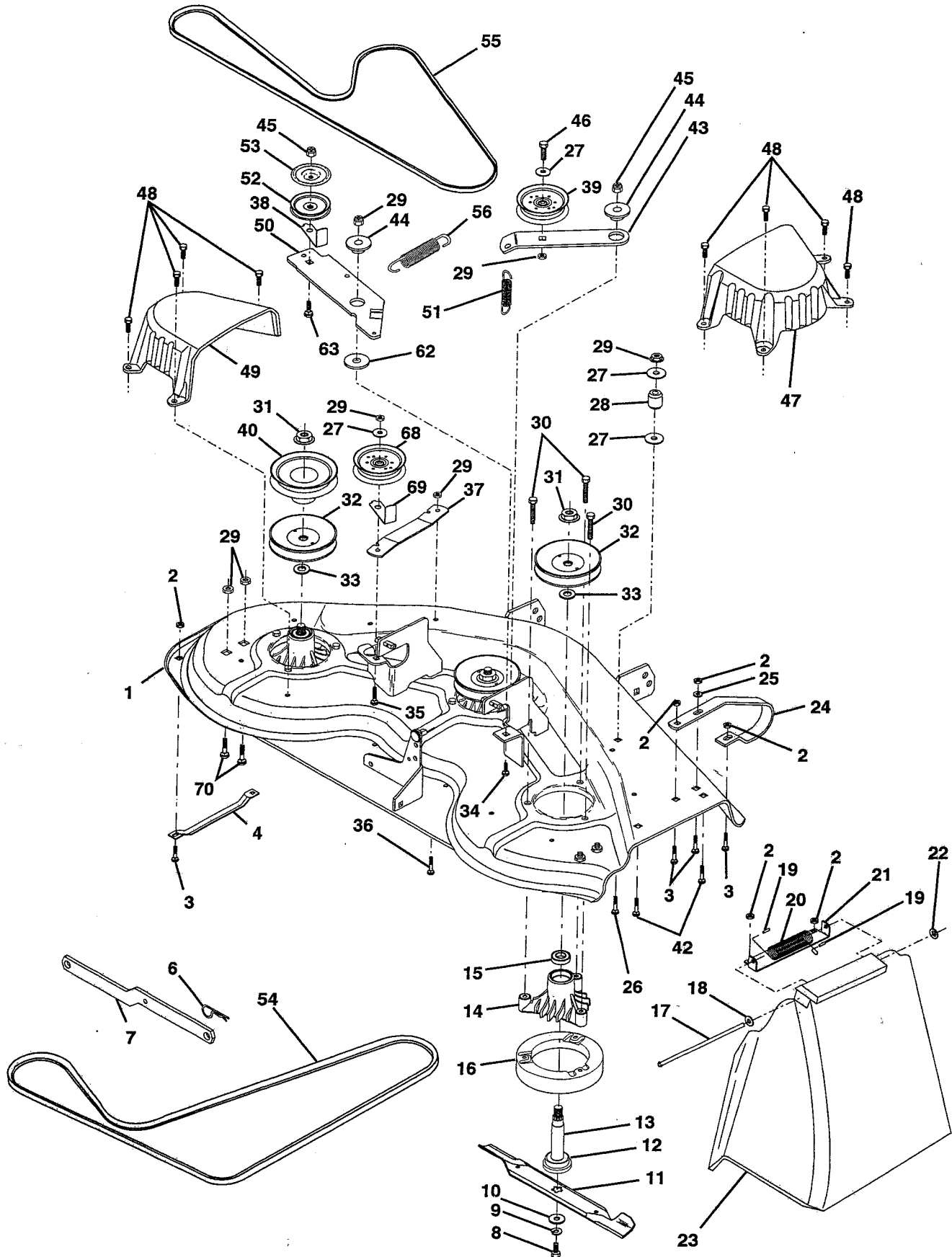


REPAIR PARTS

REPLACEMENT MOWER DECK 44" & 50"

MOWER DECK



REPAIR PARTS

REPLACEMENT MOWER DECK 44" & 50"

MOWER DECK

KEY NO.	PART NO.	DESCRIPTION	KEY NO.	PART NO.	DESCRIPTION
1	140579	Deck Weldment, Mower 44" Vented	34	72140610	Bolt, Carriage 3/8-16 x 1-1/4
1	136457	Deck Weldment, Mower 50" Vented	35	72110616	Bolt, Carriage 3/8-16 x 2
2	73800500	Locknut, Hex W/Ins 5/16-18 Unc	36	72110608	Bolt, Carriage 3/8-16 x 1 Gr. 5
3	72110506	Bolt, Carriage 5/16-18 x 3/4	37	137166	Stiffener, Arm Idler
4	7631J	Runner, Mower LH	38	137554	Keeper, Belt Idler
6	4939M	Retainer, Spring	39	131494	Pulley, Idler Flat
7	130832	Arm Suspension, Rear	40	136572	Pulley, Driven
8	850857	Bolt 3/8-24 x 1.25 Gr. 8 Patched	42	72140506	Bolt, Carriage 5/16-18 Unc x 3/4
9	10030600	Washer, Lock Hvy 3/8 Unplated	43	136460	Arm, Idler Secondary
10	140296	Washer, Hard Blade Mower Vented	44	122052X	Spacer, Retainer
11	130652	Blade 44"	45	73680600	Nut, Crownlock 3/8-16 Unc
11	137380	Blade 50"	46	74760628	Bolt, Fin Hex 3/8-16 Unc x 1-3/4
12	129895	Bearing, Ball #6204 (Mandrel)	47	137200	Cover, Mandrel RH
13	137553	Shaft Asm., W/Lower Brg (Includes Key No. 12)	48	137729	Screw, Thd Roll 1/4-20 x 5/8
14	137152	Housing, Mandrel 44" Vent	49	136574	Cover, Mandrel LH
15	110485X	Bearing, Ball Mandrel	50	137272	Arm, Idler Primary
16	140329	Stripper, Mower Vented	51	137273	Spring, Secondary
17	106735X	Rod, Hinge	52	139245	Pulley, Idler V Groove
18	19111016	Washer 11/32 x 5/8 x 16 Ga.	53	137789	Shield, Idler
19	105304X	Cap, Sleeve	54	137675	V-Belt, Mower Primary 44"
20	123713X	Spring, Torsion Deflector	54	139573	V-Belt, Mower Primary 50"
21	137607	Bracket, Deflector	55	131290	V-Belt, Mower Secondary 44"
22	110452X	Nut, Push	55	138255	V-Belt, Mower Secondary 50"
23	109785X	Shield, Deflector Mower 44"	56	138687	Spring, Primary
23	110509X	Shield, Deflector Mower 50"	57	136577	Bar Asm., Wheel Gauge
24	136321	Runner, RH 44"	58	133957	Wheel, Gauge
24	136320	Runner, RH 50"	59	137644	Bolt, Shoulder
25	19111216	Washer 11/32 x 3/4 x 16 Ga.	60	139031	Pin, Clevis
26	72110614	Bolt, Carriage 3/8-16 x 1-3/4 Gr. 5	61	136573	Bracket, Wheel Gauge
27	19131316	Washer 13/32 x 13/16 x 16 Ga.	62	133943	Washer Hardened
28	132823	Spacer, Spring Stop Idler	63	72110612	Bolt, Carriage 3/8-16 x 1-1/2
29	73800600	Nut, Lock Hex W/Wsh 3/8-16 Unc	64	19121414	Washer 3/8 x 7/8 x 14 Ga.
30	138776	Screw, Thdrol. Hex Head	67	73930600	Nut, Centerlock 3/8-16
31	137266	Nut, Fig Top Lock Cntr 9/16	68	131494	Pulley Idler Flat 44"
32	129861	Pulley, Mandrel	68	102403X	Pulley Idler Flat 50"
33	129963	Washer, Spacer Mower Vented	69	137554	Keeper, Belt Idler 44"
			69	139622	Keeper, Belt Idler 50"
			70	72110606	Bolt, Carriage 3/8-16 x 3/4 Gr. 5
			--	143651	Mandrel Assembly - Service (Inc. Key No's. 8-10, 12-15, 31 & 33)
			--	141054	Manual, Owner's

NOTE: All component dimensions given in U.S. inches
1 inch = 25.4 mm