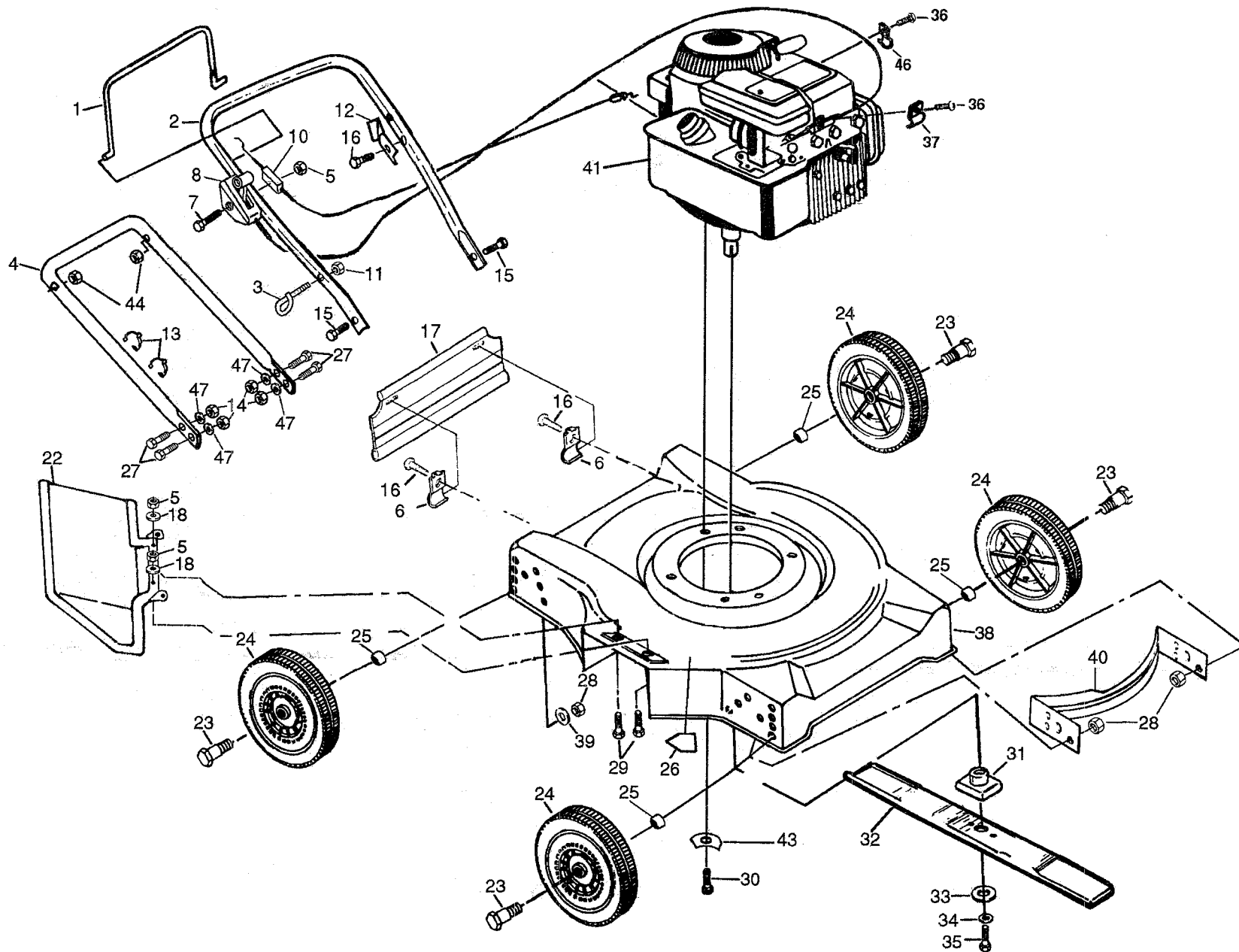


REPAIR PARTS

ROTARY LAWN MOWER -- MODEL NO. 1N101C



REPAIR PARTS

ROTARY LAWN MOWER -- MODEL NO. 1N101C

KEY PART NO.	PART NO.	DESCRIPTION	KEY PART NO.	PART NO.	DESCRIPTION	
	1	86902		30	850998	Hex Head Thread Rolling Screw 3/8-16 x 1-1/8
	2	132826X479		31	850977	Blade Adapter
	3	132001		32	145106	20" Blade
	4	851646X479		33	851074	Hardened Washer
	5	63601		34	850263	Helical Washer, Lock 3/8
	6	87584X004		35	851084	Hex Head Screw 3/8-24 x 1-3/8 Gr. 8
	7	144929		36	83816	Screw #10 x 5/8
532 -	8	131922		37	213146	* Cable Clamp
	10	851809		38	701106	Lawn Mower Housing Kit
	11	63601		39	61537	Washer
	12	850733X004		40	700839X479	Front Baffle
	13	66426		41	-----	* Engine - Briggs & Stratton Model No. 95902
	14	132010		43	851201X004	Engine Washer
	15	74350424		44	132004	Hex Nut 1/4-20
	16	750097		46	850472	Cable Clip
	17	140541		47	55611	Washer
	18	53847		--	145653	Operator's Manual
	22	752052		--	149766	Repair Parts Manual
	23	67609				
	24	130491				
	25	136624				
	26	107339X				
	27	137009				
	28	751592				
	29	74760412				

Available accessories not included with lawn mower:

-- GCK 2200 Grass Catcher

NOTE: All component dimensions given in U.S. inches.
1 inch = 25.4 mm

* These parts must be purchased through an authorized Briggs & Stratton Dealer.