

22" ROTARY LAWN MOWER MODEL NO. 56sf

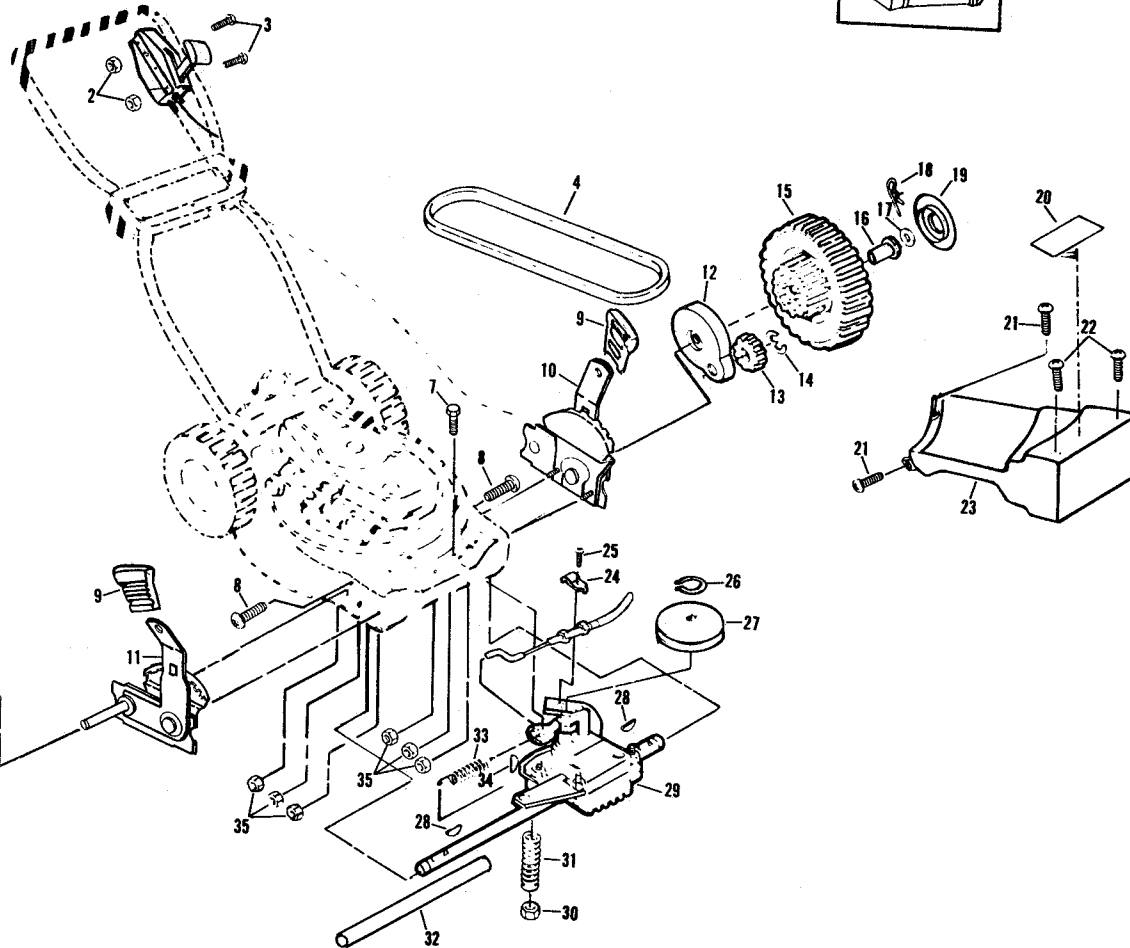
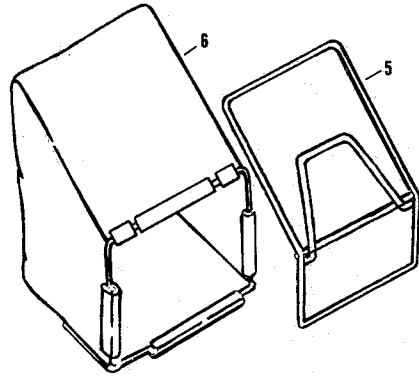
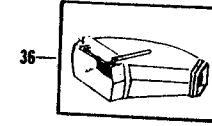
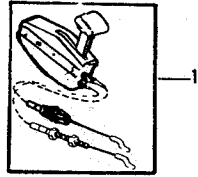
PRODUCT NO. 954 05 08-01

REPAIR PARTS

Rev. 0

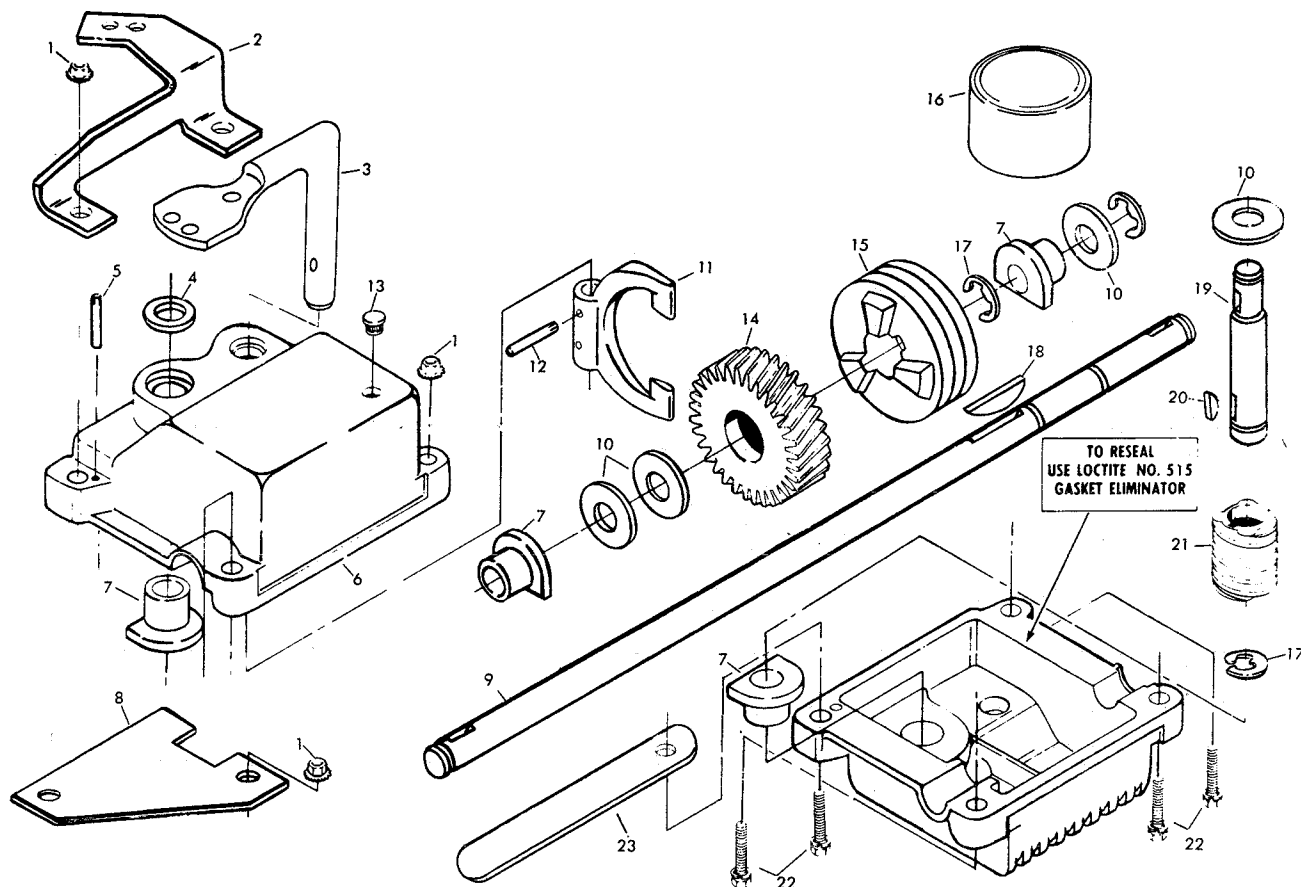
Ref. No.	Part No.	Part Name	Ref. No.	Part No.	Part Name
1	532 85 07-91	Control Bar	39	532 80 03-68	Wheel Adjusting Bracket (Right Rear)
2	532 85 07-24	Handle Grip	40	532 08 49-20	Spacer
3	532 85 10-30	Upper Handle	41	532 08 83-48	Washer
4	532 06 36-01	Locknut 1/4-20	42	532 85 08-63	Selector Spring
5	532 08 57-23	Washer	43	532 07 78-65	Selector Knob
6	532 85 14-64	Throttle Control	44	532 08 78-87	Axle Arm Assembly
7	532 80 07-85	Machine Screw 1/4-20 x 1 1/2	45	532 06 23-35	Belleville Washer
8	532 85 07-88	Trim Plate Decal	46	532 08 49-21	Shoulder Bolt 3/8-16
9	532 08 54-36	Hex Washer Head Machine Screw 1/4-20 x 1 1/2	47	532 08 69-54	Wheel & Tire Assembly 8.0 x 2.0
10	532 80 05-47	Trim Plate	48	532 05 21-60	Washer
11	532 03 69-53	Self Tapping Screw 10-24 x 5/8	49	532 08 51-79	Retainer Clip
12	532 06 36-88	Handle Knob	50	532 85 08-45	Hubcap
13	532 06 80-38	Locknut 1/4-20	51	532 75 00-97	Hex Washer Head Screw 10-24 x 1/2
14	532 80 10-97	Rear Door Kit (Incl. Ref. #16)	52	532 08 79-30	Guide Clip
15	532 80 03-57	Rope Guide	53	532 80 10-95	Lawn Mower Housing (Incl. Ref. #64)
16	532 75 03-28	Hinge Rod	54	532 85 07-95	Housing Stripe Decal
17	532 08 12-83	Self Tapping Screw 10-24 x 3/8	55	532 85 09-77	Blade Adapter
18	532 05 45-83	Hex Tapping Screw 1/4-20 x 1/2	56	532 85 09-73	22" Blade
19	532 80 10-96	Back Plate	57	532 85 10-74	Hardened Washer
20	532 08 86-52	Hinge Screw	58	532 85 02-63	Helical Lockwasher 3/8
21	532 04 19-45	Truss Head Screw 10-24 x 1/2	59	532 85 10-84	Hex Head Screw 3/8-24 x 1 3/8
22	532 08 75-97	Rear Baffle	60	532 08 75-88	Front Baffle
23	532 06 91-80	Locknut 10-24	61	532 85 12-19	Engine Washer
24	532 08 63-44	Hex Head Screw 10-24 x 1/2	62	532 85 10-00	Belt Snubber
25	532 80 10-12	Discharge Baffle	63	532 85 09-98	Hex Head Thread Rolling Screw 3/8-16 x 1
26	532 75 04-81	Side Baffle	64	532 10 73-39	Danger Decal
27	532 80 04-82	Lower Handle	65	532 06 62-38	Carriage Bolt 5/16-18 x 5/8
28	532 05 87-14	Handle Bolt	66	532 07 44-00	Locknut 3/8-16
29	532 06 64-26	Wire Tie	67	*532 09 37-05	Screw 8-32 x 3/8
30	532 05 17-93	Hairpin Cotter	68	*532 22 33-89	Muffler Deflector
31	532 75 10-83	Rear Skirt	69	532 10 74-88	Thread Rolling Screw 10-32 x 5/8
32	532 08 45-96	Engine Pulley	70	*532 21 31-46	Cable Clamp
33	532 05 97-08	Set Screw 1/4-20 x 5/16	71	532 08 76-77	Hi-Pro Key #HP-505
34	532 85 07-85	Handle Bracket Assembly (Left)	72	532 80 05-69	Engine Decal
35	532 85 07-84	Handle Bracket Assembly (Right)	73	*	Engine - Briggs/Stratton Model No. 124702 Type No. 3188-01
36	532 05 51-87	Thread Cutting Screw 5/16-18 x 3/4			Owners Manual
37	532 06 31-24	Locknut 5/16-18			
38	532 80 03-70	Wheel Adjusting Bracket (Left Rear)			

*These Parts must be purchased through an authorized Briggs and Stratton Dealer.



Ref. No.	Part No.	Part Name	Ref. No.	Part No.	Part Name
1	532 80 03-41	Dual Head Drive Control Cable	20	532 80 05-74	Drive Cover Decal
2	532 05 34-90	Locknut 1/4-20	21	532 75 00-97	Hex Washer Head Screw 10-24 x 1/2
3	532 08 56-92	Machine Screw 1/4-20 x 2 1/8	22	532 08 78-66	Pan Head Tapping Screw 10-24
4	532 08 36-91	V-Belt			x 2 3/4
5	532 80 03-93	Catcher Frame	23	532 85 08-25	Drive Cover
6	532 80 03-86	Grass Bag Assembly	24	532 08 37-00	Cable Clamp
7	532 05 43-38	Hex Head Bolt 1/4-20 x 2 3/4	25	532 05 45-62	Pan Head Self Tapping Screw 10-24
8	532 06 15-28	Flat Head Machine Screw 1/4-20 x 3/4			x 3/8
9	532 07 78-65	Selector Knob	26	532 07 49-76	Retaining Ring
10	532 80 03-63	Wheel Adjuster Assembly (Left)	27	532 08 36-81	Drive Pulley
11	532 80 03-66	Wheel Adjuster Assembly (Right)	28	532 06 56-92	Woodruff Key #3
12	532 07 64-01	Dust Cover	29	532 04 81-84	Gear Case Assembly
13	532 07 45-07	Pinion	30	532 06 80-38	Locknut 1/4-20
14	532 05 37-53	E-Ring	31	532 08 36-32	Spring
15	532 08 69-43	Wheel & Tire Assembly 9.0 x 2.0	32	532 08 60-12	Drive Shaft Cover
16	532 08 69-60	Wheel Bushing	33	532 07 51-92	Spring
17	532 05 21-60	Washer	34	532 05 70-76	Woodruff Key #213
18	532 08 51-79	Retainer Clip	35	532 06 36-01	Locknut 1/4-20
9 19	532 85 08-44	Hubcap	36		(MA35) Clipping Deflector (Not Included with Lawn Mower)

GEAR CASE ASSEMBLY PART NUMBER 751001



Ref. No.	Part No.	Part Name	Ref. No.	Part No.	Part Name
1	532 05 38-38	Keps Locknut 1/4-20	12	532 08 78-22	Grooved Pin 1/8 x 3/4
2	532 08 51-78	Adjusting Bracket	13	532 08 64-47	Plug
3	532 08 83-86	Shifter Assembly	14	532 08 36-59	Helical Gear
4	532 05 70-72	Seal	15	532 75 04-36	Jaw Clutch
5	532 05 73-88	Grooved Pin 1/8 x 1/2	16	532 75 03-55	Grease
6	532 04 80-32	Gear Case Halves (Inc. Upper & Lower Halves) (Incl. Ref. 4, 5, 7)	17	532 05 37-53	E-Ring
7	532 07 78-81	Bearing	18	532 85 08-48	Hi-Pro Key
8	532 07 70-39	Spring Bracket	19	532 08 37-20	Worm Shaft
9	532 75 04-30	Drive Shaft	20	532 06 56-92	Woodruff Key #3
10	532 05 70-79	Hardened Washer	21	532 08 36-80	Worm
11	532 07 51-44	Yoke Clutch	22	532 05 09-50	Hex Head Mach. Screw 1/4-20 x 1 1/4
			23	532 75 10-46	Identification Tag