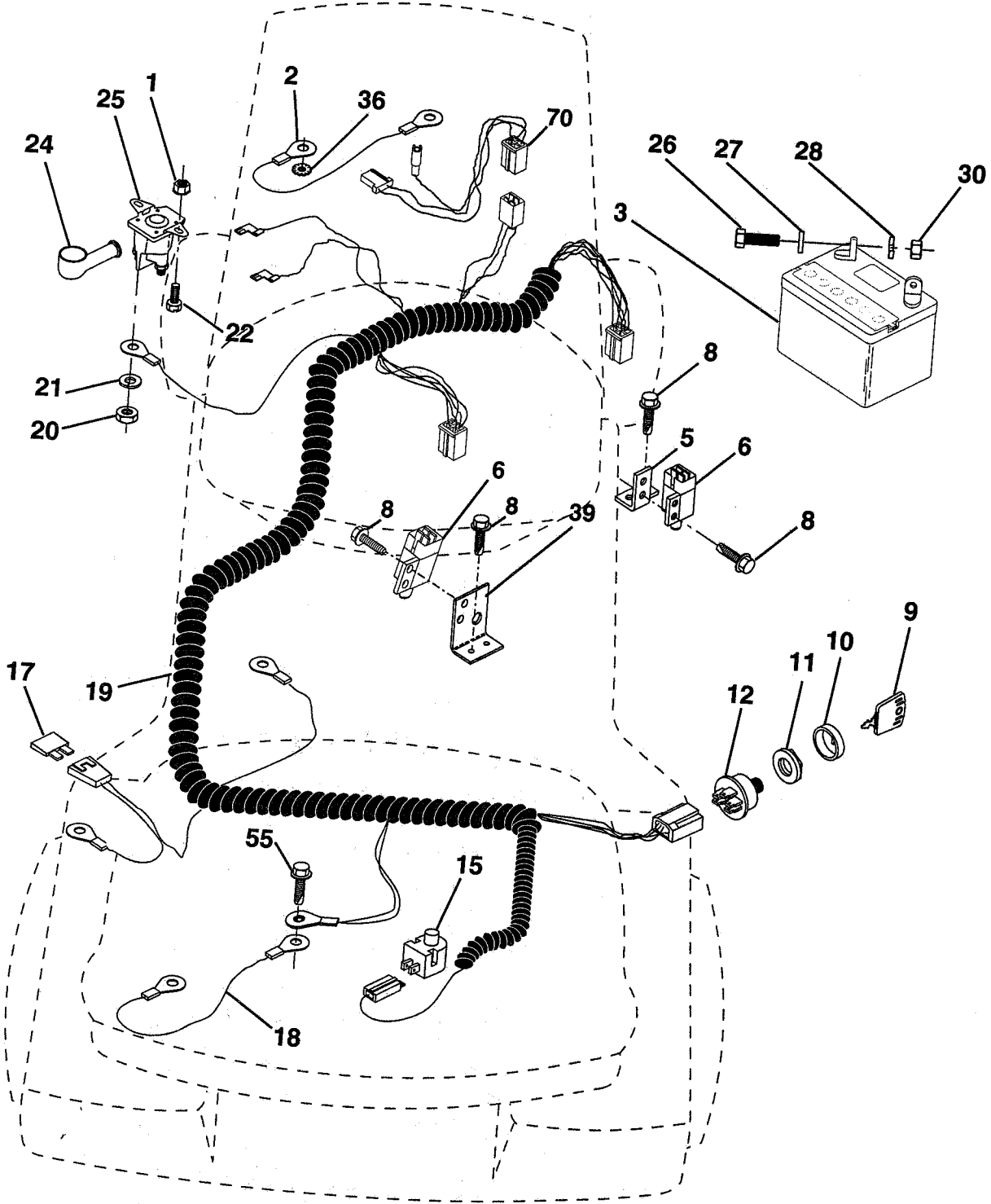


REPAIR PARTS

TRACTOR -- MODEL NUMBER 6A1A1C

ELECTRICAL



REPAIR PARTS

TRACTOR - - MODEL NUMBER 6A1A1C

ELECTRICAL

KEY NO.	PART NO.	DESCRIPTION
1	73640400	Nut, Hex, Keps 1/4-20
2	108423X	Assembly, Cable
3	144924	Battery
5	108236X	Bracket, Switch
6	109553X	Switch, Interlock, 4 Terminal
8	17021008	Screw, Hex Head, Self-Tapping #10-24 x 1/2
9	140402	Key, Molded
10	141226	Cover, Ignition Key
11	140400	Nut, Ignition
12	144921	Switch, Ignition
15	121305X	Switch, Plunger
17	108824X	Fuse
18	128353	Assembly, Cable
19	146063	Harness, Ignition
20	73350400	Nut, Hex, Jam 1/4-20
21	10090400	Washer, Lock 1/4
22	71110408	Bolt, Hex, Fin. 1/4-20 UNC x 1/2 Grade 5
24	131563	Cover, Terminal
25	145673	Solenoid
26	74760412	Bolt, Hex Head 1/4-20 UNC x 3/4
27	19091016	Washer 9/32 x 5/8 x 16 Gauge
28	10040400	Washer, Lock 1/4
30	73220400	Nut, Hex, Fin. 1/4-20 UNC
36	11150400	Washer, Lock, Internal Tooth 1/4
39	141735	Bracket Switch Clutch
55	17490508	Screw, Thdrol. 5/16-18 x 1/2
70	140413	Harness Engine

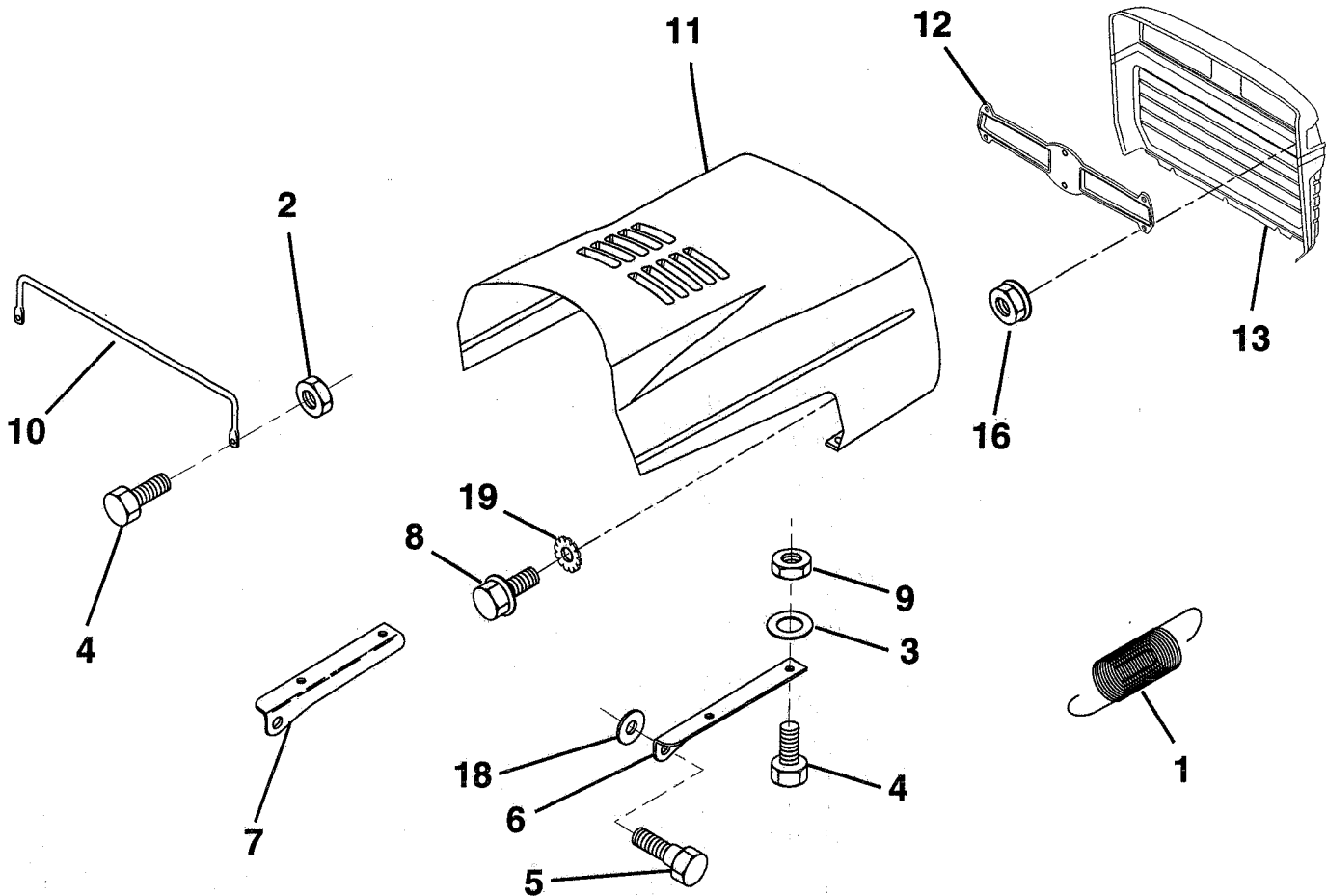
NOTE: All component dimensions given in U.S. inches
1 inch = 25.4 mm

HARDWARE SHOWN LARGER FOR EASIER IDENTIFICATION

REPAIR PARTS

TRACTOR -- MODEL NUMBER 6A1A1C

HOOD



KEY NO.	PART NO.	DESCRIPTION
1	124657X	Spring, Extension
2	73640400	Nut, Hex, Keps 1/4-20 UNC
3	19091416	Washer 9/32 x 7/8 x 16 Ga.
4	74780412	Bolt, Hex, Fin 1/4-20 x 3/4 Grade 5
5	139888	Bolt, Shoulder
6	122549X	Bracket, Hood, R.H.
7	122548X	Bracket, Hood, L.H.
8	17521312	Screw, Slt'd. Hex Hd. W/Pl. Washer
9	73800400	Nut, Lock W/Insert 1/4-20

KEY NO.	PART NO.	DESCRIPTION
10	123693X	Brace, Hood
11	132918X505	Hood
12	127178	Lens
13	134232X428	Grill
16	124346X	Nut, Self-Threading 3/16
18	19111116	Washer 11/32 x 11/16 x 16 Ga.
19	11030400	Washer, Lock Ext/Int Tooth 1/4

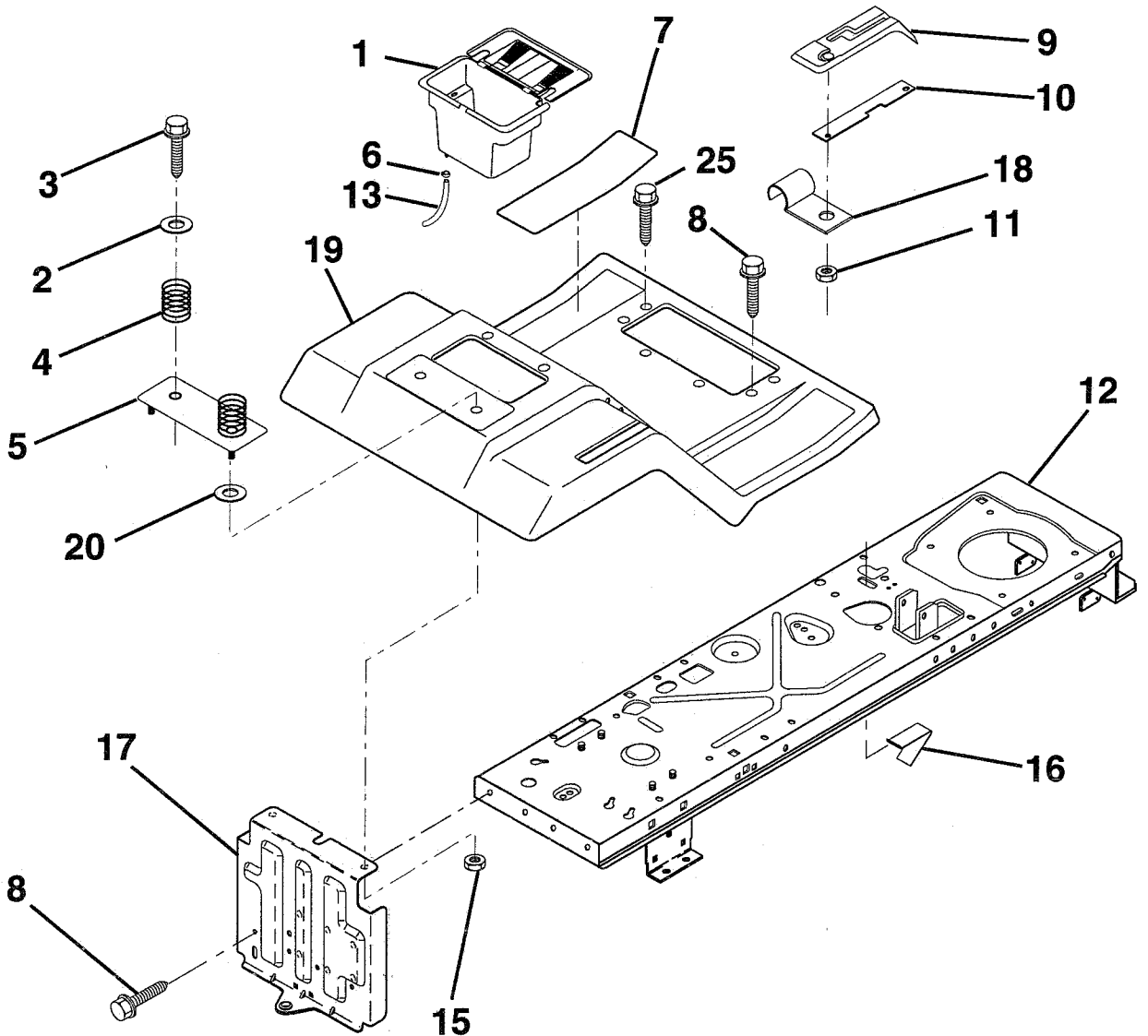
NOTE: All component dimensions given in U.S. inches.
1 inch = 25.4 mm.

HARDWARE SHOWN LARGER FOR EASIER IDENTIFICATION

REPAIR PARTS

TRACTOR - - MODEL NUMBER 6A1A1C

FENDER / CHASSIS



KEY NO.	PART NO.	DESCRIPTION	KEY NO.	PART NO.	DESCRIPTION
1	129965	Case, Battery	11	124346X	Nut, Self-Threading 3/16
2	19132012	Washer 13/32 x 1-1/4 x 12 Gauge	12	145190	Chassis Assembly, Weldment
3	17490612	Screw, Hex Washer Head, Thd. Roll. 3/8-16 x 3/4	13	109238X	Tube, Battery Drain
4	124181X	Spring, Compression, Seat	15	73640400	Nut, Hex, Keps 1/4-20
5	127115X505	Plate, Battery	16	141736	Switch, Actuator
6	109596X	Clamp, Hose	17	140782	Drawbar
7	124144X	Pad, Footrest	18	126470X	Clip, Insulated
8	17490512	Screw, Hex Washer Head, Thd. Roll. 5/16-18 x 3/4	19	140955X505	Fender/Footrest
9	126993X	Console, Shift Control	20	19091413	Washer 9/32 x 7/8 x 13 Gauge
10	139783	Bar, Shift Lock	25	17190516	Scr. Hx S.T. 5/16-18

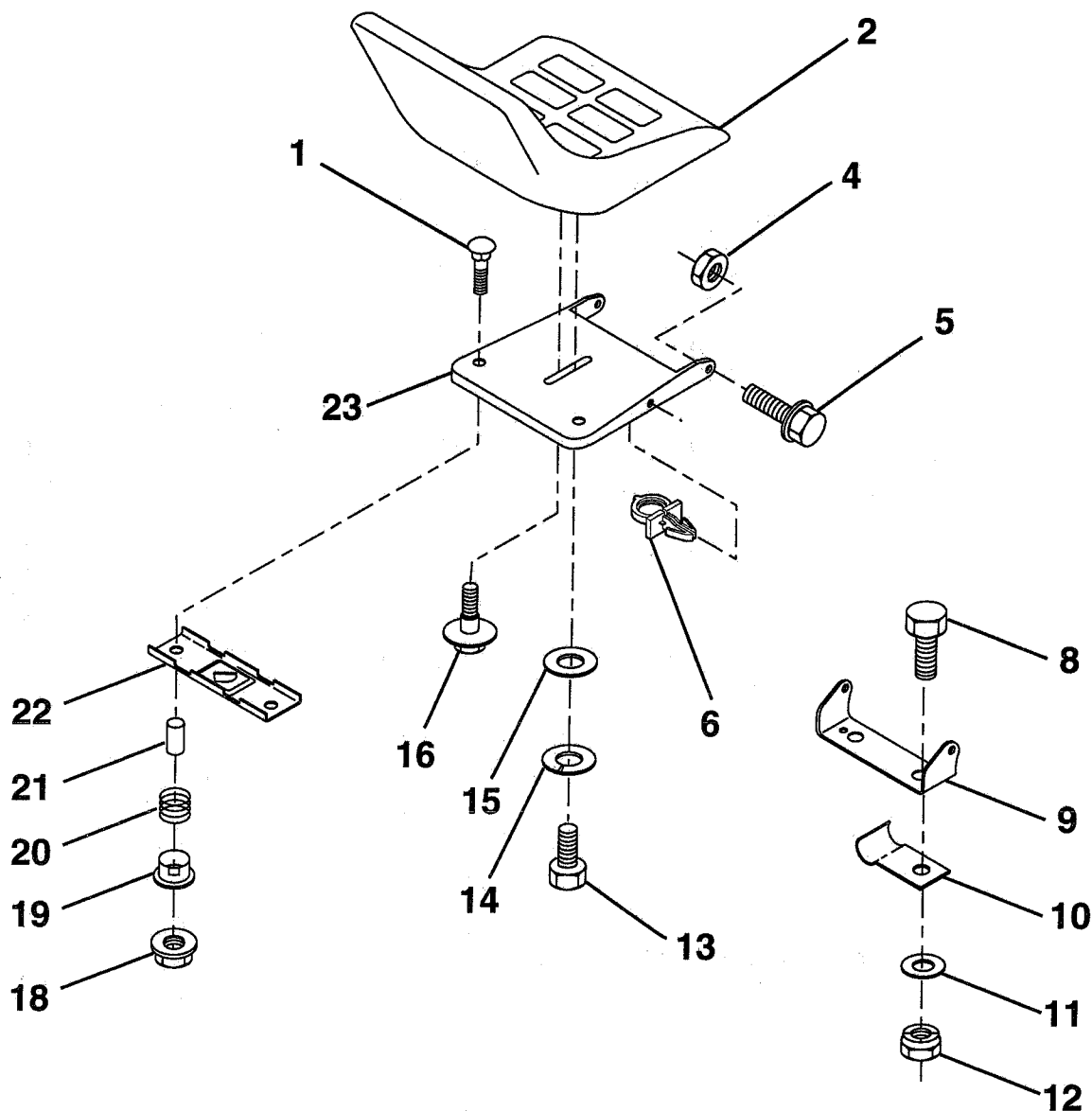
NOTE: All component dimensions given in U.S. inches
1 inch = 25.4 mm.

HARDWARE SHOWN LARGER FOR EASIER IDENTIFICATION

REPAIR PARTS

TRACTOR -- MODEL NUMBER 6A1A1C

SEAT



KEY NO.	PART NO.	DESCRIPTION
1	72050411	Bolt, Carriage 1/4-20 x 1-3/8
2	134647	Seat
4	73800500	Nut, Lock Hex W/Ins. 5/16-18
5	139888	Bolt, Shld. 5/16-18
6	145006	Clip, Push-In
8	74760616	Bolt, Hex, Fin 3/8-16 UNC x 1
9	140551	Bracket, Pivot, Seat
10	126471X	Clip, Insulated
11	19133210	Washer 13/32 x 2 x 10 Gauge
12	73800600	Nut, Lock Hex W/Wsh 3/8-16
13	74780814	Bolt, Fin Hex 1/2 - 13 x 7/8 Gr. 5

KEY NO.	PART NO.	DESCRIPTION
14	10040800	Washer Lock Hvy HLCL Spr. 1/2
15	19171912	Washer 17/32 x 13/16 x 12 Gauge
16	127018X	Bolt, Shoulder
18	123976X	Locknut, Hex, Large, Flange
19	121248X	Bushing, Snap
20	121250X	Spring, Compression
21	134300	Spacer, Split, Large .28 Id. x .96
22	121246X	Bracket, Switch, Mounting
23	140552	Pan, Seat

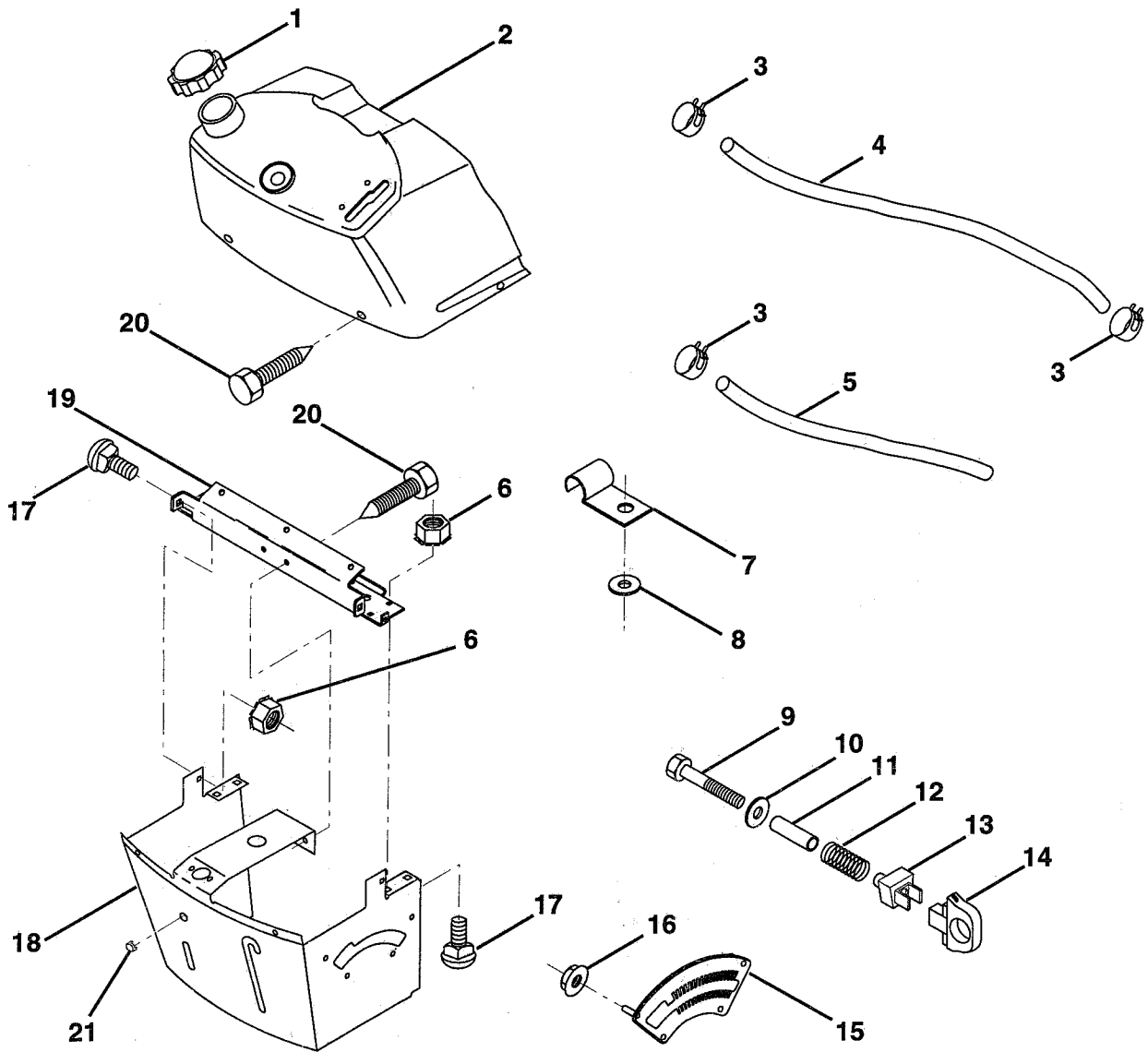
NOTE: All component dimensions given in U.S. inches.
1 inch = 25.4 mm.

HARDWARE SHOWN LARGER FOR EASIER IDENTIFICATION

REPAIR PARTS

TRACTOR -- MODEL NUMBER 6A1A1C

DASH



KEY NO.	PART NO.	DESCRIPTION
1	141523	Cap, Fuel
2	138393	Assembly, Dash & Fuel Tank
3	123487X	Clamp, Hose
4	8544R	Line, Fuel
5	8548R	Line, Fuel
6	73640400	Nut, Hex, Keps 1/4-20
7	2751R	Clip, Fuel Line
8	19091216	Washer 9/32 x 3/4 x 16 Gauge
9	74760428	Bolt, Hex, Fin. 1/4-20 x 1-3/4
10	19091413	Washer 11/32 x 11/16 x 16 Gauge
11	121249X	Spacer, Split

KEY NO.	PART NO.	DESCRIPTION
12	3720R	Spring
13	126450X	Clip, Height Adjustment
14	126115X	Knob, Height Stop
15	122023X	Adjustment, Quadrant Height
16	124346X	Nut, Self-Threading 3/16-18
17	72110404	Bolt, Carriage 1/4-20 x 1/2 Grade 5
18	130745	Support Assembly, Dash
19	134744	Brace, Cross
20	17060408	Screw, Tap 1/4-20 x 1/2
21	134014	Plug, Dome

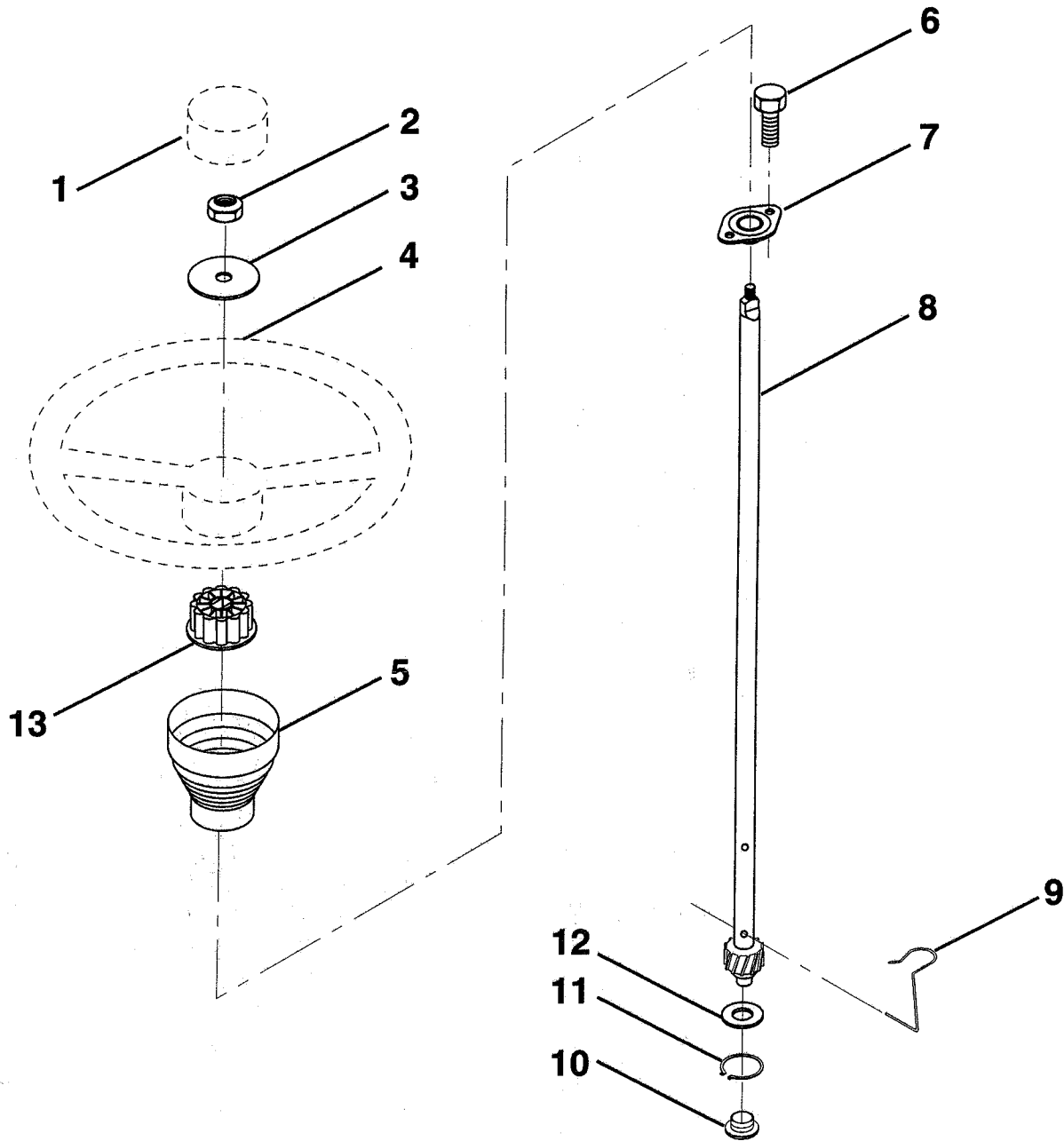
NOTE: All component dimensions given in U.S. inches
1 inch = 25.4 mm.

HARDWARE SHOWN LARGER FOR EASIER IDENTIFICATION

REPAIR PARTS

TRACTOR -- MODEL NUMBER 6A1A1C

STEERING WHEEL



KEY NO.	PART NO.	DESCRIPTION
1	133742	Insert, Steering Wheel
2	7810H	Locknut 3/8-24 UNF
3	19133808	Washer 13/32 x 2-3/8 x 8 Ga.
4	133741	Wheel, Steering
5	121897X	Sleeve, Steering
6	17431008	Screw, Hex Self-Tapping #10-16 x 1/2
7	102803X	Bushing, Steering

KEY NO.	PART NO.	DESCRIPTION
8	123651X	Shaft, Steering
9	124210X	Clip, Steering
10	123438X	Bushing, Lower, Steering
11	1200045	Ring, Retaining
12	19211616	Washer 21/32 x 1 x 16 Ga.
13	104820X	Adaptor, Steering Wheel

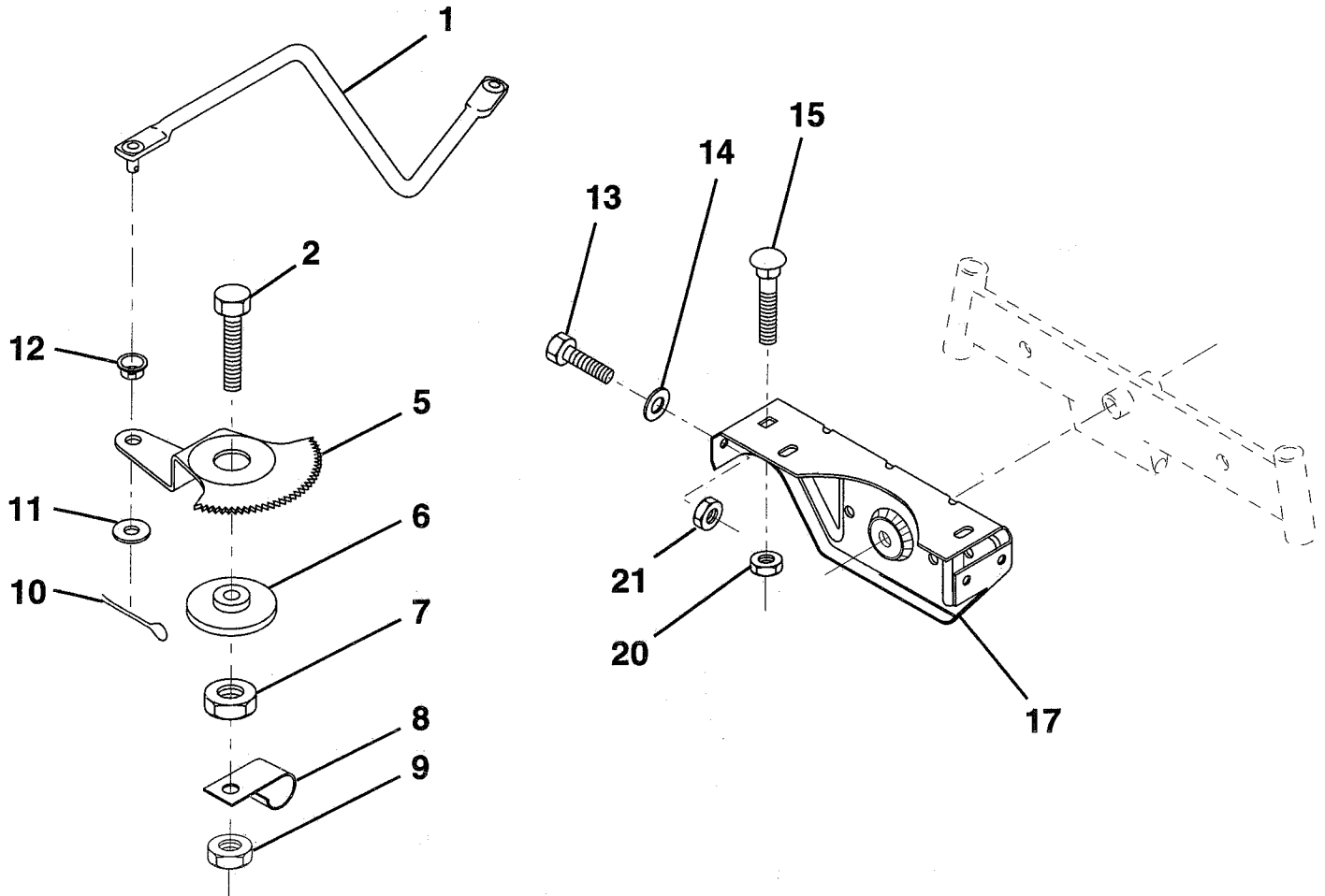
NOTE: All component dimensions given in U.S. inches
1 inch = 25.4 mm.

HARDWARE SHOWN LARGER FOR EASIER IDENTIFICATION

REPAIR PARTS

TRACTOR - - MODEL NUMBER 6A1A1C

SECTOR GEAR / AXLE SUPPORT



KEY NO.	PART NO.	DESCRIPTION
1	132566	Link, Drag
2	74780828	Bolt, Hex, Fin 1/2-13 x 1-3/4
5	121926X	Gear, Sector
6	121927X	Bushing
7	73030800	Nut, Heavy, Hex, Top Lock 1/2-13 UNC
8	126472X	Clip, Wire
9	73680800	Nut, Crownlock 1/2-13
10	76020412	Pin, Cotter 1/8 x 3/4
11	19131316	Washer 13/32 x 13/16 x 16 Ga.

KEY NO.	PART NO.	DESCRIPTION
12	126847X	Bushing
13	74760512	Bolt, Hex 5/16-18 x 3/4
14	19111416	Washer 11/32 x 7/8 x 16 Ga.
15	72110606	Bolt, Carriage 3/8-16 UNC x 3/4
17	137096	Support, Front Axle
20	73680600	Nut, Crownlock 3/8-16 UNC
21	73680500	Nut, Crownlock 5/16-18

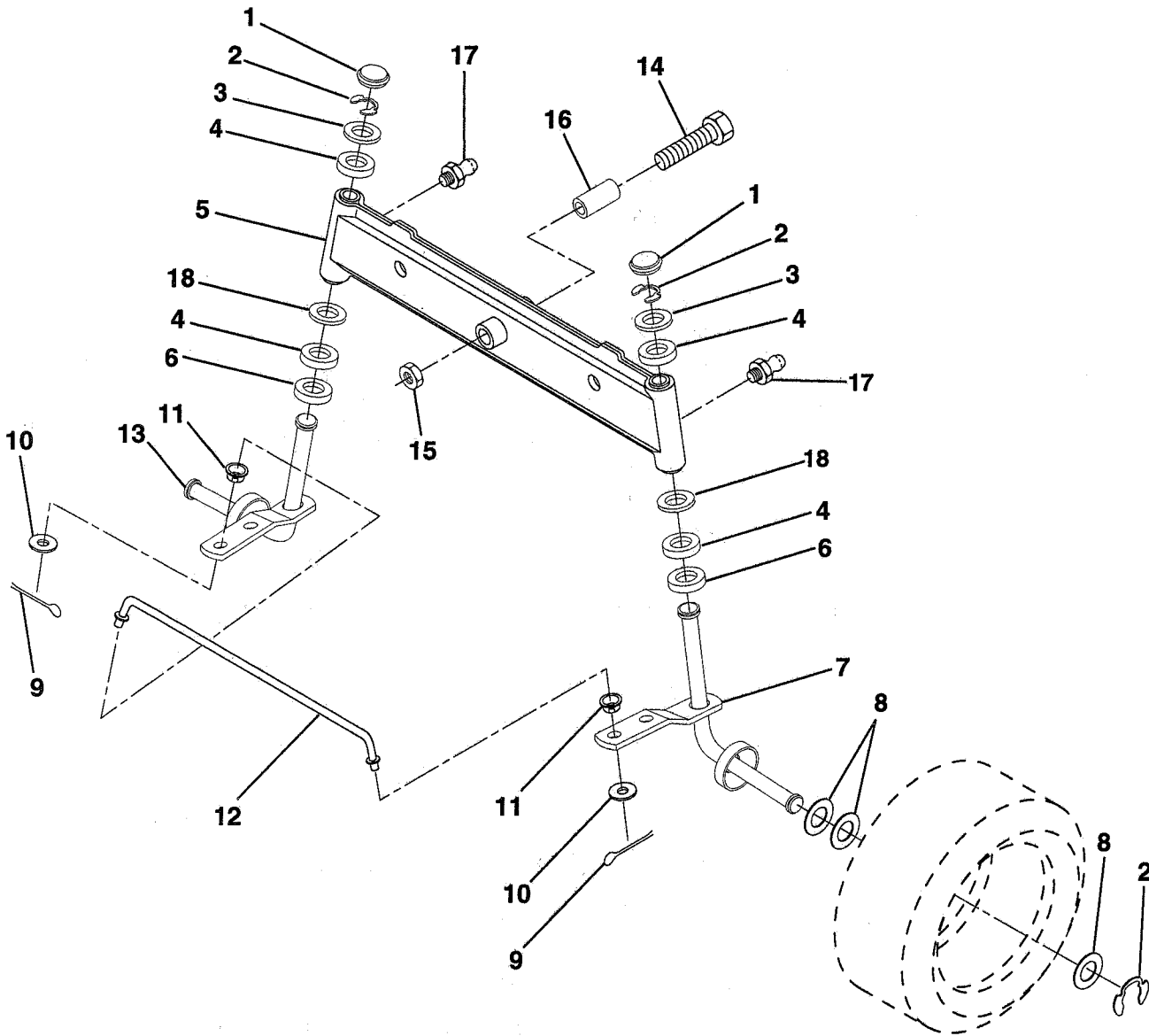
NOTE: All component dimensions given in U.S. inches
1 inch = 25.4 mm.

HARDWARE SHOWN LARGER FOR EASIER IDENTIFICATION

REPAIR PARTS

TRACTOR -- MODEL NUMBER 6A1A1C

FRONT AXLE



KEY NO.	PART NO.	DESCRIPTION
1	121232X	Cap, Spindle
2	12000029	Ring, Klip
3	121748X	Washer 25/32 x 1-5/8 x 16 Gauge
4	3366R	Bearing
5	142033	Axle, Front
6	6266H	Bearing, Thrust
7	137062	Spindle Assembly, R.H.
8	121749X	Washer 25/32 x 1-1/4 x 16 Gauge
9	76020412	Pin, Cotter 1/8 x 3/4
10	19131316	Washer 13/32 x 13/16 x 16 Gauge

KEY NO.	PART NO.	DESCRIPTION
11	126847X	Bushing
12	130465	Rod, Tie
13	137061	Spindle Assembly, L.H.
14	74011056	Bolt, Hex 5/8-11 x 3-1/2
15	73901000	Nut, Lock Flange 5/8-11
16	110438X	Spacer
17	6855M	Fitting, Grease
18	19272016	Washer 27/32 x 1-1/4 x 16 Ga.

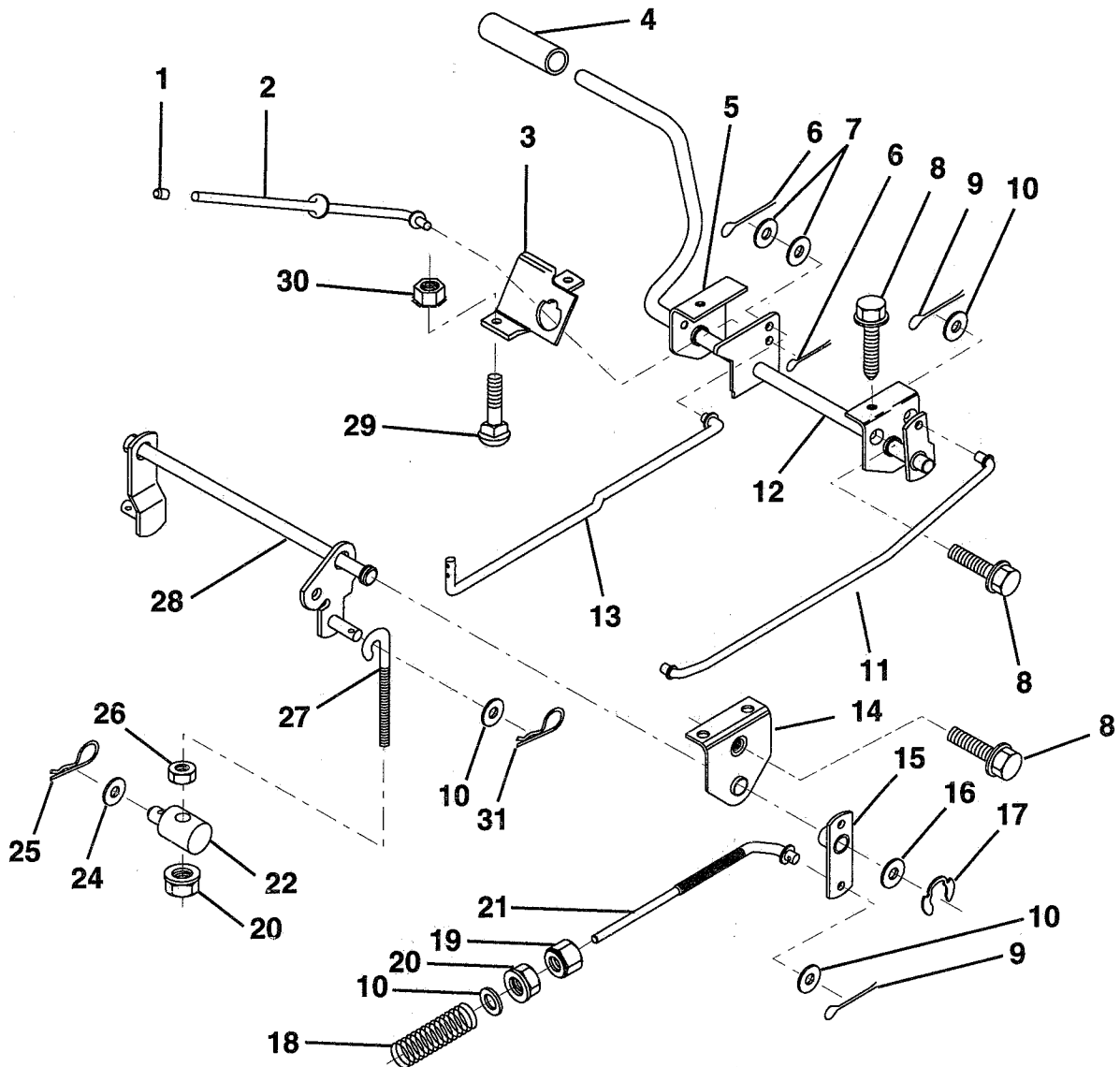
NOTE: All component dimensions given in U.S. inches
1 inch = 25.4 mm.

HARDWARE SHOWN LARGER FOR EASIER IDENTIFICATION

REPAIR PARTS

TRACTOR - - MODEL NUMBER 6A1A1C

BRAKE / REAR MOWER LIFT ASSEMBLY



KEY NO.	PART NO.	DESCRIPTION
1	71673	Cap, Parking Brake
2	123436X	Rod, Parking Brake
3	123437X	Bracket, Parking Brake
4	8156H	Cover, Pedal
5	122504X	Bracket, Pedal, Clutch LH
6	76020312	Pin, Cotter 3/32 x 3/4
7	19131016	Washer 13/32 x 5/8 x 16 Gauge
8	17490508	Screw, Hex, Thd. Roll. 5/16-18 x 1/2
9	76020412	Pin, Cotter 1/8 x 3/4
10	19131316	Washer 13/32 x 13/16 x 16 Gauge
11	123543X	Rod, Front Brake
12	139933	Assembly, Clutch/Brake Pedal
13	123394X	Rod, Clutch
14	121978X	Bracket, Lift, Shaft
15	133332	Assembly, Brake, Pivot, Arm
16	19251816	Washer 25/32 x 1-1/8 x 16 Gauge

KEY NO.	PART NO.	DESCRIPTION
17	12000034	Ring, Klip
18	106888X	Spring, Brake Rod
19	73350600	Nut, Hex, Jam 3/8-16 UNC
20	73680600	Nut, Crownlock 3/8-16
21	131460	Rod, Rear Brake
22	144585	Trunnion, Lift
24	19132012	Washer 13/32 x 1-1/4 x 12 Gauge
25	4921H	Spring, Retainer
26	73930600	Nut, Centerlock 3/8-16 UNC
27	127369	Link, Threaded
28	140776	Assembly, Rear Mower Lift
29	72110506	Bolt, Carriage 5/16-18 UNC x 3/4
30	73510500	Nut, Keps 5/16-18 UNC
31	3146R	Retainer Spring

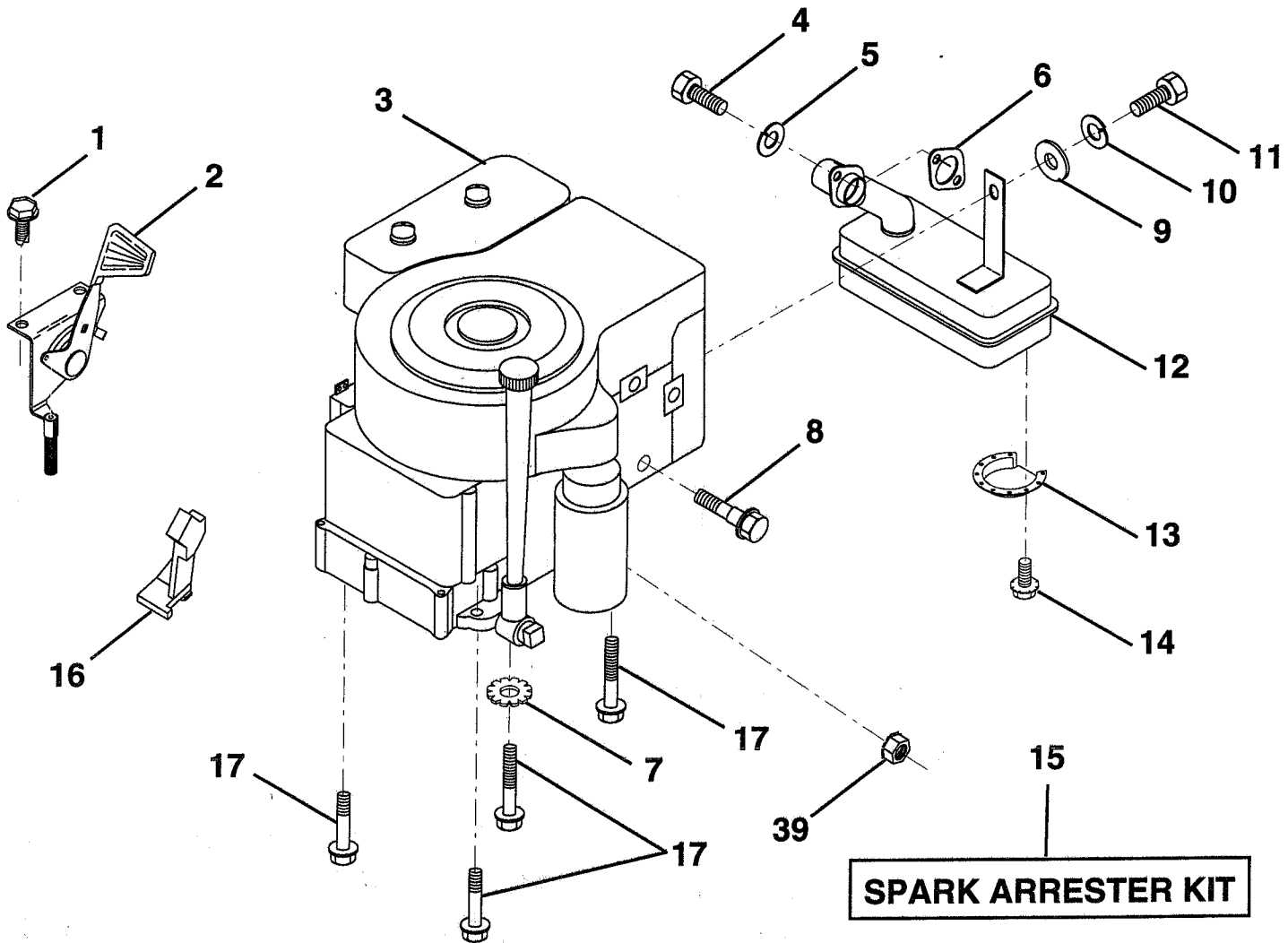
NOTE: All component dimensions given in U.S. inches
1 inch = 25.4 mm.

HARDWARE SHOWN LARGER FOR EASIER IDENTIFICATION

REPAIR PARTS

TRACTOR -- MODEL NUMBER 6A1A1C

ENGINE / THROTTLE



KEY NO.	PART NO.	DESCRIPTION
1	17060408	Screw, Hex, Thread Cutting 1/4-20 x 1/2
2	133025	Control, Throttle
3	-----	Engine, B&S, 10 HP, model #28A707
4	71070512	Screw, Hex Hd
5	10040500	Washer, Lock, Hvy Hlcl Spring 5/16
6	125593X	Gasket, Exhaust
7	11050600	Washer Lock Ext. Tooth 3/8
8	121094X	Bolt, Shoulder 5/16 UNC
9	19101216	Washer 5/16 x 3/4 x 16 Gauge
10	10040400	Washer, Lock, Hvy Helical Spr. 1/4

KEY NO.	PART NO.	DESCRIPTION
11	-----	Bolt, Hex, Fin (Order from the Engine Manufacturer)
12	137437	Muffler
13	101326L	Deflector, Muffler
14	17030808	Screw, Spiderloc Hex Hd. 8 x 1/2
15	137180	Kit, Spark Arrester (Optional)
16	127951	Stop, Choke
17	17490624	Screw, Hex Washer Head, Thd. Roll. 3/8-16 x 1-1/2
39	73510400	Nut, Keps Hex 1/4-20

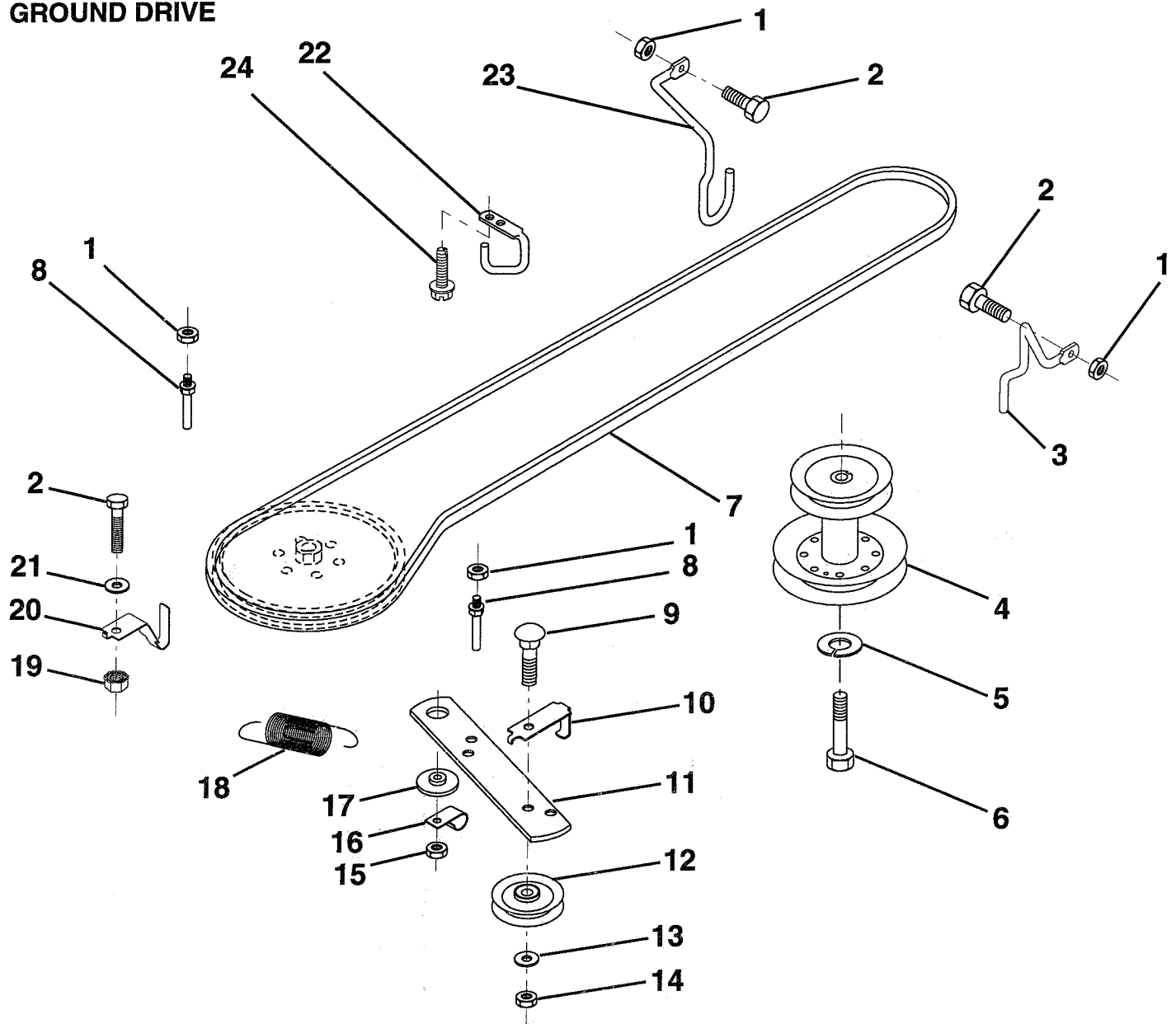
NOTE: All component dimensions given in U.S. inches
1 inch = 25.4 mm.

HARDWARE SHOWN LARGER FOR EASIER IDENTIFICATION

REPAIR PARTS

TRACTOR -- MODEL NUMBER 6A1A1C

GROUND DRIVE



KEY NO.	PART NO.	DESCRIPTION
1	73680500	Nut, Crownlock 5/16-18
2	74760512	Bolt, Hex 5/16-18 UNC x 3/4
3	141342	Keeper, Mower Drive Belt, Engine, R.H.
4	138029	Pulley, Engine
5	10040700	Washer, Lock, Heavy Helical Spring 7/16
6	71170744	Bolt, Hex, 7/16-20 x 2-3/4 Grade 5
7	124525X	Traction, V-Belt Drive
8	123405X	Keeper, T/A Ground Drive Belt
9	72140612	Bolt, Carriage 3/8-16 UNC x 1-1/2
10	123396X	Keeper, Ground Drive Belt, Idler
11	140911	Arm, Ground Drive Clutch
12	123674X	Idler, Flat
13	19131316	Washer 13/32 x 13/16 x 16 Gauge

KEY NO.	PART NO.	DESCRIPTION
14	73930600	Nut, Centerlock 3/8-16 UNC
15	73680600	Nut, Crownlock 3/8-16
16	126471X	Clip, Insulated
17	122052X	Spacer, Retainer
18	131459	Spring, Extension
19	73510500	Nut, Keps 5/16-18 UNC
20	139919	Keeper, T/A Ground Drive Belt
21	19111016	Washer 11/32 x 5/8 x 16 Gauge
22	123404X	Keeper, Ground Drive Belt, Frame
23	140916	Keeper, Mower Drive Belt, L.H.
24	17720408	Screw Thdcut 1/4-20 x 1/2

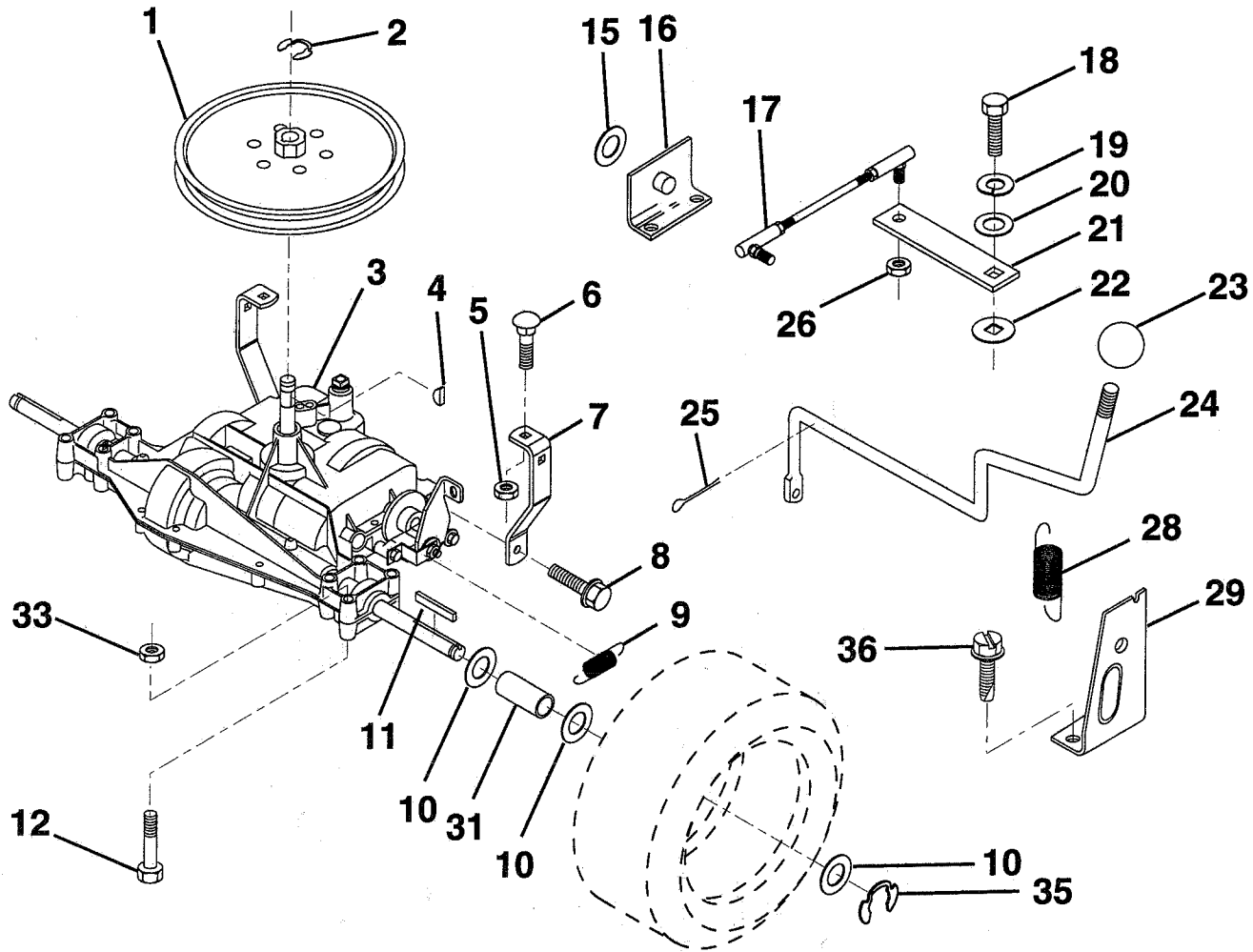
NOTE: All component dimensions given in U.S. inches
1 inch = 25.4 mm.

HARDWARE SHOWN LARGER FOR EASIER IDENTIFICATION

REPAIR PARTS

TRACTOR -- MODEL NUMBER 6A1A1C

TRANSAXLE



KEY NO.	PART NO.	DESCRIPTION
1	123385X	Pulley
2	12000028	Ring, Retainer
3	142594	Transaxle Model Number 4360-77
4	2228M	Key, Woodruff #9
5	73680500	Nut, Crownlock 5/16-18
6	72140506	Bolt, Carriage 5/16-18 UNC x 3/4
7	123378X	Strap, Torque
8	17490512	Screw 5/16-18 x 3/4
9	146682	Spring, Brake
10	121749X	Washer 25/32 x 1-1/4 x 16 Gauge
11	123583X	Key, Square
12	74760644	Bolt Fin Hex 5/16-18 x 2-1/2
15	19171616	Washer 17/32 x 16 Ga.
16	124600X	Support, Handle Shift
17	123632X	Link, Shift
18	74550412	Bolt, Hex, Fin. 1/4-28UNFx3/4 Gr. 8

KEY NO.	PART NO.	DESCRIPTION
19	10040400	Washer, Lock 1/4
20	19091210	Washer 9/32 x 3/4 x 10 Gauge
21	123484X	Arm, Shift
22	105701X	Washer, Shift Plate
23	106933X	Knob
24	128215	Rod, Shift
25	76020416	Pin, Cotter 1/8 x 1
26	73810500	Nut, Hex, Nylon 5/16-24 UNF
28	128085	Spring, Extension
29	128084	Support, Handle, Shift, R.H.
31	109502X	Spacer, Split
33	73680600	Nut, Crownlock 3/8-16
35	12000001	E-Ring
36	17720408	Screw, Thdcut. 1/4-20 x 1/2

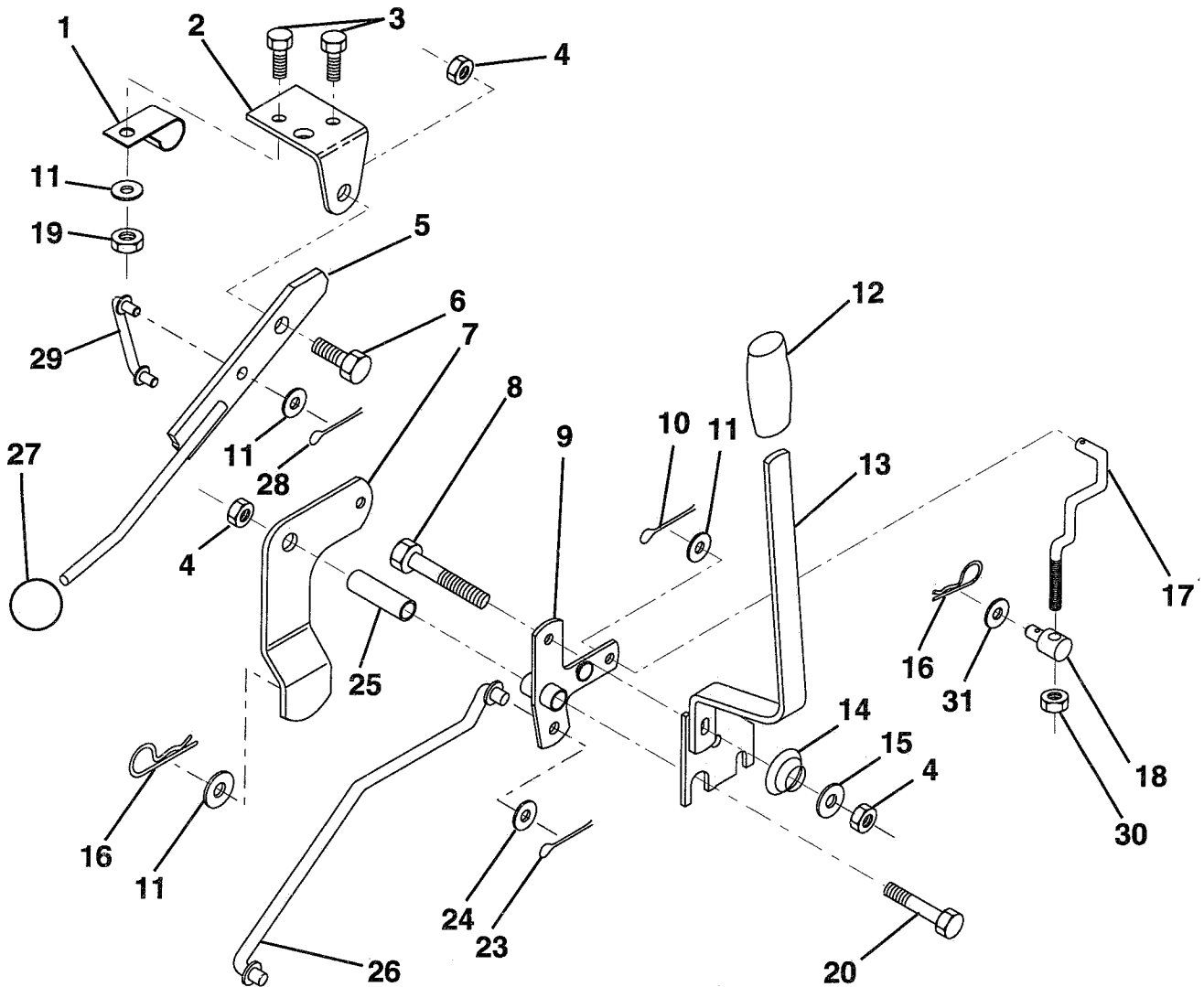
NOTE: All component dimensions given in U.S. inches.
1 inch = 25.4 mm.

HARDWARE SHOWN LARGER FOR EASIER IDENTIFICATION

REPAIR PARTS

TRACTOR -- MODEL NUMBER 6A1A1C

MOWER LIFT LEVER



KEY NO.	PART NO.	DESCRIPTION
1	126470X	Clip, Insulated
2	122018X	Bracket, Mower Clutch
3	71110408	Bolt, Hex, Fin 1/4-20 UNC x 1/2 Grade 5
4	73680600	Nut, Crownlock 3/8-16
5	145187	Assembly, Clutch Lever
6	106451X	Bolt, Shoulder
7	135371	Assembly, Mower Clutch Arm
8	74760636	Bolt, Hex 3/8-16 UNC x 2-1/4
9	121930X	Assembly, Bellcrank, Lift
10	76020412	Pin, Cotter 1/8 x 3/4
11	19131316	Washer 13/32 x 13/16 x 16 Gauge
12	131861	Sleeve, Handle
13	139352	Assembly, Lift Handle
14	123496X	Spring, Compression
15	19131212	Washer 13/32 x 3/4 x 12 Gauge

KEY NO.	PART NO.	DESCRIPTION
16	4921H	Retainer, Spring
17	127359	Link, Front Lift
18	142028	Trunnion, Threaded 3/8-16
19	73680400	Nut, Crownlock 1/4-20
20	74760644	Bolt, Hex, Fin. 3/8-16 UNC x 2-3/4
23	76020416	Pin, Cotter 1/8 x 1
24	19171612	Washer 17/32 x 1 x 12 Gauge
25	121933X	Tube, Spacer
26	141470	Rod, Mower Lift
27	106932X	Knob, Rd
28	76020312	Pin, Cotter 3/32 x 3/4
29	131655	Link, Mower Clutch
30	73350600	Nut, Hex Jam 3/8-16
31	19132012	Washer 13/32 x 1-1/4 x 12 Ga.

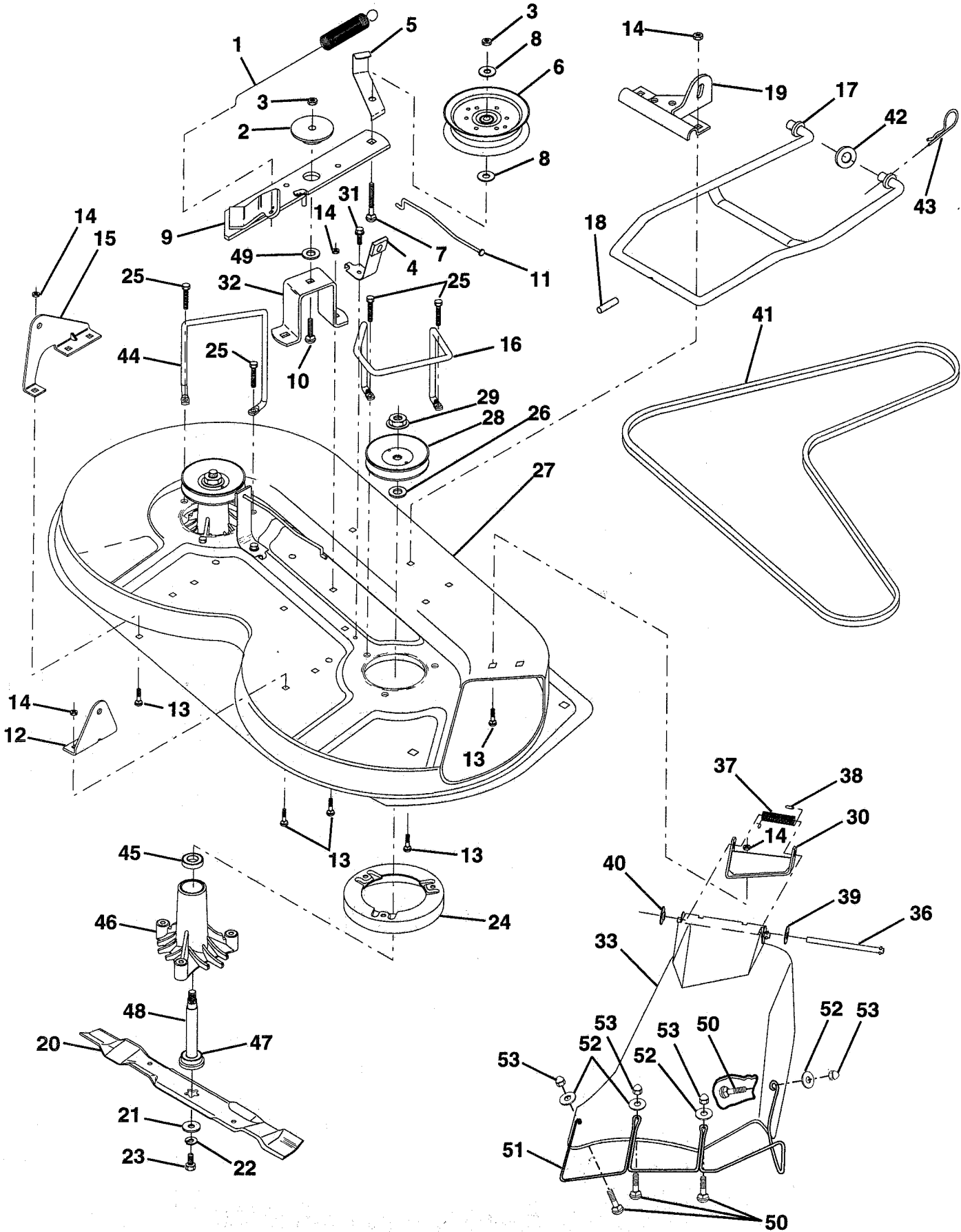
NOTE: All component dimensions given in U.S. inches.
1 inch = 25.4 mm.

HARDWARE SHOWN LARGER FOR EASIER IDENTIFICATION

REPAIR PARTS

TRACTOR -- MODEL NUMBER 6A1A1C

MOWER DECK



REPAIR PARTS

TRACTOR - - MODEL NUMBER 6A1A1C

MOWER DECK

KEY NO.	PART NO.	DESCRIPTION	KEY NO.	PART NO.	DESCRIPTION
1	140064	Spring, Mower Clutch	31	17490508	Screw, Hex Washer Head, Thd. Roll. 5/16-18 x 1/2
2	122052X	Spacer, Retainer	32	122051X	Arm, Support Idler, Mower
3	73680600	Nut, Crownlock 3/8-16	33	139083	Shield, Deflector
4	130840	Assembly, Brake	36	121980X	Rod, Hinge
5	131251	Guide, Belt Idler	37	123713X	Spring, Torsion Deflector
6	121316X	Idler, Flat	38	105304X	Cap, Sleeve
7	72110616	Bolt, Carriage 3/8-16 x 2 Grade 5	39	19111016	Washer 11/32 x 5/8 x 16 Gauge
8	19131410	Washer 13/32 x 7/8 x 10 Gauge	40	110452X	Nut, Push
9	127744	Assembly, Mower Idler Arm	41	131264	V-Belt
10	72140610	Bolt, Carriage 3/8-16 x 1-1/4	42	19171616	Washer 11/32 x 5/8 x 16 Gauge
11	130841	Rod, Brake	43	3146R	Clip, Hairpin
12	127356	Bracket, Rear Lift, R.H.	44	140608	Keeper, L.H.
13	72140506	Bolt, Carriage 5/16-18 UNC x 3/4	45	110485X	Bearing
14	73680500	Nut, Lock Hex W/Ins 5/16-18	46	128774	Housing, Mandrel, Vented
15	127357	Bracket, Rear Lift, L.H.	47	129895	Bearing
16	140093	Keeper, R.H.	48	137645	Shaft, Mandrel (Includes Key Number 47)
17	128508	Stabilizer, Mower Link	49	133943	Washer, Hardened
18	128511	Pin, Drive	50	M720305016	Bolt, RdHd. SQNK M5 x 0.8 x 16
19	127380	Bracket, Stabilizer Link	51	136383	Guard, Dftr. MWR 36" TUV
20	138496	Blade, Mwr, 36" High Lift	52	19070718	Washer
21	140296	Washer, Hard Blade Mower Vented	53	M730705000	Nut, Acorn M5 x 0.8
22	10030600	Washer, Lock, Heavy 3/8	--	130794	Mandrel Assembly (Includes Key Numbers 21-23, 26, 29 and 45-48)
23	850857	Bolt 3/8-24 x 1-1/4 Grade 8	--	144973	Deck, Serv. 36, HP, LR
24	140329	Stripper			
25	138776	Screw, Thdrol. Hex Hd.			
26	129963	Washer .150 Thick			
27	129983	Housing, Mower			
28	129207	Pulley, Mandrel			
29	137266	Nut, Flangelock 9/16			
30	136631	Bracket, Deflector			

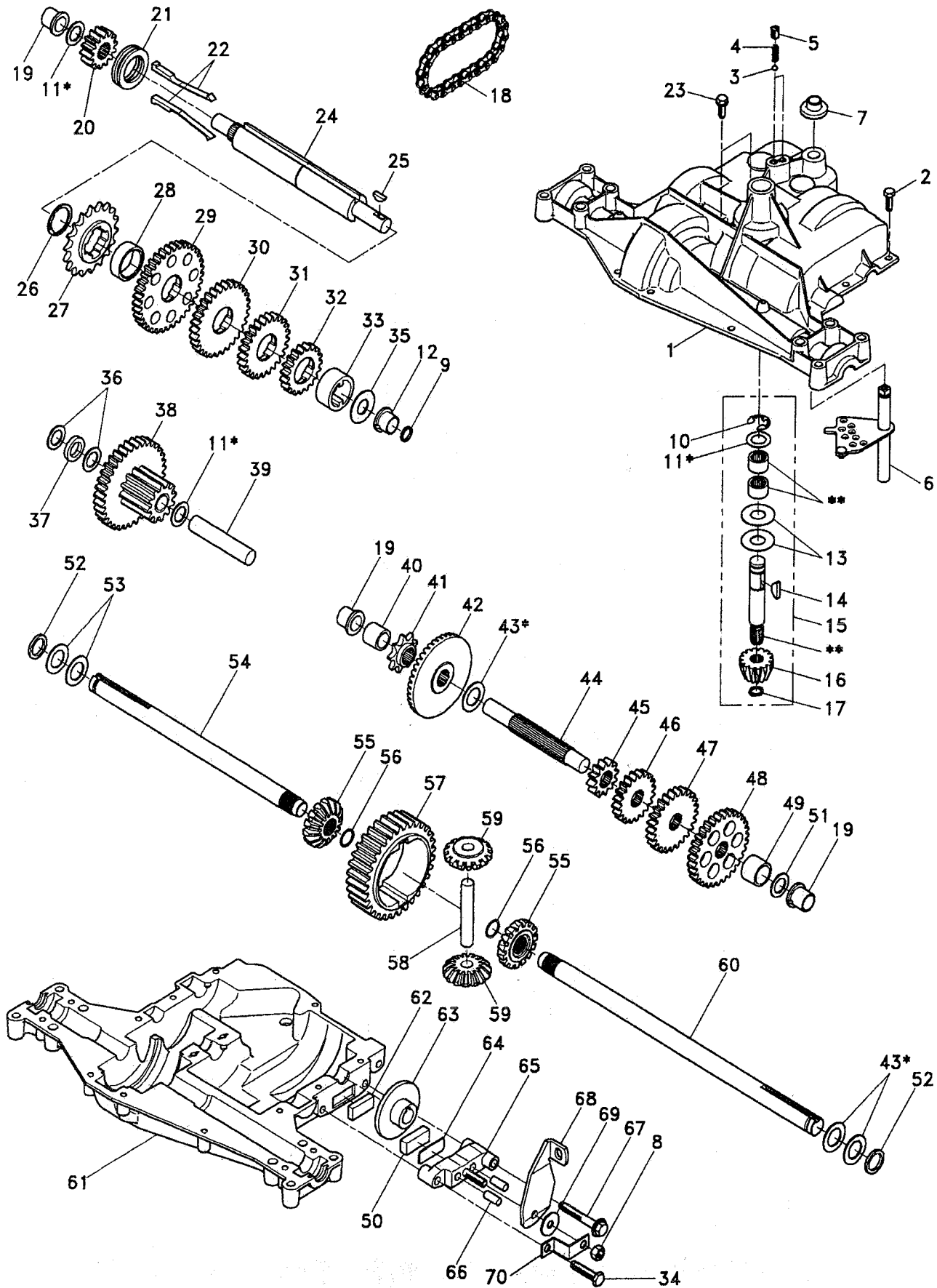
NOTE: All component dimensions given in U.S. inches.
1 inch = 25.4 mm.

HARDWARE SHOWN LARGER FOR EASIER IDENTIFICATION

REPAIR PARTS

TRACTOR - - MODEL NUMBER 6A1A1C

DANA TRANSAXLE - MODEL NUMBER 4360-77



REPAIR PARTS

TRACTOR - - MODEL NUMBER 6A1A1C

DANA TRANSAXLE - MODEL NUMBER 4360-77

KEY PART NO.	NO.	DESCRIPTION	KEY PART NO.	NO.	DESCRIPTION
1	142671	Housing, Upper	39	124639X	Shaft, Idler
2	2274J	Screw, Self-Tapping, Large 1/4-20 x .734	40	120472X	Spacer .635 x .875 x .755
3	134400	Ball, Detent	41	105928X	Sprocket, 9 Teeth
4	105904X	Spring, Detent	42	110084X	Gear, Bevel, 42 Teeth
5	105905X	Screw, Set	43	134394	* Assembly, Kit, Shim .750 Shaft
6	138235	Kit, Shifter Assembly	44	120473X	Shaft, Drive
7	134399	Boot, Shifter	45	142678	Gear, Spur, 12 Teeth
8	73810500	Locknut 5/16-24	46	120407X	Gear, Spur, 20 Teeth
9	143045	Seal, Oil	47	106589X	Gear, Spur, 25 Teeth
10	142672	Ring, Retaining	48	105937X	Gear, Spur, 31 Teeth
11	134793	* Assembly, Kit, Shim .625 Shaft	49	120523X	Spacer .781 x 1.00 x .750
12	143051	Bearing, Flange	50	120951X	Puck, Friction
13	120415X	Washer, Plain .632 x 1.38 x .046	51	2226J	Washer, Plain .632 x 1.00 x .060
14	142674	Key, Woodruff, #9	52	134401	Washer, Neoprene
15	138234	Assembly, Kit, Input Shaft	53	2264J	Washer, Plain .758 x 1.25 x .031
16	110078X	Pinion, Bevel, 14 Teeth	54	120474X	Axle, L.H.
17	105909X	Ring, Retaining	55	110081X	Gear, Miter, 15 Teeth
18	105910X	Chain, 24 Pitches	56	105941X	Ring, Retaining
19	105911X	Bearing, Flange	57	110071X	Gear, Spur, 32 Teeth
20	142675	Gear, Spur, 14 Teeth	58	120952X	Shaft, Cross
21	138246	Collar, Clutch	59	110082X	Gear, Miter, 15 Teeth
22	138236	Assembly, Kit, Clutch Keys	60	120475X	Axle, R.H.
23	134791	Screw, Tapping w/Sealer	61	142680	Housing, Lower
24	142676	Shaft, Intermediate	62	120961X	Puck, Friction
25	2244J	Key, Woodruff, #61	63	7294J	Disc, Brake
26	105916X	Ring, Retaining	64	108989X	Spacer
27	120470X	Sprocket, 18 Teeth	65	120953X	Jaw, Brake
28	110070X	Spacer	66	120954X	Pin, Dowel
29	142677	Gear, Spur, 37 Teeth	67	134799	Screw, Self-Tapping, Large 5/16-18 x 2.25
30	120405X	Gear, Spur, 30 Teeth	68	138244	Lever, Actuating
31	108980X	Gear, Spur, 25 Teeth	69	108996X	Washer, Plain .321 x 1.00 x .055
32	134796	Gear, Spur, 19 Teeth	70	120956X	Bracket, Anti-Rotation
33	138239	Spacer 1.133 x 1.50 x .750	71	120416X	Grease
34	106596X	Screw, Self-Tapping, Large 5/16-18 x 1.44			
35	105925X	Washer, Plain .640 x 1.37 x .061			
36	2232J	Washer, Plain .632 x 1.00 x .026			
37	108978X	Spacer .630 x 1.00 x .169			
38	110079X	Assembly, Gear, Combination of 12 Teeth and 35 Teeth			

* Use in combinations to maintain proper clearances

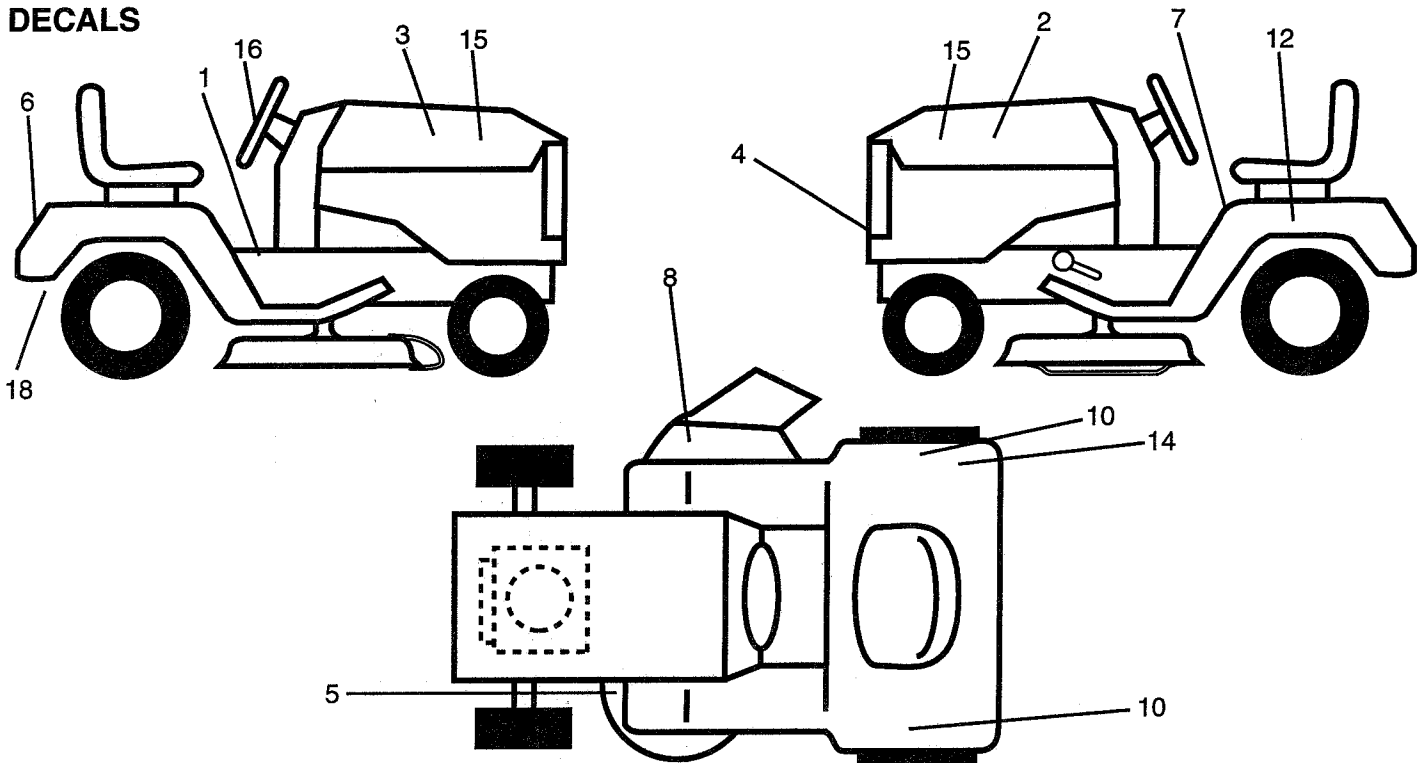
** Order Key No. 15

NOTE: All component dimensions given in U.S. inches
1 inch = 25.4 mm

REPAIR PARTS

TRACTOR -- MODEL NUMBER 6A1A1C

DECALS

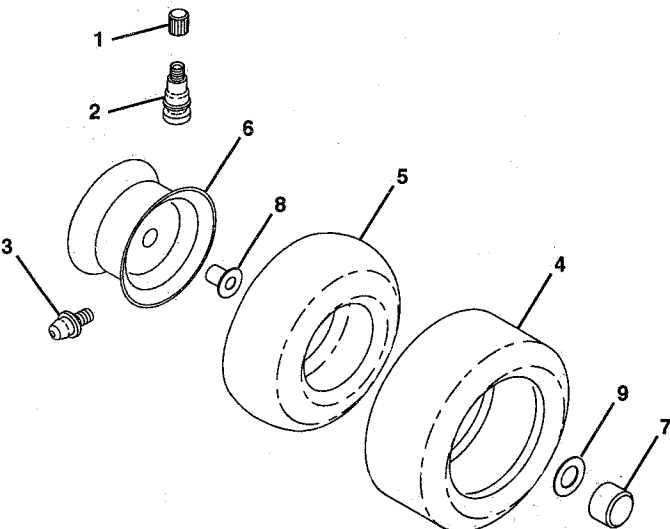


KEY NO.	PART NO.	DESCRIPTION
1	145545	Decal, Inst. Oper. E/F
2	141744	Decal, Stripe, Hood, L.H.
3	141743	Decal, Stripe, Hood, R.H.
4	132627	Decal, Grill
5	136830	Decal, V-Belt Sch.
6	132628	Decal, Fender
7	145498	Decal, Caution, Read Owner's Man.
8	145459	Decal, International Cutfinger
10	138804	Decal, Fend. Quickshf.
12	145004	Decal, Caution, Battery

KEY NO.	PART NO.	DESCRIPTION
14	125690X	Decal 100 DbA
15	127032	Decal, Hood 10 HP 4 Sp.
16	127075	Decal, Wheel Steering
18	145437	Decal, Europe Stan. CE Tractors
--	147061	Manual, Operator's (Eng)
--	146974	Manual, Operator's (Fr)
--	147055	Manual, Repair Parts (Eng/Fr)

Available accessories not included with tractor:
 CE36 Grass Catcher
 MK36 Mulcher Kit

TIRES & WHEELS



KEY NO.	PART NO.	DESCRIPTION
1	59192	Cap, Valve
2	65139	Stem, Valve
3	278H	Fitting, Grease (Front Only)
4	124142X	Tire, Front
	124143X	Tire, Rear
5	59904	Tube, Tire, Front
	8134H	(Optional, Service Item Only)
		Tube, Tire, Rear
		(Optional, Service Item Only)
6	122394X427	Rim Assembly, Front
	140325X427	Rim Assembly, Rear
7	104757X	Cap, Axle
8	9040H	Bearing, Flange (Front Only)
9	121748X	Washer, Axle Cap
--	144334	Sealant, Tire (10 oz. Tube)