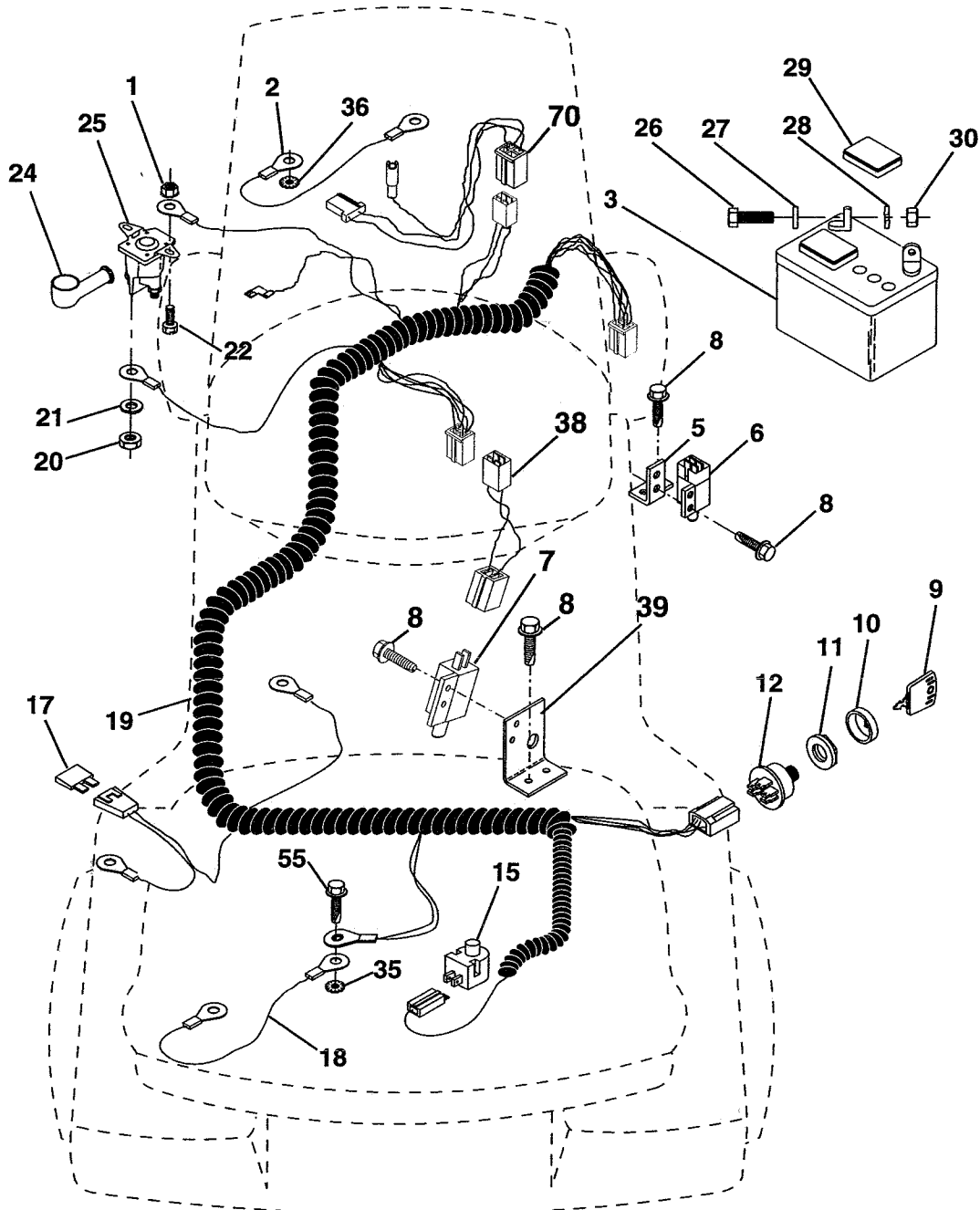


REPAIR PARTS

11 HP 36" TRACTOR -- MODEL NO. 6C1A7B

ELECTRICAL



REPAIR PARTS

11 HP 36" TRACTOR - - MODEL NO. 6C1A7B

ELECTRICAL

KEY NO.	PART NO.	DESCRIPTION
1	73510400	Nut, Hex Keps 1/4-20
2	108423X	Assembly, Cable
3	133909	Battery
5	108236X	Bracket, Switch
6	104445X	Switch, Interlock
7	109553X	Switch, Interlock
8	17021008	Screw, Hex Hd. Tap #10-24 x 1/2
9	140402	Key, Molded
10	123620X	Cover, Key Ignition
11	140400	Nut, Ignition
12	140399	Switch, Ignition
14	7192J	Tie, Cable
15	121305X	Switch, Plunger
16	73510500	Nut, Hex, Keps 5/16-18
17	108824X	Fuse
18	128353	Assembly, Cable
19	143131	Harness, Ignition
20	73350400	Nut, Hex Jam 1/4-20
21	10090400	Washer, Lock 1/4
22	74780408	Bolt, Hex 1/4-20 x 12 Gr. 5
24	131563	Cover, Terminal
25	138406	Solenoid
26	74760412	Bolt, Hex Hd. 1/4-20 UNC x 3/4
27	19091016	Washer 9/32 x 5/8 x 16 Ga.
28	10040400	Washer, Lock Hvy. Hel. Spring 1/4
29	121264X	Cap, Battery
30	73220400	Nut, Hex, Fin. 1/4-20
35	11050500	Washer Lock Ext. Tooth 5/16
36	11150400	Washer Lock Int. Tooth 1/4
38	140660	Harness, Adapter
39	141735	Bracket, Switch Clutch
55	17490508	Screw, thdrol 5/16-18 x 1/2
70	140413	Harness, Engine

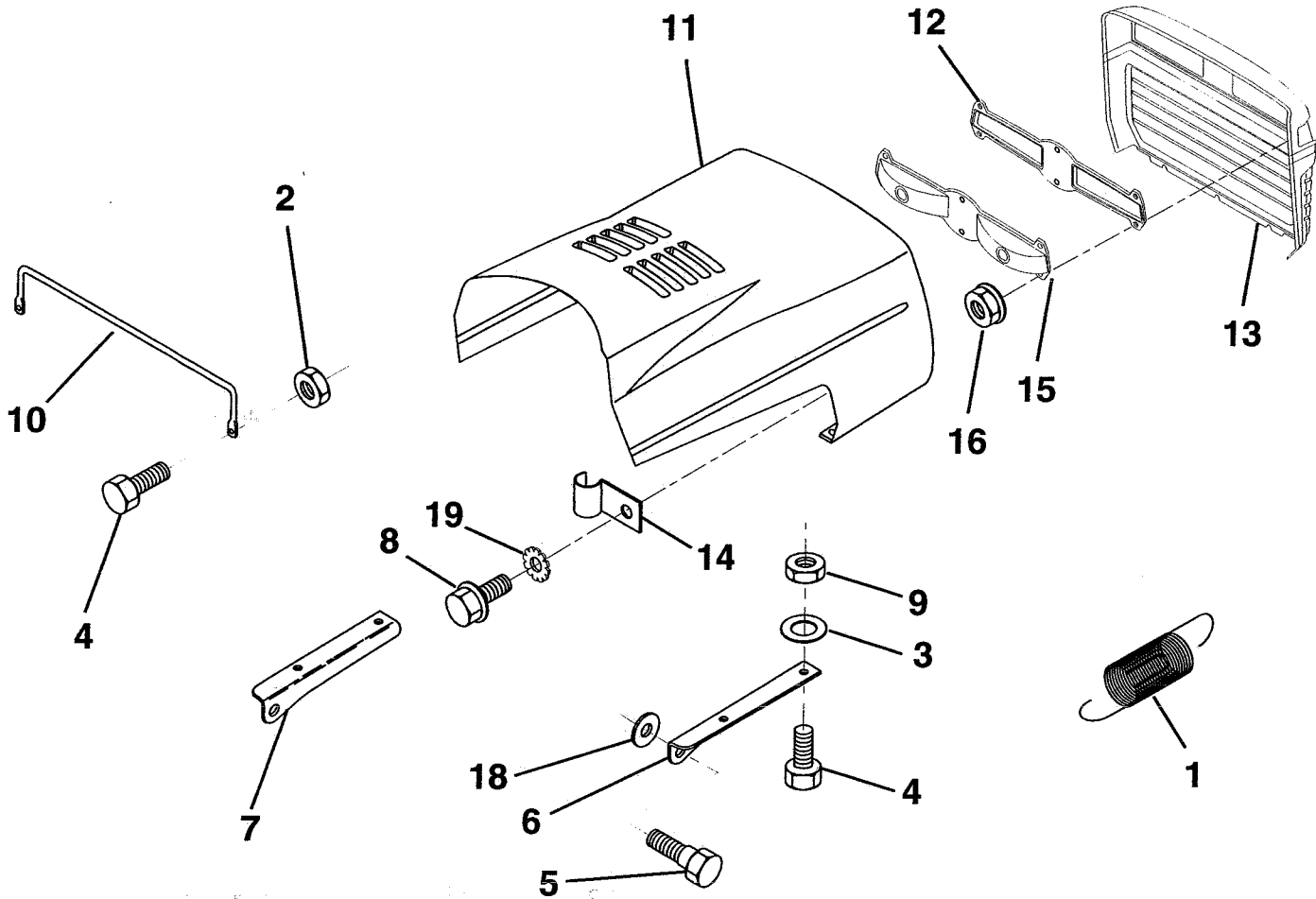
NOTE: All component dimensions given in U.S. inches.
1 inch = 25.4 mm

HARDWARE SHOWN LARGER FOR EASIER IDENTIFICATION

REPAIR PARTS

11 HP 36" TRACTOR -- MODEL NUMBER 6C1A7B

HOOD



KEY NO.	PART NO.	DESCRIPTION
1	124657X	Extension, Spring
2	73510400	Nut, Hex, Keps 1/4-20
3	19091416	Washer, 9/32 x 7/8 x 16 Ga.
4	74780412	Bolt, Hex Fin 1/4-20 x 3/4 Gr. 5
5	126675X	Bolt, Shoulder
6	122549X	Bracket, Hood R. H.
7	122548X	Bracket, Hood L.H.
8	17521310	Screw Sltd. Hex Hd W/PL Washer
9	73800400	Nut Lock W/Insert 1/4-20 UNC

KEY NO.	PART NO.	DESCRIPTION
10	123693X	Brace, Hood
11	132918X505	Hood
12	127178	Lens Clear Bar Dual LR P/L
13	134232X428	Grill
16	124346X	Nut Self-Thd. Wsh-Hd 1/4
18	19111116	Washer 11/32 x 11/16 x 16 Ga.
19	11030400	Washer Lock 1/4 Int/Ext Tooth

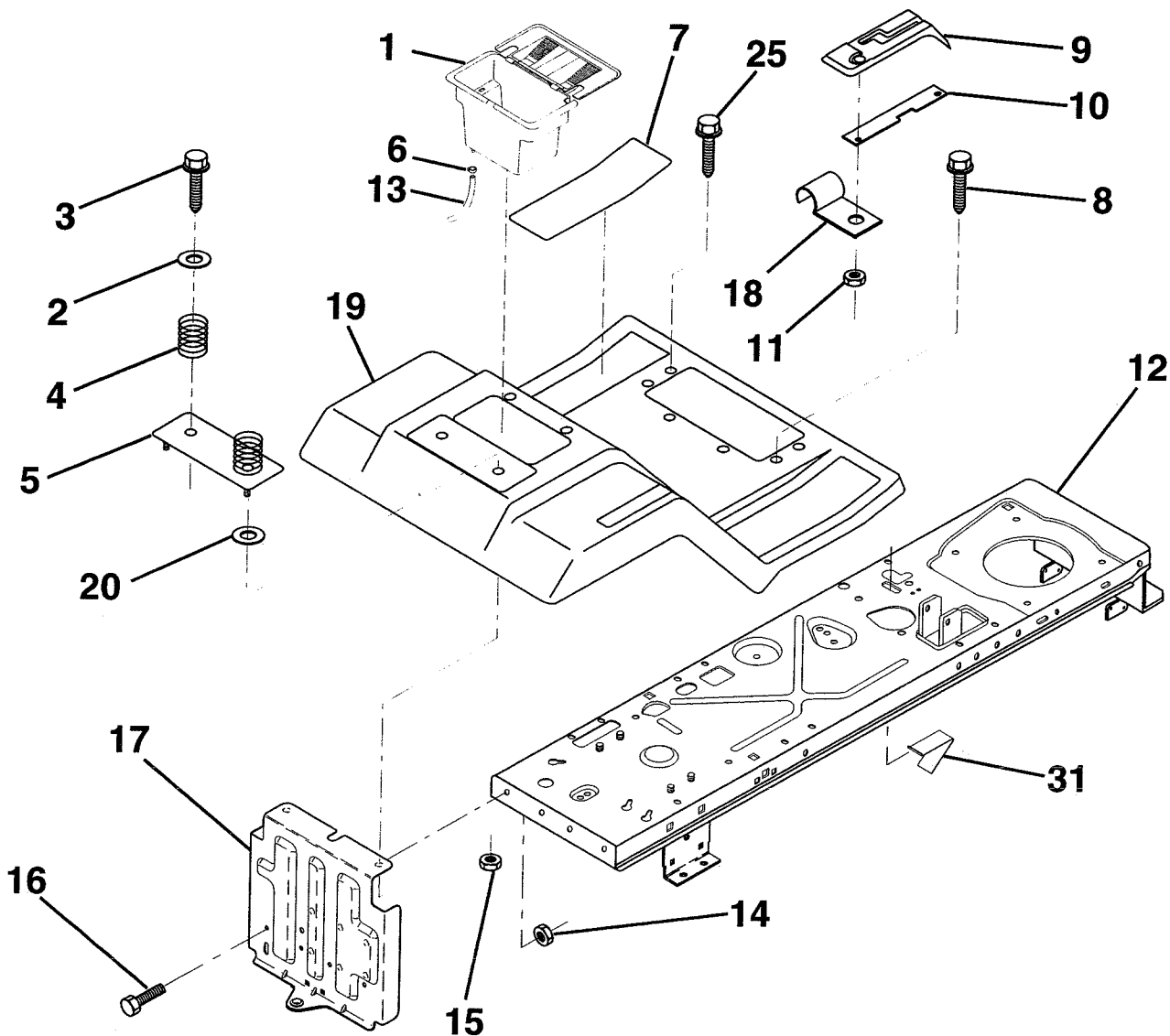
NOTE: All component dimensions given in U.S. inches.
1 inch = 25.4 mm

HARDWARE SHOWN LARGER FOR EASIER IDENTIFICATION

REPAIR PARTS

11 HP 36" TRACTOR -- MODEL NUMBER 6C1A7B

FENDER / CHASSIS



KEY NO.	PART NO.	DESCRIPTION
1	129965	Case, Battery
2	19132012	Washer 13/32 x 1-1/4 x 12 Gauge
3	17490612	Screw, Hex Washer Head, Thd. Roll. 3/8-16 x 3/4
4	124181X	Spring, Compression, Seat
5	127115X505	Plate, Battery
6	109596X	Clamp, Hose
7	124144X	Pad, Footrest
8	17490512	Screw, Hex Washer Head, Thd. Roll. 5/16-18 x 3/4
9	126993X	Console, Shift Control
10	139783	Bar, Shift Lock
11	124346X	Nut, Self-Threading 3/16

KEY NO.	PART NO.	DESCRIPTION
12	140784	Assembly, Frame
13	109238X	Tube, Battery Drain
14	73510400	Nut, Lock Hex W/Ins. 5/16-18
15	73800500	Nut, Hex, Keps 1/4-20
16	74760512	Bolt, Hex 5/16-18 UNC x 3/4
17	140782	Drawbar
18	126470X	Clip, Insulated
19	140955X505	Fender/Footrest
20	19091413	Washer 9/32 x 7/8 x 13 Gauge
25	17490516	Screw Hex Wsh Thdrol 5/16-18 x 1
31	141736	Switch Actuator

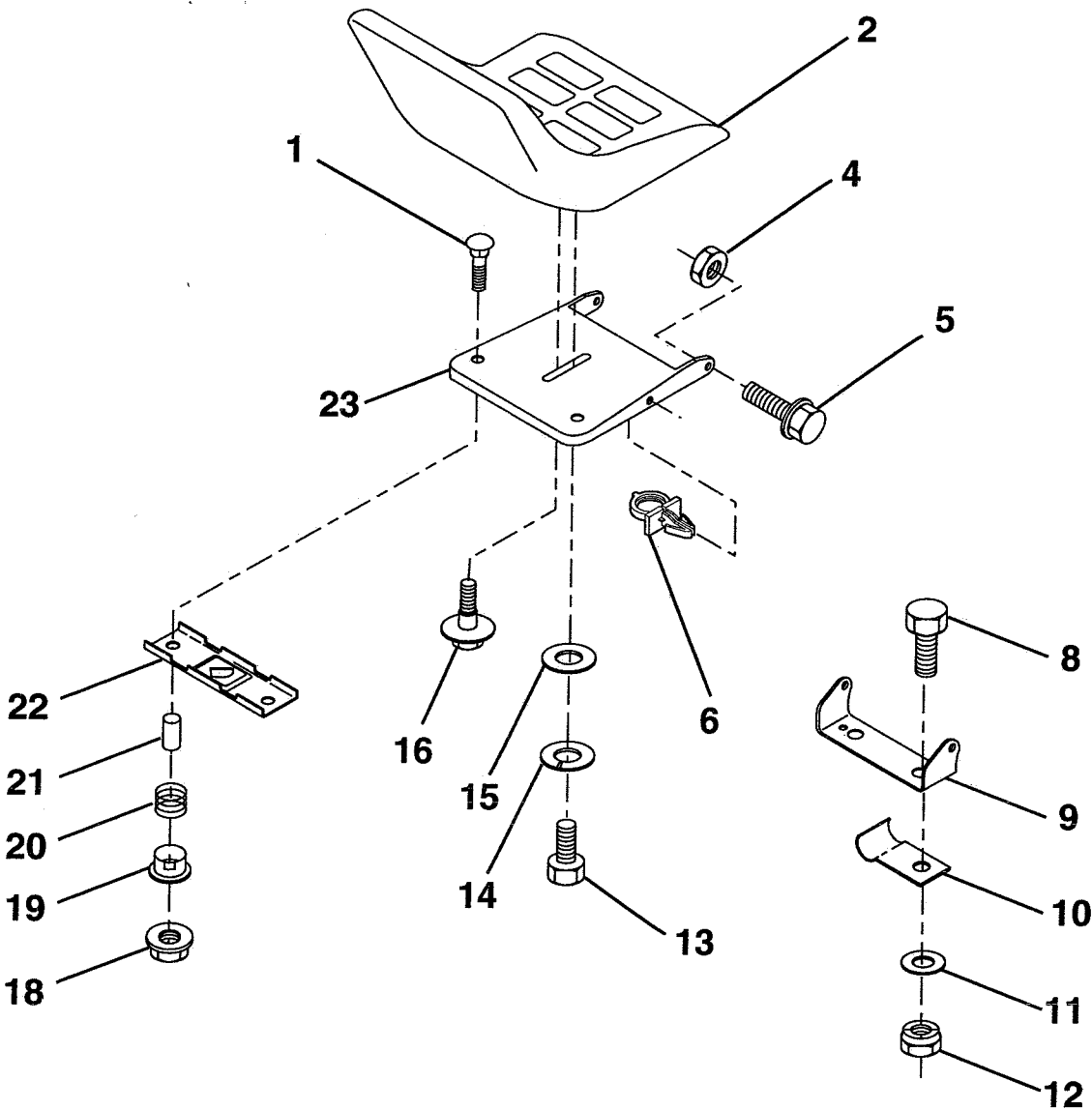
NOTE: All component dimensions given in U.S. inches.
1 inch = 25.4 mm

HARDWARE SHOWN LARGER FOR EASIER IDENTIFICATION

REPAIR PARTS

11 HP 36" TRACTOR -- MODEL NUMBER 6C1A7B

SEAT



KEY NO.	PART NO.	DESCRIPTION
1	72050411	Bolt, Carriage 1/4-20 x 1-3/8
2	134647	Seat
4	73800500	Nut, Lock Hex W/Ins 5/16-18
5	139888	Bolt, Shoulder 5/16-18 UNC
6	140407	Clip, Push-In
8	74760612	Bolt, Hex, Fin 3/8-16 UNC x 3/4
9	140551	Bracket, Pivot, Seat
10	126471X	Clip, Insulated
11	19133210	Washer 13/32 x 2 x 10 Gauge
12	73800600	Nut, Lock Hex W/Wsh 3/8-16
13	74780814	Bolt, Fin Hex 1/2 - 13 x 7/8 Gr. 5

KEY NO.	PART NO.	DESCRIPTION
14	10040800	Washer Lock Hvy HLCL Spr. 1/2
15	19171912	Washer 17/32 x 13/16 x 12 Gauge
16	127018X	Bolt, Shoulder
18	123976X	Locknut, Hex, Large, Flange
19	121248X	Bushing, Snap
20	121250X	Spring, Compression
21	134300	Spacer, Split, Large .28 Id. x .96
22	121246X	Bracket, Switch, Mounting
23	140552	Pan, Seat

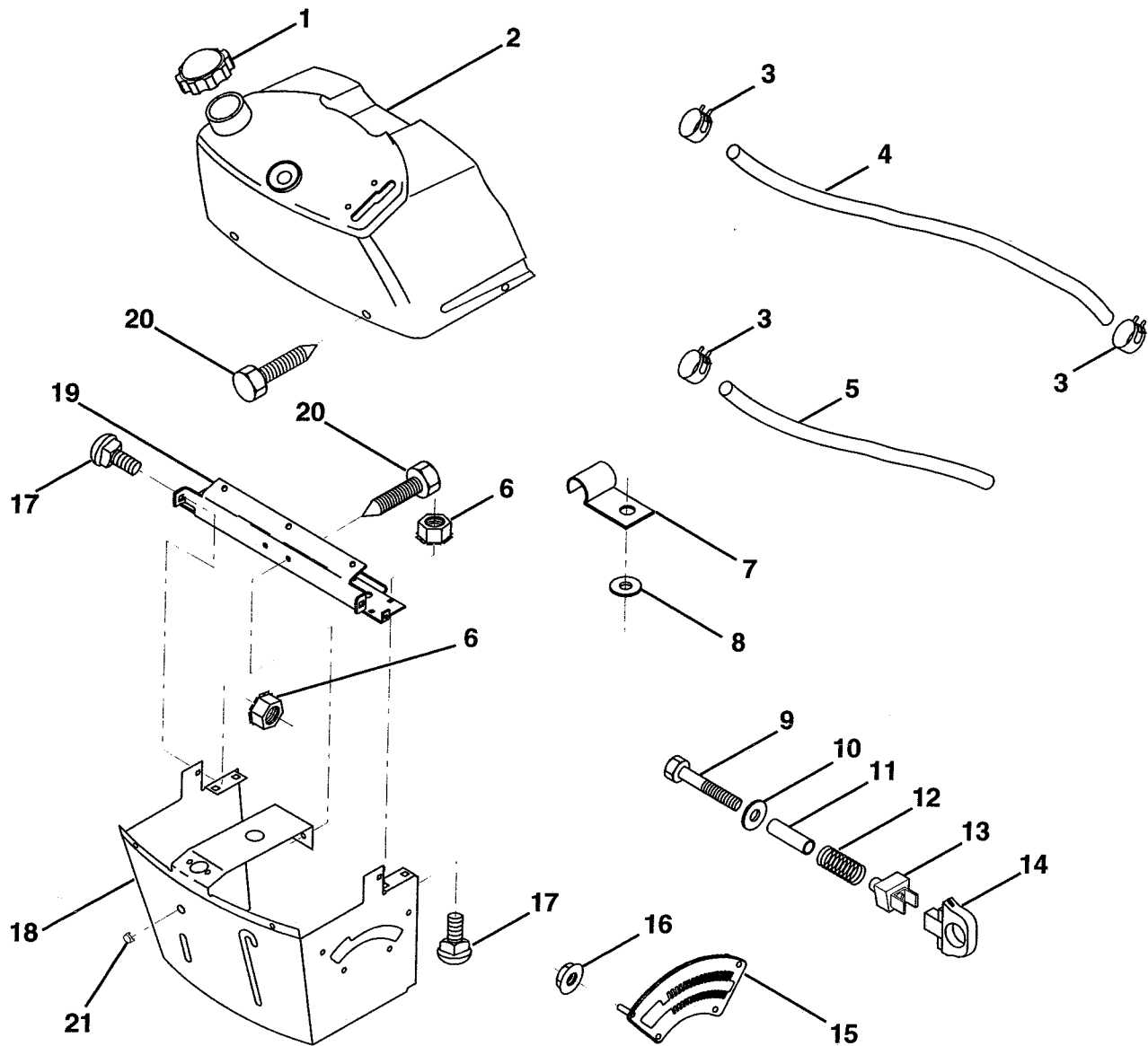
NOTE: All component dimensions given in U.S. inches.
1 inch = 25.4 mm

HARDWARE SHOWN LARGER FOR EASIER IDENTIFICATION

REPAIR PARTS

11 HP 36" TRACTOR -- MODEL NUMBER 6C1A7B

DASH



KEY NO.	PART NO.	DESCRIPTION
1	141523	Cap, Fuel
2	138393	Assembly, Dash & Fuel Tank
3	123487X	Clamp, Hose
4	8544R	Line, Fuel
5	8548R	Line, Fuel
6	73510400	Nut, Hex, Keps 1/4-20
7	2751R	Clip, Fuel Line
8	19091216	Washer 9/32 x 3/4 x 16 Gauge
9	74760428	Bolt, Hex, Fin. 1/4-20 x 1-3/4
10	19091413	Washer 11/32 x 11/16 x 16 Gauge
11	121249X	Spacer, Split

KEY NO.	PART NO.	DESCRIPTION
12	3720R	Spring
13	126450X	Clip, Height Adjustment
14	126115X	Knob, Height Stop
15	122023X	Adjustment, Quadrant Height
16	124346X	Nut, Self-Threading 3/16-18
17	72110404	Bolt, Carriage 1/4-20 x 1/2 Grade 5
18	130745	Support Assembly, Dash
19	134744	Brace, Cross
20	17060408	Screw, Self-Tapping 1/4-20 x 1/2
21	134014	Plug, Dome

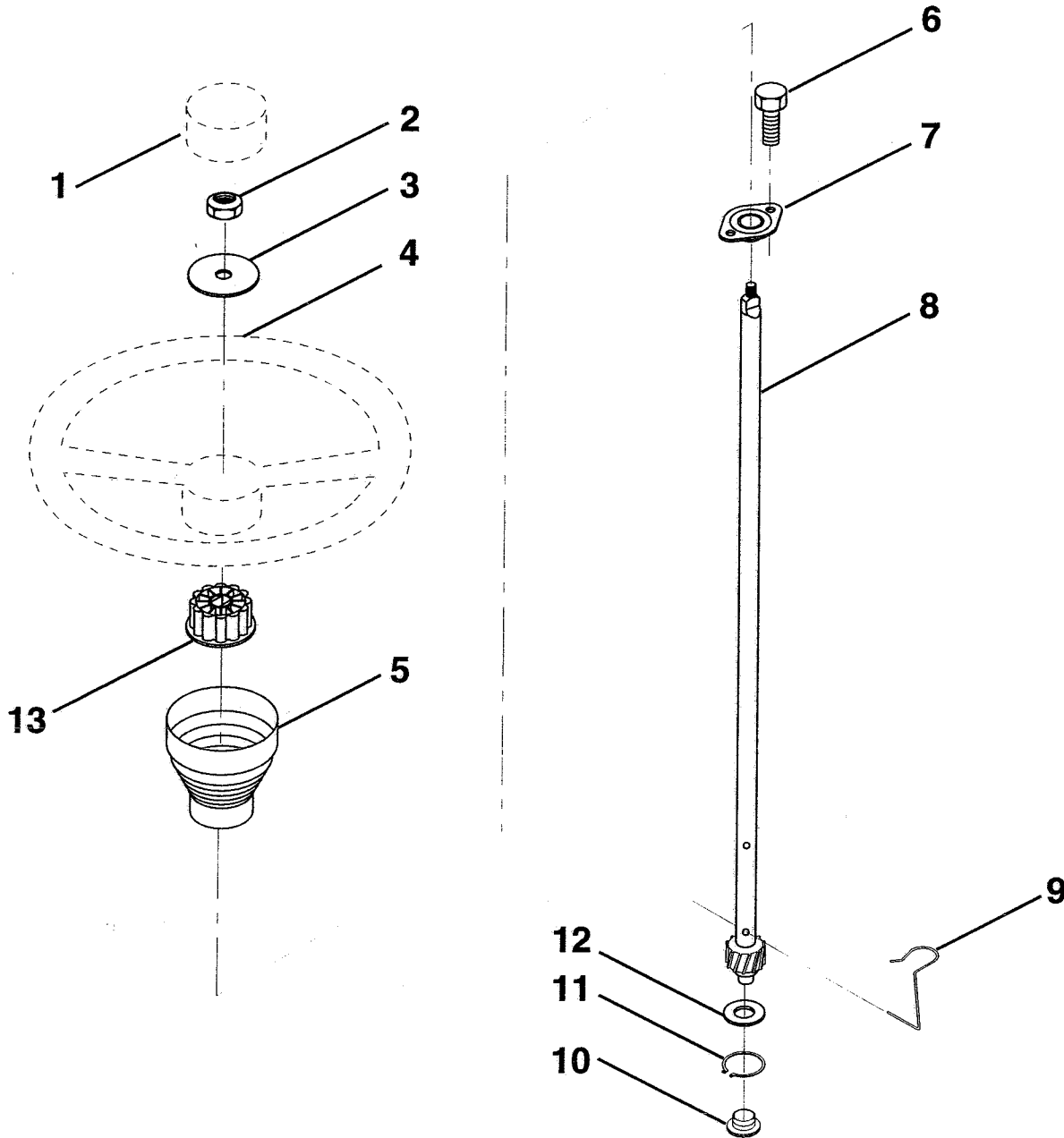
NOTE: All component dimensions given in U.S. inches.
1 inch = 25.4 mm

HARDWARE SHOWN LARGER FOR EASIER IDENTIFICATION

REPAIR PARTS

11 HP 36" TRACTOR -- MODEL NUMBER 6C1A7B

STEERING WHEEL



KEY NO.	PART NO.	DESCRIPTION
1	133742	Insert, Steering Wheel
2	7810H	Locknut 3/8-24 UNF
3	19133808	Washer 13/32 x 2-3/8 x 8 Ga.
4	133741	Wheel, Steering
5	121897X	Sleeve, Steering
6	17431008	Screw, Hex Self-Tapping #10-16 x 1/2
7	102803X	Bushing, Steering

KEY NO.	PART NO.	DESCRIPTION
8	123651X	Shaft, Steering
9	124210X	Clip, Steering
10	123438X	Bushing, Lower, Steering
11	12000045	Ring, Retaining
12	19211616	Washer 21/32 x 1 x 16 Ga.
13	104820X	Adaptor, Steering Wheel

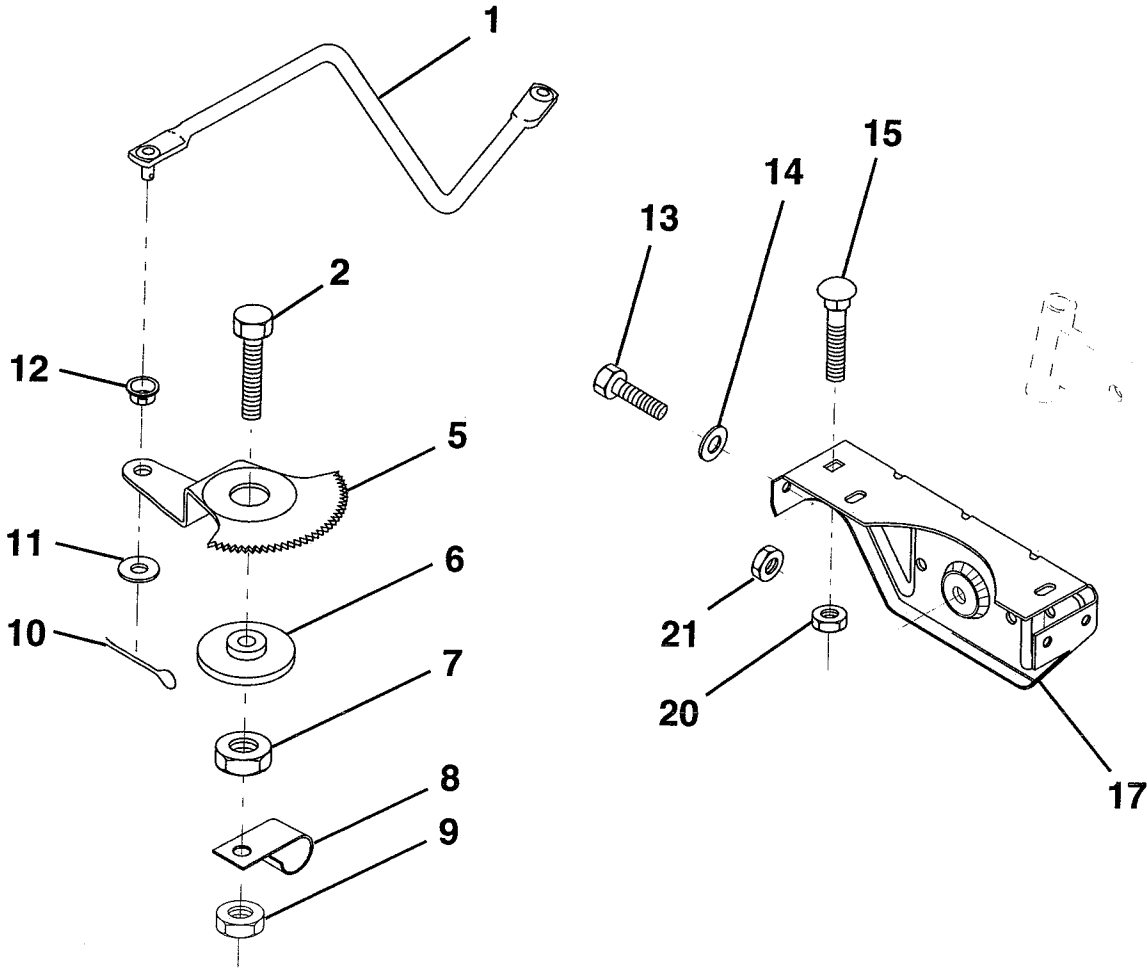
NOTE: All component dimensions given in U.S. inches
1 inch = 25.4 mm

HARDWARE SHOWN LARGER FOR EASIER IDENTIFICATION

REPAIR PARTS

11 HP 36" TRACTOR -- MODEL NUMBER 6C1A7B

SECTOR GEAR / AXLE SUPPORT



KEY NO.	PART NO.	DESCRIPTION
1	132566	Link, Drag
2	74780828	Bolt, Hex, Fin 1/2-13 x 1-3/4
5	121926X	Gear, Sector
6	121927X	Bushing
7	73030800	Nut, Heavy, Hex, Top Lock 1/2-13 UNC
8	126472X	Clip, Wire
9	73680800	Nut, Crownlock 1/2-13
10	76020412	Pin, Cotter 1/8 x 3/4

KEY NO.	PART NO.	DESCRIPTION
11	19131316	Washer 13/32 x 13/16 x 16 Ga.
12	126847X	Bushing
13	74760512	Bolt, Hex 5/16-18 x 3/4
14	19111416	Washer 11/32 x 7/8 x 16 Ga.
15	72110606	Bolt, Carriage 3/8-16 UNC x 3/4
17	137096	Support, Front Axle
20	73800600	Nut, Lock Hex W/Wsh 3/8-16
21	73800500	Nut, Lock Hex W/Ins. 5/16-18

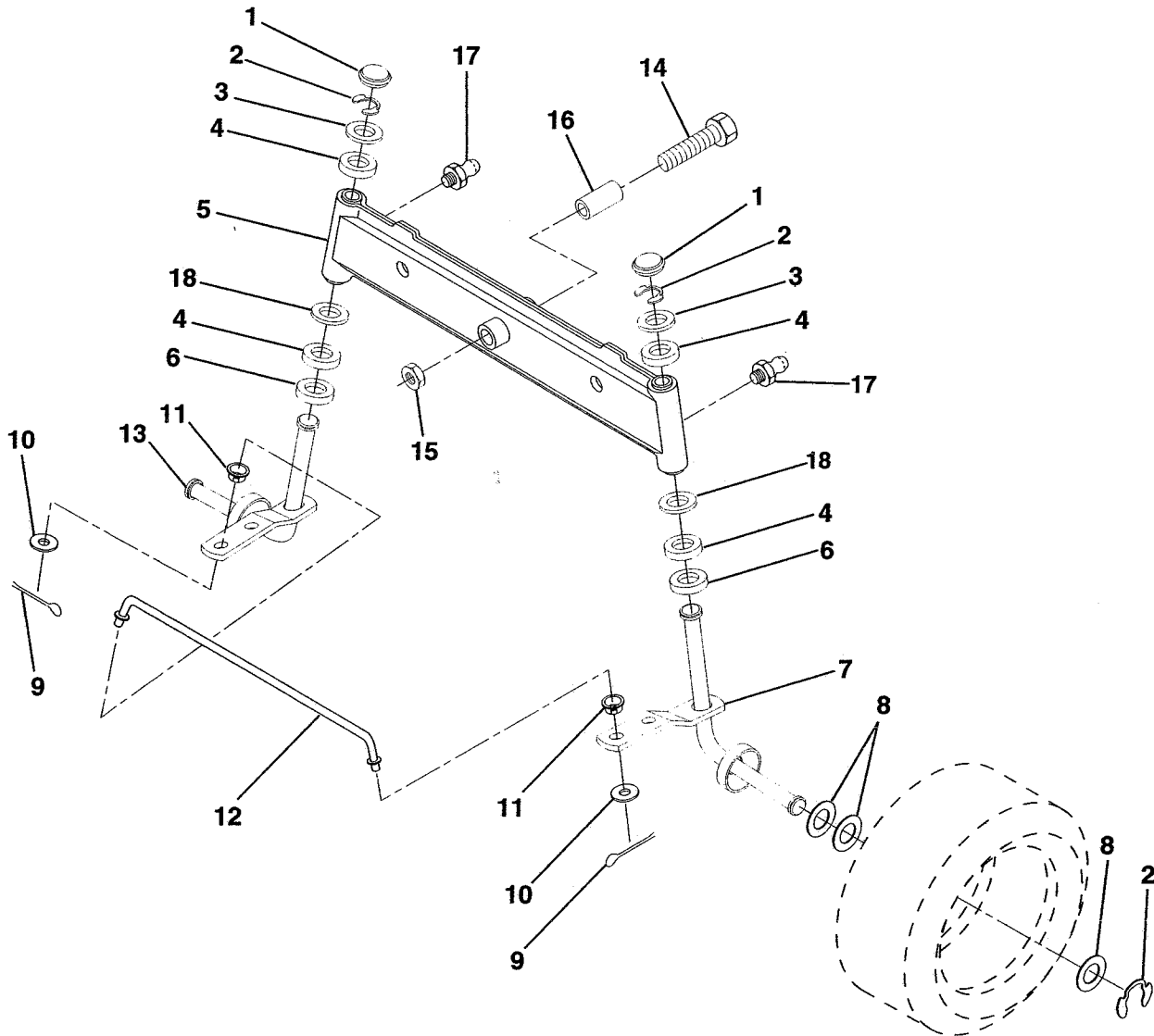
NOTE: All component dimensions given in U.S. inches
1 inch = 25.4 mm

HARDWARE SHOWN LARGER FOR EASIER IDENTIFICATION

REPAIR PARTS

11 HP 36" TRACTOR -- MODEL NUMBER 6C1A7B

FRONT AXLE



KEY NO.	PART NO.	DESCRIPTION
1	121232X	Cap, Spindle
2	12000029	Ring, Klip
3	121748X	Washer 25/32 x 1-5/8 x 16 Gauge
4	3366R	Bearing
5	142033	Axle, Front
6	6266H	Bearing, Thrust
7	137062	Spindle Assembly, R.H.
8	121749X	Washer 25/32 x 1-1/4 x 16 Gauge
9	76020412	Pin, Cotter 1/8 x 3/4

KEY NO.	PART NO.	DESCRIPTION
10	19131316	Washer 13/32 x 13/16 x 16 Gauge
11	126847X	Bushing
12	130465	Rod, Tie
13	137061	Spindle Assembly, L.H.
14	74011056	Bolt Hex 5/8-11 x 3-1/2
15	73901000	Nut, Lock Flange 5/8-11
16	110438X	Spacer, Bearing Axle
17	6855M	Fitting Grease
18	19272016	Washer 27/32 x 1-1/4 x 16 Ga.

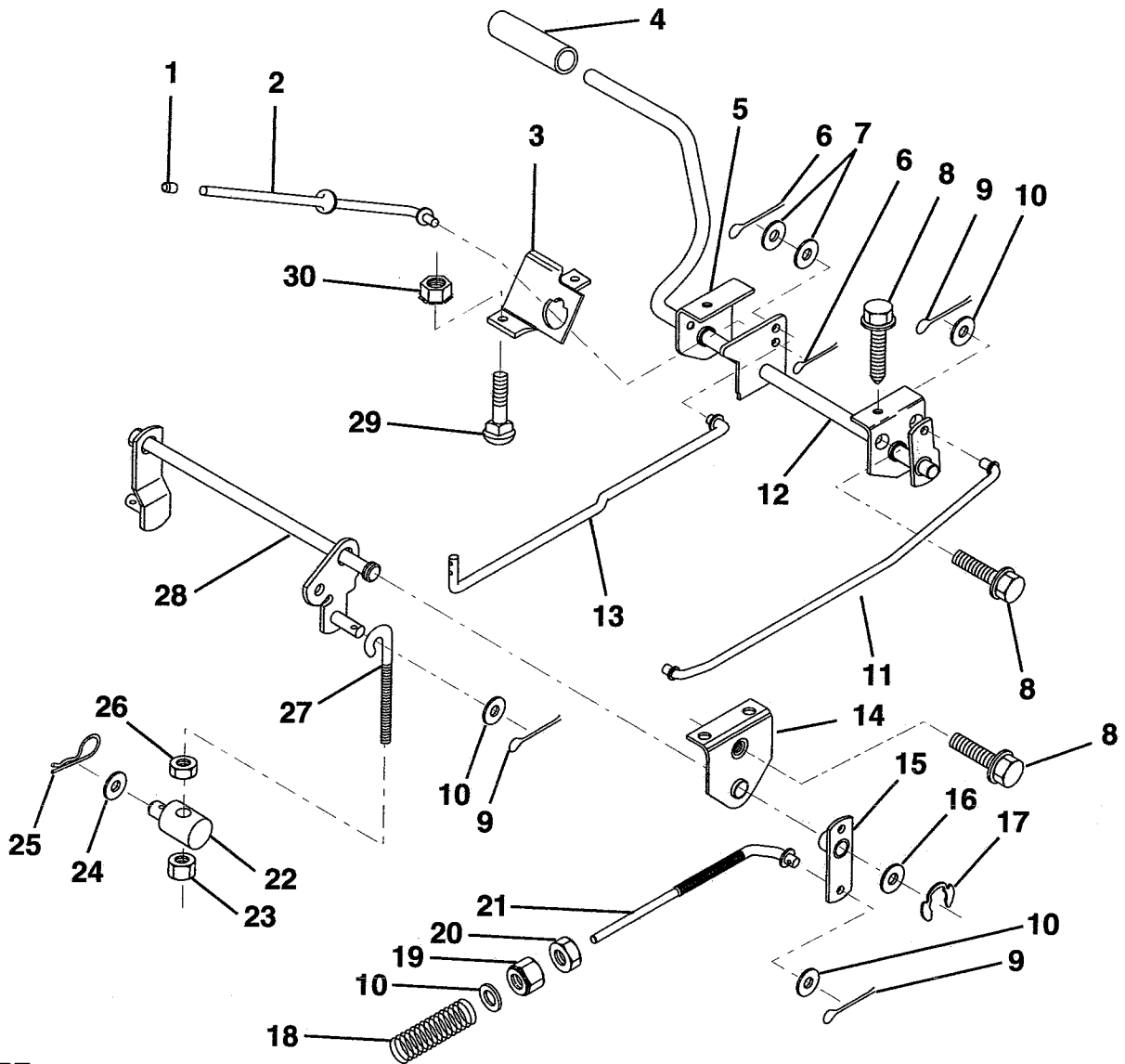
NOTE: All component dimensions given in U.S. inches
1 inch = 25.4 mm

HARDWARE SHOWN LARGER FOR EASIER IDENTIFICATION

REPAIR PARTS

11 HP 36" TRACTOR -- MODEL NUMBER 6C1A7B

BRAKE / REAR MOWER LIFT ASSEMBLY



KEY NO.	PART NO.	DESCRIPTION
1	71673	Cap, Parking Brake
2	123436X	Rod, Parking Brake
3	123437X	Bracket, Parking Brake
4	8156H	Cover, Pedal
5	122504X	Bracket, Pedal, Clutch LH
6	76020312	Pin, Cotter 3/32 x 3/4
7	19131016	Washer 13/32 x 5/8 x 16 Gauge
8	17490508	Screw, Hex, Thd. Roll. 5/16-18 x 1/2
9	76020412	Pin, Cotter 1/8 x 3/4
10	19131316	Washer 13/32 x 13/16 x 16 Gauge
11	123543X	Rod, Front Brake
12	139933	Assembly, Clutch/Brake Pedal
13	123394X	Rod, Clutch
14	121978X	Bracket, Lift, Shaft
15	123641X	Assembly, Brake, Pivot, Arm

KEY NO.	PART NO.	DESCRIPTION
16	19251816	Washer 25/32 x 1-1/8 x 16 Gauge
17	12000034	Ring, Klip
18	106888X	Spring, Brake Rod
19	73800600	Nut, Lock Hex W/Wsh 3/8-16
20	73350600	Nut, Hex, Jam 3/8-16 UNC
21	131460	Rod, Rear Brake
22	127378	Trunnion, Lift
23	73800600	Nut, Lock Hex W/Wsh 3/8-16
24	19132012	Washer 13/32 x 1-1/4 x 12 Gauge
25	4921H	Spring, Retainer
26	73930600	Nut, Centerlock 3/8-16 UNC
27	127369	Link, Threaded
28	140776	Assembly, Rear Mower Lift
29	72110506	Bolt, Carriage 5/16-18 UNC x 3/4
30	73510500	Nut, Keps 5/16-18 UNC

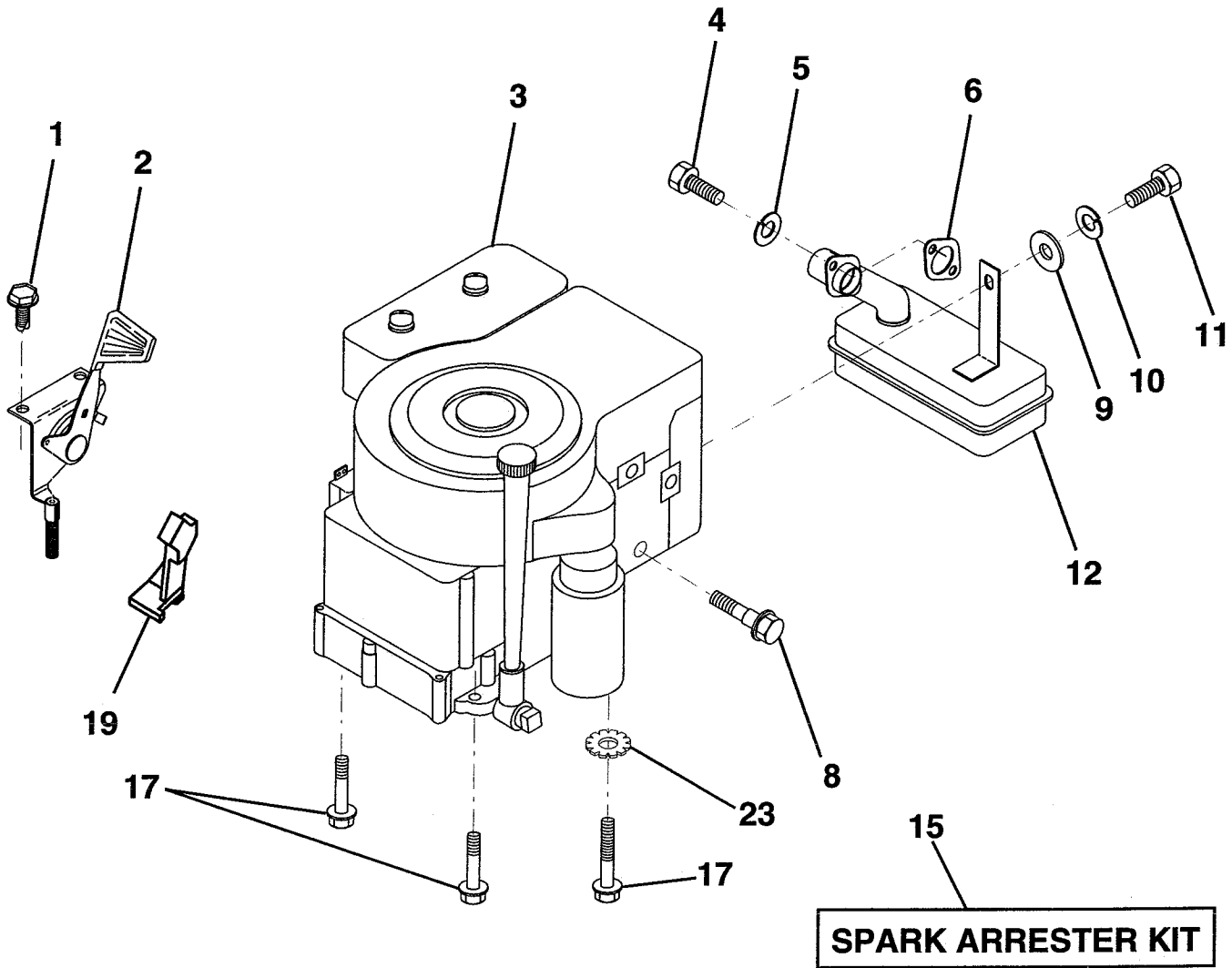
NOTE: All component dimensions given in U.S. inches
1 inch = 25.4 mm

HARDWARE SHOWN LARGER FOR EASIER IDENTIFICATION

REPAIR PARTS

11 HP 36" TRACTOR -- MODEL NUMBER 6C1A7B

ENGINE / THROTTLE



KEY NO.	PART NO.	DESCRIPTION
1	17060408	Screw, Hex, Thrdcut 1/4-20 x 1/2
2	133025	Control, Throttle
3	-----	Engine, B&S, 11 HP, Model #28C707
4	71070512	Screw, Hex Hd
5	10040500	Washer, Lock, Hvy Hlcl Spring 5/16
6	125593X	Gasket, Exhaust
8	121094X	Bolt, Shoulder 5/16 UNC
9	19101216	Washer 5/16 x 3/4 x 16 Gauge

KEY NO.	PART NO.	DESCRIPTION
10	10040400	Washer, Lock, Hvy Hlcl Spring 1/4
11	74760416	Bolt, Hex, Fin 1/4-20 X 1
12	137437	Muffler
15	137180	Kit, Spark Arrester (Optional)
17	17490624	Screw, Hex Wsh Hd, Thdroll. 3/8-16 x 1-1/2
19	127951	Stop, Choke
23	11050600	Washer, Lock Ext. Tooth 3/8

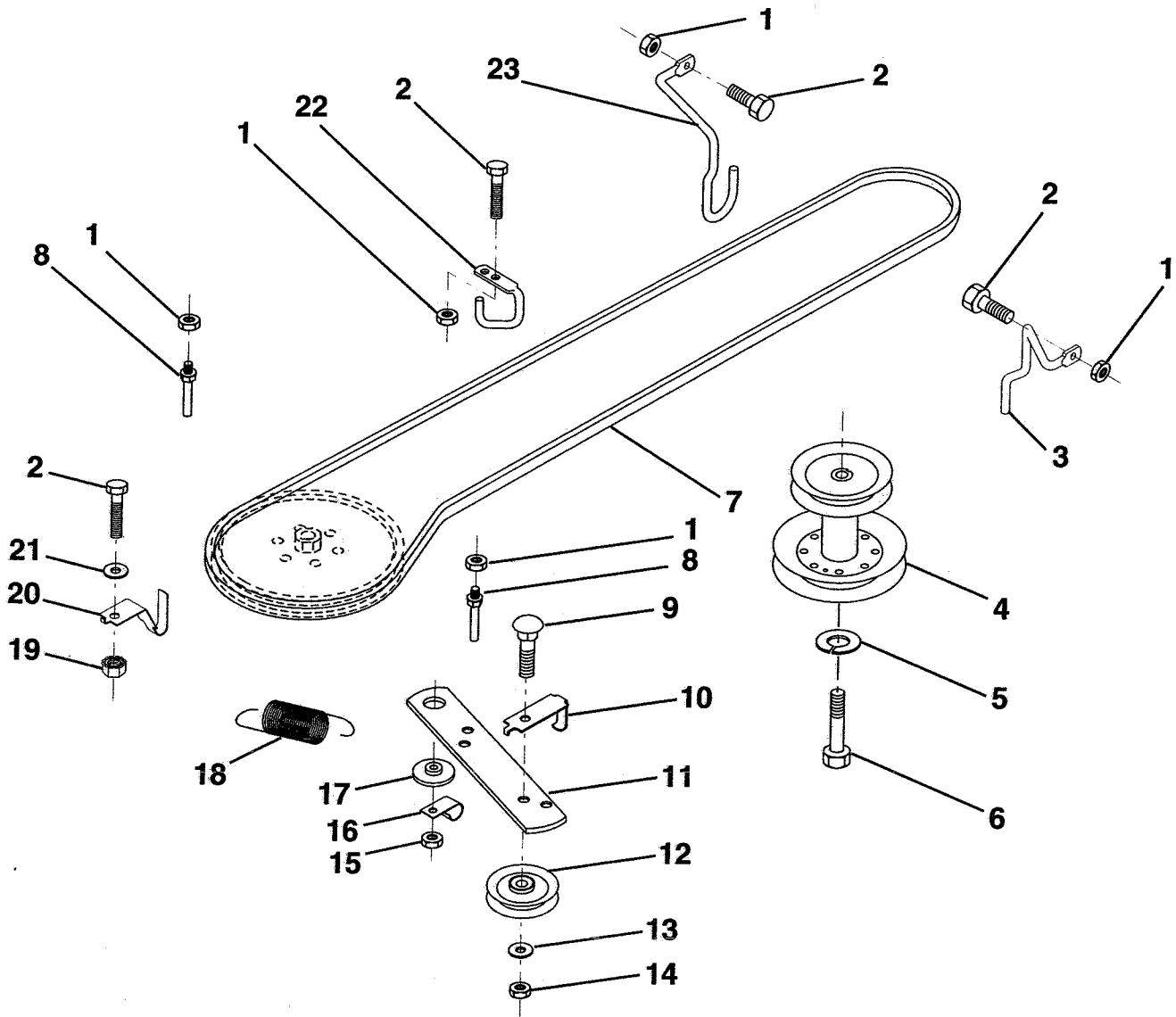
NOTE: All component dimensions given in U.S. inches
1 inch = 25.4 mm

HARDWARE SHOWN LARGER FOR EASIER IDENTIFICATION

REPAIR PARTS

11 HP 36" TRACTOR - - MODEL NUMBER 6C1A7B

GROUND DRIVE



KEY NO.	PART NO.	DESCRIPTION
1	73800500	Nut, Lock Hex W/Ins 5/16-18
2	74760512	Bolt, Hex 5/16-18 UNC x 3/4
3	141342	Keeper, Mwr Drive Belt, Engi., R.H.
4	138029	Pulley, Engine
5	10040700	Washer, Lock, Hvy Hlcl Spring 7/16
6	71170744	Bolt, Hex, 7/16-20 x 2-3/4 Grade 5
7	124525X	Traction, V-Belt Drive
8	123405X	Keeper, T/A Ground Drive Belt
9	72140612	Bolt, Carriage 3/8-16 UNC x 1-1/2
10	123396X	Keeper, Ground Drive Belt, Idler
11	140911	Arm, Ground Drive Clutch
12	123674X	Idler, Flat
13	19131316	Washer 13/32 x 13/16 x 16 Gauge

KEY NO.	PART NO.	DESCRIPTION
14	73930600	Nut, Centerlock 3/8-16 UNC
15	73800600	Nut, Lock Hex w/Wsh 3/8-16
16	126471X	Clip, Insulated
17	122052X	Spacer, Retainer
18	131459	Spring, Extension
19	73510500	Nut, Keps 5/16-18 UNC
20	139919	Keeper, T/A Ground Drive Belt
21	19111016	Washer 11/32 x 5/8 x 16 Gauge
22	123404X	Keeper, Ground Drive Belt, Frame
23	140916	Keeper, Mower Drive Belt, L.H.

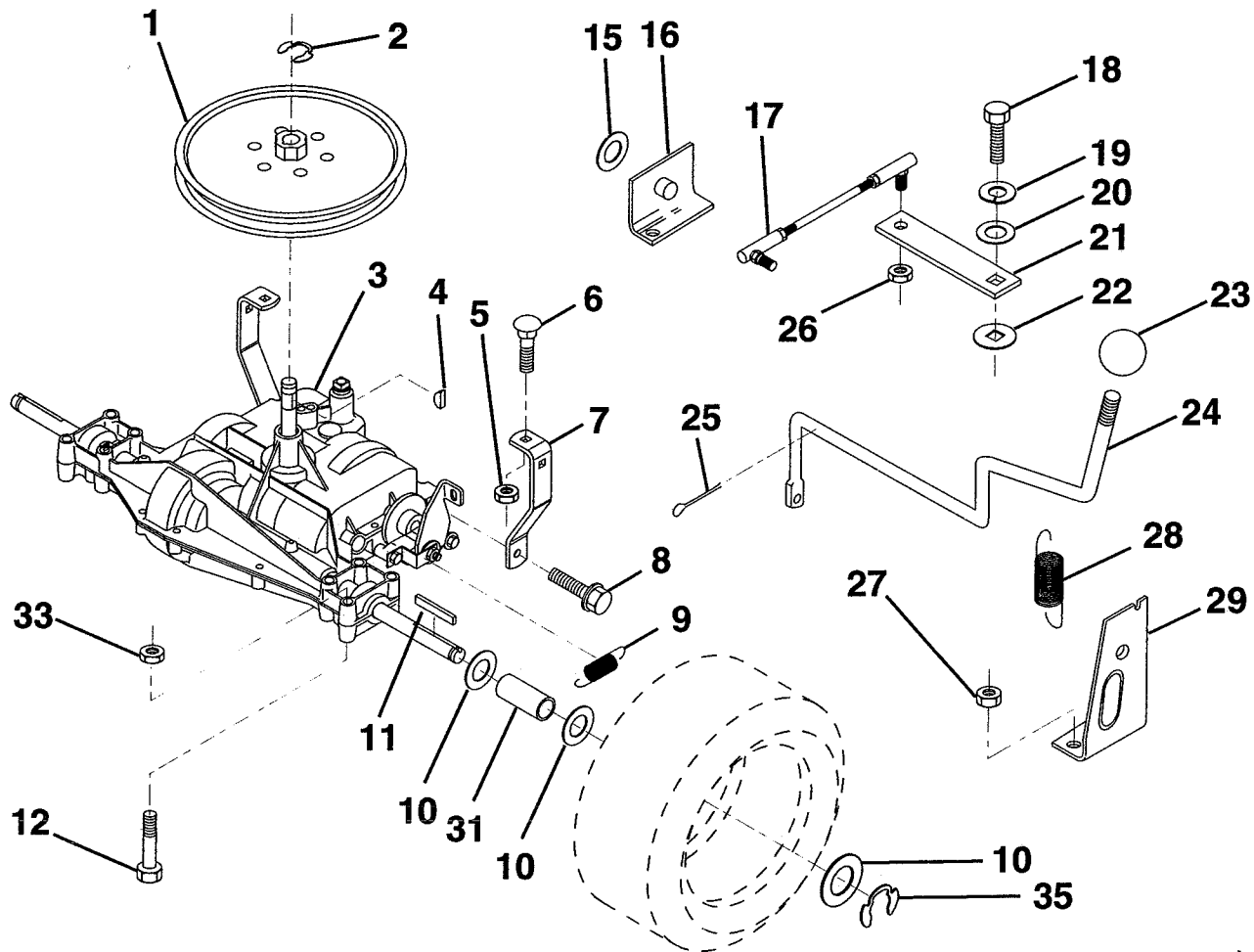
NOTE: All component dimensions given in U.S. inches
1 inch = 25.4 mm

HARDWARE SHOWN LARGER FOR EASIER IDENTIFICATION

REPAIR PARTS

11 HP 36" TRACTOR -- MODEL NUMBER 6C1A7B

TRANSAXLE



KEY NO.	PART NO.	DESCRIPTION
1	123385X	Pulley
2	1200028	Ring, Retainer
3	142594	Transaxle, Dana, Model No. 4360-77
4	2228M	Key, Woodruff #9
5	73800500	Nut, Lock Hex W/Ins 5/16-18
6	72140506	Bolt, Carriage 5/16-18 UNC x 3/4
7	123378X	Strap, Torque
8	17490512	Screw 5/16-18 x 3/4
9	110422X	Spring, Brake
10	121749X	Washer 25/32 x 1-1/4 x 16 Gauge
11	123583X	Key, Square
12	74760644	Bolt Fin Hex 5/16-18 x 2-1/2
15	19171616	Washer 17/32 x 16 Ga.
16	124600X	Support, Handle, Shift, L.H.
17	123632X	Link, Shift
18	71040412	Bolt, Hex, Fin. 1/4-28 UNF x 3/4 Grade 8

KEY NO.	PART NO.	DESCRIPTION
19	10040400	Washer, Lock 1/4
20	19091210	Washer 9/32 x 3/4 x 10 Gauge
21	123484X	Arm, Shift
22	105701X	Washer, Shift Plate
23	106933X	Knob, Shift Control
24	128215	Handle, Rod
25	76020416	Pin, Cotter 1/8 x 1
26	73810500	Nut, Hex, Nylon 5/16-24 UNF
27	73510500	Nut, Keps 5/16-18
28	128085	Spring, Extension
29	128084	Support, Handle, Shift, R.H.
31	109502X	Spacer, Split
33	73800600	Nut, Lock Hex W/Wsh 3/8-16 UNC
35	12000001	E-Ring

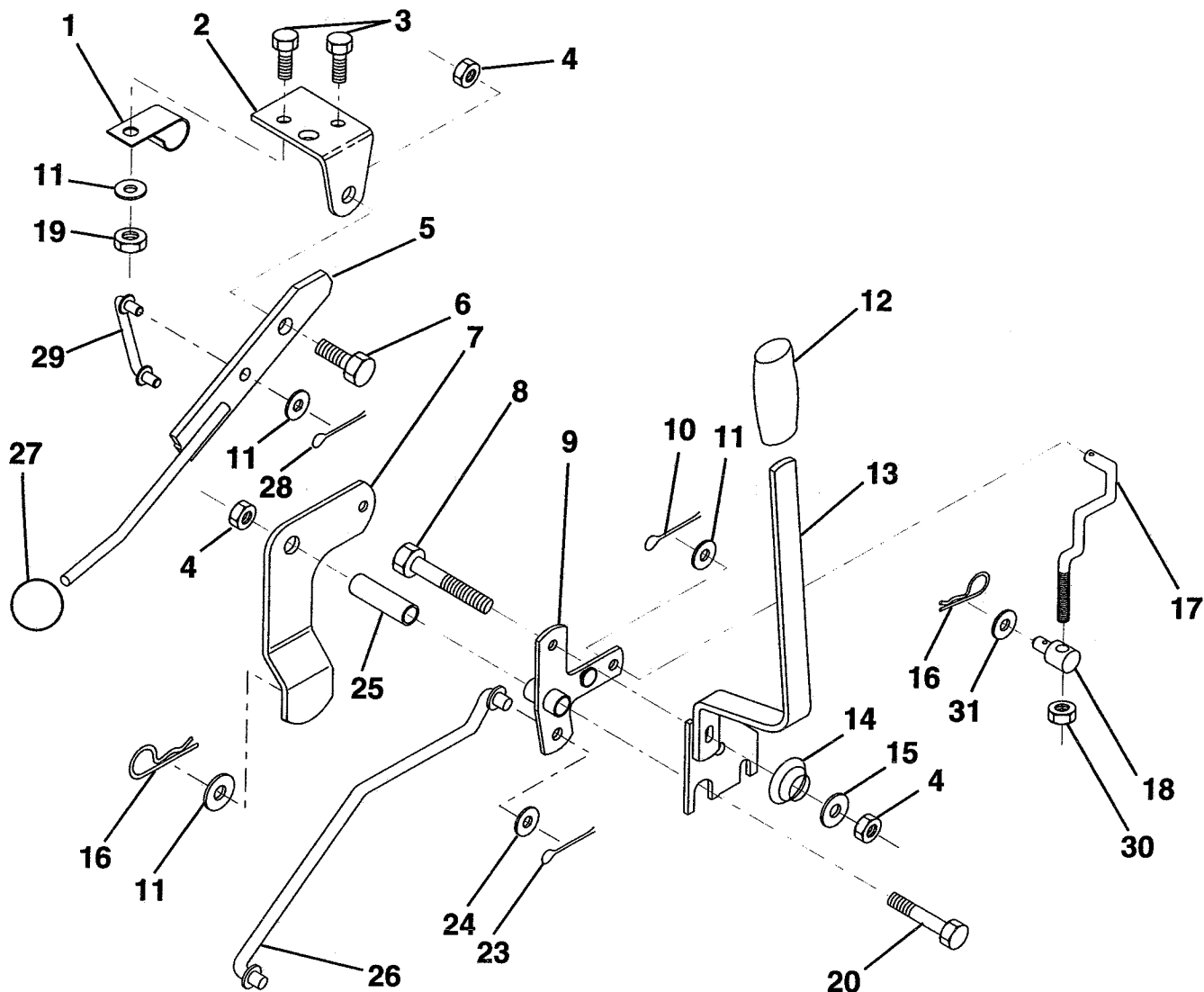
NOTE: All component dimensions given in U.S. inches
1 inch = 25.4 mm

HARDWARE SHOWN LARGER FOR EASIER IDENTIFICATION

REPAIR PARTS

11 HP 36" TRACTOR -- MODEL NUMBER 6C1A7B

MOWER LIFT LEVER



KEY NO.	PART NO.	DESCRIPTION
1	126470X	Clip, Insulated
2	122018X	Bracket, Mower Clutch
3	74780408	Bolt, Hex, Fin 1/4-20 UNC x 1/2 Grade 5
4	73800600	Nut, lock Hex W/Wsh 3/8-16
5	123417X	Assembly, Clutch Lever
6	106451X	Bolt, Shoulder
7	135371	Assembly, Mower Clutch Arm
8	74760636	Bolt, Hex 3/8-16 UNC x 2-1/4
9	121930X	Assembly, Bellcrank, Lift
10	76020412	Pin, Cotter 1/8 x 3/4
11	19131316	Washer 13/32 x 13/16 x 16 Gauge
12	131861	Sleeve, Handle
13	139352	Assembly, Lift Handle
14	123496X	Spring, Compression
15	19131212	Washer 13/32 x 3/4 x 12 Gauge

KEY NO.	PART NO.	DESCRIPTION
16	4921H	Retainer, Spring
17	127359	Link, Front Lift
18	133205	Trunnion, Threaded 3/8-16
19	73680400	Nut, Crownlock 1/4-20
20	74760644	Bolt, Hex, Fin. 3/8-16 UNC x 2-3/4
23	76020416	Pin, Cotter 1/8 x 1
24	19171616	Washer 17/32 x 1 x 16 Gauge
25	121933X	Tube, Spacer
26	141470	Rod, Mower Lift
27	106932X	Knob, Rd
28	76020312	Pin, Cotter 3/32 x 3/4
29	131655	Link, Mower Clutch
30	73350600	Nut, Hex jam 3/8-16
31	19132012	Washer 13/32 X 1-1/4 X 12 Ga.

NOTE: All component dimensions given in U.S. inches
1 inch = 25.4 mm

HARDWARE SHOWN LARGER FOR EASIER IDENTIFICATION

REPAIR PARTS

11 HP 36" TRACTOR - - MODEL NUMBER 6C1A7B

MOWER DECK

KEY NO.	PART NO.	DESCRIPTION	KEY NO.	PART NO.	DESCRIPTION
1	140064	Spring, Mower Clutch	27	129983	Housing, Mower
2	122052X	Spacer, Retainer	28	129207	Pulley, Mandrel
3	73800600	Nut, Lock Hex W/Wsh 3/8-16	29	137266	Nut, Flangelock 9/16
4	130840	Assembly, Brake	30	136631	Bracket, Deflector
5	131251	Guide, Belt Idler	31	17490508	Screw, Hex Washer Head, Thd. Roll. 5/16-18 x 1/2
6	121316X	Idler, Flat	32	122051X	Arm, Support Idler, Mower
7	72110616	Bolt, Carriage 3/8-16 x 2 Grade 5	33	131560	Shield, Deflector
8	19131410	Washer 13/32 x 7/8 x 10 Gauge	36	121980X	Rod, Hinge
9	140092	Assembly, Mower Idler Arm	37	123713X	Spring, Torsion Deflector
10	72140610	Bolt, Carriage 3/8-16 UNC x 1-1/4	38	105304X	Cap, Sleeve
11	130841	Rod, Brake	39	19111016	Washer 11/32 x 5/8 x 16 Gauge
12	127356	Bracket, Rear Lift, R.H.	40	110452X	Nut, Push
13	72140505	Bolt, Carriage 5/16-18 UNC x 5/8	41	131264	V-Belt
14	73800500	Nut, Lock Hex W/Ins. 5/16-18	42	19171616	Washer 11/32 x 5/8 x 16 Gauge
15	127357	Bracket, Rear Lift, L.H.	43	3146R	Clip, Hairpin
16	140093	Keeper, R.H.	44	140608	Keeper, L.H.
17	128508	Stabilizer, Mower Link	45	110485X	Bearing
18	128511	Pin, Drive	46	128774	Housing, Mandrel, Vented
19	127380	Bracket, Stabilizer Link	47	129895	Bearing
20	140101	Blade	48	137645	Shaft, Mandrel (Includes Key Number 47)
21	140296	Washer, Hard	49	133943	Washer, Hardened
22	10030600	Washer, Lock, Heavy 3/8	--	130794	Mandrel Assembly (Includes Key Numbers 21-23, 26, 29 and 45-48)
23	850857	Bolt 3/8-24 x 1-1/4 Grade 8	--	140979	Deck, Mower Complete
24	140329	Stripper			
25	138776	Screw, Thdrol Hex Head			
26	129963	Washer .150 Thick			

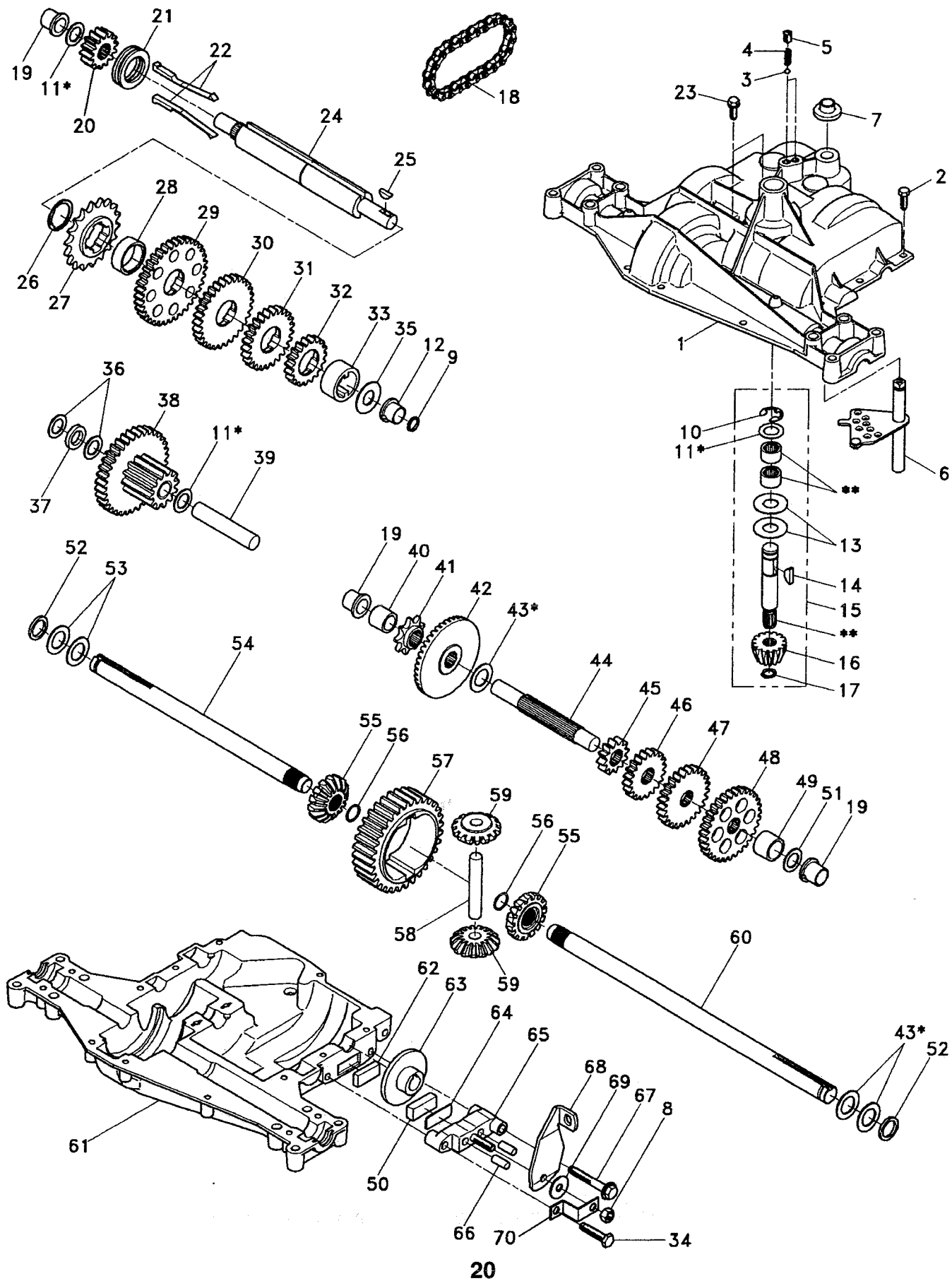
NOTE: All component dimensions given in U.S. inches
1 inch = 25.4 mm

HARDWARE SHOWN LARGER FOR EASIER IDENTIFICATION

REPAIR PARTS

11 HP 36" TRACTOR -- MODEL NUMBER 6C1A7B

DANA TRANSAXLE - MODEL NUMBER 4360-77



REPAIR PARTS

11 HP 36" TRACTOR - - MODEL NUMBER 6C1A7B

DANA TRANSAXLE - MODEL NUMBER 4360-77

KEY PART NO. NO.	DESCRIPTION	KEY PART NO. NO.	DESCRIPTION
1 142671	Housing, Upper	39 124639X	Shaft, Idler
2 2274J	Screw, Self-Tapping, Large 1/4-20 x .734	40 120472X	Spacer .635 x .875 x .755
3 134400	Ball, Detent	41 105928X	Sprocket, 9 Teeth
4 105904X	Spring, Detent	42 110084X	Gear, Bevel, 42 Teeth
5 105905X	Screw, Set	43 134394	* Assembly, Kit, Shim .750 Shaft
6 138235	Kit, Shifter Assembly	44 120473X	Shaft, Drive
7 134399	Boot, Shifter	45 142678	Gear, Spur, 12 Teeth
8 73810500	Locknut 5/16-24	46 120407X	Gear, Spur, 20 Teeth
9 143045	Seal, Oil	47 106589X	Gear, Spur, 25 Teeth
10 142672	Ring, Retaining	48 105937X	Gear, Spur, 31 Teeth
11 134793	* Assembly, Kit, Shim .625 Shaft	49 120523X	Spacer .781 x 1.00 x .750
12 143051	Bearing, Flange	50 120951X	Puck, Friction
13 120415X	Washer, Plain .632 x 1.38 x .046	51 2226J	Washer, Plain .632 x 1.00 x .060
14 142674	Key, Woodruff, #9	52 134401	Washer, Neoprene
15 138234	Assembly, Kit, Input Shaft	53 2264J	Washer, Plain .758 x 1.25 x .031
16 110078X	Pinion, Bevel, 14 Teeth	54 120474X	Axle, L.H.
17 105909X	Ring, Retaining	55 110081X	Gear, Miter, 15 Teeth
18 105910X	Chain, 24 Pitches	56 105941X	Ring, Retaining
19 105911X	Bearing, Flange	57 110071X	Gear, Spur, 32 Teeth
20 142675	Gear, Spur, 14 Teeth	58 120952X	Shaft, Cross
21 138246	Collar, Clutch	59 110082X	Gear, Miter, 15 Teeth
22 138236	Assembly, Kit, Clutch Keys	60 120475X	Axle, R.H.
23 134791	Screw, Tapping w/Sealer	61 142680	Housing, Lower
24 142676	Shaft, Intermediate	62 120961X	Puck, Friction
25 2244J	Key, Woodruff, #61	63 7294J	Disc, Brake
26 105916X	Ring, Retaining	64 108989X	Spacer
27 120470X	Sprocket, 18 Teeth	65 120953X	Jaw, Brake
28 110070X	Spacer	66 120954X	Pin, Dowel
29 142677	Gear, Spur, 37 Teeth	67 134799	Screw, Self-Tapping, Large 5/16-18 x 2.25
30 120405X	Gear, Spur, 30 Teeth	68 138244	Lever, Actuating
31 108980X	Gear, Spur, 25 Teeth	69 108996X	Washer, Plain .321 x 1.00 x .055
32 134796	Gear, Spur, 19 Teeth	70 120956X	Bracket, Anti-Rotation
33 138239	Spacer 1.133 x 1.50 x .750	71 120416X	Grease
34 106596X	Screw, Self-Tapping, Large 5/16-18 x 1.44		
35 105925X	Washer, Plain .640 x 1.37 x .061		
36 2232J	Washer, Plain .632 x 1.00 x .026		
37 108978X	Spacer .630 x 1.00 x .169		
38 110079X	Assembly, Gear, Combination of 12 Teeth and 35 Teeth		

* Use in combinations to maintain proper clearances

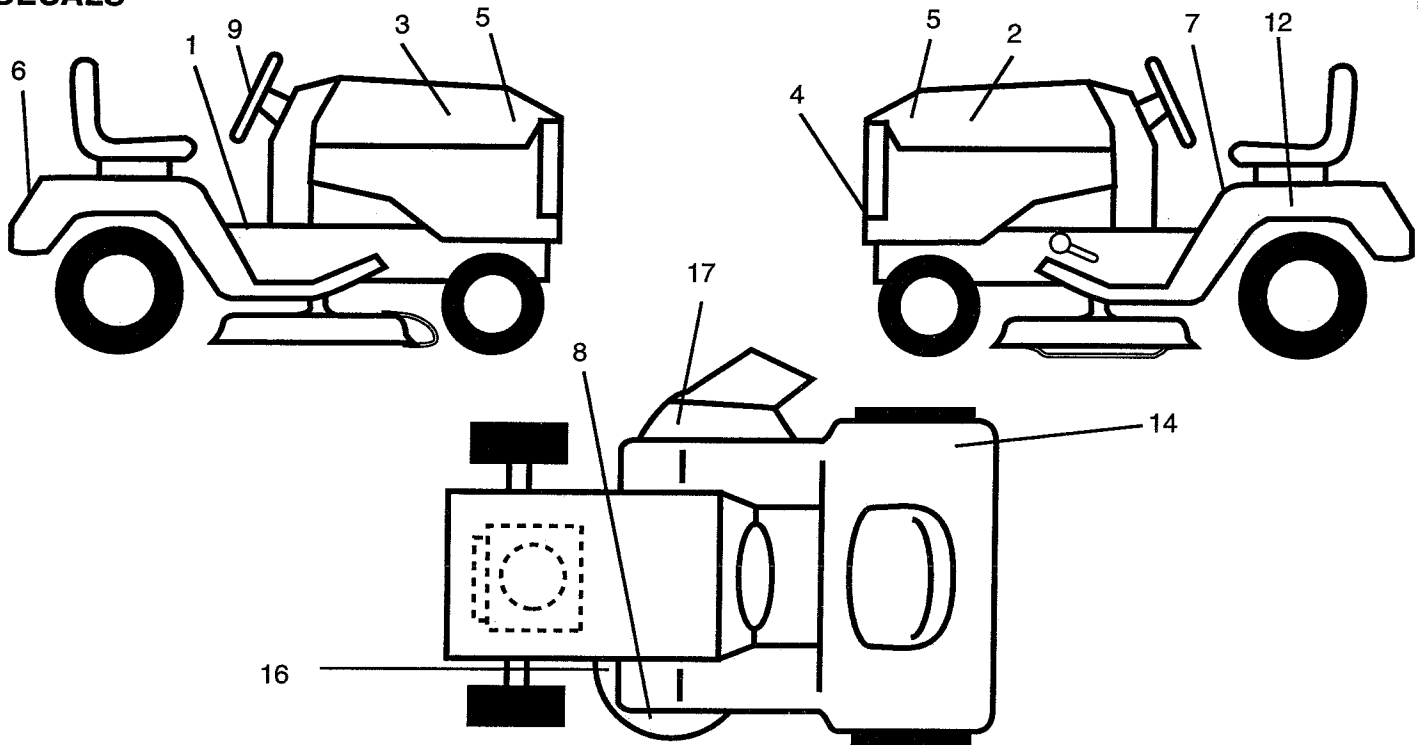
** Order Key No. 15

NOTE: All component dimensions given in U.S. inches
1 inch = 25.4 mm

REPAIR PARTS

11 HP 36" TRACTOR -- MODEL NUMBER 6C1A7B

DECALS



KEY PART NO. NO.

KEY PART NO. NO.	DESCRIPTION
1 138269	Decal, Inst. Oper. E/F
2 141744	Decal, Stripe, Hood, L.H.
3 141743	Decal, Stripe, Hood, R.H.
4 132627	Decal, Grill
5 139708	Decal, Hood HP
6 132628	Decal, Fender
7 133795	Decal, Caution
8 135013	Decal, Deck Enviro.
9 127075	Decal, Wheel Steering
12 121549X	Decal, Caution, Battery
14 125690X	Decal 100 DbA
16 137259	Decal, Warning, Multi-Lang

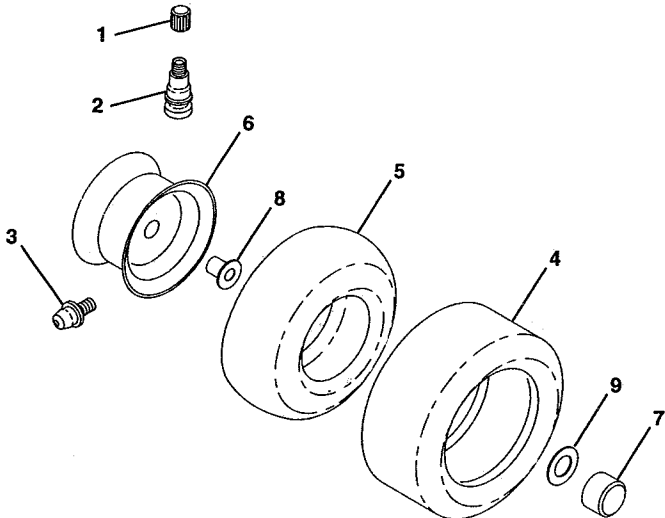
KEY PART NO. NO.

KEY PART NO. NO.	DESCRIPTION
17 136830	Decal, V-Belt, Schem.
-- 126194X	Decal, Caution, Def. (E/Fr/Ger/Du)
-- 126347X	Decal, Warn. Deflect. (Span/Ital)
-- 126348X	Decal, Inst. Warn (Span/Ital)
-- 138270	Decal, Inst. Warn (Sw/Nor/Dan/Fin)
-- 138269	Decal, Inst. Oper. LR (Eng/Fr)
-- 126193X	Decal, Warn Def. (Sw/Nor/Dan/Fin)
-- 138271	Decal, Inst. Warn (Fr/Ger/Eng/Dut)
-- 142984	Manual, Operator's (Euro.)
-- 142985	Manual, Operator's (Scandi.)
-- 144307	Manual, Repair Parts (Eng/Fr)

Available accessories are not included with your tractor:

- CE36 Rear Bagger
- MP36 Mulcher Kit

WHEELS & TIRES



KEY PART NO. NO.

KEY PART NO. NO.	DESCRIPTION
1 59192	Cap, Valve
2 65139	Stern, Valve
3 278H	Fitting, Grease (Front Only)
4 124142X	Tire, Front
124143X	Tire, Rear
5 59904	Tube, Tire, Front
8134H	(Optional, Service Item Only)
	Tube, Tire, Rear
	(Optional, Service Item Only)
6 122394X427	Rim Assembly, Front
140325X427	Rim Assembly, Rear
7 104757X	Cap, Axle
8 9040H	Bearing, Flange (Front Only)
9 121748X	Washer, Axle Cap

NOTE: All component dimensions given in U. S. inches
1 inch = 25.4 mm