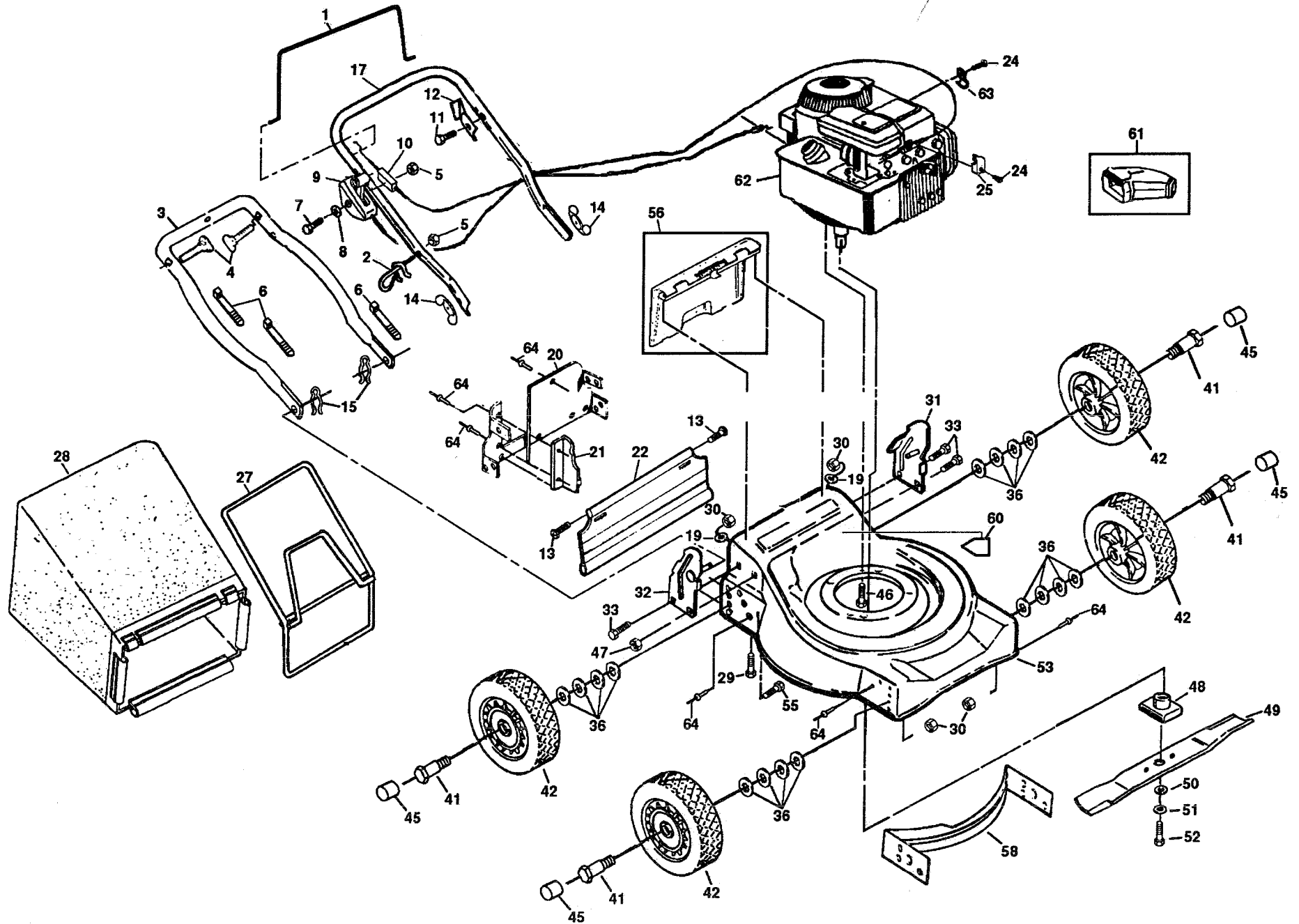


REPAIR PARTS

20" ROTARY LAWN MOWER -- MODEL NO. 951300



REPAIR PARTS

20" ROTARY LAWN MOWER -- MODEL NO. 951300

KEY NO.	PART NO.	DESCRIPTION	KEY NO.	PART NO.	DESCRIPTION
	1 86902	Control Bar	33	55187	Screw 5/16-18 x 3/4
	2 132001	Rope Guide	36	74316	Flat Washer
	3 84676X479	Lower Handle	41	67609	Shoulder Bolt
	4 131959	Handle Bolt	42	800220	Wheel Assembly 8.0 x 1-3/4
	5 63601	Locknut 1/4-20	45	800090	Hub Cap
	6 66426	Wire Tie	46	850998	Hex Head Thread Rolling Screw 3/8-16 x 1
	7 85692	Machine Screw 1/4-20 x 2-1/8	47	63124	Locknut 5/16-18
	8 85723	Washer	48	850977	Blade Adapter
	9 851462	Throttle Control	49	850972	20" Blade
	10 851671	Engine Zone Control Cable	50	851074	Hardened Washer
	11 750097	Hex Washer Head Screw #10-24 x 1/2	51	850263	Helical Lockwasher
	12 850733X004	Up-Stop Bracket	52	851084	Hex Head Screw 3/8-24 x 1-3/8 Gr. 8
	13 88652	Hinge Screw 1/4-20 x 1.25	53	134551	Housing Assembly (Includes Key No's. 20-21, 58 & 60)
	14 128638	Wing Nut	55	72070505	Carriage Bolt 5/16-18 x 5/8
	15 51793	Hairpin Cotter	56	48138	Rear Door Assembly Kit
	17 132649X479	Upper Handle	58	132198X479	Front Baffle
	19 61537	Washer	60	107339X	Danger Decal
	20 132364X508	Back Plate	61	-----	MA36 Clipping Deflector (Not Included with Lawn Mower)
	21 133184X479	Side Baffle	62	-----	*Engine - Briggs & Stratton Model No. 95902
	22 133259	Rear Skirt	63	850472	Cable Clip
	24 83816	Screw #10 x 5/8	64	128415	Pop Rivet
	25 213146	* Cable Clamp	--	135802	Owner's Manual
	27 750532	Catcher Frame			
	28 134553	Grass Bag			
	29 54583	Hex Tapping Screw 1/4-20 x 1/2			
	30 751592	Locknut 3/8-16			
	31 81964X508	Handle Bracket Assembly (Left)			
	32 81963X508	Handle Bracket Assembly (Right)			

*These parts must be purchased through an authorized Briggs & Stratton dealer.