

ILLUSTRATED PARTS LIST

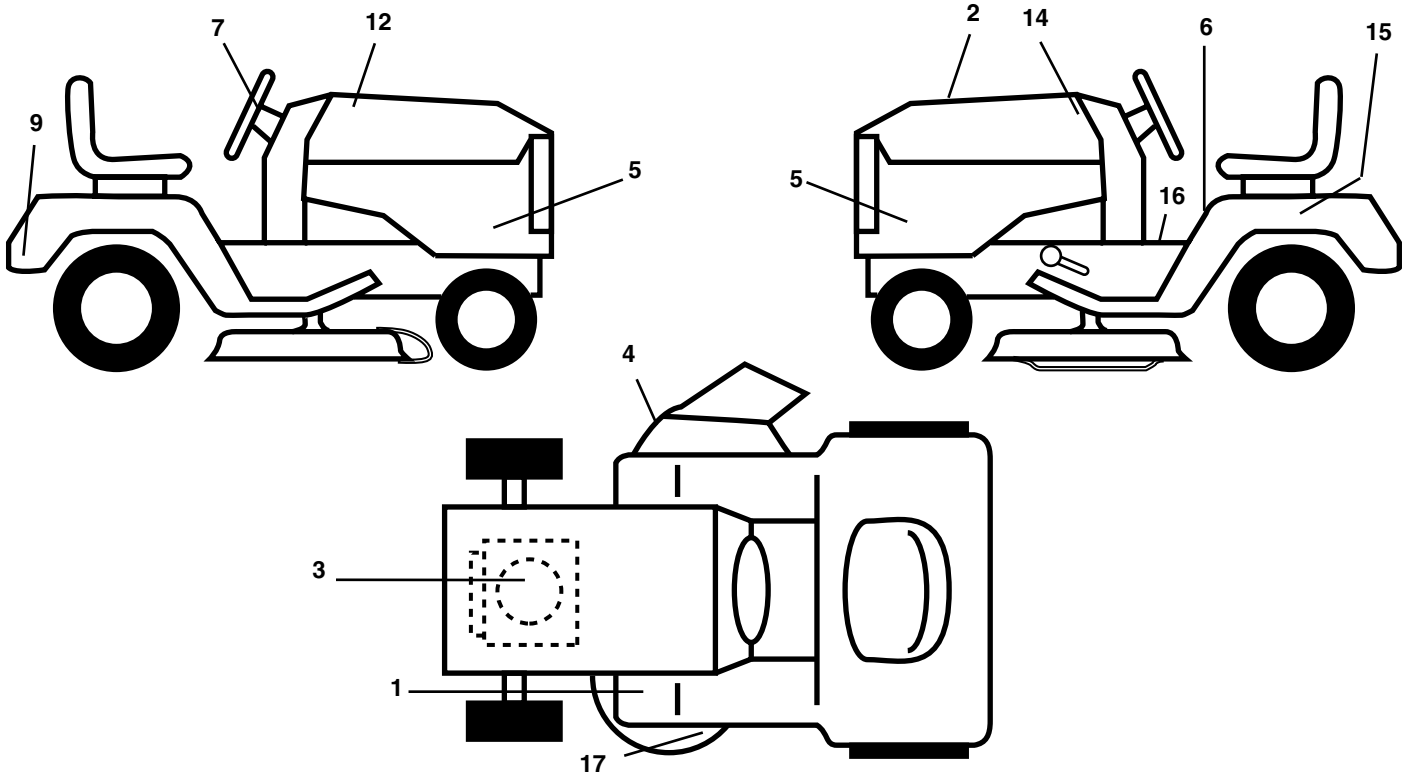
MODEL NO. 96012004400

CUSTOMER CATALOG NO. PB1638LT

PRODUCT NO. 960 12 00-44

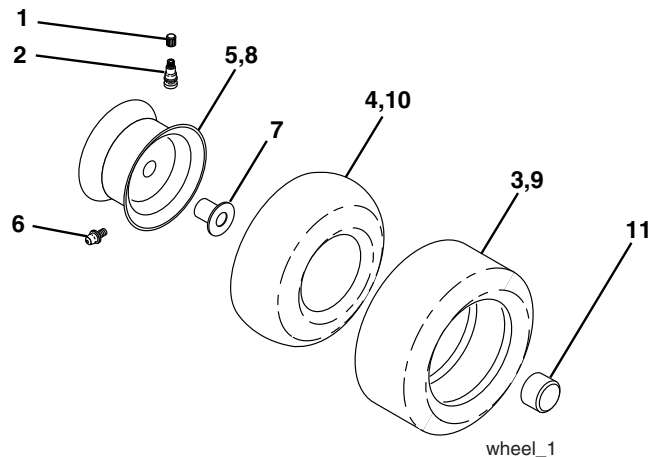
REPAIR PARTS

TRACTOR - - MODEL NUMBER PB1638LT (96012004400). PRODUCT NO. 960 12 00-44
DECALS



KEY NO.	PART NO.	DESCRIPTION	KEY NO.	PART NO.	DESCRIPTION
1	181251	Decal, Clutch Brake	12	194543	Decal, Hood RH
2	196744	Decal, Replacement	14	194544	Decal, Hood LH
3	189683	Decal, Engine HP	15	145005	Decal, Caution, Battery
4	170563	Decal Warning	16	193864	Decal, Oper Sdl P/L Gear Dr Eng
5	401063	Decal, SDPNL	17	194302	Decal, V-Belt Sch.
6	157140	Decal, Fender Danger English	--	138311	Decal, Handle Lft Height Adj.
7	189705	Decal Ins Str Wh	--	401152	Manual, Operator's E&F
9	158166	Decal Fender	--	401153	Manual, Parts E&F

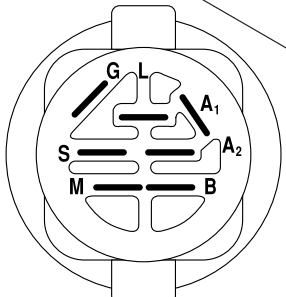
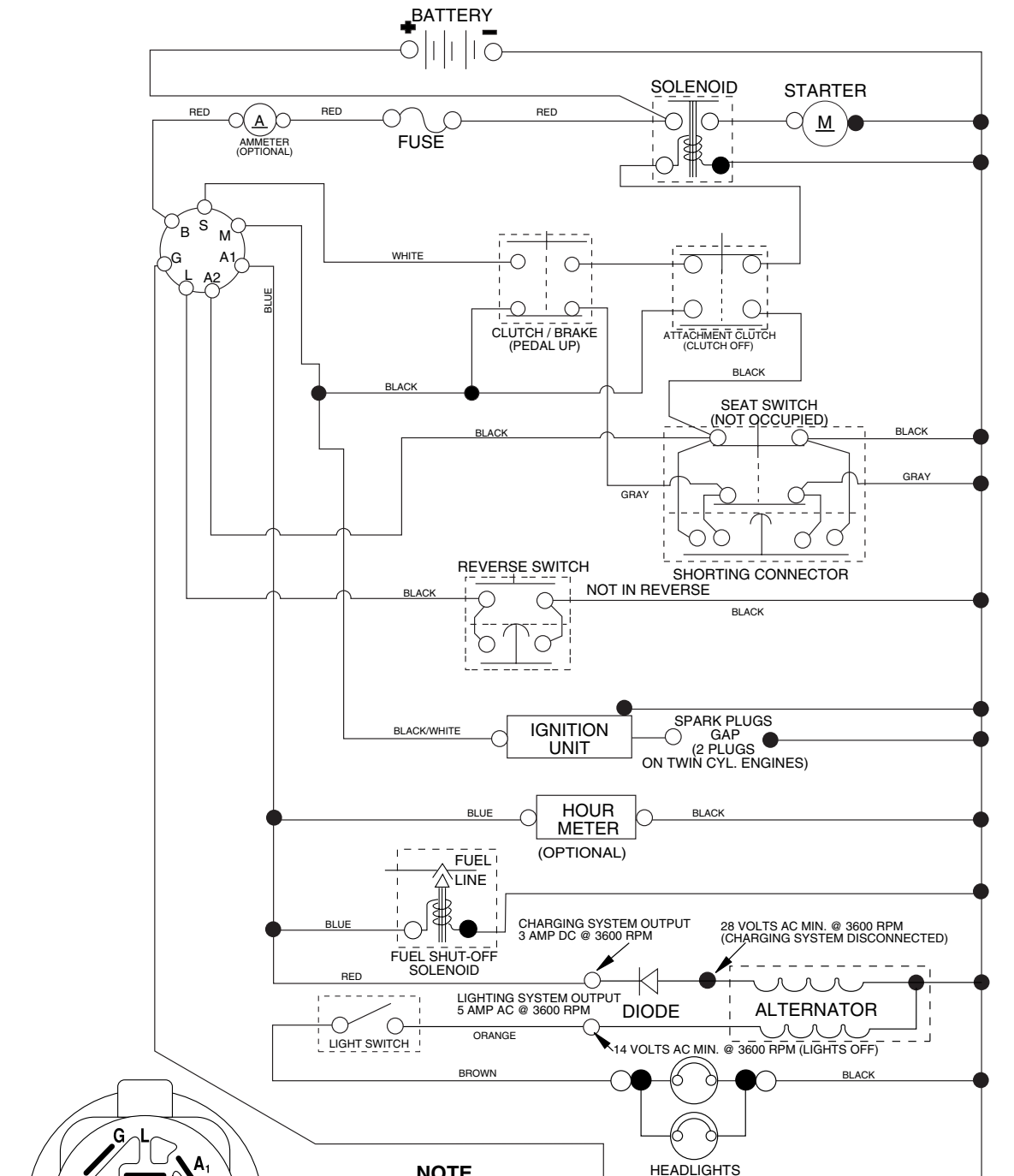
WHEELS & TIRES



KEY NO.	PART NO.	DESCRIPTION
1	59192	Cap, Tire valve
2	65139	Stem, Valve
3	124157X	Tire, Front
4	59904	Tube, Front (Service item only)
5	106732X624	Rim assembly, 6" front
6	278H	Fitting, Grease (Front wheel only)
7	9040H	Bearing, Flange (Front wheel only)
8	106108X624	Rim assembly, 8" rear
9	123969X	Tire, Rear
10	7152J	Tube, Rear (Service item only)
11	104757X428	Cap, Hub Axle
--	144334	Sealant, Tire (10 oz. Tube)

NOTE: All component dimensions given in U.S. inches
1 inch = 25.4 mm

TRACTOR - - MODEL NUMBER PB1638LT (96012004400). PRODUCT NO. 960 12 00-44 SCHEMATIC



IGNITION SWITCH

POSITION	CIRCUIT "MAKE"
OFF	M+G+A1
RUN/OVERRIDE	B+A1
RUN	B+A1 L+A2
START	B + S + A1

NOTE
YOUR TRACTOR IS EQUIPPED WITH A SPECIAL ALTERNATOR SYSTEM. THE LIGHTS ARE NOT CONNECTED TO THE BATTERY, BUT HAVE THEIR OWN ELECTRICAL SOURCE. BECAUSE OF THIS, THE BRIGHTNESS OF THE LIGHTS WILL CHANGE WITH ENGINE SPEED. AT IDLE THE LIGHTS WILL DIM. AS THE ENGINE IS SPEEDED UP, THE LIGHTS WILL BECOME THEIR BRIGHTEST.



WIRING INSULATED CLIPS
NOTE: IF WIRING INSULATED CLIPS WERE REMOVED FOR SERVICING OF UNIT, THEY SHOULD BE REPLACED TO PROPERLY SECURE YOUR WIRING.

02836

REPAIR PARTS

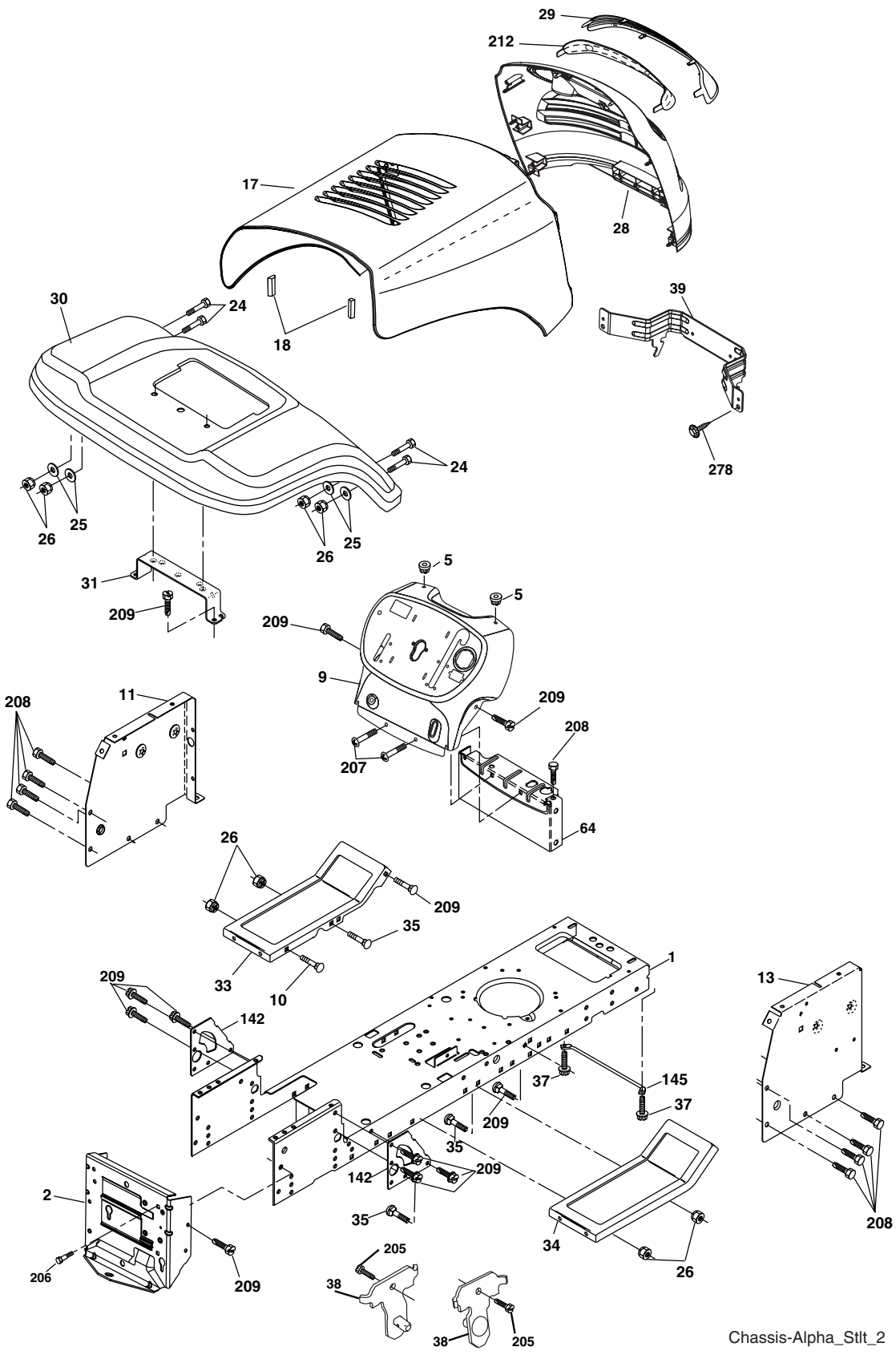
TRACTOR - - MODEL NUMBER PB1638LT (96012004400). PRODUCT NO. 960 12 00-44
ELECTRICAL

KEY NO.	PART NO.	DESCRIPTION
1	163465	Battery
2	74760412	Bolt Hex Hd 1/4-20 unc x 3/4
8	176689	Box Battery
16	176138	Switch Interlock
21	175688	Harness Asm Light W/4152j
22	4152J	Bulb Light #1156
24	4799J	Cable Battery 6 Ga. 11"red
25	146147	Cable Battery
26	175158	Fuse 20 AMP
27	73510400	Nut Keps Hex 1/4-20 unc
28	4207J	Cable Ground 6 Ga. 12"black
29	192749	Switch
30	193350	Switch Ign
33	140401	Key Ign
34	110712X	Switch Light/Reset
40	197428	Harness Ign
41	71110408	Bolt Blk Fin Hex 1/4-20
42	131563	Cover Terminal Red
43	192507	Solenoid
48	140844	Adapter Ammeter
52	141940	Protection Wire Loop
90	180449	Cover Terminal Battery
92	193465	Harness Pigtail
93	192540	Screw Plastite 10-14 x 2.0
94	191834	Module Reverse

NOTE: All component dimensions given in U. S. inches 1 inch = 25.4 mm.

REPAIR PARTS

TRACTOR - - MODEL NUMBER PB1638LT (96012004400). PRODUCT NO. 960 12 00-44
CHASSIS



Chassis-Alpha_Stlt_2

REPAIR PARTS

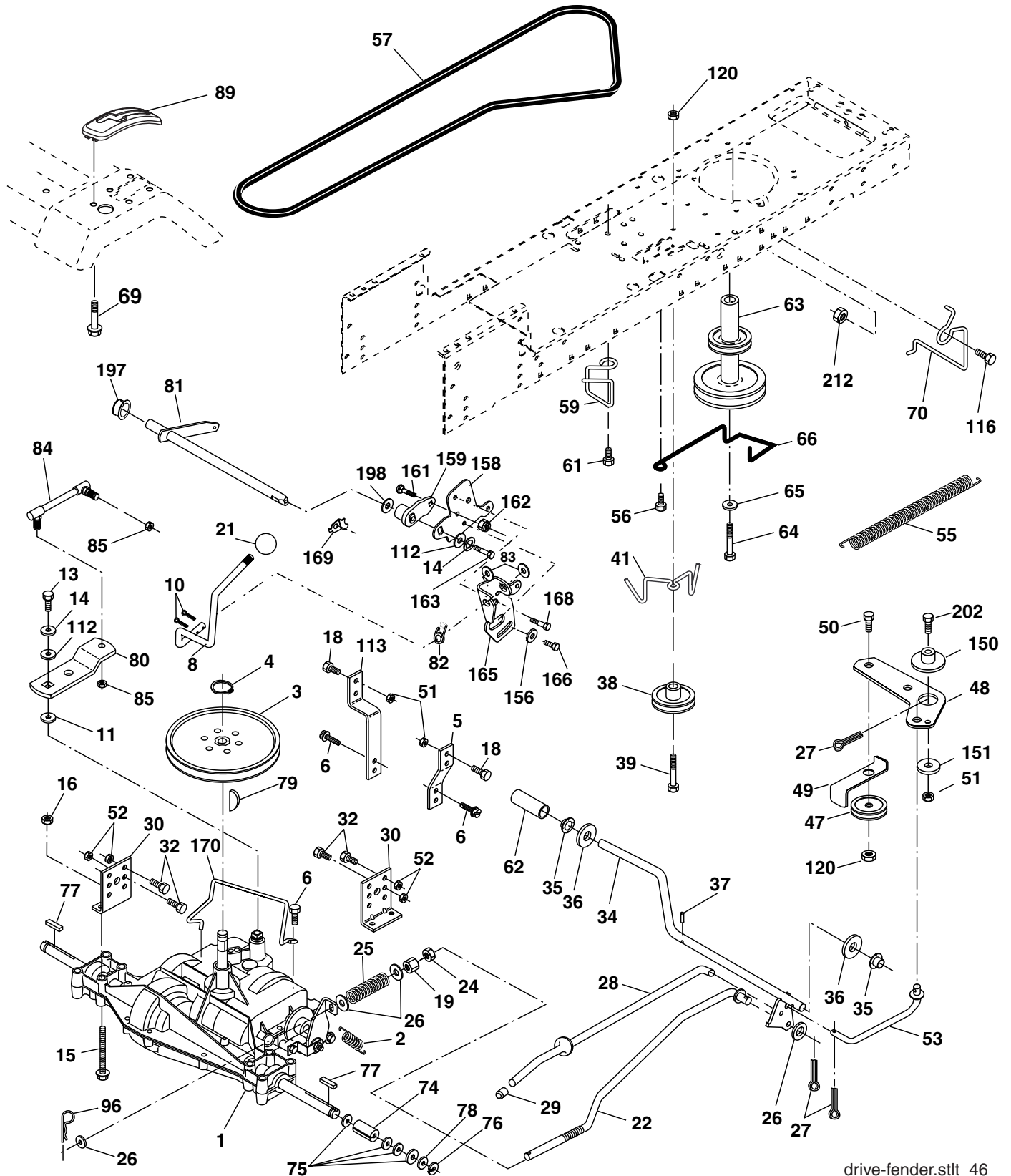
TRACTOR - - MODEL NUMBER PB1638LT (96012004400). PRODUCT NO. 960 12 00-44
CHASSIS

KEY NO.	PART NO.	DESCRIPTION
1	174619	Chassis
2	176554	Drawbar, Stretch
5	155272	Bumper, Hood/Dash
9	193510X010	Dash
10	72140608	Bolt, Carriage 3/8-16 x 1
11	174996	Panel Dash LH
13	172105X010	Panel Silscr Dash RH
17	187559X428	Hood
18	184921	Bumper Hood
24	74780616	Bolt Fin Hex 3/8-16 unc x 1 Gr. 5
25	19131312	Washer 13/32 x 13/16 x 12 Ga.
26	73800600	Nut Lock Hex w/Ins 3/8-16 unc
28	187598	Grille/Lens Asm (Include Key nos. 29 and 212)
29	187567X599	Lens Grille Basic Bar
30	192526X428	Fender
31	136619	Bracket Fender Repl 109873X
33	179716X428	Footrest Pnt LH
34	179717X428	Footrest Pnt RH
35	72110606	Bolt Rdhd Sht Sqnk 3/8-16 x 3/4
37	17490508	Screw Thdrol 5/16-18 x 1/2 TYT
38	175710	Bracket Asm. Pivot Mower
39	187568	Bracket Pivot
64	154798	Dash Lower
142	175702	Plate Reinforcement
145	156524	Rod Pivot Chassis/Hood
205	17490608	Screw Thdrol 3/8-16 x 1/2
206	170165	Bolt Shoulder 5/16-18
207	17670508	Screw Thdrol 5/16-18 x 1/2
208	17670608	Screw Thdrol 3/8-16 x 1/2
209	17000612	Screw Hex Wsh Thdrol 3/8-16
212	187569	Insert Lens Reflect
278	191611	Screw 10 x 3/4 Single Lead-Hex
--	5479J	Plug Button Blk 359 Dia Choke
--	187801	Plug Dome Plastic

NOTE: All component dimensions given in U.S. inches
1 inch = 25.4 mm.

REPAIR PARTS

TRACTOR -- MODEL NUMBER PB1638LT (96012004400). PRODUCT NO. 960 12 00-44
DRIVE



drive-fender.stlt_46

REPAIR PARTS

TRACTOR - - MODEL NUMBER PB1638LT (96012004400). PRODUCT NO. 960 12 00-44 DRIVE

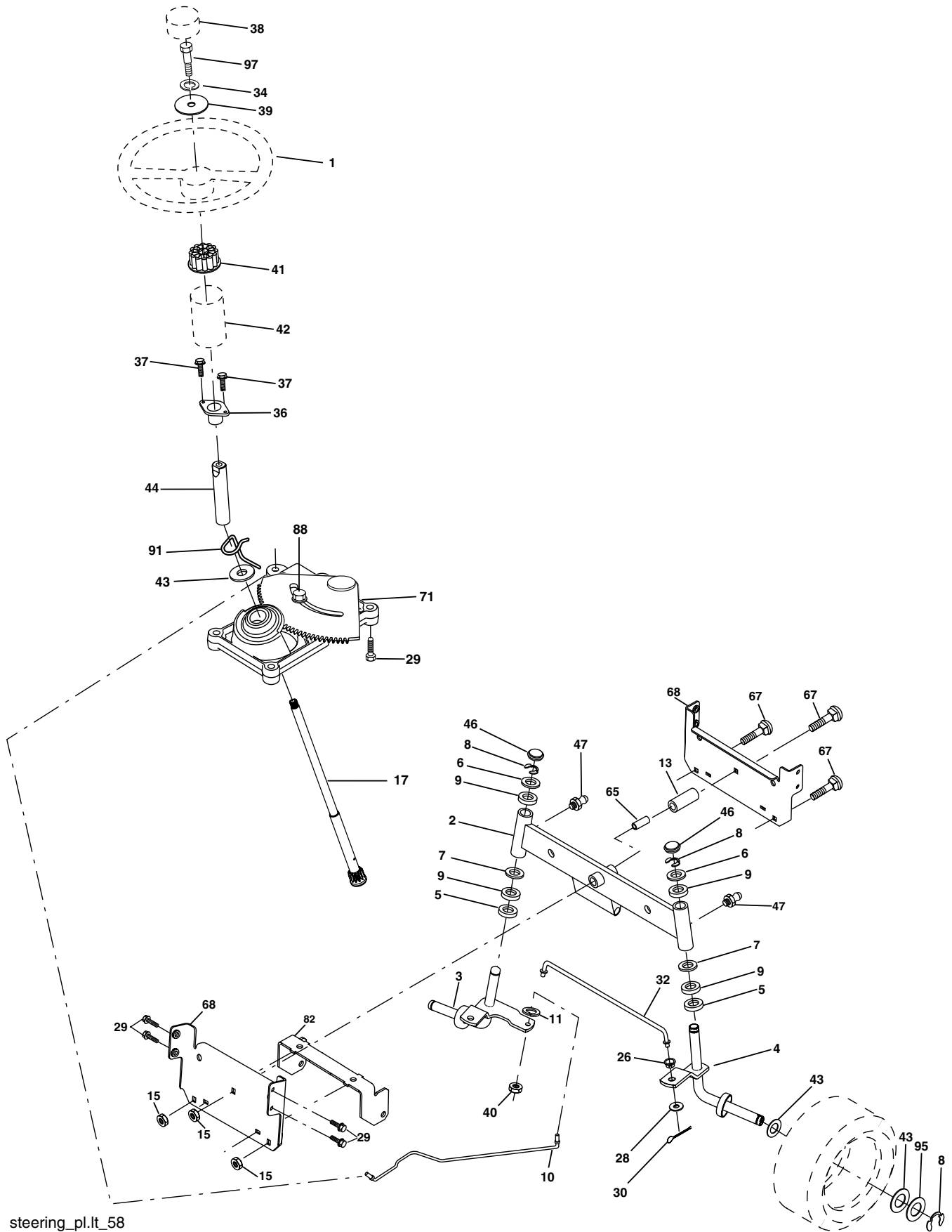
KEY NO.	PART NO.	DESCRIPTION	KEY NO.	PART NO.	DESCRIPTION
1	-----	Transaxle Peerless (205-544C) (Order parts from transaxle manufacturer)	62	8883R	Cover Pedal Blk Round
2	146682	Spring Return Brake T/a Zinc	63	175410	Engine Pulley
3	123666X	Pulley Transaxle 18" tires	64	173937	Bolt Hex
4	12000028	Ring Retainer # 5100-62	65	10040700	Washer Lock Hvy Hlcl Spr 7/16
5	121520X	Strap Torque 30 Degrees	66	154778	Keeper Belt Engine Foolproof
6	17000512	Screw 5/16-18 x 3/4	69	142432	Screw Hex wsh HiLo 1/4 x 1/2 unc
8	192706	Rod Shift Fender Adjust Lt	70	134683	Guide Belt Mower Drive RH
10	76020416	Pin Cotter 1/8 x 1 Cad	74	137057	Spacer Axle
11	105701X	Washer Plate Shf 388 Sq Hole	75	121749X	Washer 25/32 x 1 1/4 x 16 Ga.
13	74550412	Bolt 1/4-28 unF Gr. 8 W/Patch	76	12000001	E-ring #5133-75
14	10040400	Washer Lock Hvy Helical	77	123583X	Key Square 2 0 x 1845/ 1865
15	74490544	Bolt Hex FLGHD 5/16-18 Gr. 5	78	121748X	Washer 25/32 x 1-5/8 x 16 Ga.
16	73800500	Nut Lock Hex w/ins 5/16-18	79	2228M	Key Woodruff #9 3/16 x 3/4
18	74780616	Bolt, Fin Hex 3/8-16 unc x 1 Gr. 5	80	131486	Arm Shift
19	73800600	Nut Lock 3/8-16 unc	81	165594	Shaft Asm Cross Tapered PMST/20
21	106933X	Knob	82	165711	Spring Torsion T/a
22	130804	Rod Brake Blk Zinc 26 840	83	19171216	Washer 17/32 x 3/4 x 16 Ga.
24	73350600	Nut Hex Jam 3/8-16 unc	84	166228	Link Transaxle Dana/18" Zinc
25	106888X	Spring Rod Brake 2 00 Zinc	85	150360	Nut Lock Center 1/4 - 28 FNTHD
26	19131316	Washer 13/32 x 13/16 x 16 Ga.	89	192054X428	Console Shift STLT
27	76020412	Pin Cotter 1/8 x 3/4 Cad	96	4497H	Retainer Spring 1"
28	175765	Rod Brake Parking LT/YT	112	19091210	Washer 9/32 x 3/4 x 10 Ga.
29	71673	Cap Brake Parking	113	127285X	Strap Torque LT
30	174973	Bracket Mtg Transaxle	116	72140608	Bolt Rdhd Sq Neck 3/8-16 x 1
32	74760512	Bolt Hex Hd 5/16-18 unc x 3/4	120	73900600	Nut Lock Flg. 3/8-16 unc
34	175578	Shaft Asm Pedal Foot	150	175456	Spacer Retainer
35	120183X	Bearing Nylon Blk 629 Id	151	19133210	Washer 13/32 x 2 x 10
36	19211616	Washer 21/32 x 1 x 16 Ga.	156	166002	Washer Srrted 5/16ID x 1.125
37	1572H	Pin Roll 3/16 x 1"	158	165589	Bracket Shift Mount
38	179114	Pulley Composite Flat	159	183900	Hub Tapered Flange Shift Lt
39	72110622	Bolt RDHD 3/8-16 unc x 2-3/4 Gr. 5	161	72140406	Bolt Rdhd Sqnk 1/4-20 x 3/4
41	175556	Keeper Belt Flat Idler	162	73680400	Nut Crownlock 1/4-20 unc
47	127783	Pulley Idler V Groove Plastic	163	74780416	Bolt Hex Fin 1/4-20 unc x 1 Gr. 5
48	154407	Bellcrank Asm	165	165623	Bracket Pivot Lever
49	123205X	Retainer Belt Style Spring	166	17490510	Screw 5/16-18 x 5/8
50	72110612	Bolt Carr. Sh. 3/8-16 x 1-1/2 Gr. 5	168	165492	Bolt Shoulder 5/16-18 x .561
51	73680600	Nut Crownlock 3/8-16 unc	169	165580	Plate Fastening
52	73680500	Nut Crownlock 5/16-18 unc	170	187414	Keeper Belt Transaxle Gear
53	199652	Link Clutch	197	169613	Nyliner Snap-In
55	105709X	Spring Return Clutch 6 75	198	169593	Washer Nyliner
56	17060620	Screw 3/8-16 x 1-1/4	202	72110614	Bolt RdHd 3/8-16 unc x 1-3/4 Gr. 5
57	138255	V-Belt Ground Drive 95 30	212	145212	Nut Hexflange Lock
59	169691	Keeper Belt Span Ctr			
61	17120614	Screw 3/8-16 x .875			

NOTE: All component dimensions given in U.S. inches
1 inch = 25.4 mm

REPAIR PARTS

TRACTOR -- MODEL NUMBER PB1638LT (96012004400). PRODUCT NO. 960 12 00-44

STEERING



steering_pl.ft_58

REPAIR PARTS

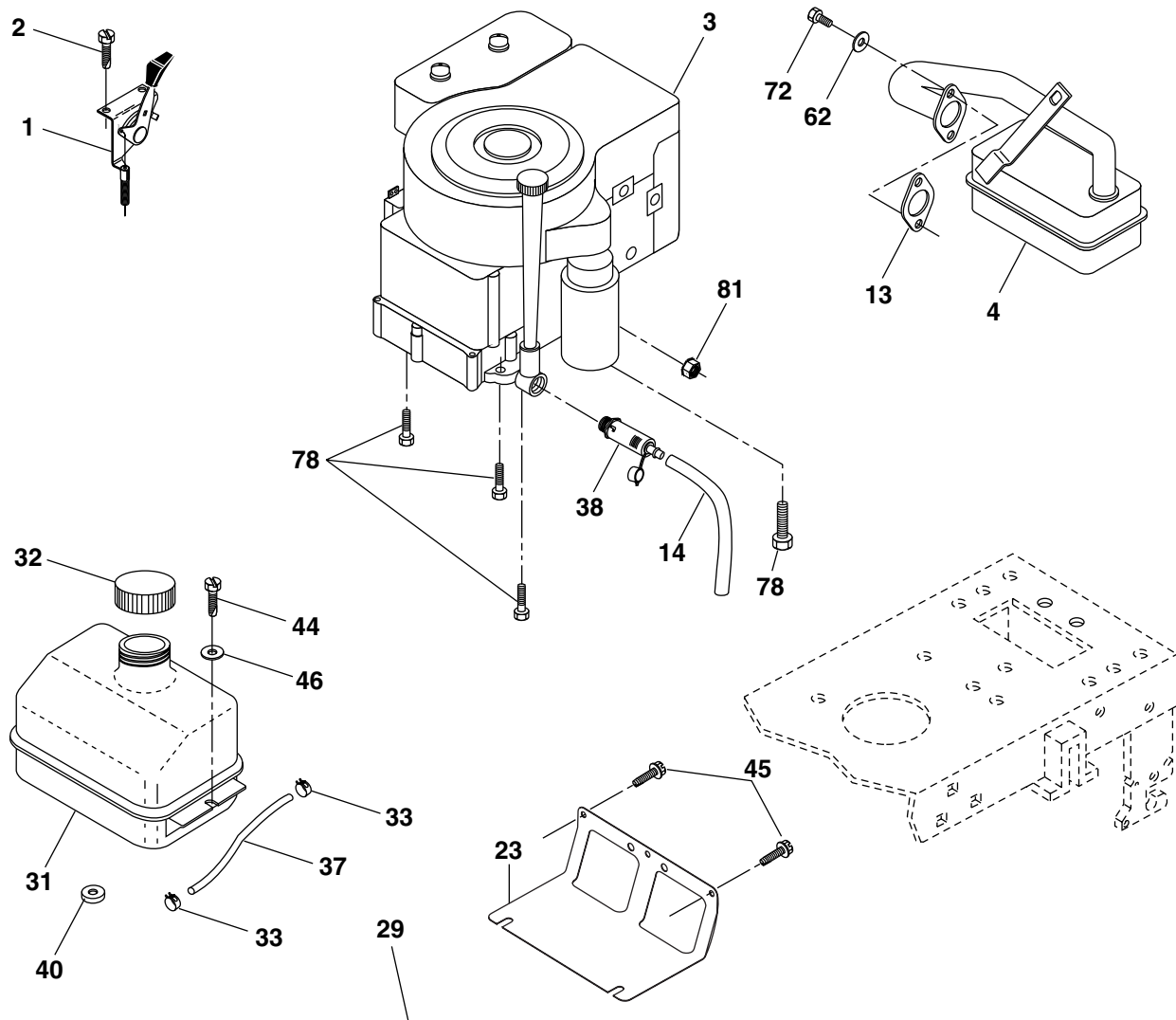
TRACTOR - - MODEL NUMBER PB1638LT (96012004400). PRODUCT NO. 960 12 00-44
STEERING

KEY NO.	PART NO.	DESCRIPTION
1	186780	Wheel Steering
2	175131	Axle Asm
3	169840	Spindle Asm LH
4	169839	Spindle Asm RH
5	6266H	Bearing Race Thrust Harden
6	121748X	Washer 25/32 x 1-5/8 x 16 Ga.
7	19272016	Washer 27/32 x 1-1/4 x 16 Ga.
8	12000029	Ring Klip #t5304-75
9	3366R	Bearing Col Strg Blk
10	175121	Link Drag
11	10040600	Washer Lock Hvy Hlcl Spr 3/8
13	136518	Spacer earing Axle Front
15	145212	Hexflange Lock
17	190753	Shaft Asm Strg
26	126847X	Bushing Link Drag Blk LR
28	19131416	Washer 13/32 x 7/8 x 16 Ga.
29	17000612	Screw 3/8-16 x 3/4
30	76020412	Pin Cotter 1/8 x 3/4 Cad
32	192757	Rod Tie Wire Form 19 75 Mech
34	10040500	Washer Lock Hvy Hlcl Spr 5/16
36	155099	Bushing Strg 5/8 Id Dash
37	152927	Screw
38	192916	Cap Wheel Steer Ayp
39	19113812	Washer 11/32 ID x 2-3/8 OD x 12 Ga.
40	73540600	Nut Crownlock 3/8-24
41	186737	Adaptor Wheel Strg
42	145054X428	Boot Dash Mtl Steering Blk
43	121749X	Washer 25/32 x 1 1/4 x 16 Ga.
44	190752	Extension Steering
46	121232X	Cap Spindle Fr Top Blk
47	183226	Fitting Grease
65	160367	Spacer Brace Axle
67	72110618	Bolt RDHD SQNK 3/8-16 x 2-1/4
68	169827	Brace Axle
71	175146	Steering Asm.
82	199978	Bracket Susp Chassis Front
88	175118	Bolt Shoulder 7/16-20
91	175553	Clip Steering
95	188967	Washer Harden .793 x 1.637 x 060
97	74780564	Bolt 5/16-18 unc x 4"L Hlcl Spr. 5/16

NOTE: All component dimensions given in U.S. inches
1 inch = 25.4 mm.

REPAIR PARTS

TRACTOR - - MODEL NUMBER PB1638LT (96012004400). PRODUCT NO. 960 12 00-44
ENGINE



OPTIONAL EQUIPMENT
Spark Arrester

engine-bs.1cyl_49

KEY NO.	PART NO.	DESCRIPTION
1	170551	Control Th/ch Flag
2	17720408	Screw Hex Thd Cut 1/4-20 x 1/2
3	-----	Engine, B&S 283H07 (Order parts from engine manufacturer)
4	137352	Muffler Exhaust B&S
13	165291	Gasket Eng 1 313 Id Tin Plated
14	148456	Tube Drain Oil Easy
23	169837	Shield BRN/DBR Guard
29	137180	Kit Spark Arrester (Flat Scrn)
31	187750	Tank Fuel Front
32	140527	Cap Asm Fuel
33	123487X	Clamp Hose
37	401137	Line Fuel 20"
38	181654	Plug Drain Oil
40	124028X	Bushing Snap Nyl Blk Fuel Line
44	17670412	Screw Thdrol 1/4-20 x 3/4

KEY NO.	PART NO.	DESCRIPTION
45	17000612	Screw Hex Wsh Thdrol 3/8-16
46	19091416	Washer 9/32 x 7/8 x 16 Ga.
62	10010500	Washer Split
72	192334	Screw Socket Hd 5/16-18 x .75
78	17060620	Screw 3/8-16 x 1-1/4
81	73510400	Nut Keps Hex 1/4-20 unc

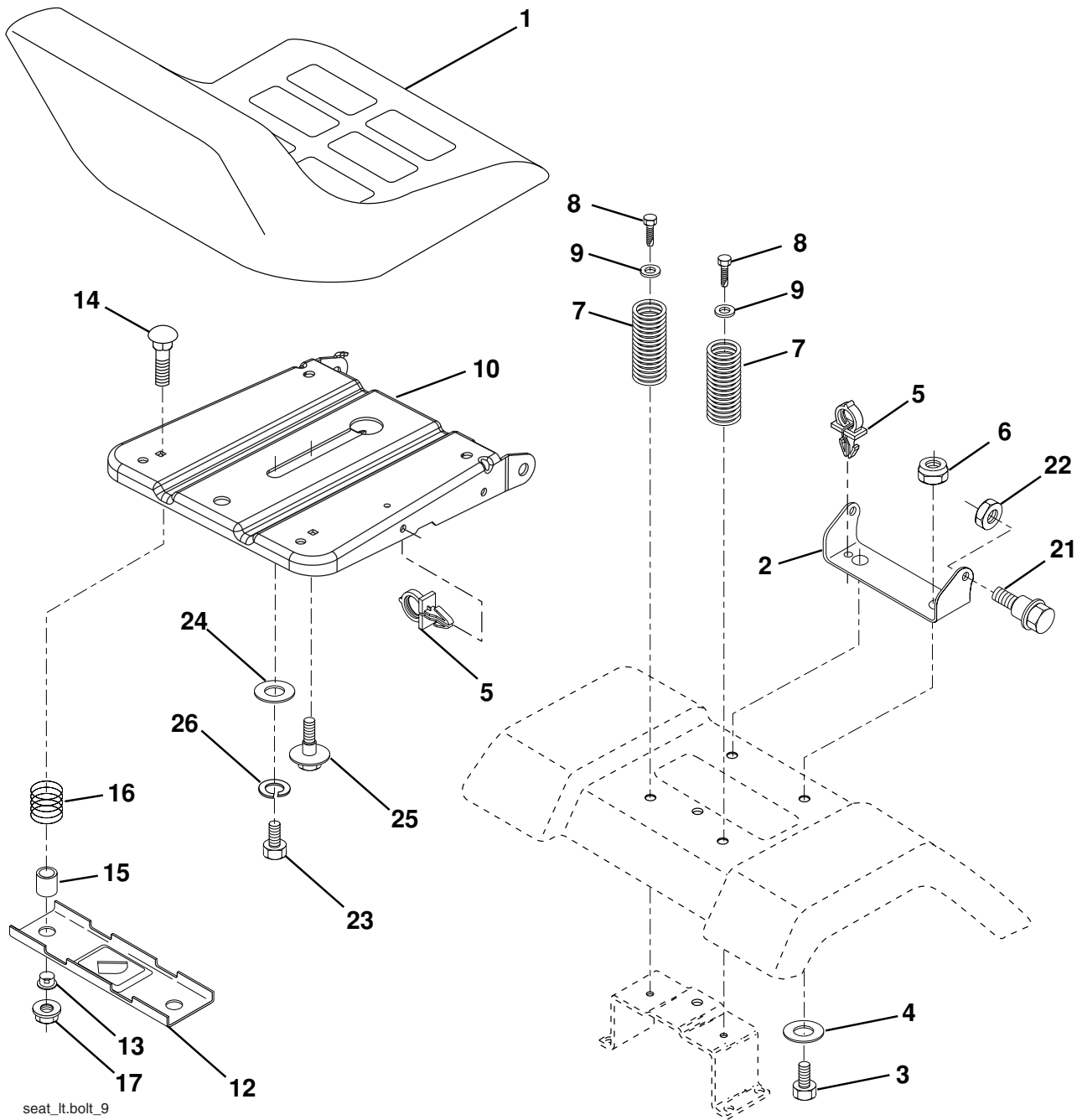
NOTE: All component dimensions given in U.S. inches
1 inch = 25.4 mm

For engine service and replacement parts, call the toll free number for your engine manufacturer listed below:

Briggs & Stratton	1-800-233-3723
Kohler Co.	1-800-544-2444
Tecumseh Products	1-800-558-5402
Honda Engines	1-800-426-7701
Kawasaki	1-949-460-5688

REPAIR PARTS

TRACTOR - - MODEL NUMBER PB1638LT (96012004400). PRODUCT NO. 960 12 00-44 SEAT



seat_lt.bolt_9

KEY NO.	PART NO.	DESCRIPTION
1	401042	Seat
2	140551	Bracket Seat Pivot
3	71110616	Bolt Hex 3/8 - 16 x 1
4	19131610	Washer 13/32 x 1 x10 Ga.
5	145006	Clip Push-In Hinged
6	73800600	Nut Lock Hex w/Ins 3/8 - 16
7	124181X	Spring Seat Cprsn 2 250 Blk Zi
8	17000616	Screw 3/8-16 x 1.5
9	19131614	Washer 13/32 x 1 x 14 Ga.
10	195530	Pan Asm. Seat
12	174648	Bracket Pnt Mounting Switch
13	121248X	Bushing Snap Blk Nyl

KEY NO.	PART NO.	DESCRIPTION
14	72050412	Bolt Rdhd Sht Nk 1/4 - 20 x 1 -1/2
15	134300	Spacer Split .28 x .96
16	121250X	Spring Cprsn
17	123976X	Nut Lock 1/4 Lge Flg
21	171852	Bolt Shoulder 5/16-18 unc-2A
22	73800500	Nut Lock Hex w/Ins 5/16 - 18
23	71110814	Bolt Hex
24	19171912	Washer 17/32 x 1-3/16 x 12 Ga.
25	127018X	Bolt Shoulder 5/16-18 x .62
26	10040800	Washer Lock Hvy Hlcl Spr 1/2

NOTE: All component dimensions given in U.S. inches
1 inch = 25.4 mm.

REPAIR PARTS

**TRACTOR - - MODEL NUMBER PB1638LT (96012004400). PRODUCT NO. 960 12 00-44
MOWER DECK**

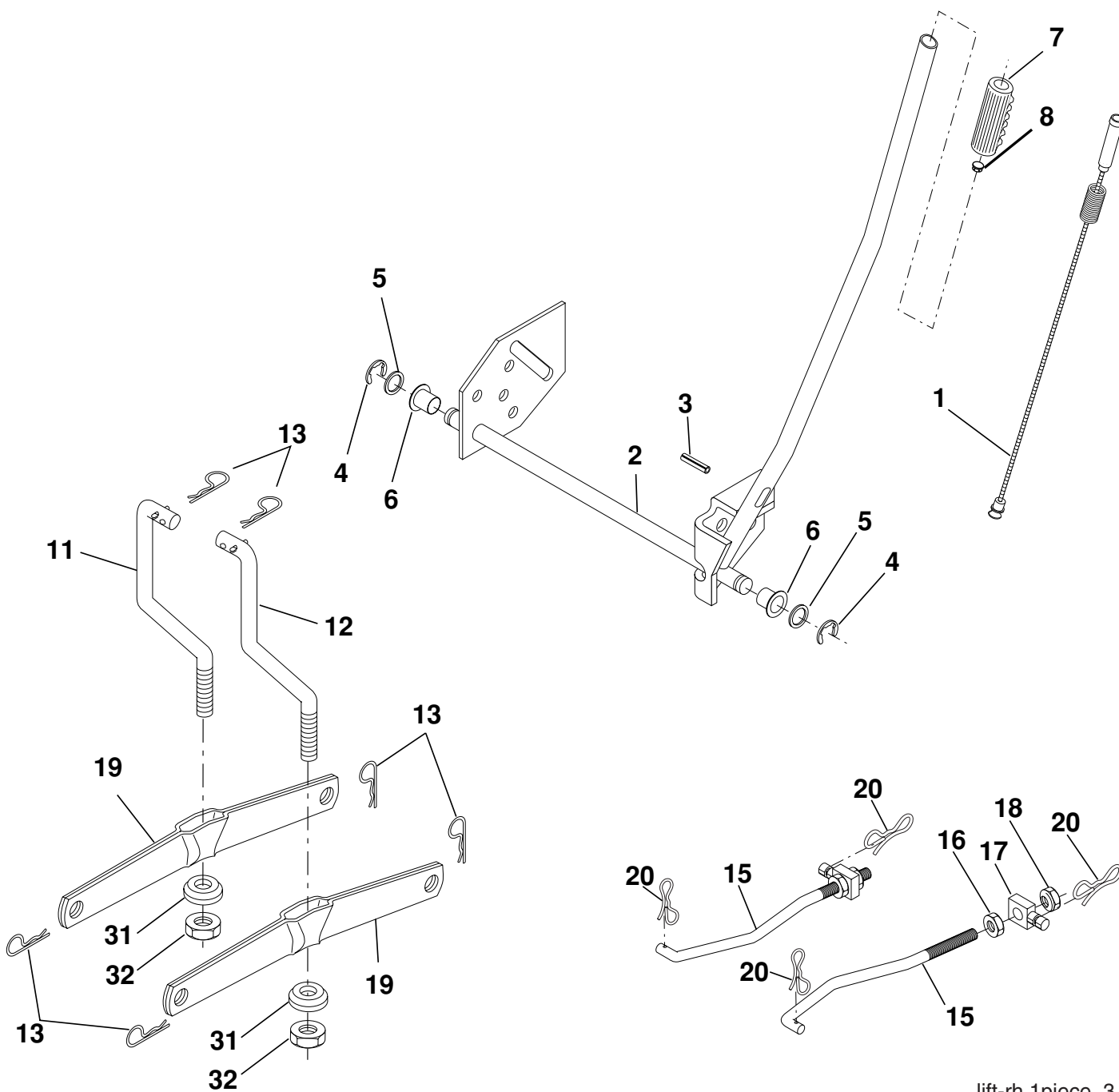
KEY NO.	PART NO.	DESCRIPTION	KEY NO.	PART NO.	DESCRIPTION
1	192556	Mower Housing Assembly	68	193214	V-Belt
2	72140506	Bolt Carriage 5/16-18 x 3/4	72	193216	Spring Brake Return
3	138017	Bracket Asm Fr. Sway Bar	89	19131311	Washer 13/32 x 13/16 x 11 Ga.
4	192568	Bracket Deck Sway Bar 38"/42"	107	133502	Spacer Retainer
5	4939M	Retainer Spring	108	133503	Stiffener, Idler Arm
6	178024	Bar Sway Deck	122	192575	Rod, Brake LH
8	193003	Bolt 3/8-24 x 1.25 Gr. 8	123	192576	Rod, Brake RH
11	193957	Blade Mower	144	193414	Keeper Belt Idler Tension
13	192872	Shaft Assembly, Mandrel, Vented (Includes Key Number 6)	148	169022	Spring Return Idler
14	187281	Housing, Mandrel, Vented	149	165898	Retainer Spring Yellow
15	110485X	Bearing, Ball, Mandrel	150	19091210	Washer 9/32 x 3/4 x 10 Ga.
18	72140505	Blade Rdhd Sqnk 5/16-18 x 5/8	152	193235	Clutch Cable 38"
19	132827	Bolt, Shoulder	158	17720408	Screw Hex Thd Cut 1/4-20 x 1/2
20	400095	Baffle Vortex Front	185	188234	Head Asm Cable Clutch
21	73680500	Nut	186	17490644	Screw Hex Wsh Thdrol 3/8-16 x 2-3/4
23	192557	Bracket, Mower Deflector	187	193412	Keeper Belt M Shape
24	105304X	Cap, Sleeve	188	165891	Bolt Carriage Idler
25	197026	Spring, Torsion, Deflector	189	192559	Brake Stand
26	110452X	Nut, Push	190	192560	Brake Arm
27	192572X428	Shield, Deflector	191	192561	Brake Spacer
29	131491	Rod, Hinge	192	192558	Brake Assembly
30	173984	Screw Thdrol.	193	193413	Keeper Belt Rh Mandrel
31	187690	Washer, Spacer	194	194105	Brake Guard
32	153532	Pulley, Mandrel	195	19133210	Washer 13/32 x 2 x 10 Ga.
33	400234	Nut, Toplock	--	192870	Mandrel Assembly (Includes Housing, Shaft and Shaft Hardware Only - Pulley Not Included)
36	131494	Pulley, Idler, Flat	--	193646	Replacement Mower, Complete
37	193198	Pulley, Idler Flat			
40	73680600	Nut, Crownlock 3/8-16 unc			
45	4497H	Retainer			
53	130840	Brake Assembly			
55	133840	Idler Arm Assembly			
56	165723	Spacer, Retainer			
67	106932X	Knob			

NOTE: All component dimensions given in U.S. inches
1 inch = 25.4 mm

REPAIR PARTS

TRACTOR - - MODEL NUMBER PB1638LT (96012004400). PRODUCT NO. 960 12 00-44

MOWER LIFT



lift-rh.1piece_3

KEY NO.	PART NO.	DESCRIPTION
1	159460	Wire Asm Inner/Sprg w/plunger
2	159471	Shaft Asm Lift RH
3	105767X	Pin Groove 1 500 Zinc
4	12000002	E Ring #5133-62
5	19211621	Washer 21/32 x 1 x 21 Ga.
6	120183X	Bearing Nylon Blk 629 Id
7	109413X	Grip Handle Bicycle Matte Blk
8	124526X	Button Plunger Black
11	139865	Link Lift LH Fixed Length
12	139866	Link Lift RH Fixed Length
13	4939M	Retainer Spring

KEY NO.	PART NO.	DESCRIPTION
15	173288	Link Front
16	73350800	Nut Jam Hex 1/2-13 unc
17	175689	Trunnion
18	73800800	Nut Lockw/Wsh 1/2-13 unc
19	139868	Arm Suspension Rear
20	194209	Pin Cotter 7/16 Bow Tie Lock
31	169865	Bearing Pvt Lift
32	73540600	Nut Crownlock 3/8-24

NOTE: All component dimensions given in U.S. inches
1 inch = 25.4 mm.