

ILLUSTRATED PARTS LIST

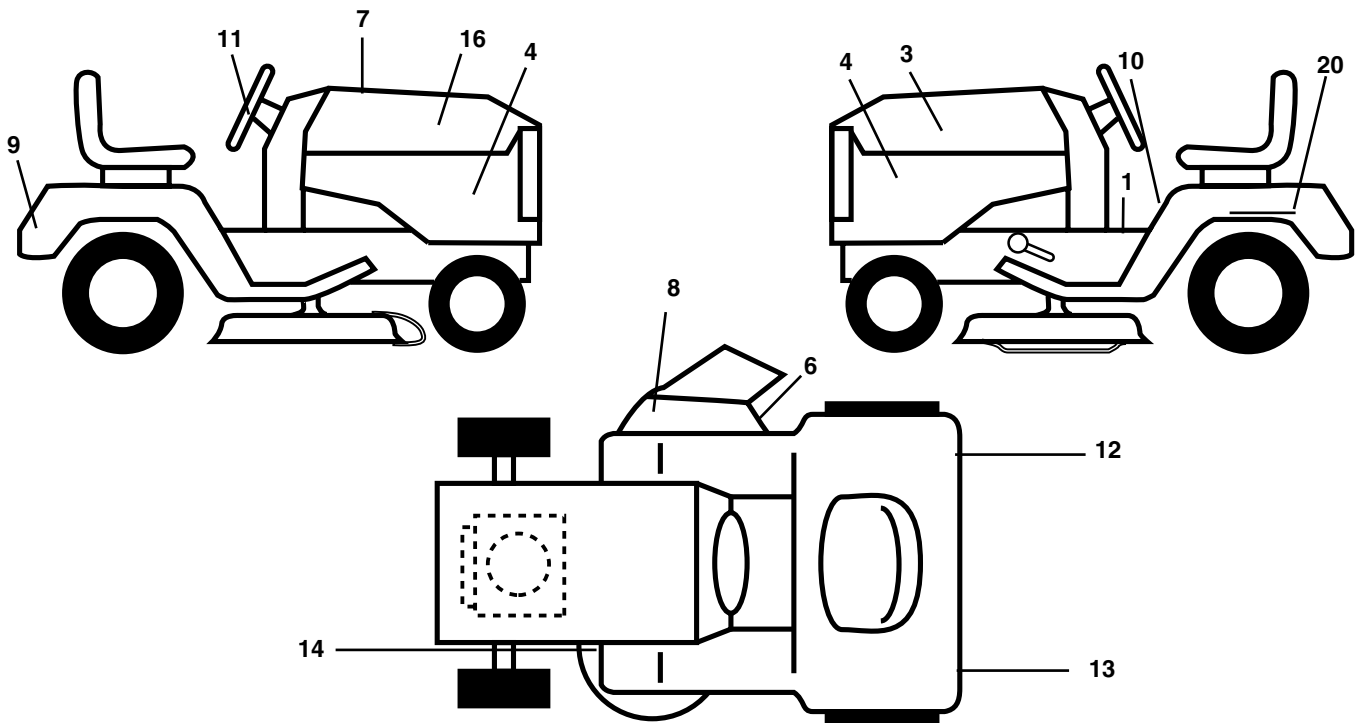
MODEL NO. - 96012004600

CUSTOMER CATALOG NO. - PB18542LT

PRODUCT NO. - 960 12 00-46

REPAIR PARTS

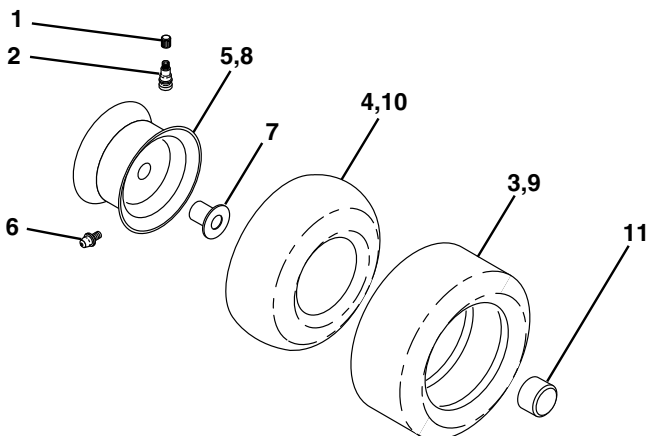
TRACTOR - - MODEL NUMBER PB18542LT (96012004600), PRODUCT NO. 960 12 00-46
DECALS



KEY NO.	PART NO.	DESCRIPTION
1	193863	Decal Oper
3	186164	Decal Hood LH
4	401129	Decal Side Panel Logo
6	170563	Decal Warning, Keep Hand Away
7	194553	Decal Replacement Parts
8	179128	Decal Deck "B" 42"
9	172740	Decal Fender Logo
10	157140	Decal Fender Danger E/F
11	172743	Decal Ins Strg Whl
12	173587	Decal Fend Reflector Rh
13	173589	Decal Fend Reflector Lh

KEY NO.	PART NO.	DESCRIPTION
14	160396	Decal V-Belt Schematic
16	186163	Decal Hood Rh
20	145005	Decal Bat Dan/Psn
--	179768X428	Pad Footrest LH
--	179769X428	Pad Footrest RH
--	138311	Decal Handle Lft Height Adjust
--	401115	Manual Operator's E&F
--	401116	Manual Parts E&F

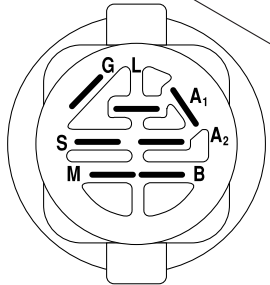
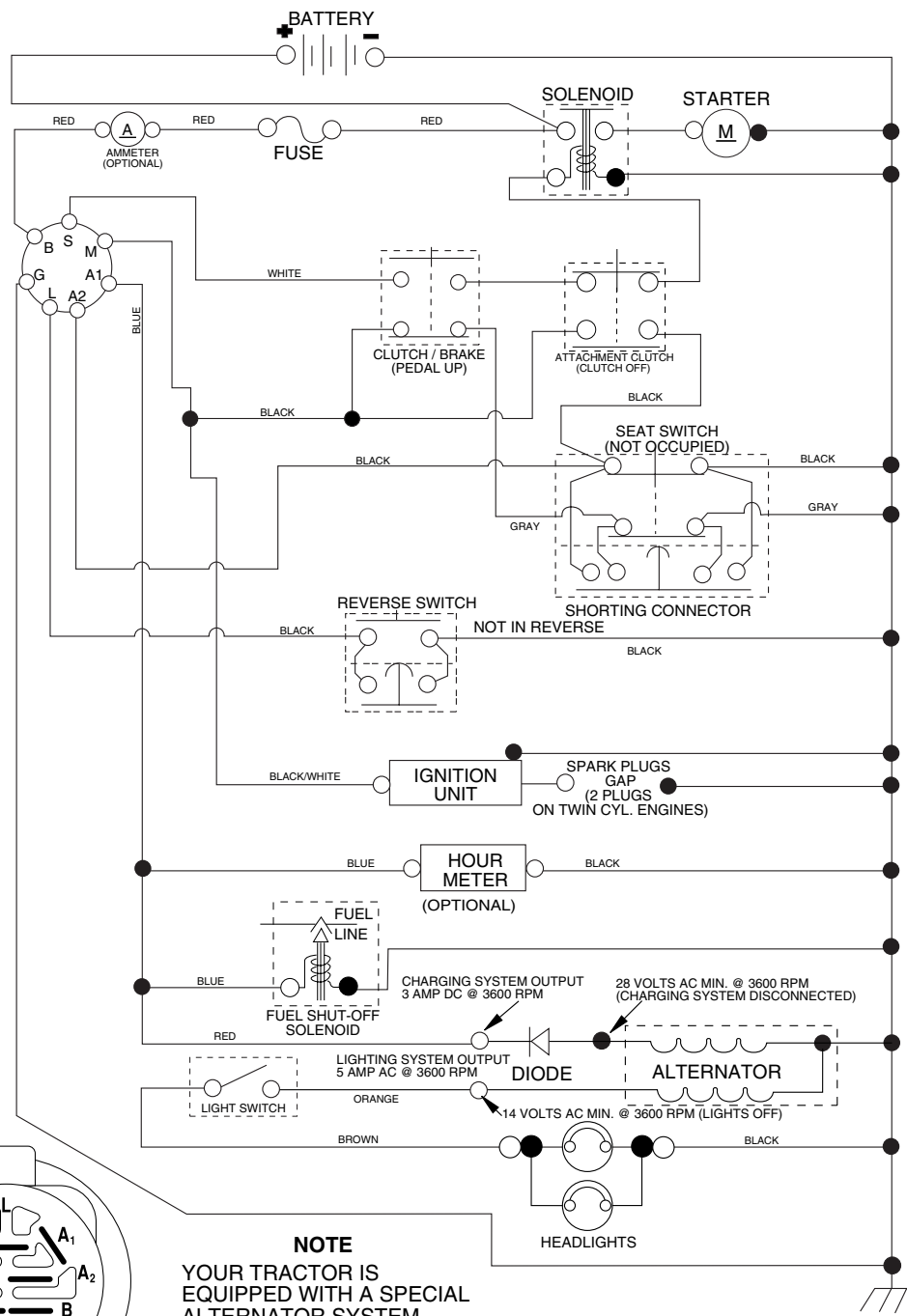
WHEELS AND TIRES



KEY NO.	PART NO.	DESCRIPTION
1	59192	Cap Valve Tire
2	65139	Stem Valve
3	106222X	Tire F T 15 x 6 0 - 6 Service
4	59904	Tube Front (Service Item Only)
5	106732X421	Rim Asm 6" front Service
6	278H	Fitting Grease (Front Wheel Only)
7	9040H	Bearing Flange (Front Wheel nly)
8	106108X421	Rim Asm 8" rear Service
9	138468	Tire R T 20 x 8-8 Service
10	7152J	Tube Rear (Service Item Only)
11	104757X421	Cap Axle Blk 1 50 x 1 00
--	144334	Sealant, Tire (10 oz. Tube)

NOTE: All component dimensions given in U.S. inches
1 inch = 25.4 mm

TRACTOR - - MODEL NUMBER PB18542LT (96012004600), PRODUCT NO. 960 12 00-46 SCHEMATIC

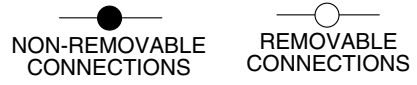


IGNITION SWITCH

POSITION	CIRCUIT "MAKE"
OFF	M+G+A1
RUN/OVERRIDE	B+A1
RUN	B+A1 L+A2
START	B + S + A1

NOTE
 YOUR TRACTOR IS EQUIPPED WITH A SPECIAL ALTERNATOR SYSTEM. THE LIGHTS ARE NOT CONNECTED TO THE BATTERY, BUT HAVE THEIR OWN ELECTRICAL SOURCE. BECAUSE OF THIS, THE BRIGHTNESS OF THE LIGHTS WILL CHANGE WITH ENGINE SPEED. AT IDLE THE LIGHTS WILL DIM. AS THE ENGINE IS SPEEDED UP, THE LIGHTS WILL BECOME THEIR BRIGHTEST.

02836

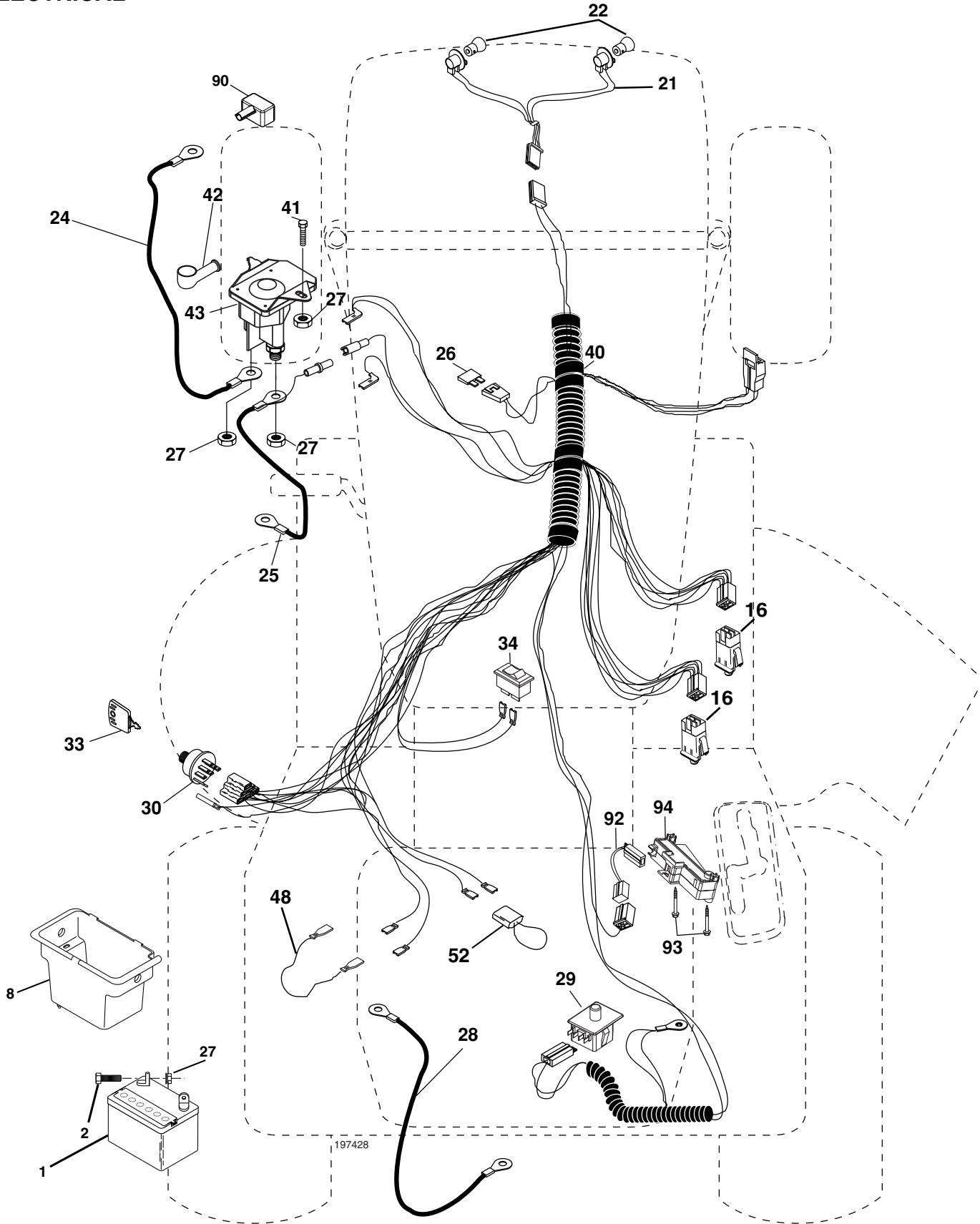


WIRING INSULATED CLIPS
NOTE: IF WIRING INSULATED CLIPS WERE REMOVED FOR SERVICING OF UNIT, THEY SHOULD BE REPLACED TO PROPERLY SECURE YOUR WIRING.

REPAIR PARTS

TRACTOR -- MODEL NUMBER PB18542LT (96012004600), PRODUCT NO. 960 12 00-46

ELECTRICAL



REPAIR PARTS

TRACTOR - - MODEL NUMBER PB18542LT (96012004600), PRODUCT NO. 960 12 00-46
ELECTRICAL

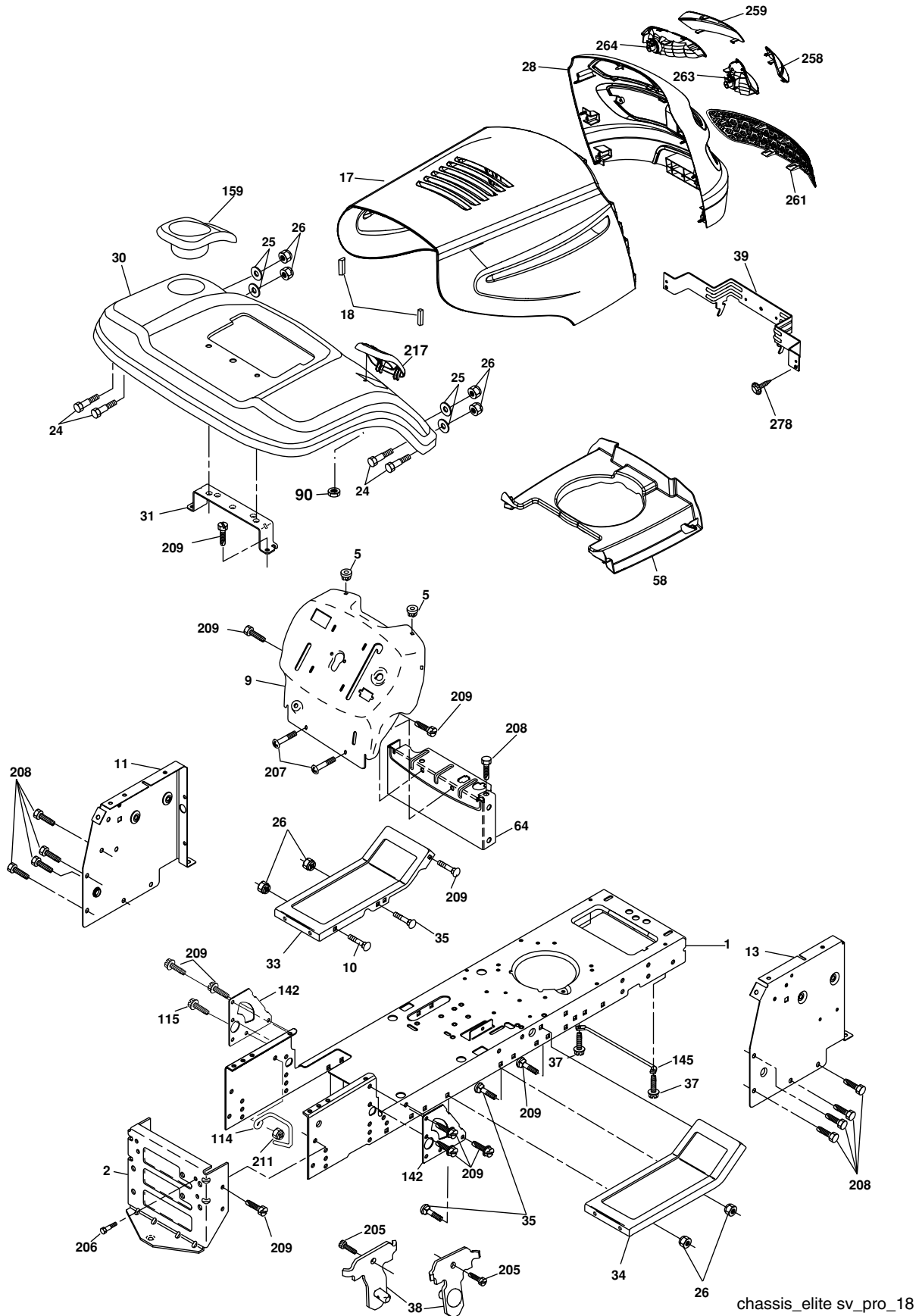
KEY NO.	PART NO.	DESCRIPTION
1	163465	Battery
2	74760412	Bolt Hex Hd 1/4-20 unc x 3/4
8	176689	Box Battery
16	176138	Switch Interlock
21	183759	Harness Socket Light
22	4152J	Bulb, Light # 1156
24	4799J	Cable Battery
25	146147	Cable Battery 6 Ga. Red w/16 wire 44"
26	175158	Fuse
27	73510400	Nut Keps Hex 1/4-20 unc
28	4207J	Cable Ground 12" Blk 6 Ga.
29	192749	Switch Seat
30	193350	Switch Ign
33	140401	Key Ign Molded Generic
34	110712X	Switch Light/Reset
40	197428	Harness Ign
41	71110408	Bolt Fin Hex 1/4-20 unc x 1/2
42	131563	Cover Terminal Red
43	192507	Solenoid
48	140844	Adapter Ammeter
52	141940	Protection Loop
90	180449	Cover Terminal
92	196615	Harness Pigtail Reverse Switch
93	192540	Screw Plastic 10-14 x 2.0
94	191834	Module Reverse ROS

NOTE: All component dimensions given in U.S. inches
1 inch = 25.4 mm

REPAIR PARTS

TRACTOR - - MODEL NUMBER PB18542LT (96012004600), PRODUCT NO. 960 12 00-46

CHASSIS AND ENCLOSURES



chassis_elite sv_pro_18

REPAIR PARTS

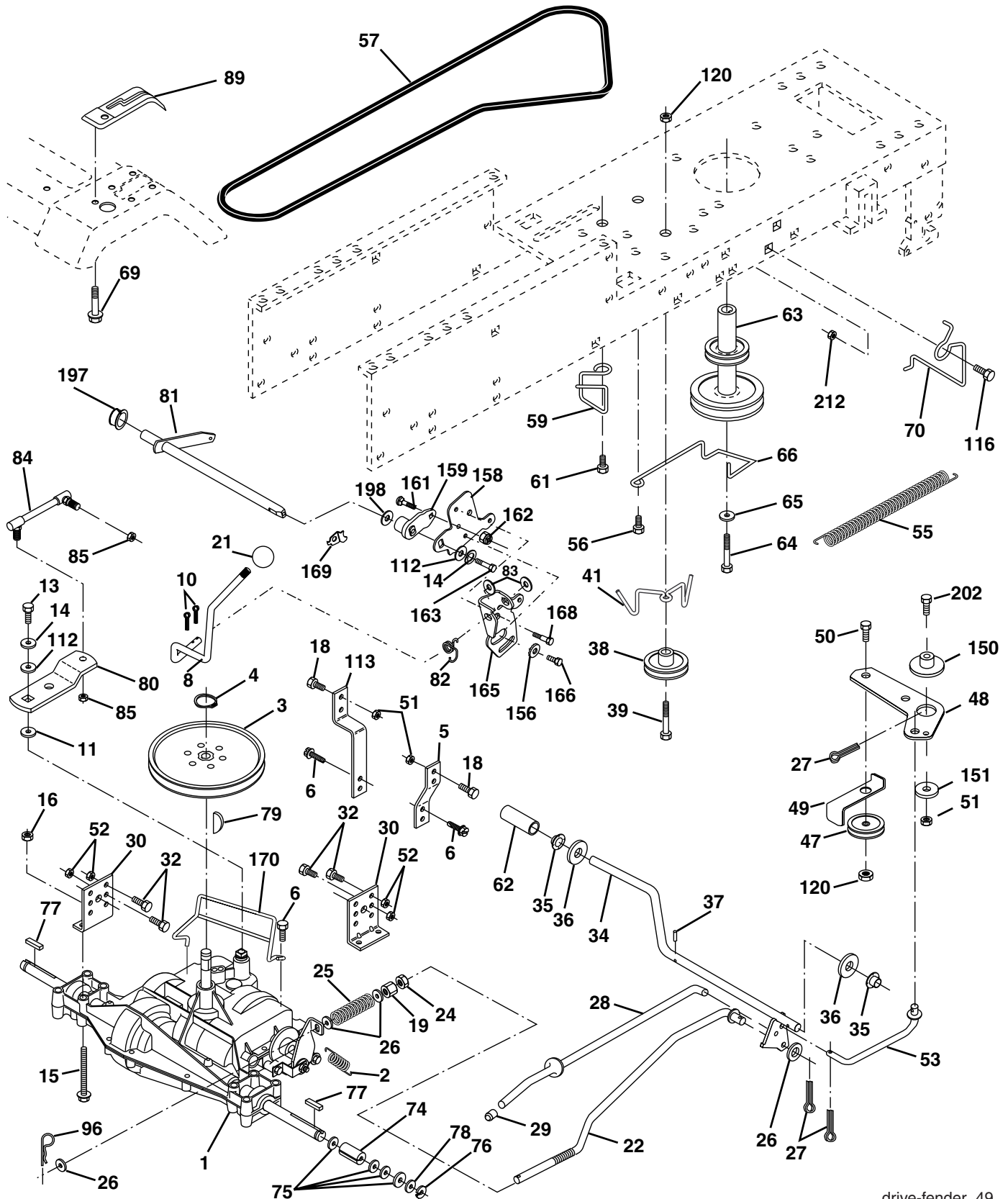
TRACTOR - - MODEL NUMBER PB18542LT (96012004600), PRODUCT NO. 960 12 00-46
CHASSIS AND ENCLOSURES

KEY NO.	PART NO.	DESCRIPTION
1	174619	Chassis
2	176554	Drawbar
5	155272	Bumper Hood/Dash
9	193510X010	Dash P/L
10	72140608	Bolt Carriage 3/8-16 x 1
11	174996	Panel Dash Lh
13	179174X010	Panel Dash Rh
17	183393X428	Hood
18	184921	Bumper Hood
24	74780616	Bolt Fin Hex 3/8-16 unc x 1 Gr. 5
25	19131312	Washer 13/32 x 13/16 x 12 Ga.
26	73800600	Nut Lock Hex W/Ins 3/8-16 unc
28	183828	Grille/Lens Asm (Includes Key Nos. 258, 259, 261, 263, 264)
30	192528X428	Fender
31	136619	Bracket Fender
33	179716X428	Footrest LH
34	179717X428	Footrest RH
35	72110606	Bolt RDHD SHT SQNK 3/8-16 x 3/4
37	17490508	Screw Thdrol 6/16-18 x 1/2 TYT
38	175710	Bracket Asm Pivot Mower Rear
39	174714	Bracket Pivot
58	184322	Duct Air
64	154798	Dash Lower STLT
114	158112	Keeper Belt Rear LH
115	17490620	Screw THDROL 3/8-16 x 1-1/4
142	175702	Plate Reinforcement STLT
145	156524	Rod Pivot Chassis/Hood
159	169473X428	Cupholder
205	17490608	Screw 3/8-16 x 12
206	170165	Bolt Shoulder 5/16-18
207	17670508	Screw Thdrol 5/16-18 x 1/2
208	17670608	Screw Thdrol 3/8-16 x 1/2
209	17000612	Screw Hexwsh Thdr 3/8-16 x 3/4
211	145212	Nut Hex Flange Lock
258	183835X599	Lens Grille Pro RH
259	183834X599	Lens Grille Pro LH
261	183829X428	Insert Grille
263	183833	Bezel Grille RH
264	183832	Bezel Grille LH
278	191611	Screw 10 x 3/4 Single Lead
--	5479J	Plug BTN BIK
--	187801	Plug Domed Plastic

NOTE: All component dimensions given in U.S. inches
1 inch = 25.4 mm

REPAIR PARTS

TRACTOR -- MODEL NUMBER PB18542LT (96012004600), PRODUCT NO. 960 12 00-46
DRIVE



drive-fender_49

REPAIR PARTS

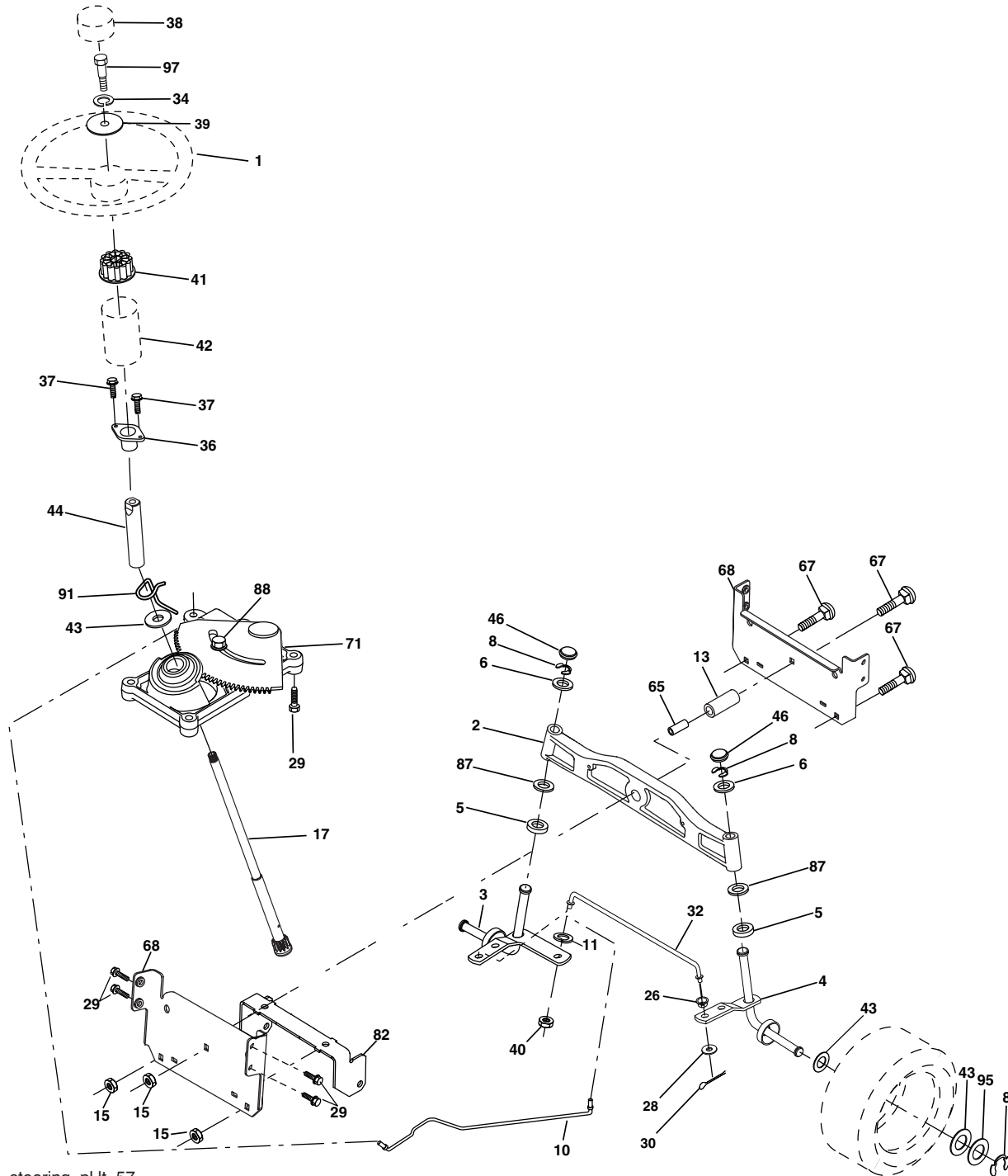
TRACTOR - - MODEL NUMBER PB18542LT (96012004600), PRODUCT NO. 960 12 00-46
DRIVE

KEY NO.	PART NO.	DESCRIPTION	KEY NO.	PART NO.	DESCRIPTION
1	-----	Transaxle Peerless (206-545C) (Order parts from transaxle manufacturer)	62	8883R	Cover Pedal Blk Round
2	146682	Spring Return Brake T/a Zinc	63	175410	Engine Pulley
3	123666X	Pulley Transaxle 18" tires	64	173937	Bolt Hex
4	12000028	Ring Retainer # 5100-62	65	10040700	Washer Lock Hvy Hlcl Spr 7/16
5	121520X	Strap Torque 30 Degrees	66	154778	Keeper Belt Engine Foolproof
6	17060512	Screw 5/16-18 x 3/4	69	142432	Screw Hex wsh HiLo 1/4 x 1/2 unc
8	192706	Rod Shift Fender Adjust Lt	70	134683	Guide Belt Mower Drive RH
10	76020416	Pin Cotter 1/8 x 1 Cad	74	137057	Spacer Axle
11	105701X	Washer Plate Shf 388 Sq Hole	75	121749X	Washer 25/32 x 1-1/4 x 16 Ga
13	74550412	Bolt 1/4-28 Unf Gr 8 W/Patch	76	12000001	E-ring #5133-75
14	10040400	Washer Lock Hvy Helical	77	123583X	Key Square 2 0 x 1845/1865
15	74490544	Bolt Hex FLGHD 5/16-18 Gr. 5	78	121748X	Washer 25/32 x 1-5/8 x 16 Ga
16	73800500	Nut Lock Hex w/ins 5/16-18	79	2228M	Key Woodruff #9 3/16 x 3/4
18	74780616	Bolt, Fin Hex 3/8-16 unc x 1 Gr. 5	80	145090	Arm Shift
19	73800600	Nut Lock 3/8-16 unc	81	165592	Shaft Asm Cross Tapered PMST/20
21	106933X	Knob	82	165711	Spring Torsion T/a
22	130804	Rod Brake Blk Zinc 26 840	83	19171216	Washer 17/32 x 3/4 x 16 Ga
24	73350600	Nut Hex Jam 3/8-16 unc	84	166231	Link Transaxle PMST/20" Zinc
25	106888X	Spring Rod Brake 2 00 Zinc	85	150360	Nut Lock Center 1/4 - 28 FNTHD
26	19131316	Washer 13/32 x 13/16 x 16 Ga.	89	192053X428	Console Shift STLT
27	76020412	Pin Cotter 1/8 x 3/4 Cad	96	4497H	Retainer Spring 1"
28	175765	Rod Brake Parking LT/YT	112	19091210	Washer 9/32 x 3/4 x 10 Ga.
29	71673	Cap Brake Parking	113	127285X	Strap Torque LT
30	169592	Bracket Mtg Transaxle	116	72140608	Bolt Rdhd Sq Neck 3/8-16 x 1
32	74760512	Bolt Hex Hd 5/16-18unc X 3/4	120	73900600	Nut Lock Flg. 3/8-16 unc
34	175578	Shaft Asm Pedal Foot	150	175456	Spacer Retainer
35	120183X	Bearing Nylon Blk 629 Id	151	19133210	Washer 13/32 x 2 x 10
36	19211616	Washer 21/32 x 1 x 16 Ga.	156	166002	Washer Srrted 5/16ID x 1.125
37	1572H	Pin Roll 3/16 x 1"	158	165589	Bracket Shift Mount
38	179114	Pulley Composite Flat	159	183900	Hub Shift
39	72110622	Bolt RDH 3/8-16 unc x 2-3/4 Gr. 5	161	72140406	Bolt Rdhd Sqnk 1/4-20 x 3/4
41	175556	Keeper Belt Flat Idler	162	73680400	Nut Crownlock 1/4-20 unc
47	127783	Pulley Idler V Groove Plastic	163	74780416	Bolt Hex Fin 1/4-20 unc x 1 Gr. 5
48	154407	Bellcrank Asm	165	165623	Bracket Pivot Lever
49	123205X	Retainer Belt Style Spring	166	17490510	Screw 5/16-18 x 5/8
50	72110612	Bolt Hex Hd 3/8-16 unc X 1-1/2	168	165492	Bolt Shoulder 5/16-18 x .561
51	73680600	Nut Crownlock 3/8-16 unc	169	165580	Plate Fastening
52	73680500	Nut Crownlock 5/16-18 unc	170	187414	Keeper Belt Transaxle Gear
53	199652	Link Clutch	197	169613	Nyliner Snap-In
55	105709X	Spring Return Clutch 6 75	198	169593	Washer Nyliner
56	17060620	Screw 3/8-16 x 1-1/4	202	72110614	Bolt Carr Sh 3/8-16 x 1-3/4 Gr. 5
57	138255	V-Belt Ground Drive	212	145212	Nut Hexflange Lock
59	169691	Keeper Belt Span Ctr			
61	17120614	Screw 3/8-16 x .875			

NOTE: All component dimensions given in U.S. inches
1 inch = 25.4 mm

REPAIR PARTS

TRACTOR - - MODEL NUMBER PB18542LT (96012004600), PRODUCT NO. 960 12 00-46
STEERING ASSEMBLY



steering_pl.lt_57

REPAIR PARTS

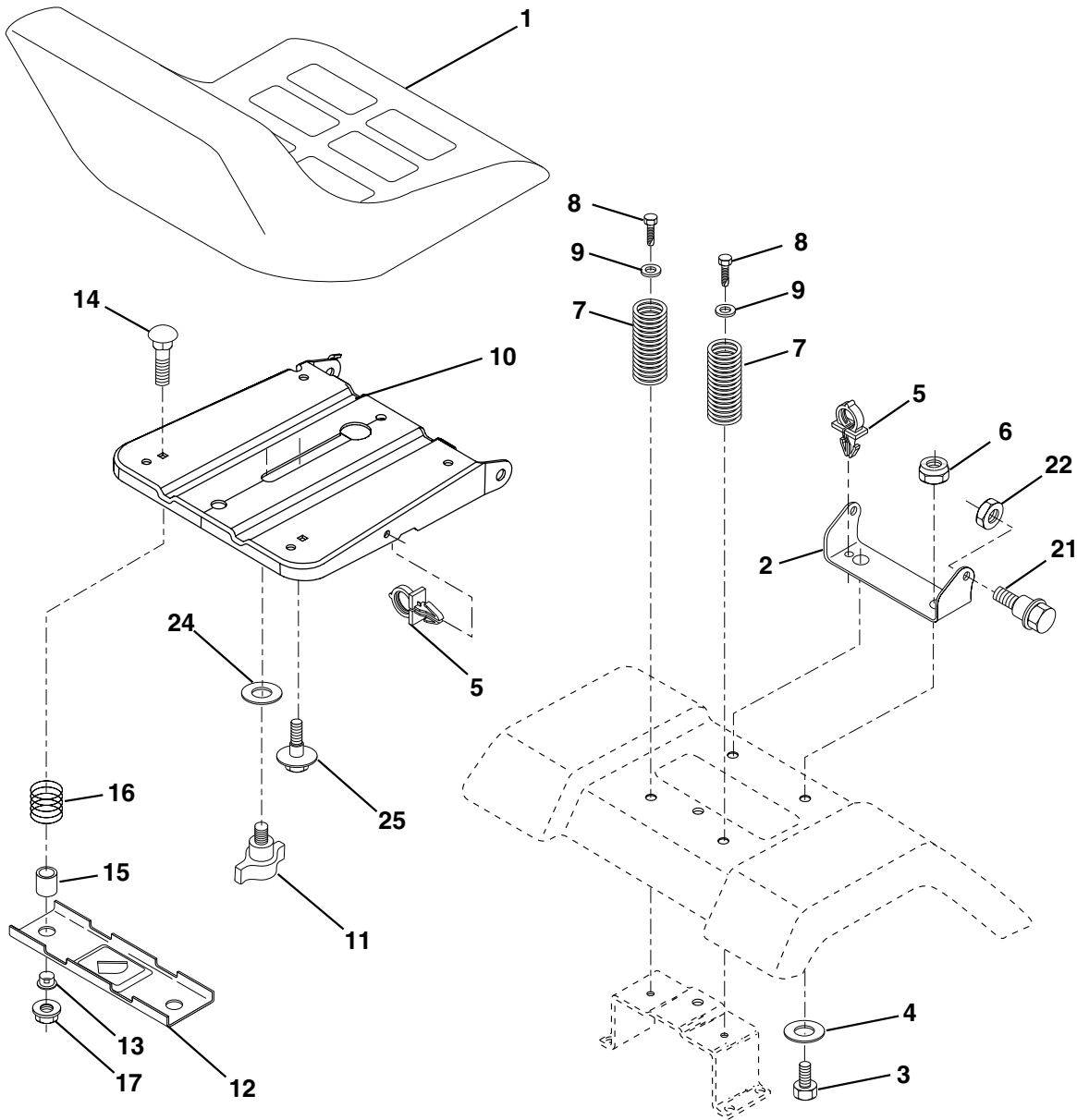
TRACTOR - - MODEL NUMBER PB18542LT (96012004600), PRODUCT NO. 960 12 00-46
STEERING ASSEMBLY

KEY NO.	PART NO.	DESCRIPTION
1	186093X428	Wheel Steering
2	184706	Axle Asm
3	169840	Spindle Asm LH
4	169839	Spindle Asm RH
5	6266H	Bearing Race Thrust Harden
6	121748X	Washer 25/32 x 1-5/8 x 16 Ga.
8	12000029	Ring Klip #t5304-75
10	175121	Link Drag
11	10040600	Washer Lock Hvy Hlcl Spr 3/8
13	136518	Spacer Brg Axle Front
15	145212	Nut Hex Flange Lock
17	190753	Shaft Asm Steering
26	126847X	Bushing Link Drag
28	19131416	Washer 13/32 x 7/8 x 16 Ga.
29	17000612	Screw 3/8-16 x .75
30	76020412	Pin Cotter 1/8 x 3/4
32	192757	Rod Tie
34	10040500	Washer Lock Hvy HLCL Spr. 5/16
36	155099	Bushing Strg
37	152927	Screw
38	186095X428	Insert Cap Strg Wh
39	19113812	Washer 11/32 ID x 2-3/8 OD x 12 Ga.
40	73540600	Crownlock nut
41	186737	Adaptor Wheel Strg
42	145054X428	Boot Steering Dash
43	121749X	Washer 25/32 x 1 1/4 x 16 Ga.
44	190752	Extension Steering Shaft
46	121232X	Cap Spindle Fr Top Blk
65	160367	Spacer Brace Axle
67	72110618	Bolt RDHD SQNK 3/8-16 x 2 1/4
71	175146	Steering Asm
68	169827	Axle, Brace
82	199978	Bracket Susp Chassis Front
87	173966	Washer Flat .781 x 1-1/2 x .14
88	175118	Bolt Shoulder 7/16-20 unc
91	175553	Clip Steering
95	188967	Washer Harden .739 x 1.637 x 060
97	74780564	Bolt 5/16-18 unc x 4 L Gr. 5

NOTE: All component dimensions given in U.S. inches
1 inch = 25.4 mm

REPAIR PARTS

TRACTOR - - MODEL NUMBER PB18542LT (96012004600), PRODUCT NO. 960 12 00-46
SEAT ASSEMBLY



seat_lt.knob_13

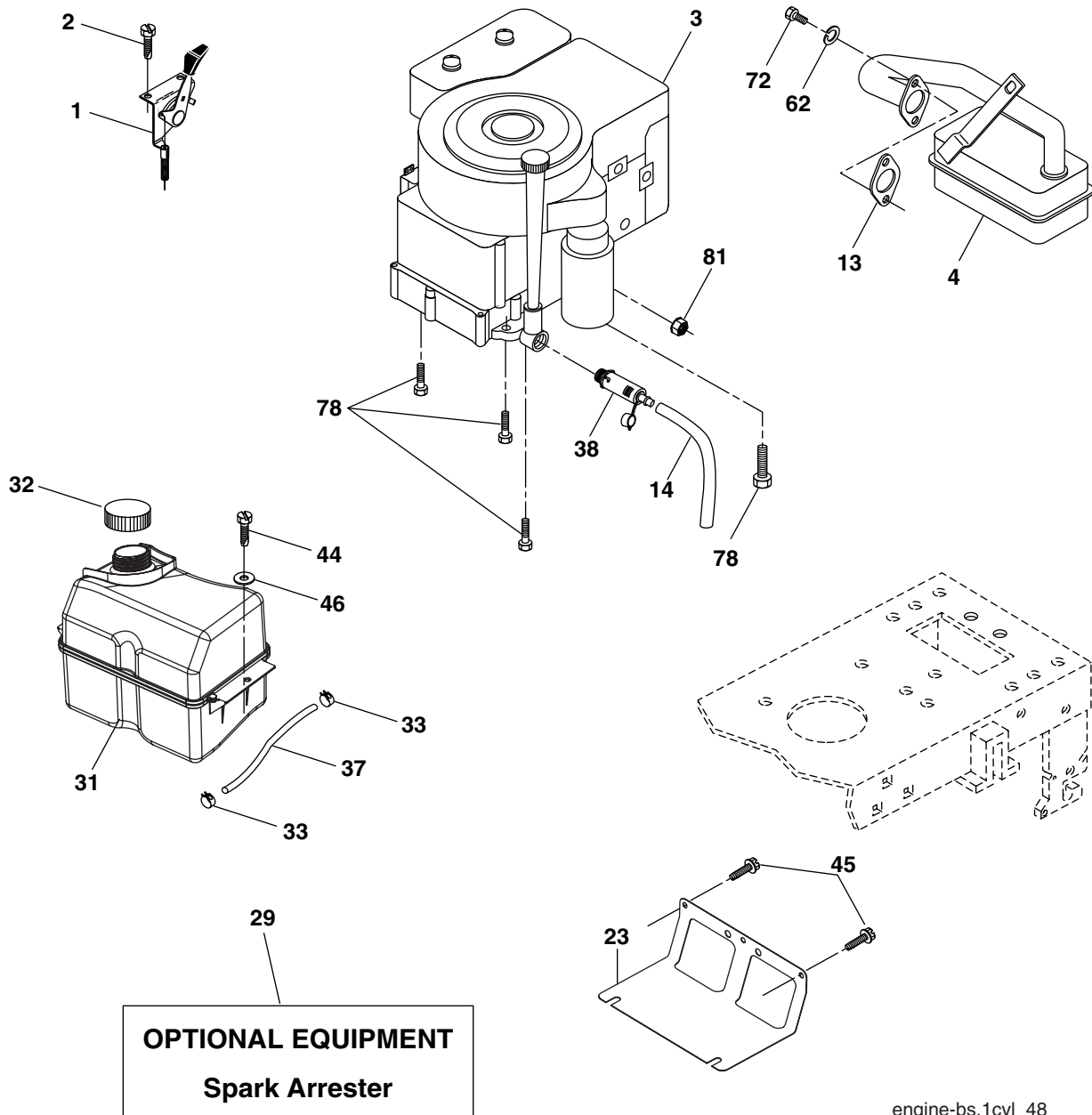
KEY NO.	PART NO.	DESCRIPTION
1	188712	Seat
2	140551	Bracket Pivot Seat 8 720
3	71110616	Bolt Fin Hex 3/8-16 unc x 1
4	19131610	Washer 13/32 x 1 x 10 Ga.
5	145006	Clip Push-In
6	73800600	Nut Hex w/Ins. 3/8-16 unc
7	124181X	Spring Seat Cprsn 2 250 Blk Zi
8	17000616	Screw 3/8-16 x 1.5 Smgml
9	19131614	Washer 13/32 x 1 x 14 Ga.
10	195530	Pan Seat
11	166369	Knob Seat
12	174648	Bracket Mounting Switch

KEY NO.	PART NO.	DESCRIPTION
13	121248X	Bushing Snap Blk Nyl 50 Id
14	72050412	Bolt Rdhd Sqnk 1/4-20 x 1-1/2
15	134300	Spacer Split 28x 88
16	121250X	Spring Cprsn
17	123976X	Nut Lock 1/4 Lge Flg Gr. 5 Zinc
21	171852	Bolt Shoulder 5/16-18 unc
22	73800500	Nut Hex Lock W/Ins 5/16-18
24	19171912	Washer 17/32 x 1-3/16 x 12 Ga.
25	127018X	Bolt Shoulder 5/16-18 x 62

NOTE: All component dimensions given in U.S. inches
1 inch = 25.4 mm

REPAIR PARTS

TRACTOR - - MODEL NUMBER PB18542LT (96012004600), PRODUCT NO. 960 12 00-46
ENGINE



OPTIONAL EQUIPMENT
Spark Arrester

engine-bs.1cyl_48

KEY NO.	PART NO.	DESCRIPTION
1	170551	Control, Throttle
2	17720408	Screw Hex Thd Cut 1/4-20 x 1/2
3	-----	Engine Briggs Model 31P777 (Order Parts from Engine Mfg.)
4	137352	Muffler
13	165291	Muffler Gasket
14	148456	Tube Oil Drain
23	169837	Shield, Browning/Debris Guard
29	137180	Arrester, Spark
31	185534	Tank, Fuel
32	140527	Cap, Fuel
33	123487X	Clamp, Hose Blk
37	401137	Line, Fuel
38	181654	Plug Drain Oil Easy
44	17670412	Screw Hex Wsh THDROL 1/4-20 x 3/4

KEY NO.	PART NO.	DESCRIPTION
45	17000612	Screw Hex Wsh Thdrol 3/8-16 x 3/4
46	19091416	Washer 9/32 x 7/8 x 16 Ga.
62	10010500	Washer Split
72	192334	Screw Hex Hd Cap 5/16-18 x 3/4
78	17060620	Screw 3/8-16 x 1-1/4
81	73510400	Nut Keps Hex 1/4-20 unc

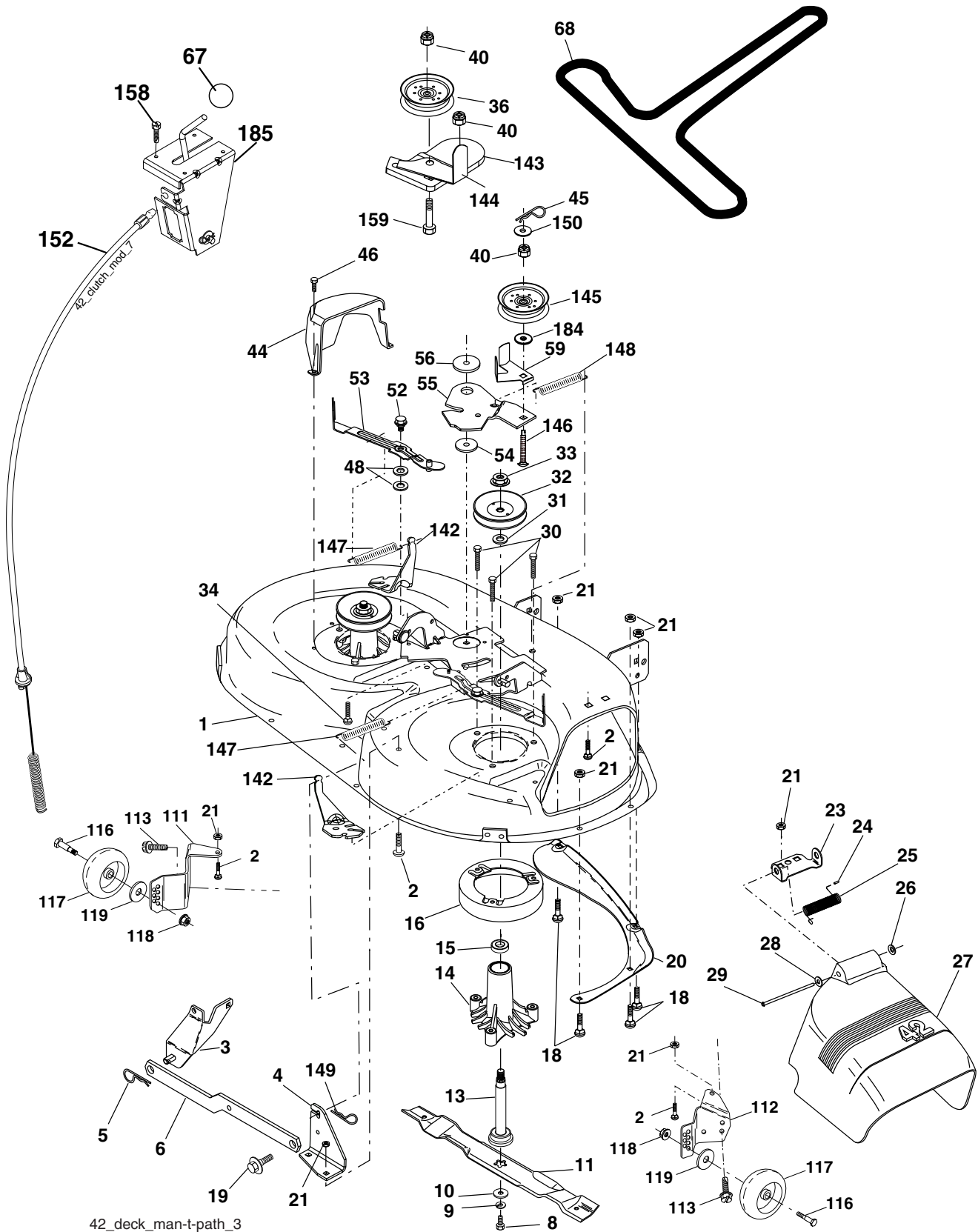
NOTE: All component dimensions given in U.S. inches
1 inch = 25.4 mm

For engine service and replacement parts, call the toll free number for your engine manufacturer listed below:

Briggs & Stratton	1-800-233-3723
Kohler Co.	1-800-544-2444
Tecumseh Products	1-800-558-5402
Honda Engines	1-800-426-7701
Kawasaki	1-949-460-5688

REPAIR PARTS

TRACTOR - - MODEL NUMBER PB18542LT (96012004600), PRODUCT NO. 960 12 00-46
MOWER DECK



42_deck_man-t-path_3

REPAIR PARTS

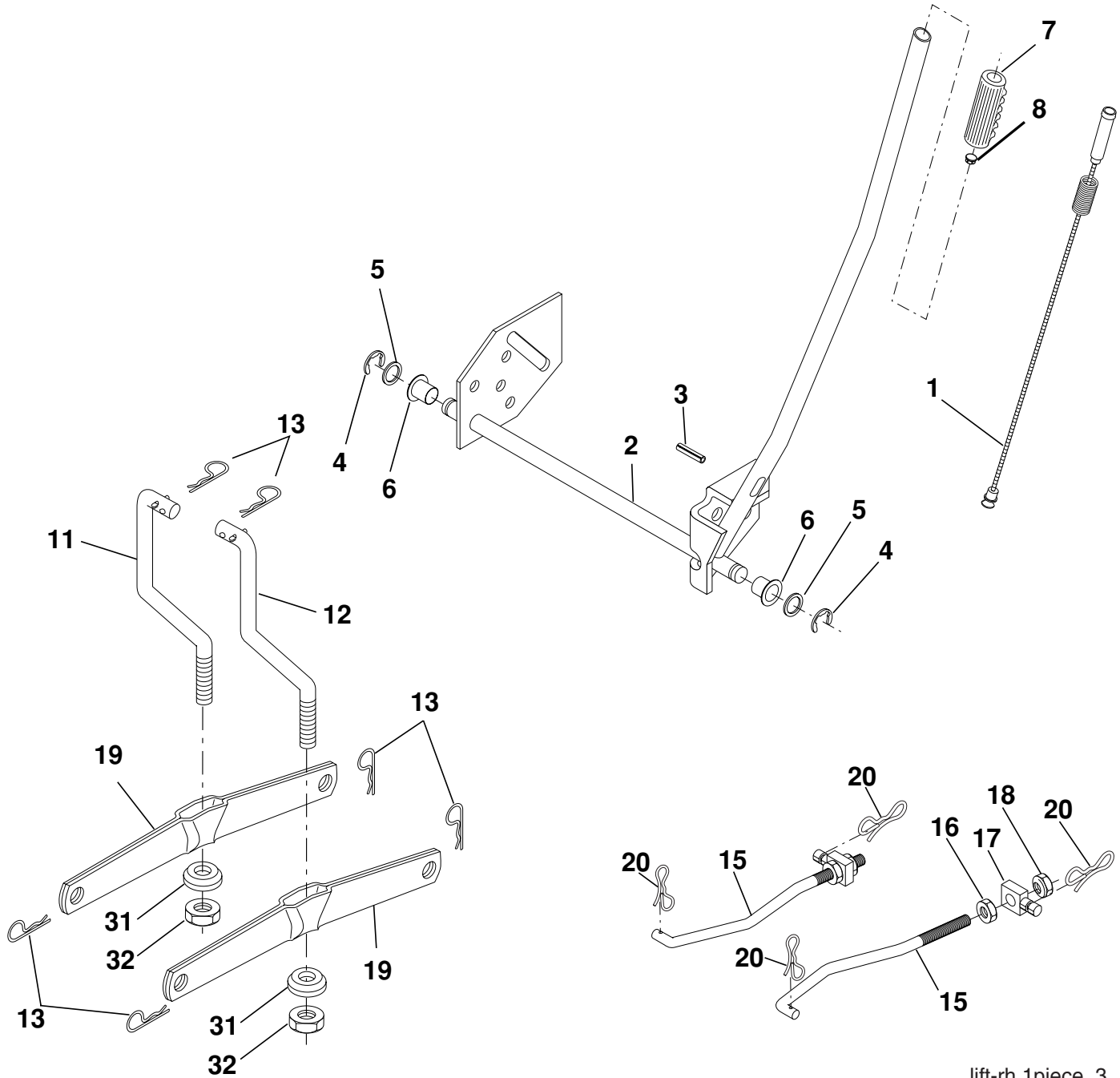
**TRACTOR - - MODEL NUMBER PB18542LT (96012004600), PRODUCT NO. 960 12 00-46
MOWER DECK**

KEY NO.	PART NO.	DESCRIPTION	KEY NO.	PART NO.	DESCRIPTION
1	165892	Mower Deck Assembly, 42"	53	184907	Arm Assembly, Pad, Brake
2	72140506	Bolt	54	178515	Washer, Hardened
3	138017	Bracket Asm Fr. Sway Bar 3/42	55	155046	Arm, Idler
4	165460	Bracket Asm Deck 42" Sway Bar	56	122052X	Spacer, Retainer
5	4939M	Retainer Spring	59	141043	Guard TUV Idler
6	178024	Bar Sway Deck	67	106932X	Knob
8	850857	Bolt 3/8-24 x 1.25 Gr. 8 patched	68	144959	V-Belt, 42" Mower
9	10030600	Washer, Lock	91	180532	Bracket Asm LH
10	140296	Washer, Hardened	92	73800600	Nut Lock Hex 3/8-16 unc
		(The following Blades are available)	94	132264	Roller Nose
11	138971	Blade Mower 42" Hi-Lift	95	180533	Bracket Nose RH
		(for bagging and discharging)	111	179292	Bracket Wheel Gauge LH
--	134149	Blade, Mulching 42" Std	112	179293	Bracket Wheel Gauge RH
		(for mulching mowers only)	113	17000510	Screw 5/16-18
--	139775	Blade Mulching 42" Premium	116	4898H	Bolt, Shoulder
		(For better wear when mulching)	117	188606	Wheel, Gauge
13	137645	Shaft Assembly, Mandrel, Vented	118	73930600	Nut Centerlock 3/8-16
14	128774	Housing, Mandrel, Vented	119	19121414	Washer 3/8 x 7/8 x 14 Ga.
15	110485X	Bearing, Ball, Mandrel	142	165890	Arm Spring Brake Mower
16	174493	Stripper, Mandrel Deck	143	157109	Bracket Arm Idler 42"
18	72140505	Bolt, Carriage 5/16-18 x 5/8	144	173441	Keeper Belt 42" Clutch Cable
19	132827	Bolt, Shoulder	145	173437	Pulley Idler Flat
20	159770	Baffle, Vortex	146	173443	Bolt Carriage Idler
21	73680500	Nut	147	131335	Spring Extension
23	177563	Bracket, Deflector Mower 42"	148	169022	Spring Return Idler
24	105304X	Cap, Sleeve 80 x 112 Blk Mower	149	165898	Retainer Spring Yellow
25	123713X	Spring, Torsion, Deflector 2 52	150	19091210	Washer 9/32 x 3/4 x 10 Ga.
26	110452X	Nut, Push Phos & Oil	152	169676	Clutch Cable 42"
27	130968X428	Shield, Deflector 42" Blk	158	17720408	Screw Hex Thd Cut 1/4-20 x 1/2
28	19111016	Washer 11/32 x 5/8 x 16 Ga.	159	72140614	Bolt Rdhd Sqn 3/8-16 unc x 1-3/4
29	131491	Rod, Hinge 42" 6 75 W/G	184	19131410	Washer 13/32 x 7/8 x 10 Ga.
30	173984	Screw Thdrol	185	188234	Head Asm Cable Clutch
31	187690	Washer, Spacer Mower Vented	--	130794	Mandrel Assembly (Includes Housing Shaft and Shaft Hardware Only - Pulley Not Included)
32	173436	Pulley, Mandrel			
33	178342	Nut, Toplock	--	172559	Replacement Mower, Complete (Std. deck Order separately gauge wheel and nose roller components Key Nos. 91, 94-95, 116-119, 132, 182-183)
34	72110612	Bolt Carr SH 3/8-16 x 1-1/2 Gr.5			
36	173438	Pulley, Idler, Flat			
40	73900600	Nut Lock 3/8-16			
44	140088	Guard, Mandrel, LH			
45	4497H	Retainer			
46	137729	Screw, Thdrol 1/4-20 x 5/8 T			
48	133944	Washer, Hardened			
52	139888	Bolt, Shoulder 5/16-18 unc			

NOTE: All component dimensions given in U.S. inches
1 inch = 25.4 mm

REPAIR PARTS

TRACTOR - - MODEL NUMBER PB18542LT (96012004600), PRODUCT NO. 960 12 00-46
MOWER LIFT



lift-rh.1piece_3

KEY NO.	PART NO.	DESCRIPTION
1	198417	Wire Asm Inner/Sprg W/plunger
2	198070	Shaft Asm Lift RH w/Inf
3	188822	Pin Groove 2"
4	12000002	E Ring #5133-62
5	19211621	Washer 21/32 x 1 x 21 Ga.
6	120183X	Bearing Nylon Blk 629 Id
7	125631X	Grip Handle
8	124526X	Button Plunger
11	139865	Link Lift LH Fixed Length
12	139866	Link Lift RH Fixed Length
13	4939M	Retainer Spring

KEY NO.	PART NO.	DESCRIPTION
15	173288	Link Front
16	73350800	Nut Jam Hex 1/2-13 unc
17	175689	Trunnion
18	73800800	Nut Lock W/Wsh 1/2-13 unc
19	139868	Arm Suspension Rear
20	194209	Pin Cotter 7/16 Bow Tie Lock
31	169865	Bearing Pvt Lift
32	73540600	Nut Crownlock 3/8 - 24

NOTE: All component dimensions given in U.S. inches
1 inch = 25.4 mm