

ILLUSTRATED PARTS LIST

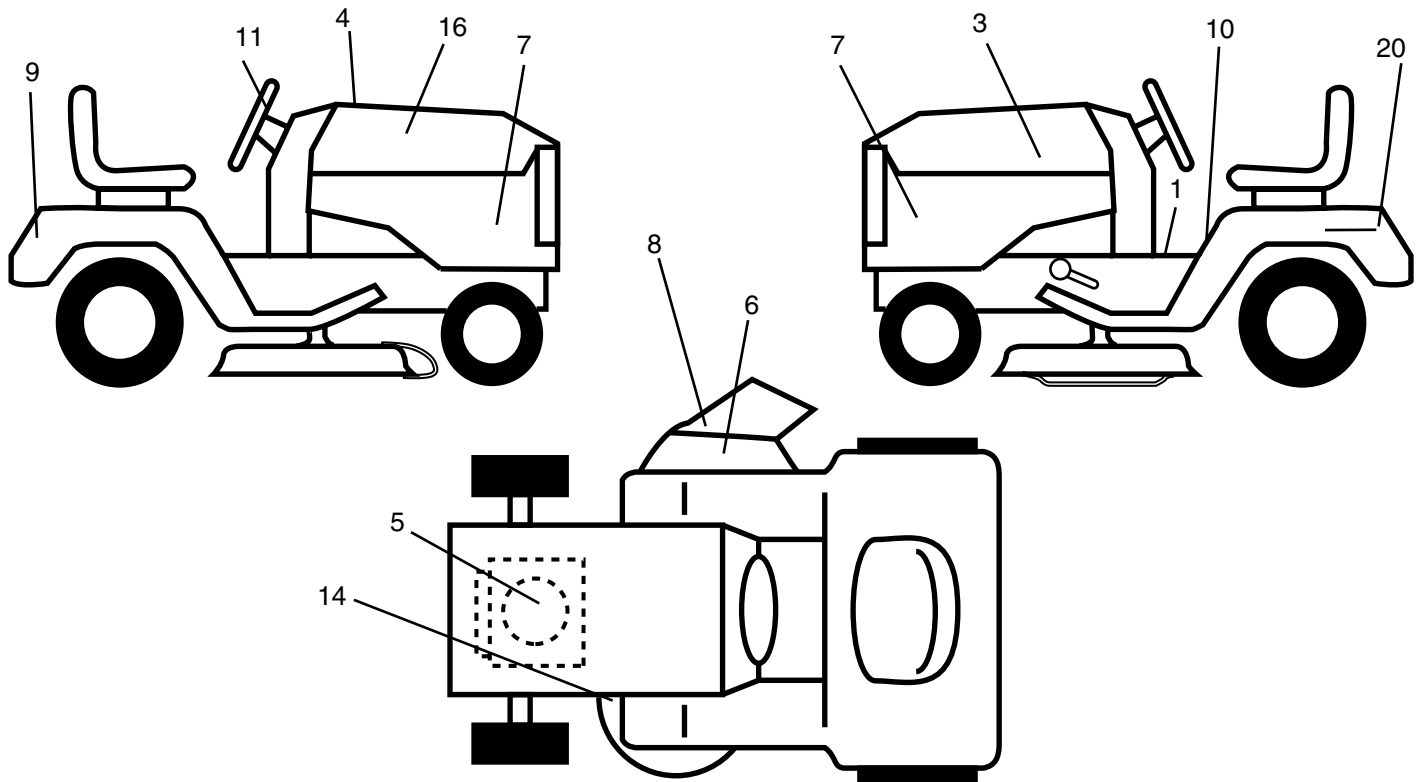
MODEL NO. 96017000100

CUSTOMER CATALOG NO. PO175H42ST

REPAIR PARTS

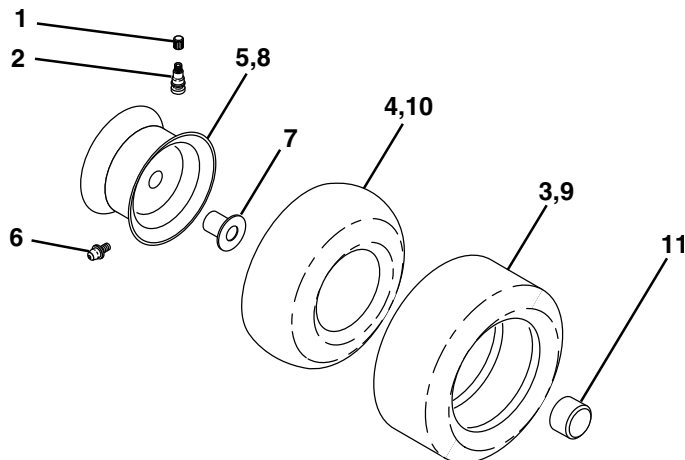
TRACTOR -- MODEL NUMBER PO175H42ST (96017000100)

DECALS



| KEY NO. | PART NO. | DESCRIPTION | KEY NO. | PART NO. | DESCRIPTION |
|---------|----------|-------------------------------|---------|----------|---------------------------------|
| 1 | 193939 | Decal, Oper | 10 | 157140 | Decal, Fender Danger E/F |
| 3 | 188978 | Decal, Hood LH | 11 | 189705 | Decal, Ins Strg Whl |
| 4 | 197068 | Decal, Replace | 14 | 160396 | Decal, V-Belt Schematic |
| 5 | 184774 | Decal, HP Engine | 16 | 188977 | Decal, Hood Rh |
| 6 | 179128 | Decal, Deck "B" 42" | 20 | 145005 | Decal, Bat Dan/Psn |
| 7 | 189710 | Decal, Side Panel | -- | 138311 | Decal, Handle Lft Height Adjust |
| 8 | 170563 | Decal, Warning Multi-Language | -- | 166960 | Decal, Bypass |
| 9 | 158166 | Decal, Fender Logo | -- | 197022 | Manual, Operator's E&F |
| | | | -- | 197023 | Manual, Parts E&F |

WHEELS & TIRES



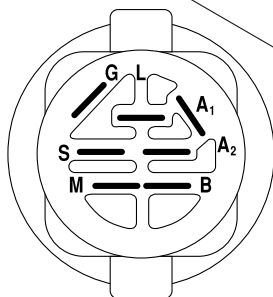
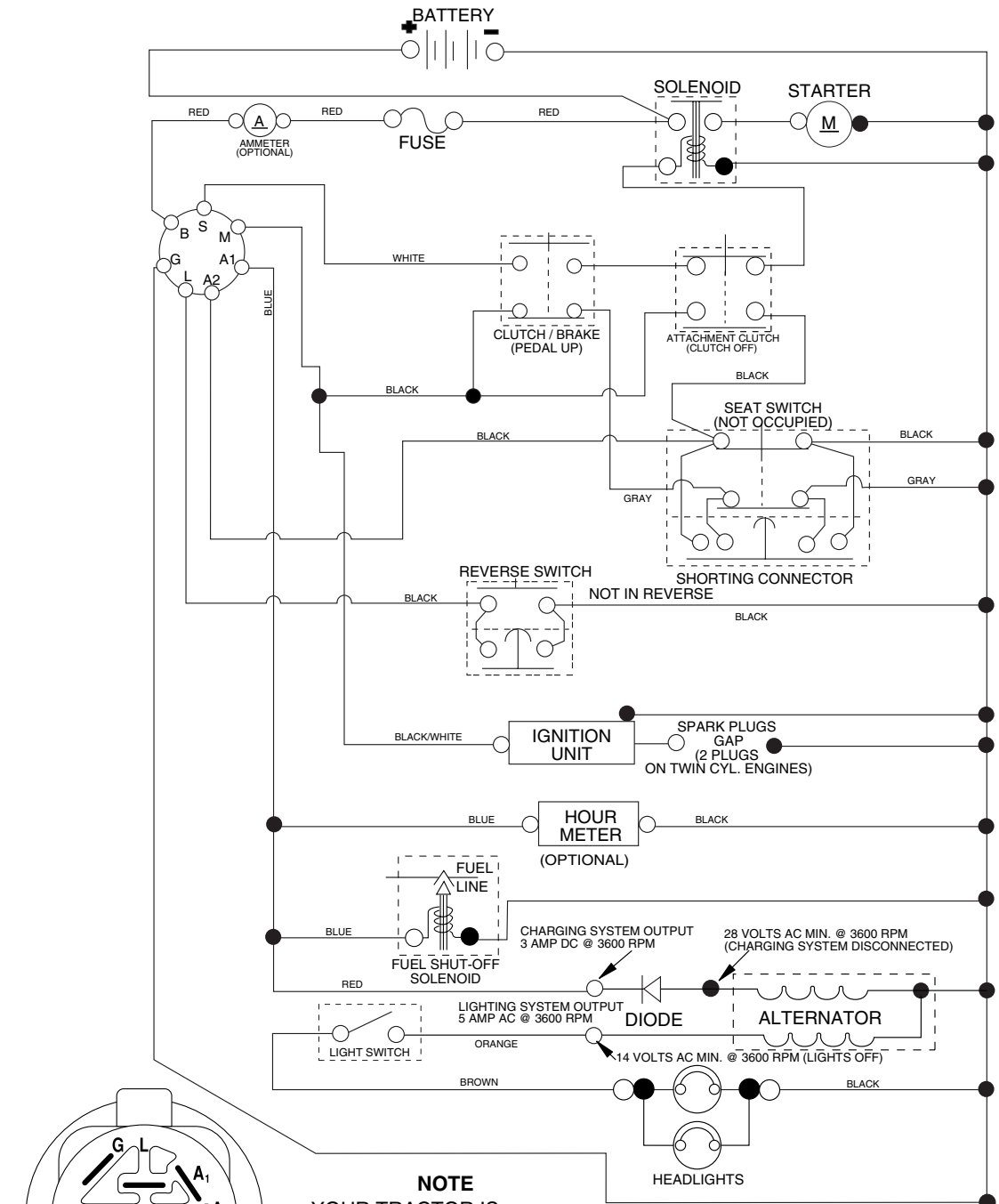
| KEY NO. | PART NO. | DESCRIPTION |
|---------|------------|-----------------------------------|
| 1 | 59192 | Cap Valve Tire |
| 2 | 65139 | Stem Valve |
| 3 | 106222X | Tire F Ts 15 x 6 0 - 6 Service |
| 4 | 59904 | Tube Front (Service Item Only) |
| 5 | 106732X624 | Rim Asm 6" front Service |
| 6 | 278H | Fitting Grease (Front Wheel Only) |
| 7 | 9040H | Bearing Flange (Front Wheel Only) |
| 8 | 106108X624 | Rim Asm 8" rear Service |
| 9 | 106268X | Tire R Ts 18 x 9.5-8 Service |
| 10 | 7152J | Tube Rear (Service Item Only) |
| 11 | 104757X428 | Cap Axle 1 50 x 1 00 |
| -- | 144334 | Sealant, Tire (10 oz. Tube) |

NOTE: All component dimensions given in U.S. inches
1 inch = 25.4 mm

REPAIR PARTS

TRACTOR - - MODEL NUMBER PO175H42ST (96017000100)

SCHEMATIC



IGNITION SWITCH

| POSITION | CIRCUIT | "MAKE" |
|--------------|------------|--------|
| OFF | M+G+A1 | |
| RUN/OVERRIDE | B+A1 | |
| RUN | B+A1 | L+A2 |
| START | B + S + A1 | |

02836

NOTE

YOUR TRACTOR IS EQUIPPED WITH A SPECIAL ALTERNATOR SYSTEM. THE LIGHTS ARE NOT CONNECTED TO THE BATTERY, BUT HAVE THEIR OWN ELECTRICAL SOURCE. BECAUSE OF THIS, THE BRIGHTNESS OF THE LIGHTS WILL CHANGE WITH ENGINE SPEED. AT IDLE THE LIGHTS WILL DIM. AS THE ENGINE IS SPEEDED UP, THE LIGHTS WILL BECOME THEIR BRIGHTEST.

● NON-REMOVABLE CONNECTIONS

○ REMOVABLE CONNECTIONS

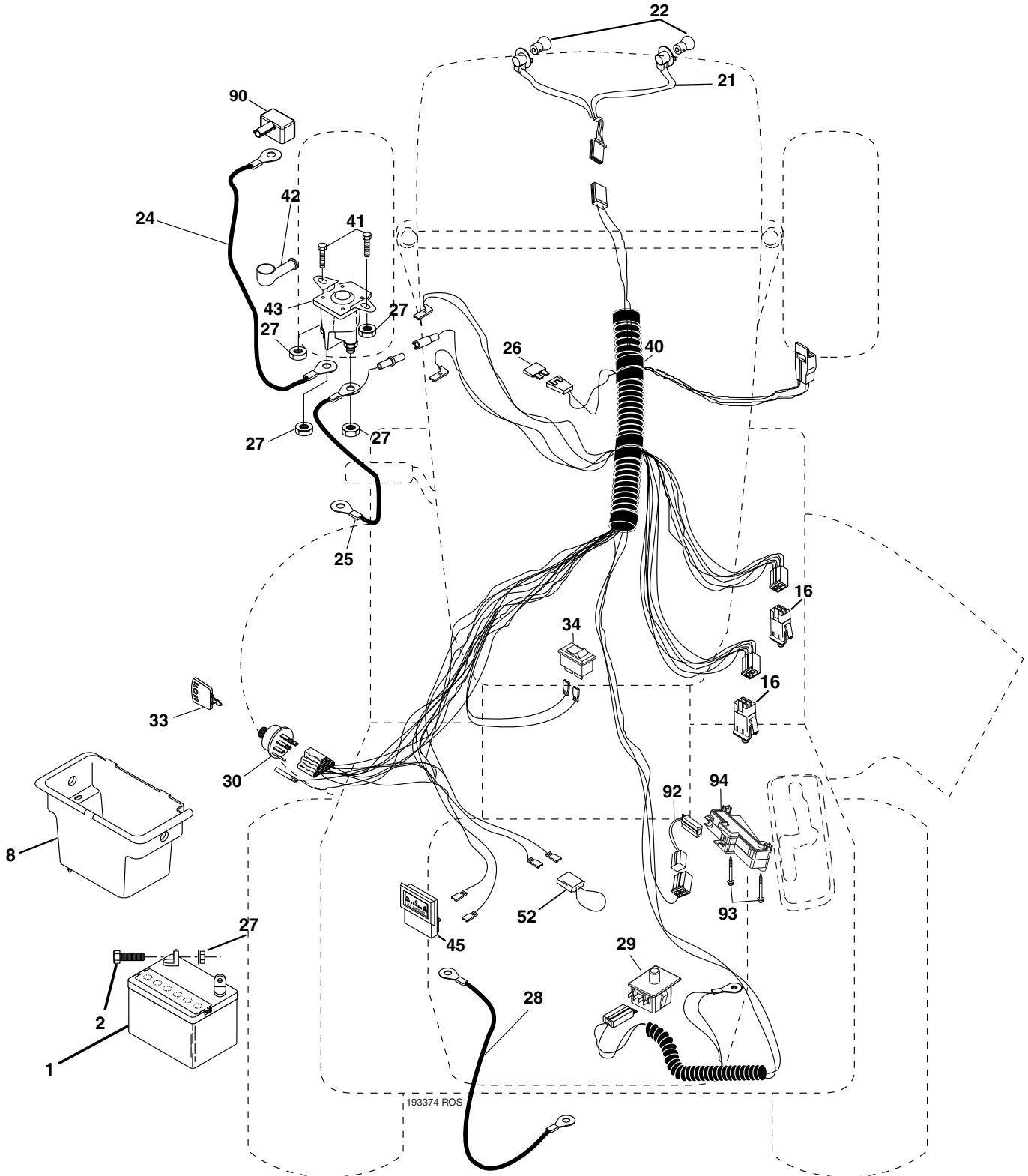
WIRING INSULATED CLIPS

NOTE: IF WIRING INSULATED CLIPS WERE REMOVED FOR SERVICING OF UNIT, THEY SHOULD BE REPLACED TO PROPERLY SECURE YOUR WIRING.

REPAIR PARTS

TRACTOR - - MODEL NUMBER PO175H42ST (96017000100)

ELECTRICAL



REPAIR PARTS

TRACTOR - - MODEL NUMBER PO175H42ST (96017000100)

ELECTRICAL

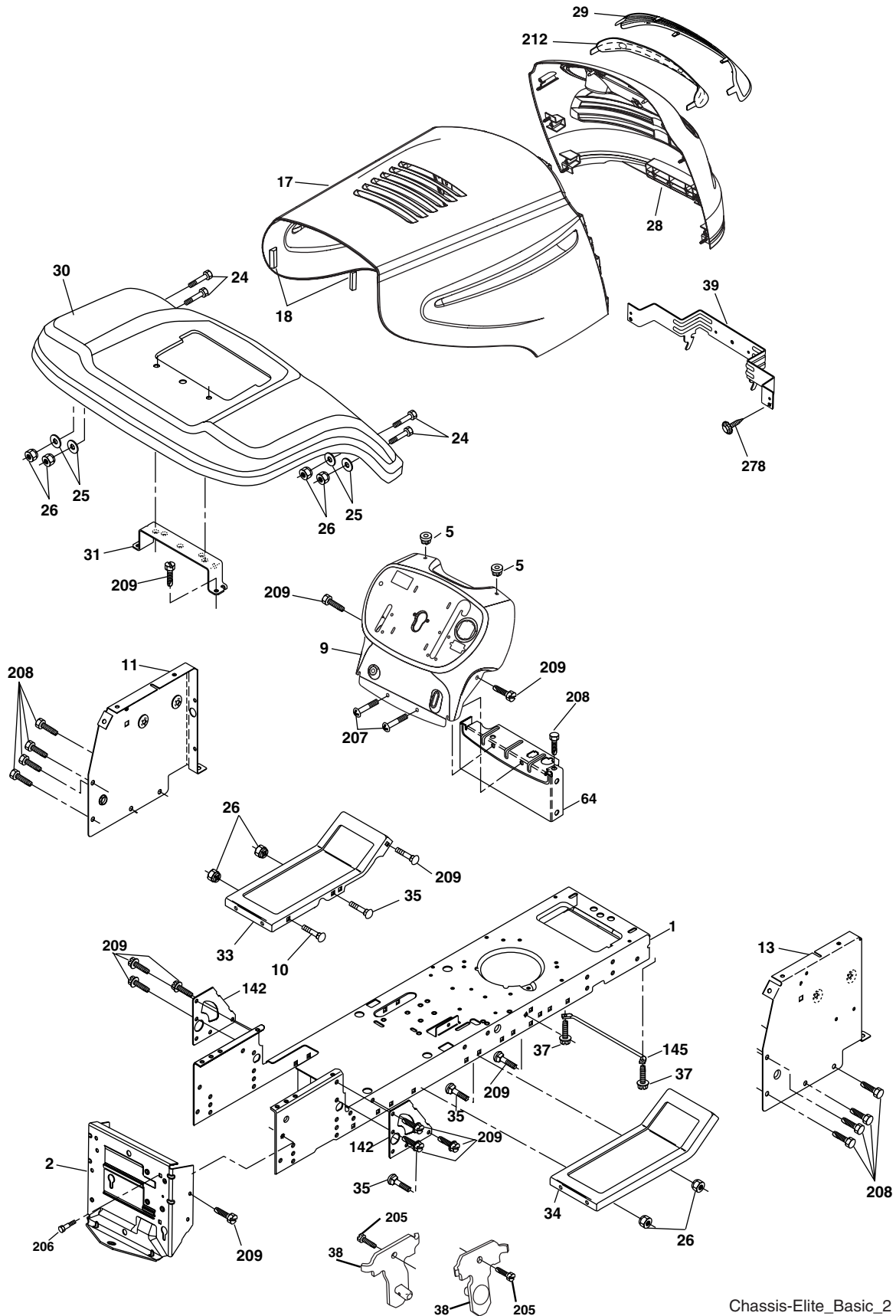
| KEY NO. | PART NO. | DESCRIPTION |
|---------|----------|-----------------------------------|
| 1 | 163465 | Battery 12 Volt 25 Amp |
| 2 | 74760412 | Bolt Hex Hd 1/4-20 unc x 3/4 |
| 8 | 176689 | Box Battery |
| 16 | 176138 | Switch Interlock Push -In |
| 21 | 183759 | Harness Asm Light W/4152J |
| 22 | 4152J | Bulb Light #1156 |
| 24 | 4799J | Cable Battery 6 Ga. 11"red |
| 25 | 146147 | Cable Battery 6 Ga. w/16 wire,red |
| 26 | 175158 | Fuse 20 AMP |
| 27 | 73510400 | Nut Keps Hex 1/4-20 unc |
| 28 | 4207J | Cable Ground 6 Ga. 12" black |
| 29 | 192749 | Switch Seat |
| 30 | 193350 | Switch Ign |
| 33 | 140401 | Key Ign |
| 34 | 110712X | Switch Light/Reset |
| 40 | 193374 | Harness Ign |
| 41 | 71110408 | Bolt Blk Fin Hex 1/4-20 x 1/2 |
| 42 | 131563 | Cover Terminal Red |
| 43 | 192507 | Solenoid |
| 45 | 121433X | Ammeter |
| 52 | 141940 | Protection Wire Loop |
| 90 | 180449 | Cover Terminal |
| 92 | 193465 | Harness Pigtail |
| 93 | 192540 | Screw Plastite 10-14 x 2.0 |
| 94 | 191834 | Module Reverse |

NOTE: All component dimensions give in U.S. inches
1 inch = 25.4 mm.

REPAIR PARTS

TRACTOR - - MODEL NUMBER PO175H42ST (96017000100)

CHASSIS AND ENCLOSURES



REPAIR PARTS

TRACTOR - - MODEL NUMBER PO175H42ST (96017000100) CHASSIS AND ENCLOSURES

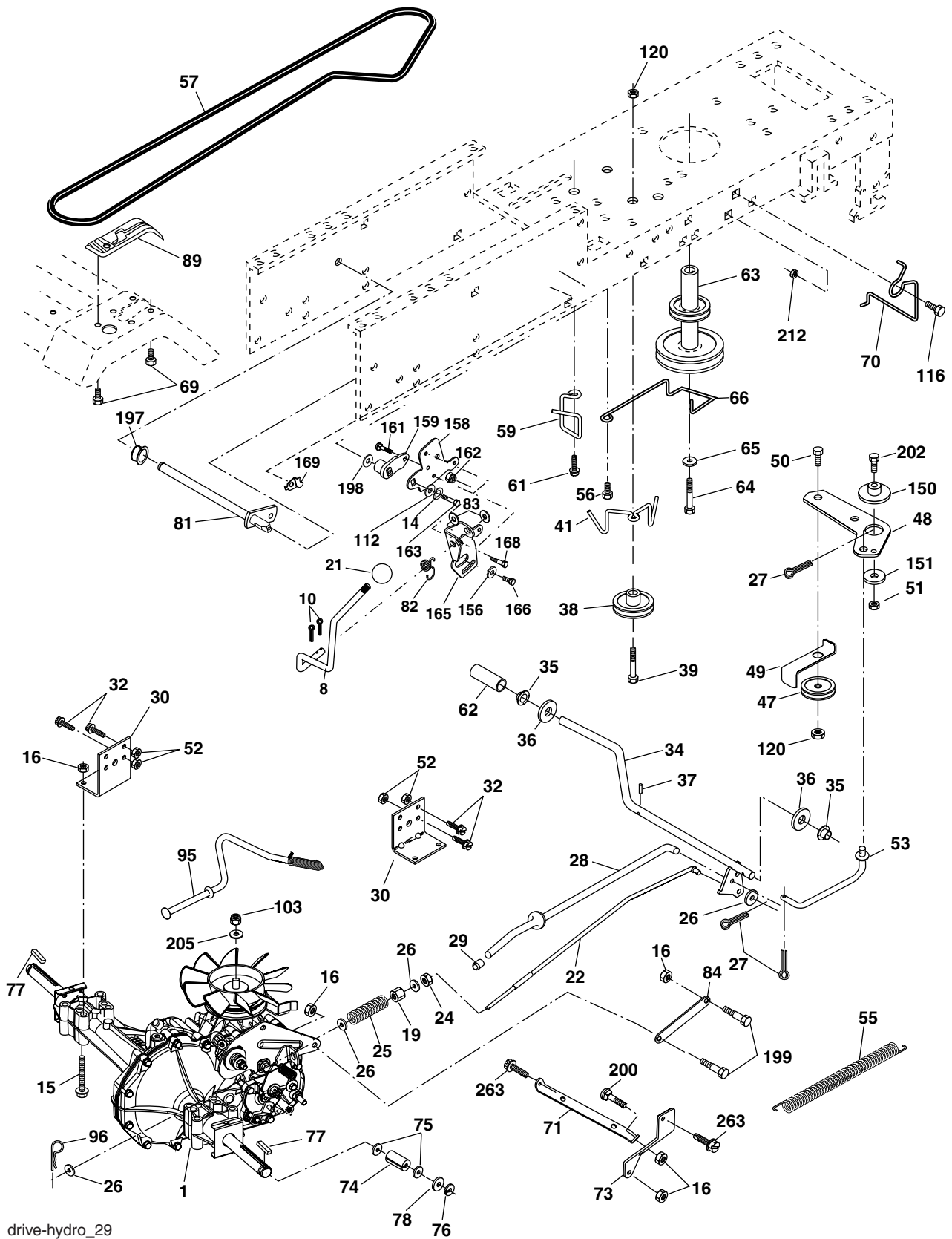
| KEY NO. | PART NO. | DESCRIPTION |
|---------|------------|--|
| 1 | 174619 | Chassis |
| 2 | 176554 | Drawbar |
| 5 | 155272 | Bumper Hood/Dash |
| 9 | 193511X012 | Dash |
| 10 | 72140608 | Bolt Carriage 3/8-16 x 1 |
| 11 | 174996 | Panel Dash Lh |
| 13 | 179174X010 | Panel Dash Rh |
| 17 | 183394X428 | Hood |
| 18 | 184921 | Bumper Hood |
| 24 | 74780616 | Bolt Fin Hex 3/8-16 x 1 Gr. 5 |
| 25 | 19131312 | Washer 13/32 x 13/16 x 12 Ga. |
| 26 | 73800600 | Nut Lock Hex W/Ins 3/8-16 unc |
| 28 | 183826 | Grille Assembly (Includes key nos. 29 and 212) |
| 29 | 183824X599 | Lens |
| 30 | 192526X428 | Fender Footrest STLT Pnt |
| 31 | 136619 | Bracket Support Fender |
| 33 | 179716X428 | Footrest Pnt Lh |
| 34 | 179717X428 | Footrest Pnt Rh |
| 35 | 72110606 | Bolt Rdhd Sht Sqnk 3/8-16 x 3/4 |
| 37 | 17490508 | Screw Thdrol 6/16-18 x 1/2 TYT |
| 38 | 175710 | Bracket Asm. Pivot Mower Rear |
| 39 | 174714 | Bracket Pivot |
| 64 | 154798 | Dash Lower STLT |
| 142 | 175702 | Plate Reinforcement STLT |
| 145 | 156524 | Rod Pivot Chassis/Hood |
| 205 | 17490608 | Screw Thdrol 3/8-16 x 1-1/4 |
| 206 | 170165 | Bolt Shoulder 5/16-18 |
| 207 | 17670508 | Screw Thdrol 5/16-18 x 1/2 |
| 208 | 17670608 | Screw Thdrol 3/8-16 x 1/2 |
| 209 | 17000612 | Screw Hex Wsh Thdr. 3/8-16 x 3/4 |
| 212 | 183823 | Insert Lens Reflect |
| 278 | 191611 | Screw 10 x 3/4 Single Lead-Hex |
| -- | 5479J | Plug Btn Blk .359 |
| -- | 187801 | Plug Dome |

NOTE: All component dimensions given in U.S. inches
1 inch = 25.4 mm

REPAIR PARTS

TRACTOR -- MODEL NUMBER PO175H42ST (96017000100)

DRIVE



drive-hydro_29

REPAIR PARTS

TRACTOR - - MODEL NUMBER PO175H42ST (96017000100)

DRIVE

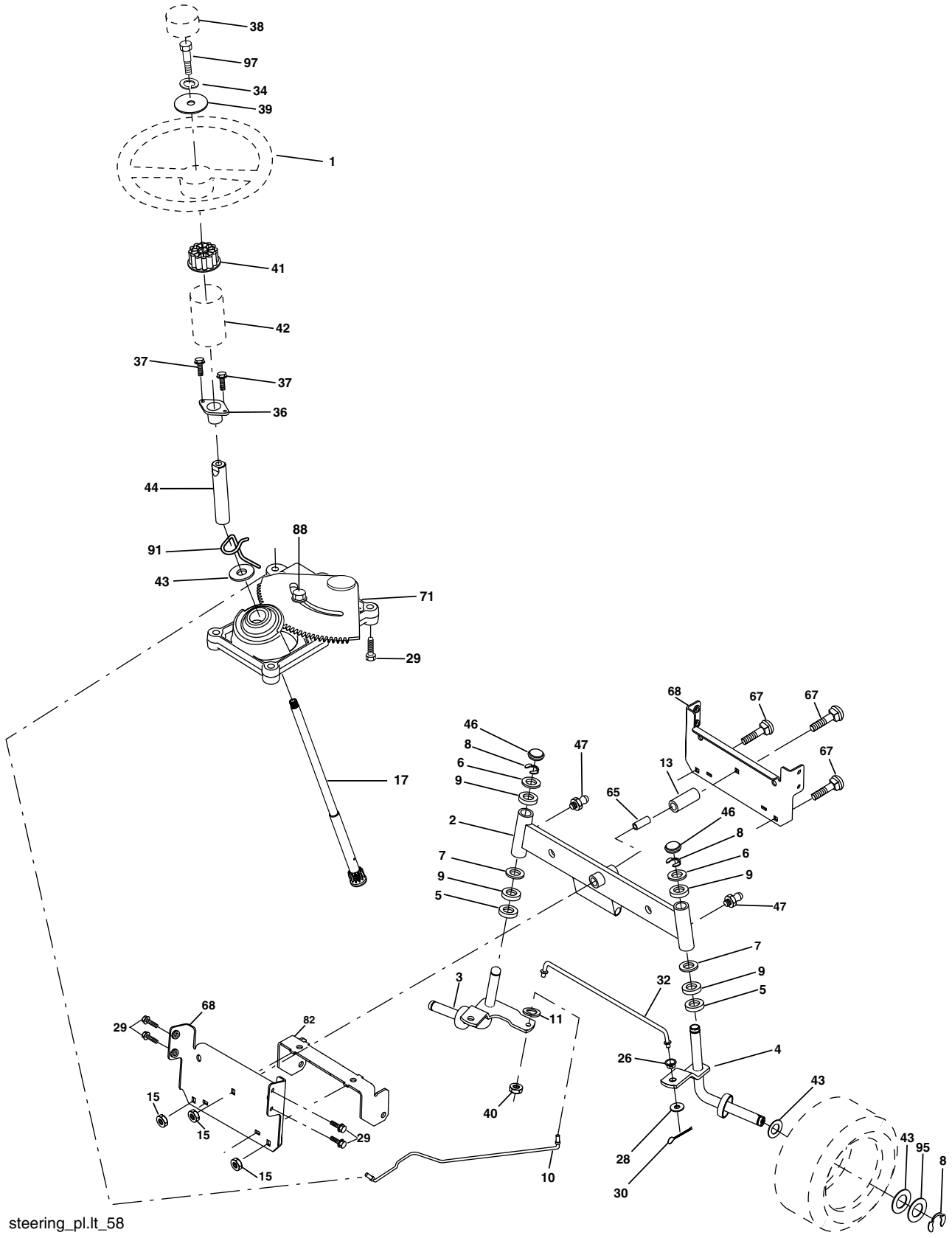
| KEY NO. | PART NO. | DESCRIPTION | KEY NO. | PART NO. | DESCRIPTION |
|---------|----------|---|---------|------------|------------------------------------|
| 1 | ----- | Transaxle Hydro Gear Model 322-0510 (Order parts from transaxle manufacturer) | 69 | 142432 | Screw Hex wsh HiLo 1/4 x 1/2 unc |
| 8 | 192706 | Rod Shift | 70 | 134683 | Guide Belt Mower Drive RH |
| 10 | 76020416 | Pin Cotter 1/8 X 1 | 71 | 169183 | Strap Torque, LH |
| 14 | 10040400 | Washer Lock 1/4 | 73 | 169182 | Strap Torque, RH |
| 15 | 74490544 | Bolt Hex FLGHD 5/16-18 Gr. 5 unc | 74 | 137057 | Spacer Axle |
| 16 | 73800500 | Nut Lock Hex w/ins 5/16-18 unc | 75 | 121749X | Washer 25/32 x 1 1/4 x 16 Ga. |
| 19 | 73800600 | Nut Lock Hex w/wsh 3/8-16 unc | 76 | 12000001 | Ring, E |
| 21 | 106933X | Knob Rd 1/2-13 Plasc Thds Blk | 77 | 123583X | Key Square |
| 22 | 169498 | Rod Brake | 78 | 121748X | Washer 25/32 x 1-5/8 x 16 Ga. |
| 24 | 73350600 | Nut | 81 | 165596 | Shaft Asm Cross |
| 25 | 106888X | Spring Rod Brake | 82 | 165711 | Spring Torsion |
| 26 | 19131316 | Washer 13/32 x 13/16 x 16 Ga. | 83 | 19171216 | Washer 17/32 x 3/4 x 16 Ga. |
| 27 | 76020412 | Pin Cotter 1/8 x 3/4 | 84 | 169843 | Link Transaxle |
| 28 | 175765 | Rod Brake Parking | 89 | 192056X428 | Console Shift |
| 29 | 71673 | Cap Brake Parking | 95 | 170201 | Control Asm Bypass Hydro |
| 30 | 174973 | Bracket Transmission | 96 | 4497H | Retainer Spring 1" |
| 32 | 74760512 | Bolt Hex Hd 5/16-18 unc x 3/4 | 103 | 73940800 | Nut, Hex Jam Top Lock 1/2-20 unf |
| 34 | 175578 | Shaft Foot Pedal | 112 | 19091210 | Washer 9/32 x 3/4 x 10 Ga. |
| 35 | 120183X | Bearing Nylon | 116 | 72140608 | Bolt 3/8-16 x 1 |
| 36 | 19211616 | Washer | 120 | 73900600 | Bolt Hex 3/8-16 x 1-1/2 |
| 37 | 1572H | Pin Roll | 150 | 175456 | Spacer Retainer |
| 38 | 179114 | Pulley Idler Composite | 151 | 19133210 | Washer 13/32 x 2 x 10 |
| 39 | 72110622 | Bolt | 156 | 166002 | Washer 5/16 x 1.0 x 1.25 |
| 41 | 175556 | Keeper Belt Idler | 158 | 165589 | Bracket Shift Mount |
| 47 | 127783 | Pulley Idler V-Belt | 159 | 183900 | Hub Tapered Flange Shift |
| 48 | 154407 | Bellcrank Clutch Grnd Drustl | 161 | 72140406 | Bolt Rdhd Sqnk 1/4-20 x 3/4 Gr. 5 |
| 49 | 123205X | Retainer Belt | 162 | 73680400 | Nut Crownlock 1/4-20 unc |
| 50 | 72110612 | Bolt Carr. Sh. 3/8-16 x 1-1/2 Gr. 5 | 163 | 74780416 | Bolt Hex Fin 1/4-20 x 1 |
| 51 | 73680600 | Nut | 165 | 165623 | Bracket Pivot Lever |
| 52 | 73680500 | Nut Crownlock 5/16-28 | 166 | 17490510 | Screw 5/16-18 x 1.0 x .125 |
| 53 | 105710X | Link Clutch | 168 | 165492 | Bolt Shoulder 5/16-18 x .561 |
| 55 | 105709X | Spring Return Clutch | 169 | 165580 | Plate Fastening |
| 56 | 17060620 | Screw 3/8-16 x 1-1/4 | 197 | 169613 | Nyliner Snap-In 5/8 |
| 57 | 140294 | V-Belt Drive | 198 | 169593 | Washer Nyliner 7/8 ID x .105 HYD |
| 59 | 169691 | Keeper Belt Center | 199 | 169612 | Bolt Shoulder 5/16-18 unc |
| 61 | 17120614 | Screw 3/8-16 x .875 | 200 | 72140508 | Bolt Rdhd Sqnk 5/16-18 unc x 1 |
| 62 | 8883R | Cover Pedal | 202 | 72110614 | Bolt RdHd 3/8-16 unc x 1-1/2 Gr. 5 |
| 63 | 175410 | Engine Pulley | 205 | 19171616 | Washer 17/32 x 1 x 16 Ga. |
| 64 | 173937 | Bolt Hex 7/16-20 x 4 x Gr. 5-1.5 THr. | 212 | 145212 | Nut Hex flange Lock |
| 65 | 10040700 | Washer | 263 | 17000612 | Screw 3/8-16 x .75 |
| 66 | 154778 | Keeper Belt Engine Hydro | | | |

NOTE: All component dimensions given in U.S. inches
1 inch = 25.4 mm

REPAIR PARTS

TRACTOR -- MODEL NUMBER PO175H42ST (96017000100)

STEERING ASSEMBLY



steering_pl.it_58

REPAIR PARTS

TRACTOR - - MODEL NUMBER PO175H42ST (96017000100) STEERING ASSEMBLY

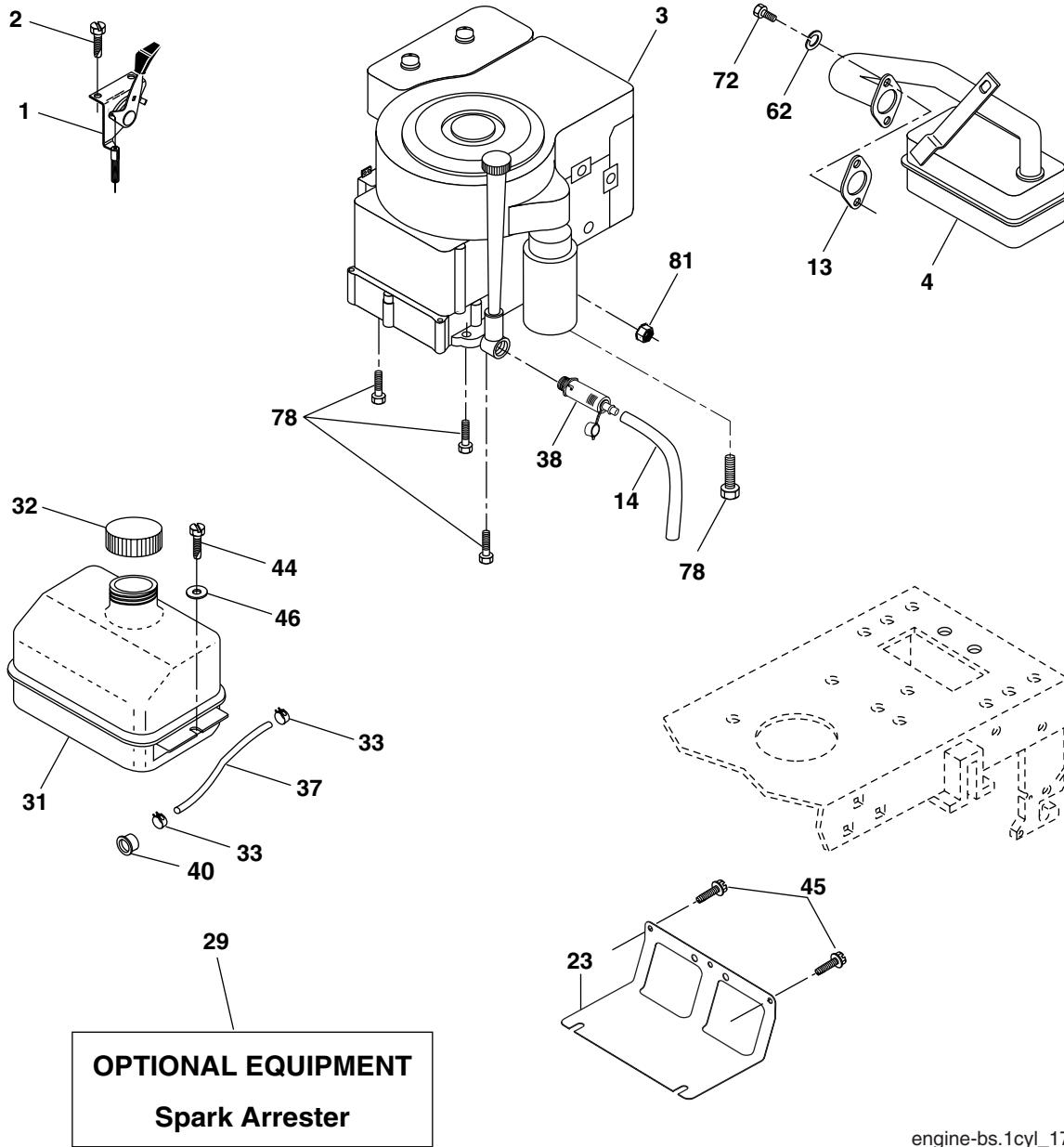
| KEY NO. | PART NO. | DESCRIPTION |
|---------|------------|-----------------------------------|
| 1 | 186780 | Wheel Steering |
| 2 | 175131 | Axle Asm Front |
| 3 | 169840 | Spindle Asm Lh |
| 4 | 169839 | Spindle Asm Rh |
| 5 | 6266H | Bearing Race Thrust Harden |
| 6 | 121748X | Washer 25/32 x 1 5/8 x 16 Ga. |
| 7 | 19272016 | Washer 27/32 x 1 1/4 x 16 Ga. |
| 8 | 12000029 | Ring Klip #t5304-75 |
| 9 | 3366R | Bearing Col Strg Blk |
| 10 | 175121 | Link Drag Extended |
| 11 | 10040600 | Lockwasher |
| 13 | 136518 | Spacer Bearing Axle Front |
| 15 | 145212 | Hex Flange Lock |
| 17 | 190753 | Shaft Asm Strg |
| 26 | 126847X | Bushing Rod Tie Blk Lt |
| 28 | 19131416 | Washer 13/32 x 7/8 x 16 Ga. |
| 29 | 17000612 | Screw 3/8-16 x 3/4 |
| 30 | 76020412 | Pin |
| 32 | 192757 | Rod Tie Wire Form |
| 34 | 10040500 | Washer Lock Hvy Hlcl Spr. 5/16 |
| 36 | 155099 | Bushing Strg 5/8 Id Dash |
| 37 | 152927 | Screw TT #10-32 x 5 x 3/8 Flange |
| 38 | 192916 | Insert Cap Strg |
| 39 | 19113812 | Washer 11/32 ID x 2-3/8 OD 12 Gr. |
| 40 | 73540600 | Nut Crownlock |
| 41 | 186737 | Adaptor Wheel Strg .760 |
| 42 | 145054X428 | Boot Dash Steering |
| 43 | 121749X | Washer 25/32 x 1 1/4 x 16 Ga. |
| 44 | 190752 | Extension Steering |
| 46 | 121232X | Cap Spindle Fr Top Blk |
| 47 | 183226 | Fitting Grease |
| 65 | 160367 | Spacer Brace Axle |
| 67 | 72110618 | Bolt Rdhd Sq 3/8-16 unc x 2-1/4 |
| 68 | 169827 | Brace Axle |
| 71 | 175146 | Steering Asm |
| 82 | 169835 | Bracket Susp Chassis Front |
| 88 | 175118 | Bolt Shoulder 7/16-20 |
| 91 | 175553 | Clip Steering |
| 95 | 188967 | Washer Hardened |
| 97 | 74780564 | Bolt 5/16-18 unc x 4" L Gr. 5 |

NOTE: All component dimensions given in U.S. inches
1 inch = 25.4 mm

REPAIR PARTS

TRACTOR - - MODEL NUMBER PO175H42ST (96017000100)

ENGINE



engine-bs.1cyl_17

| KEY NO. | PART NO. | DESCRIPTION |
|---------|----------|--|
| 1 | 170551 | Control Throttle /Choke Flag |
| 2 | 17720408 | Screw Hex Thd Cut 1/4-20 x 1/2 |
| 3 | ----- | Engine Briggs Model 31C707 (Order Parts From Engine Manufacturer) |
| 4 | 137352 | Muffler Exhaust B&S Lt |
| 13 | 165291 | Gasket 1 313 Id Tin Plated |
| 14 | 148456 | Tube Drain Oil Easy |
| 23 | 169837 | Shield Browning/Debris Guard |
| 29 | 137180 | Arrestor Spark |
| 31 | 187750 | Tank Fuel 1 25 Fr |
| 32 | 140527 | Cap Asm Fuel W/sym Vented |
| 33 | 123487X | Clamp Hose Blk |
| 37 | 137040 | Line Fuel 20" |
| 38 | 181654 | Plug Drain Oil Easy |
| 40 | 124028X | Bushing Snap Nyl Blk Fuel Line |
| 44 | 17670412 | Screw Hexwsh Thdrol 1/4-20 x 3/4 |

| KEY NO. | PART NO. | DESCRIPTION |
|---------|----------|--------------------------------|
| 45 | 17000612 | Screw Hex Wsh Thdrol 3/8-16 |
| 46 | 19091416 | Washer 9/32 X 7/8 X 16 Ga. |
| 62 | 10010500 | Washer Split |
| 72 | 71070512 | Screw Hex Hd Cap 5/16-18 x 3/4 |
| 78 | 17060620 | Screw Thdrol 3/8-16 x 1-1/4 |
| 81 | 73510400 | Nut Keps Hex 1/4-20 unc |

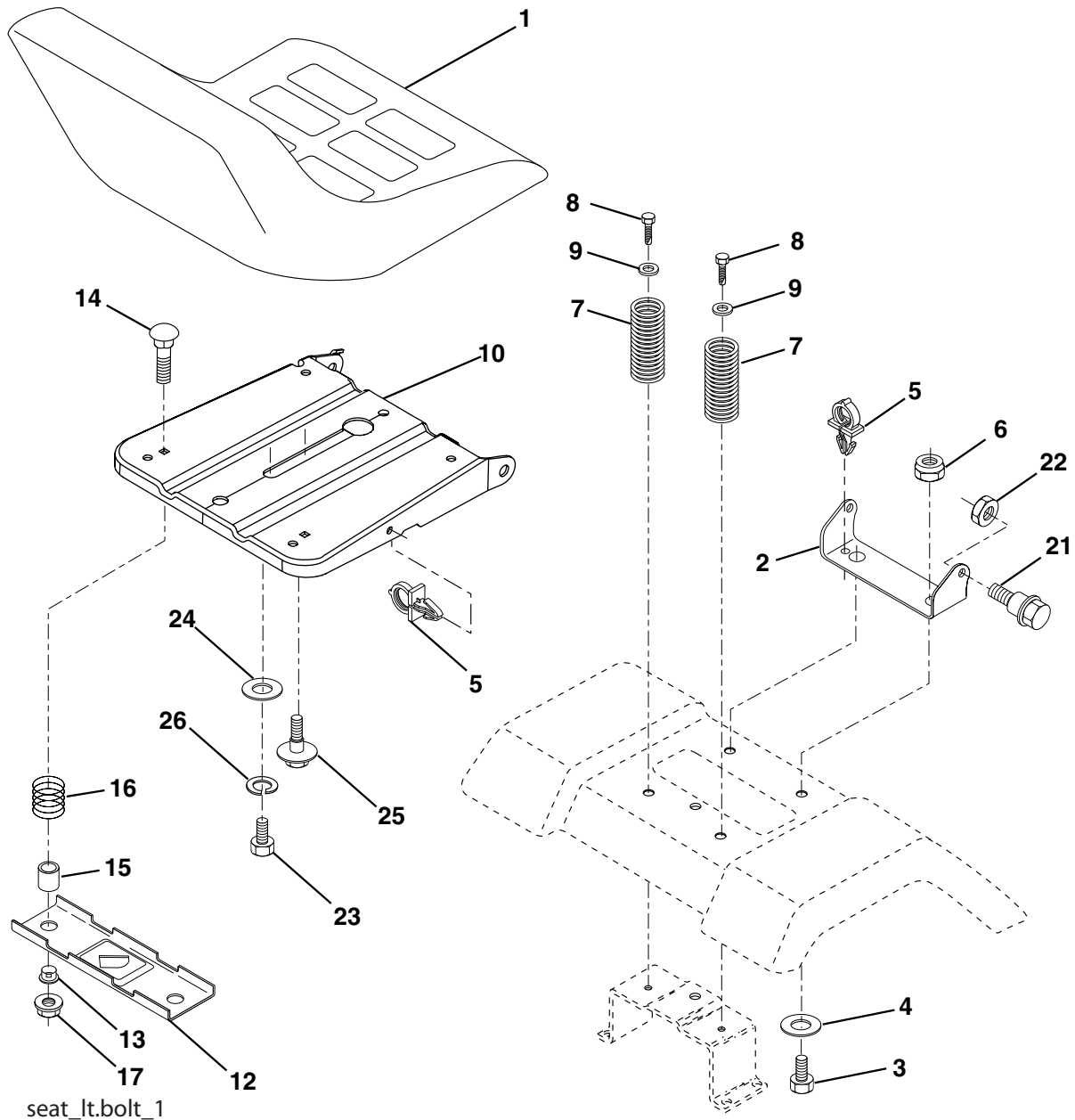
NOTE: All component dimensions given in U.S. inches
1 inch = 25.4 mm
For engine service and replacement parts, call the toll free number for your engine manufacturer listed below:

| | |
|-------------------|----------------|
| Briggs & Stratton | 1-800-233-3723 |
| Kohler Co. | 1-800-544-2444 |
| Tecumseh Products | 1-800-558-5402 |
| Honda Engines | 1-800-426-7701 |
| Kawasaki | 1-800-460-5688 |

REPAIR PARTS

TRACTOR - - MODEL NUMBER PO175H42ST (96017000100)

SEAT ASSEMBLY



| KEY NO. | PART NO. | DESCRIPTION |
|---------|----------|--------------------------------|
| 1 | 175389 | Seat |
| 2 | 140551 | Bracket Pnt Pivot Seat (blk) |
| 3 | 71110616 | Bolt |
| 4 | 19131610 | Washer 13/32 x 1 x 10 Ga. |
| 5 | 145006 | Clip Push-In Hinged |
| 6 | 73800600 | Nut |
| 7 | 124181X | Spring Seat Cprsn 2 250 Blk Zi |
| 8 | 17000616 | Screw 3/8-16 x 1.5 |
| 9 | 19131614 | Washer 13/32 x 1 x 14 Ga. |
| 10 | 182493 | Pan Pnt Seat (blk) |
| 12 | 174648 | Bracket Pnt Mounting Switch |
| 13 | 121248X | Bushing Snap Blk Nyl 50 Id |

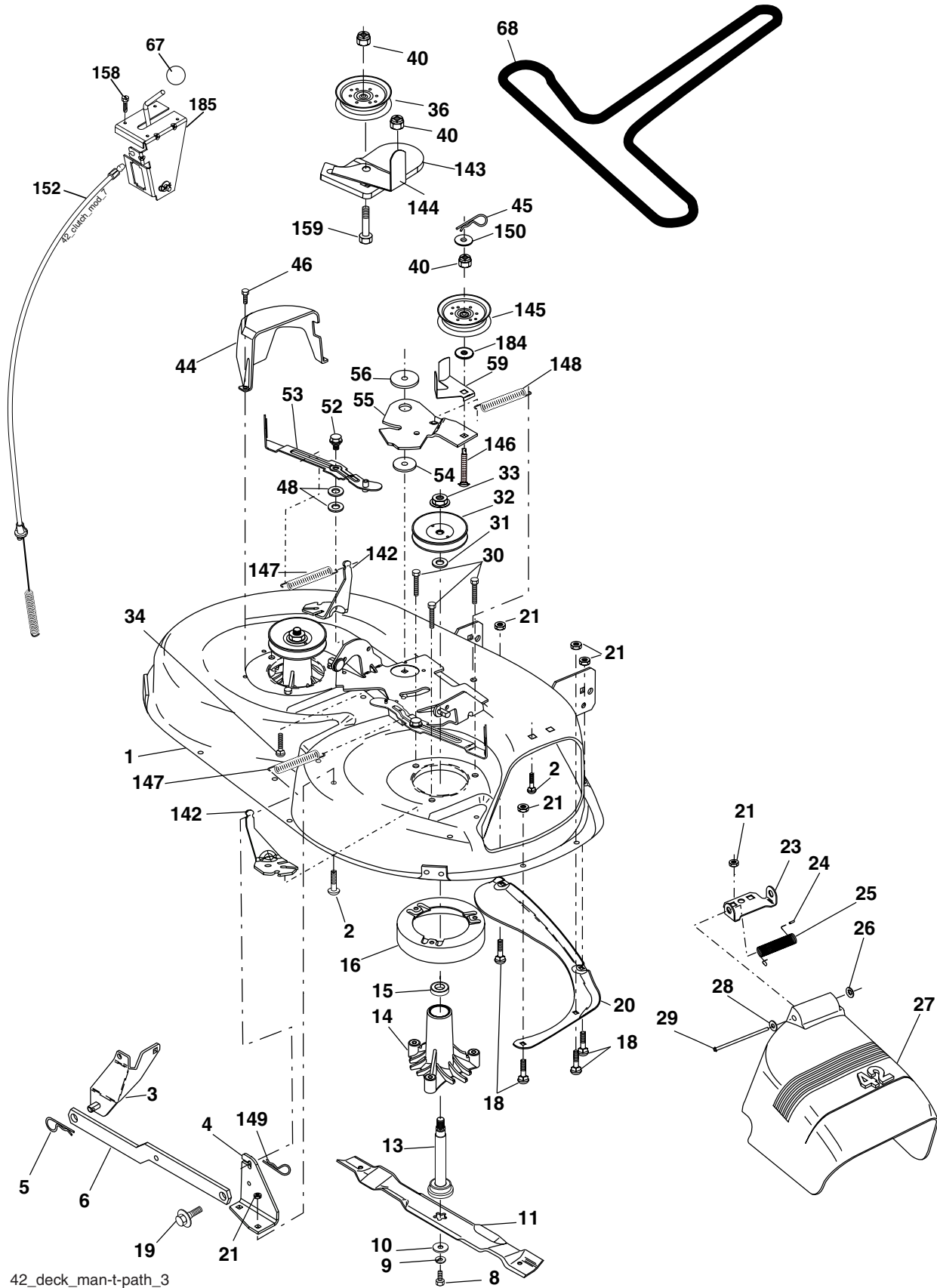
| KEY NO. | PART NO. | DESCRIPTION |
|---------|----------|-----------------------------------|
| 14 | 72050412 | Bolt Rdhd Sht Nk 1/4-20 x 1-1/2 |
| 15 | 134300 | Spacer Split 28 x 96 Yel Zinc |
| 16 | 121250X | Spring Cprsn 1 27 Blk Pnt |
| 17 | 123976X | Nut Lock 1/4 Lge Fig Gr. 5 Zinc |
| 21 | 171852 | Bolt Shoulder 5/16-18 unc Blkz-2A |
| 22 | 73800500 | Nut |
| 23 | 71110814 | Bolt Hex Black |
| 24 | 19171912 | Washer 17/32 x 1-3/16 x 12 Ga. |
| 25 | 127018X | Bolt Shoulder 5/16-18 x 62 |
| 26 | 10040800 | Lockwasher |

NOTE: All component dimensions given in U.S. inches
1 inch = 25.4 mm

REPAIR PARTS

TRACTOR -- MODEL NUMBER PO175H42ST (96017000100)

MOWER DECK



42_deck_man-t-path_3

REPAIR PARTS

TRACTOR - - MODEL NUMBER PO175H42ST (96017000100)

MOWER DECK

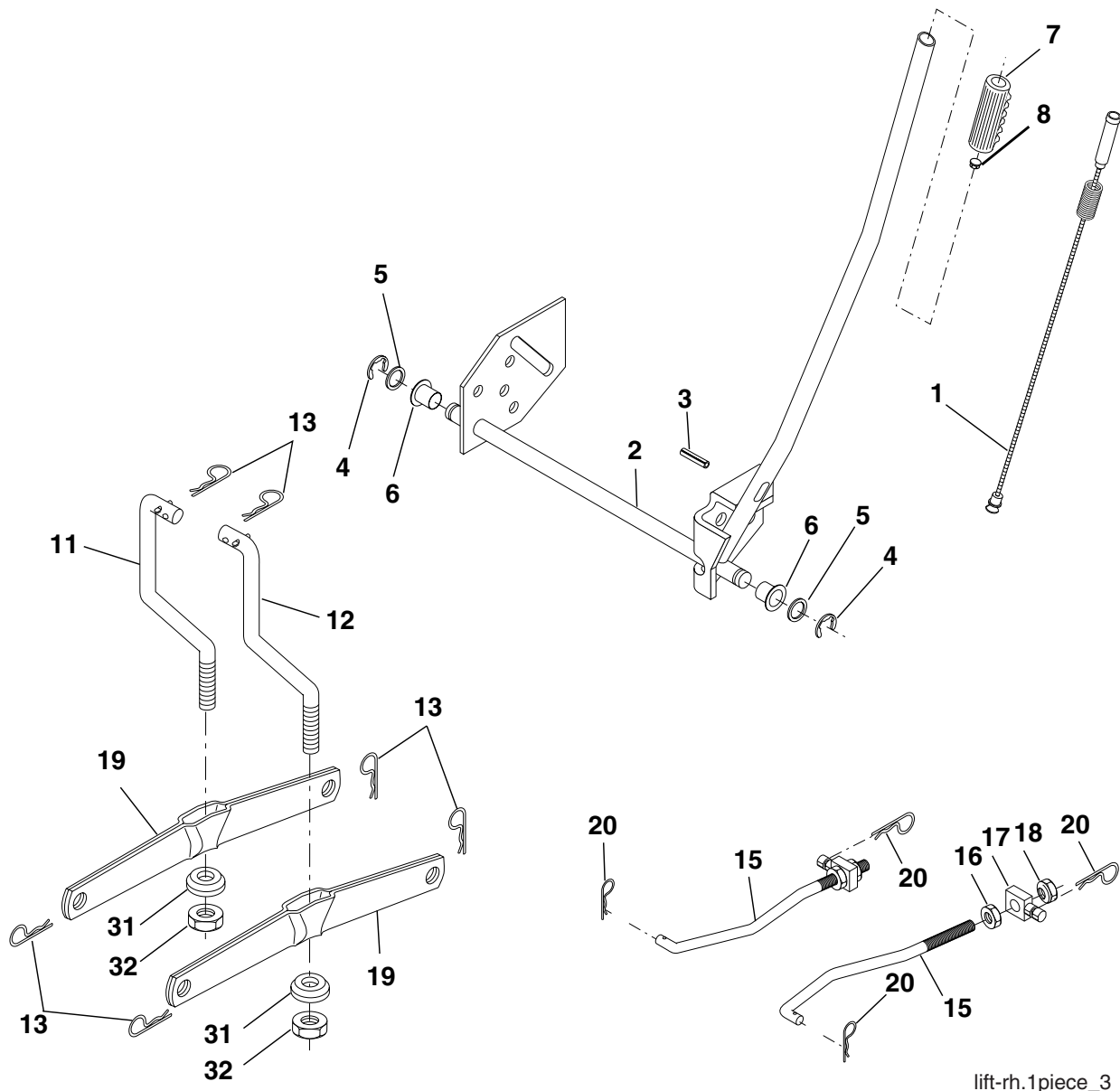
| KEY NO. | PART NO. | DESCRIPTION | KEY NO. | PART NO. | DESCRIPTION |
|---------|------------|--------------------------------------|---------|----------|--|
| 1 | 165892 | Mower Deck Assembly, 42" | 36 | 131494 | Pulley, Idler, Flat |
| 2 | 72140506 | Bolt | 40 | 73900600 | Nut |
| 3 | 138017 | Bracket Asm Fr. Sway Bar 3/42 | 44 | 140088 | Guard, Mandrel, LH |
| 4 | 165460 | Bracket Asm Deck 42" Sway Bar | 45 | 4497H | Retainer |
| 5 | 4939M | Retainer Spring | 46 | 137729 | Screw, Thdrol 1/4-20 x 5/8 T |
| 6 | 178024 | Bar Sway Deck | 48 | 133944 | Washer, Hardened |
| 8 | 850857 | Bolt 3/8-24 x 25 Gr. 8 patched | 52 | 139888 | Bolt, Shoulder 5/16-18 unc |
| 9 | 10030600 | Washer, Lock | 53 | 184907 | Arm Assembly, Pad, Brake |
| 10 | 140296 | Washer, Hardened | 54 | 178515 | Washer, Hardened |
| | | (The following blades are available) | 55 | 155046 | Arm, Idler |
| 11 | 138971 | Blade, 42" Hi-Lift | 56 | 165723 | Spacer, Retainer |
| | | (For bagging or discharging) | 59 | 141043 | Guard TUV Idler |
| -- | 134149 | Blade, 42" Mulching Std | 67 | 106932X | Knob |
| | | (For mulching mowers only) | 68 | 144959 | V-Belt, 42" Mower |
| -- | 139775 | Blade, 42" Mulching Premium | 142 | 165890 | Arm Spring Brake Mower |
| | | (For better wear when mulching) | 143 | 157109 | Bracket Arm Idler 42" |
| 13 | 137645 | Shaft Assembly, Mandrel, Vented | 144 | 158634 | Keeper Belt 42" Clutch Cable |
| 14 | 128774 | Housing, Mandrel, Vented | 145 | 165888 | Pulley Idler Flat |
| 15 | 110485X | Bearing, Ball, Mandrel | 146 | 171977 | Bolt Carriage Idler |
| 16 | 174493 | Stripper, Mandrel Deck | 147 | 131335 | Spring Extension |
| 18 | 72140505 | Bolt, Carriage 5/16-18 x 5/8 | 148 | 169022 | Spring Return Idler |
| 19 | 132827 | Bolt, Shoulder | 149 | 165898 | Retainer Spring Yellow |
| 20 | 159770 | Baffle, Vortex | 150 | 19091210 | Washer 9/32 x 3/4 x 10 Ga. |
| 21 | 73680500 | Nut | 152 | 169676 | Clutch Cable 42" |
| 23 | 177563 | Bracket, Deflector Mower 42" | 158 | 17720408 | Screw Hex Thd Cut 1/4-20 x 1/2 |
| 24 | 105304X | Cap, Sleeve 80 x 112 Blk Mower | 159 | 72140614 | Bolt Rdhd Sqn 3/8-16 unc x 1-3/4 |
| 25 | 123713X | Spring, Torsion, Deflector 2 52 | 184 | 19131410 | Washer 13/32 x 7/8 x 10 Ga. |
| 26 | 110452X | Nut, Push Phos & Oil | 185 | 188234 | Head Asm Cable Clutch |
| 27 | 130968X428 | Shield, Deflector 42" Blk | -- | 130794 | Mandrel Assembly (Includes Housing, Shaft and Shaft Hardware Only-Pulley Not Included) |
| 28 | 19111016 | Washer 11/32 x 5/8 x 16 Ga. | | | Replacement Mower, Complete |
| 29 | 131491 | Rod, Hinge 42" 6 75 W/G | -- | 171639 | |
| 30 | 173984 | Screw Thdrol Washer Head | | | |
| 31 | 187690 | Washer, Spacer Mower Vented | | | |
| 32 | 153535 | Pulley, Mandrel | | | |
| 33 | 178342 | Nut, Toplock 9/16 Flange | | | |
| 34 | 72110612 | Bolt | | | |

NOTE: All component dimensions given in U.S. inches
1 inch = 25.4 mm

REPAIR PARTS

TRACTOR - - MODEL NUMBER PO175H42ST (96017000100)

MOWER LIFT



lift-rh.1piece_3

| KEY NO. | PART NO. | DESCRIPTION |
|---------|----------|-------------------------------|
| 1 | 159461 | Wire Asm Inner/Sprg w/Plunger |
| 2 | 159476 | Shaft Asm Lift |
| 3 | 188822 | Pin Groove |
| 4 | 12000002 | E Ring #5133-62 |
| 5 | 19211621 | Washer 21/32 x 1 x 21 Ga. |
| 6 | 120183X | Bearing Nylon |
| 7 | 109413X | Grip Handle |
| 8 | 124526X | Button Plunger |
| 11 | 139865 | Link Lift Lh |
| 12 | 139866 | Link Lift Rh |
| 13 | 4939M | Retainer Spring |

| KEY NO. | PART NO. | DESCRIPTION |
|---------|----------|---------------------------|
| 15 | 173288 | Link Front |
| 16 | 73350800 | Nut Jam Hex 1/2-13 unc |
| 17 | 175689 | Trunnion Blk Zinc |
| 18 | 73800800 | Nut Lock w/Wsh 1/2-13 unc |
| 19 | 139868 | Arm Suspension Rear |
| 20 | 163552 | Retainer Spring |
| 31 | 169865 | Bearing Pvt Lift |
| 32 | 73540600 | Nut Crownlock 3/8-24 |

NOTE: All component dimensions given in U.S. inches
1 inch = 25.4 mm