

ILLUSTRATED PARTS LIST

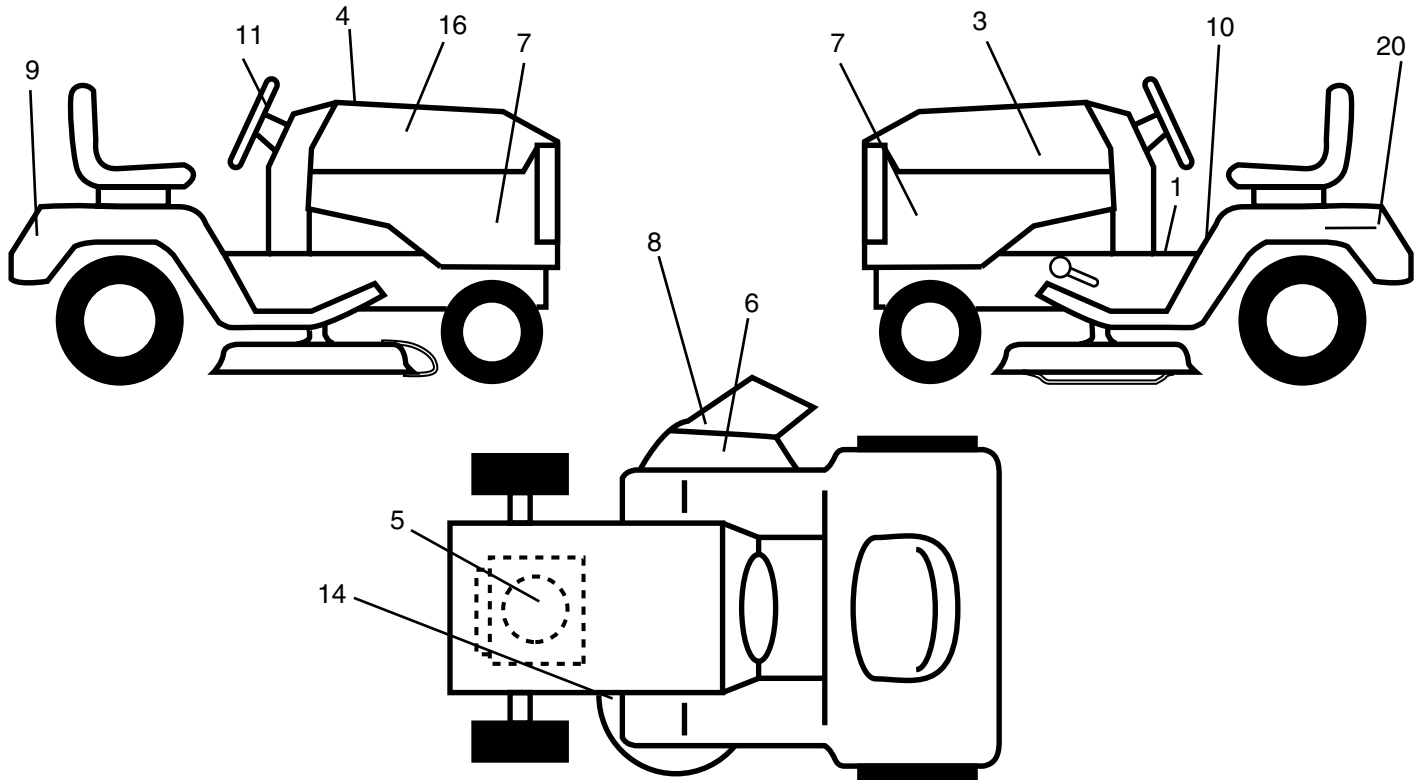
MODEL NO. 96017000100

CUSTOMER CATALOG NO. PO175H42ST

REPAIR PARTS

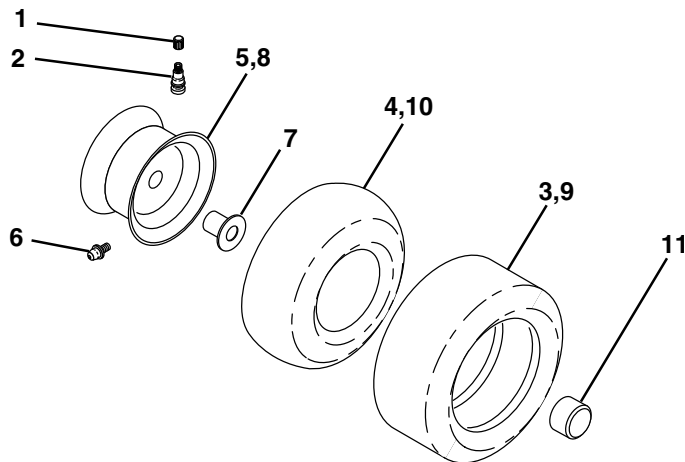
TRACTOR -- MODEL NUMBER PO175H42ST (96017000100)

DECALS



KEY NO.	PART NO.	DESCRIPTION	KEY NO.	PART NO.	DESCRIPTION
1	193939	Decal, Oper	10	157140	Decal, Fender Danger E/F
3	188978	Decal, Hood LH	11	189705	Decal, Ins Strg Whl
4	197068	Decal, Replace	14	160396	Decal, V-Belt Schematic
5	184774	Decal, HP Engine	16	188977	Decal, Hood Rh
6	179128	Decal, Deck "B" 42"	20	145005	Decal, Bat Dan/Psn
7	189710	Decal, Side Panel	--	138311	Decal, Handle Lft Height Adjust
8	170563	Decal, Warning Multi-Language	--	166960	Decal, Bypass
9	158166	Decal, Fender Logo	--	197022	Manual, Operator's E&F
			--	197023	Manual, Parts E&F

WHEELS & TIRES



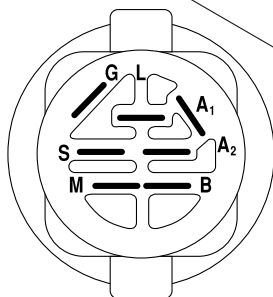
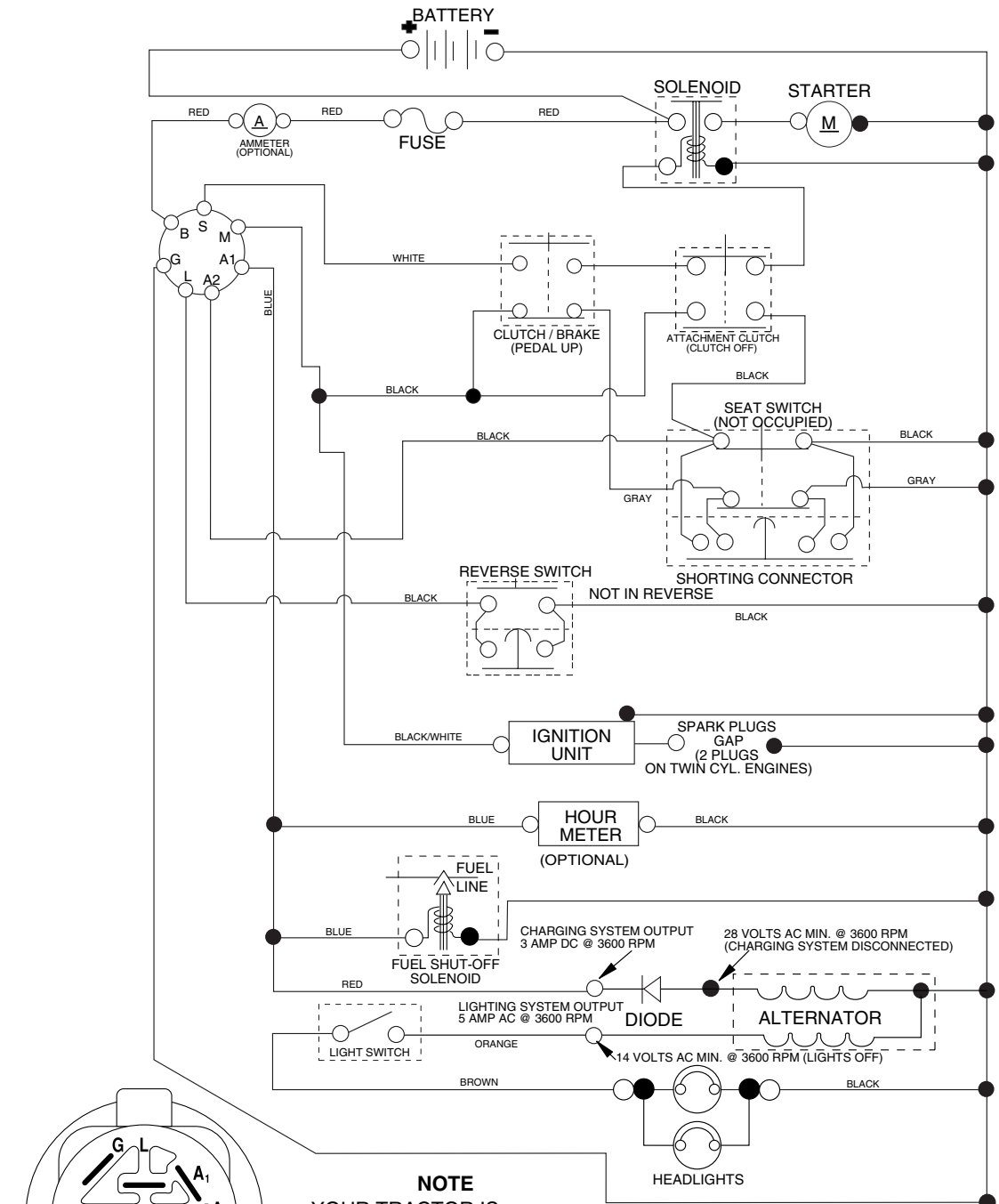
KEY NO.	PART NO.	DESCRIPTION
1	59192	Cap Valve Tire
2	65139	Stem Valve
3	106222X	Tire F Ts 15 x 6 0 - 6 Service
4	59904	Tube Front (Service Item Only)
5	106732X624	Rim Asm 6" front Service
6	278H	Fitting Grease (Front Wheel Only)
7	9040H	Bearing Flange (Front Wheel Only)
8	106108X624	Rim Asm 8" rear Service
9	106268X	Tire R Ts 18 x 9.5-8 Service
10	7152J	Tube Rear (Service Item Only)
11	104757X428	Cap Axle 1 50 x 1 00
--	144334	Sealant, Tire (10 oz. Tube)

NOTE: All component dimensions given in U.S. inches
1 inch = 25.4 mm

REPAIR PARTS

TRACTOR - - MODEL NUMBER PO175H42ST (96017000100)

SCHEMATIC



IGNITION SWITCH

POSITION	CIRCUIT	"MAKE"
OFF	M+G+A1	
RUN/OVERRIDE	B+A1	
RUN	B+A1	L+A2
START	B + S + A1	

02836

NOTE

YOUR TRACTOR IS EQUIPPED WITH A SPECIAL ALTERNATOR SYSTEM. THE LIGHTS ARE NOT CONNECTED TO THE BATTERY, BUT HAVE THEIR OWN ELECTRICAL SOURCE. BECAUSE OF THIS, THE BRIGHTNESS OF THE LIGHTS WILL CHANGE WITH ENGINE SPEED. AT IDLE THE LIGHTS WILL DIM. AS THE ENGINE IS SPEEDED UP, THE LIGHTS WILL BECOME THEIR BRIGHTEST.

●
NON-REMOVABLE CONNECTIONS

○
REMOVABLE CONNECTIONS

WIRING INSULATED CLIPS

NOTE: IF WIRING INSULATED CLIPS WERE REMOVED FOR SERVICING OF UNIT, THEY SHOULD BE REPLACED TO PROPERLY SECURE YOUR WIRING.

REPAIR PARTS

TRACTOR - - MODEL NUMBER PO175H42ST (96017000100)

ELECTRICAL

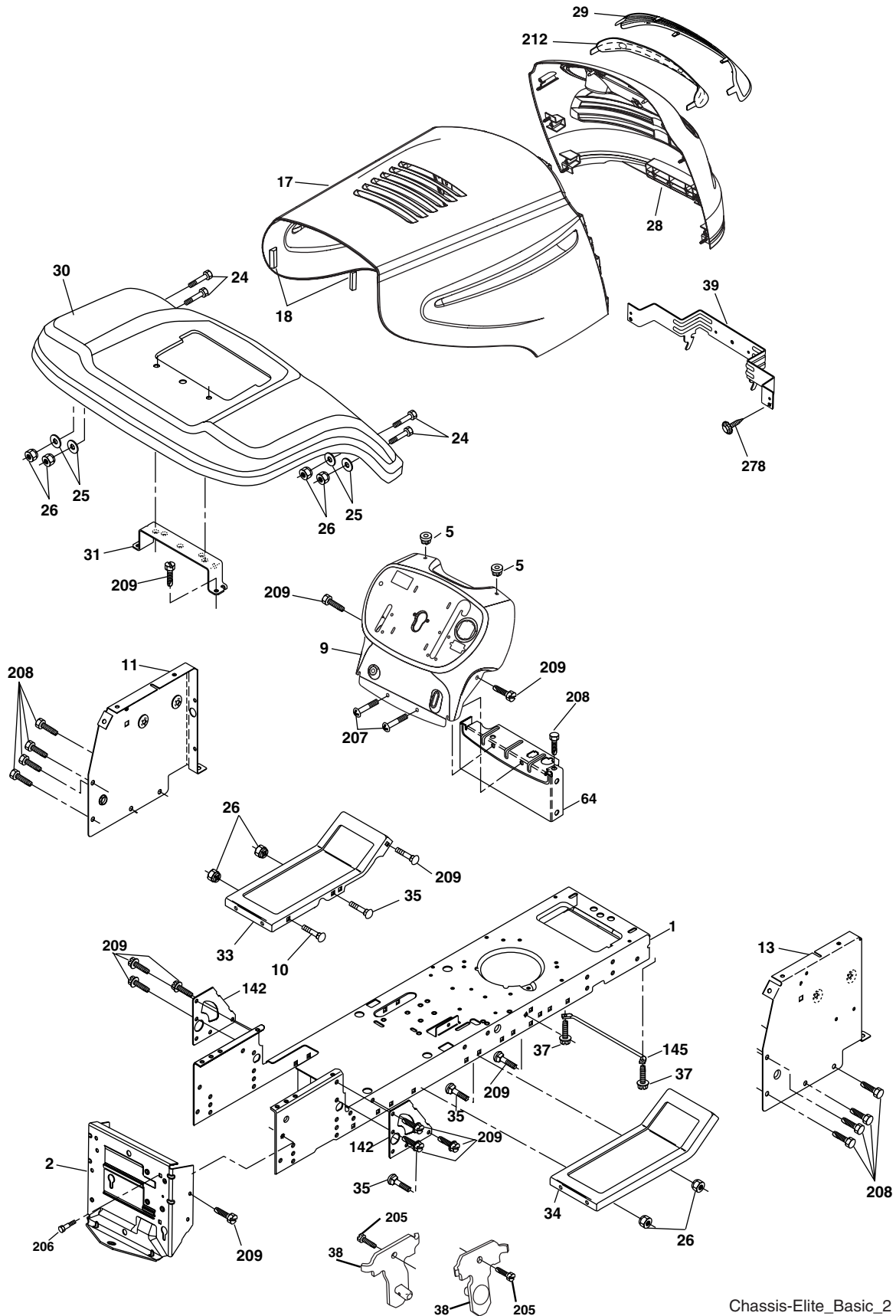
KEY NO.	PART NO.	DESCRIPTION
1	163465	Battery 12 Volt 25 Amp
2	74760412	Bolt Hex Hd 1/4-20 unc x 3/4
8	176689	Box Battery
16	176138	Switch Interlock Push -In
21	183759	Harness Asm Light W/4152J
22	4152J	Bulb Light #1156
24	4799J	Cable Battery 6 Ga. 11"red
25	146147	Cable Battery 6 Ga. w/16 wire,red
26	175158	Fuse 20 AMP
27	73510400	Nut Keps Hex 1/4-20 unc
28	4207J	Cable Ground 6 Ga. 12" black
29	192749	Switch Seat
30	193350	Switch Ign
33	140401	Key Ign
34	110712X	Switch Light/Reset
40	193374	Harness Ign
41	71110408	Bolt Blk Fin Hex 1/4-20 x 1/2
42	131563	Cover Terminal Red
43	192507	Solenoid
45	121433X	Ammeter
52	141940	Protection Wire Loop
90	180449	Cover Terminal
92	193465	Harness Pigtail
93	192540	Screw Plastite 10-14 x 2.0
94	191834	Module Reverse

NOTE: All component dimensions give in U.S. inches
1 inch = 25.4 mm.

REPAIR PARTS

TRACTOR - - MODEL NUMBER PO175H42ST (96017000100)

CHASSIS AND ENCLOSURES



REPAIR PARTS

TRACTOR - - MODEL NUMBER PO175H42ST (96017000100) CHASSIS AND ENCLOSURES

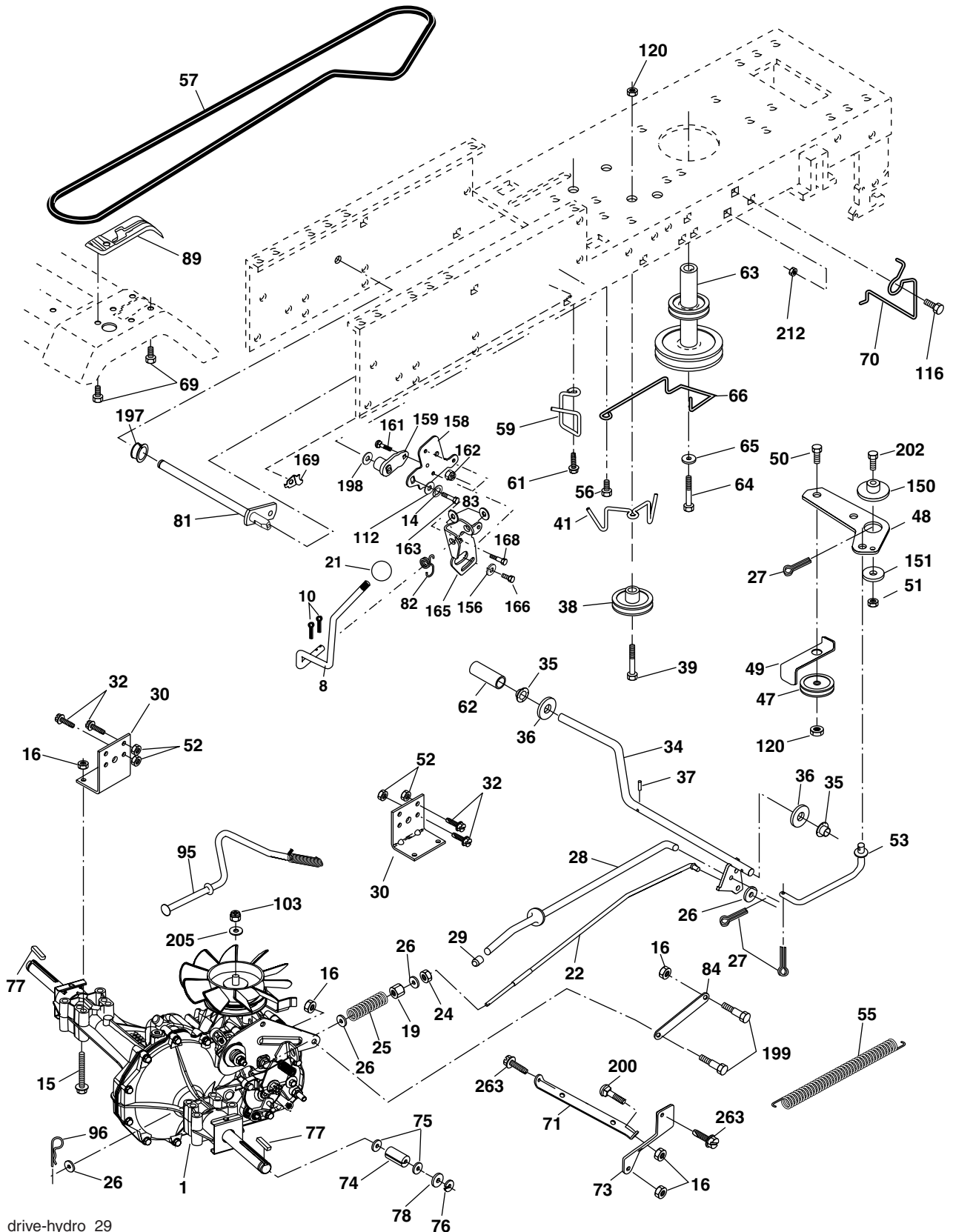
KEY NO.	PART NO.	DESCRIPTION
1	174619	Chassis
2	176554	Drawbar
5	155272	Bumper Hood/Dash
9	193511X012	Dash
10	72140608	Bolt Carriage 3/8-16 x 1
11	174996	Panel Dash Lh
13	179174X010	Panel Dash Rh
17	183394X428	Hood
18	184921	Bumper Hood
24	74780616	Bolt Fin Hex 3/8-16 x 1 Gr. 5
25	19131312	Washer 13/32 x 13/16 x 12 Ga.
26	73800600	Nut Lock Hex W/Ins 3/8-16 unc
28	183826	Grille Assembly (Includes key nos. 29 and 212)
29	183824X599	Lens
30	192526X428	Fender Footrest STLT Pnt
31	136619	Bracket Support Fender
33	179716X428	Footrest Pnt Lh
34	179717X428	Footrest Pnt Rh
35	72110606	Bolt Rdhd Sht Sqnk 3/8-16 x 3/4
37	17490508	Screw Thdrol 6/16-18 x 1/2 TYT
38	175710	Bracket Asm. Pivot Mower Rear
39	174714	Bracket Pivot
64	154798	Dash Lower STLT
142	175702	Plate Reinforcement STLT
145	156524	Rod Pivot Chassis/Hood
205	17490608	Screw Thdrol 3/8-16 x 1-1/4
206	170165	Bolt Shoulder 5/16-18
207	17670508	Screw Thdrol 5/16-18 x 1/2
208	17670608	Screw Thdrol 3/8-16 x 1/2
209	17000612	Screw Hex Wsh Thdr. 3/8-16 x 3/4
212	183823	Insert Lens Reflect
278	191611	Screw 10 x 3/4 Single Lead-Hex
--	5479J	Plug Btn Blk .359
--	187801	Plug Dome

NOTE: All component dimensions given in U.S. inches
1 inch = 25.4 mm

REPAIR PARTS

TRACTOR -- MODEL NUMBER PO175H42ST (96017000100)

DRIVE



drive-hydro_29

REPAIR PARTS

TRACTOR - - MODEL NUMBER PO175H42ST (96017000100)

DRIVE

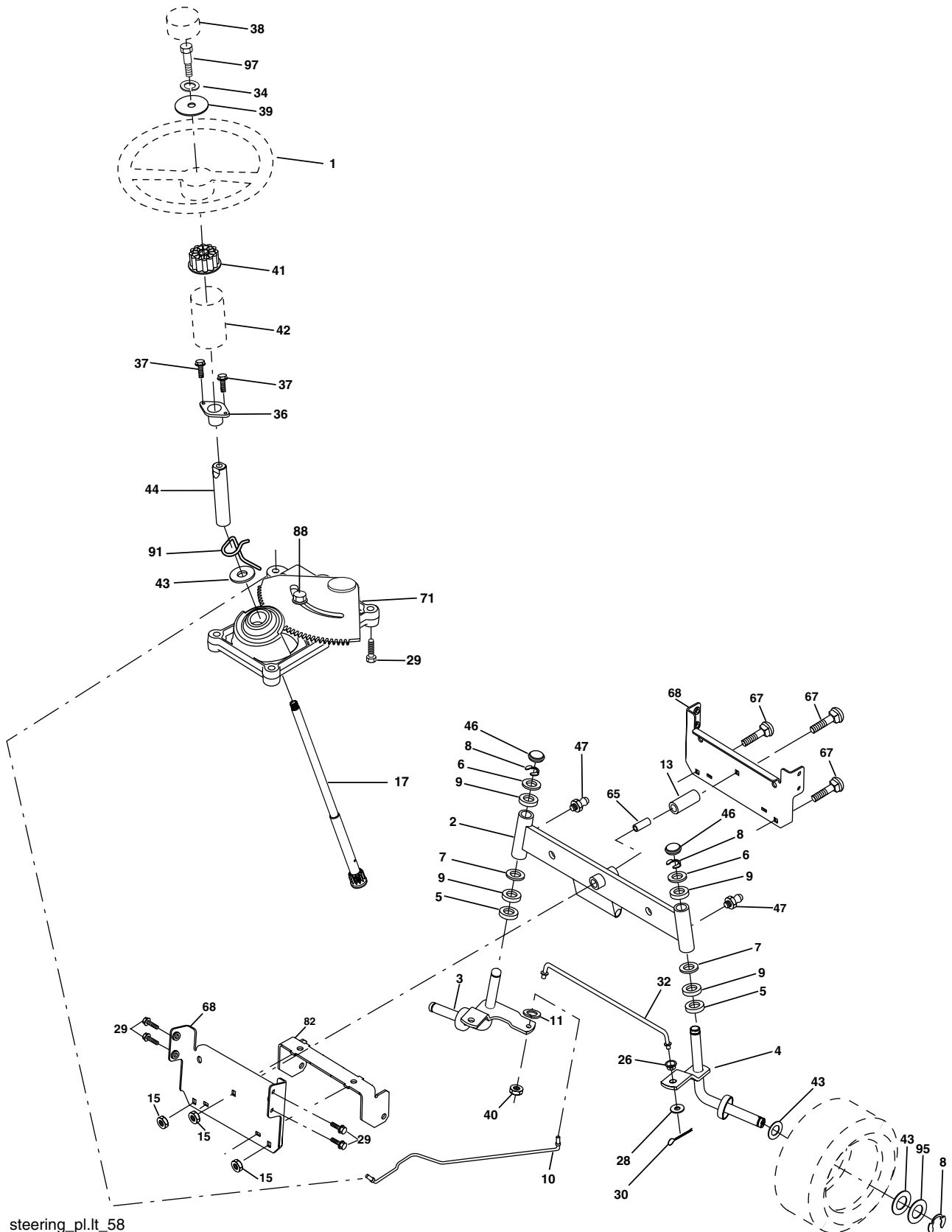
KEY NO.	PART NO.	DESCRIPTION	KEY NO.	PART NO.	DESCRIPTION
1	-----	Transaxle Hydro Gear Model 322-0510 (Order parts from transaxle manufacturer)	69	142432	Screw Hex wsh HiLo 1/4 x 1/2 unc
8	192706	Rod Shift	70	134683	Guide Belt Mower Drive RH
10	76020416	Pin Cotter 1/8 X 1	71	169183	Strap Torque, LH
14	10040400	Washer Lock 1/4	73	169182	Strap Torque, RH
15	74490544	Bolt Hex FLGHD 5/16-18 Gr. 5 unc	74	137057	Spacer Axle
16	73800500	Nut Lock Hex w/ins 5/16-18 unc	75	121749X	Washer 25/32 x 1 1/4 x 16 Ga.
19	73800600	Nut Lock Hex w/wsh 3/8-16 unc	76	12000001	Ring, E
21	106933X	Knob Rd 1/2-13 Plasc Thds Blk	77	123583X	Key Square
22	169498	Rod Brake	78	121748X	Washer 25/32 x 1-5/8 x 16 Ga.
24	73350600	Nut	81	165596	Shaft Asm Cross
25	106888X	Spring Rod Brake	82	165711	Spring Torsion
26	19131316	Washer 13/32 x 13/16 x 16 Ga.	83	19171216	Washer 17/32 x 3/4 x 16 Ga.
27	76020412	Pin Cotter 1/8 x 3/4	84	169843	Link Transaxle
28	175765	Rod Brake Parking	89	192056X428	Console Shift
29	71673	Cap Brake Parking	95	170201	Control Asm Bypass Hydro
30	174973	Bracket Transmission	96	4497H	Retainer Spring 1"
32	74760512	Bolt Hex Hd 5/16-18 unc x 3/4	103	73940800	Nut, Hex Jam Top Lock 1/2-20 unf
34	175578	Shaft Foot Pedal	112	19091210	Washer 9/32 x 3/4 x 10 Ga.
35	120183X	Bearing Nylon	116	72140608	Bolt 3/8-16 x 1
36	19211616	Washer	120	73900600	Bolt Hex 3/8-16 x 1-1/2
37	1572H	Pin Roll	150	175456	Spacer Retainer
38	179114	Pulley Idler Composite	151	19133210	Washer 13/32 x 2 x 10
39	72110622	Bolt	156	166002	Washer 5/16 x 1.0 x 1.25
41	175556	Keeper Belt Idler	158	165589	Bracket Shift Mount
47	127783	Pulley Idler V-Belt	159	183900	Hub Tapered Flange Shift
48	154407	Bellcrank Clutch Grnd Drustl	161	72140406	Bolt Rdhd Sqnk 1/4-20 x 3/4 Gr. 5
49	123205X	Retainer Belt	162	73680400	Nut Crownlock 1/4-20 unc
50	72110612	Bolt Carr. Sh. 3/8-16 x 1-1/2 Gr. 5	163	74780416	Bolt Hex Fin 1/4-20 x 1
51	73680600	Nut	165	165623	Bracket Pivot Lever
52	73680500	Nut Crownlock 5/16-28	166	17490510	Screw 5/16-18 x 1.0 x .125
53	105710X	Link Clutch	168	165492	Bolt Shoulder 5/16-18 x .561
55	105709X	Spring Return Clutch	169	165580	Plate Fastening
56	17060620	Screw 3/8-16 x 1-1/4	197	169613	Nyliner Snap-In 5/8
57	140294	V-Belt Drive	198	169593	Washer Nyliner 7/8 ID x .105 HYD
59	169691	Keeper Belt Center	199	169612	Bolt Shoulder 5/16-18 unc
61	17120614	Screw 3/8-16 x .875	200	72140508	Bolt Rdhd Sqnk 5/16-18 unc x 1
62	8883R	Cover Pedal	202	72110614	Bolt RdHd 3/8-16 unc x 1-1/2 Gr. 5
63	175410	Engine Pulley	205	19171616	Washer 17/32 x 1 x 16 Ga.
64	173937	Bolt Hex 7/16-20 x 4 x Gr. 5-1.5 THr.	212	145212	Nut Hex flange Lock
65	10040700	Washer	263	17000612	Screw 3/8-16 x .75
66	154778	Keeper Belt Engine Hydro			

NOTE: All component dimensions given in U.S. inches
1 inch = 25.4 mm

REPAIR PARTS

TRACTOR -- MODEL NUMBER PO175H42ST (96017000100)

STEERING ASSEMBLY



steering_pl.it_58

REPAIR PARTS

TRACTOR - - MODEL NUMBER PO175H42ST (96017000100) STEERING ASSEMBLY

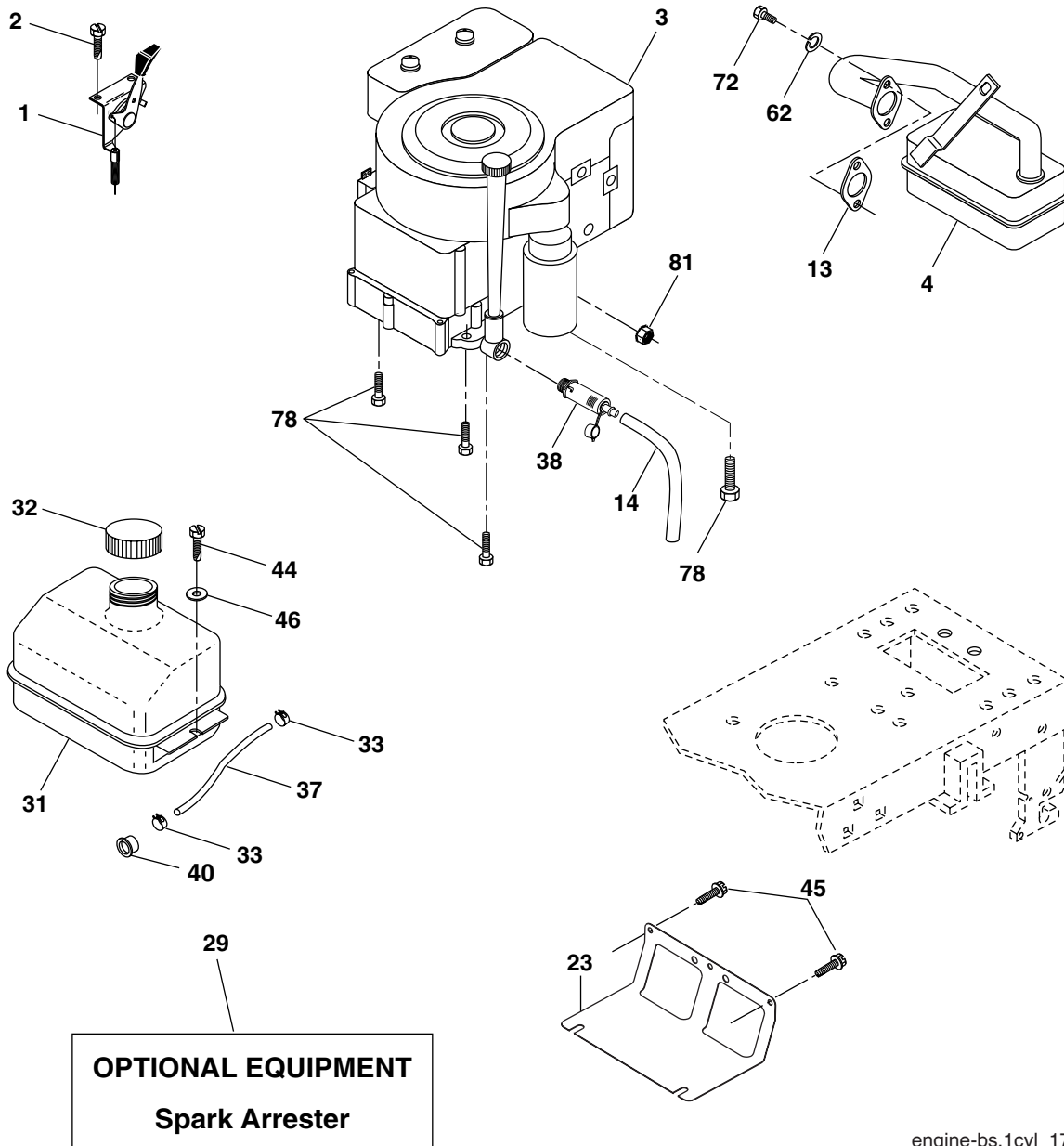
KEY NO.	PART NO.	DESCRIPTION
1	186780	Wheel Steering
2	175131	Axle Asm Front
3	169840	Spindle Asm Lh
4	169839	Spindle Asm Rh
5	6266H	Bearing Race Thrust Harden
6	121748X	Washer 25/32 x 1 5/8 x 16 Ga.
7	19272016	Washer 27/32 x 1 1/4 x 16 Ga.
8	12000029	Ring Klip #t5304-75
9	3366R	Bearing Col Strg Blk
10	175121	Link Drag Extended
11	10040600	Lockwasher
13	136518	Spacer Bearing Axle Front
15	145212	Hex Flange Lock
17	190753	Shaft Asm Strg
26	126847X	Bushing Rod Tie Blk Lt
28	19131416	Washer 13/32 x 7/8 x 16 Ga.
29	17000612	Screw 3/8-16 x 3/4
30	76020412	Pin
32	192757	Rod Tie Wire Form
34	10040500	Washer Lock Hvy Hlcl Spr. 5/16
36	155099	Bushing Strg 5/8 Id Dash
37	152927	Screw TT #10-32 x 5 x 3/8 Flange
38	192916	Insert Cap Strg
39	19113812	Washer 11/32 ID x 2-3/8 OD 12 Gr.
40	73540600	Nut Crownlock
41	186737	Adaptor Wheel Strg .760
42	145054X428	Boot Dash Steering
43	121749X	Washer 25/32 x 1 1/4 x 16 Ga.
44	190752	Extension Steering
46	121232X	Cap Spindle Fr Top Blk
47	183226	Fitting Grease
65	160367	Spacer Brace Axle
67	72110618	Bolt Rdhd Sq 3/8-16 unc x 2-1/4
68	169827	Brace Axle
71	175146	Steering Asm
82	169835	Bracket Susp Chassis Front
88	175118	Bolt Shoulder 7/16-20
91	175553	Clip Steering
95	188967	Washer Hardened
97	74780564	Bolt 5/16-18 unc x 4" L Gr. 5

NOTE: All component dimensions given in U.S. inches
1 inch = 25.4 mm

REPAIR PARTS

TRACTOR - - MODEL NUMBER PO175H42ST (96017000100)

ENGINE



engine-bs.1cyl_17

KEY NO.	PART NO.	DESCRIPTION
1	170551	Control Throttle /Choke Flag
2	17720408	Screw Hex Thd Cut 1/4-20 x 1/2
3	-----	Engine Briggs Model 31C707 (Order Parts From Engine Manufacturer)
4	137352	Muffler Exhaust B&S Lt
13	165291	Gasket 1 313 Id Tin Plated
14	148456	Tube Drain Oil Easy
23	169837	Shield Browning/Debris Guard
29	137180	Arrestor Spark
31	187750	Tank Fuel 1 25 Fr
32	140527	Cap Asm Fuel W/sym Vented
33	123487X	Clamp Hose Blk
37	137040	Line Fuel 20"
38	181654	Plug Drain Oil Easy
40	124028X	Bushing Snap Nyl Blk Fuel Line
44	17670412	Screw Hexwsh Thdrol 1/4-20 x 3/4

KEY NO.	PART NO.	DESCRIPTION
45	17000612	Screw Hex Wsh Thdrol 3/8-16
46	19091416	Washer 9/32 X 7/8 X 16 Ga.
62	10010500	Washer Split
72	71070512	Screw Hex Hd Cap 5/16-18 x 3/4
78	17060620	Screw Thdrol 3/8-16 x 1-1/4
81	73510400	Nut Keps Hex 1/4-20 unc

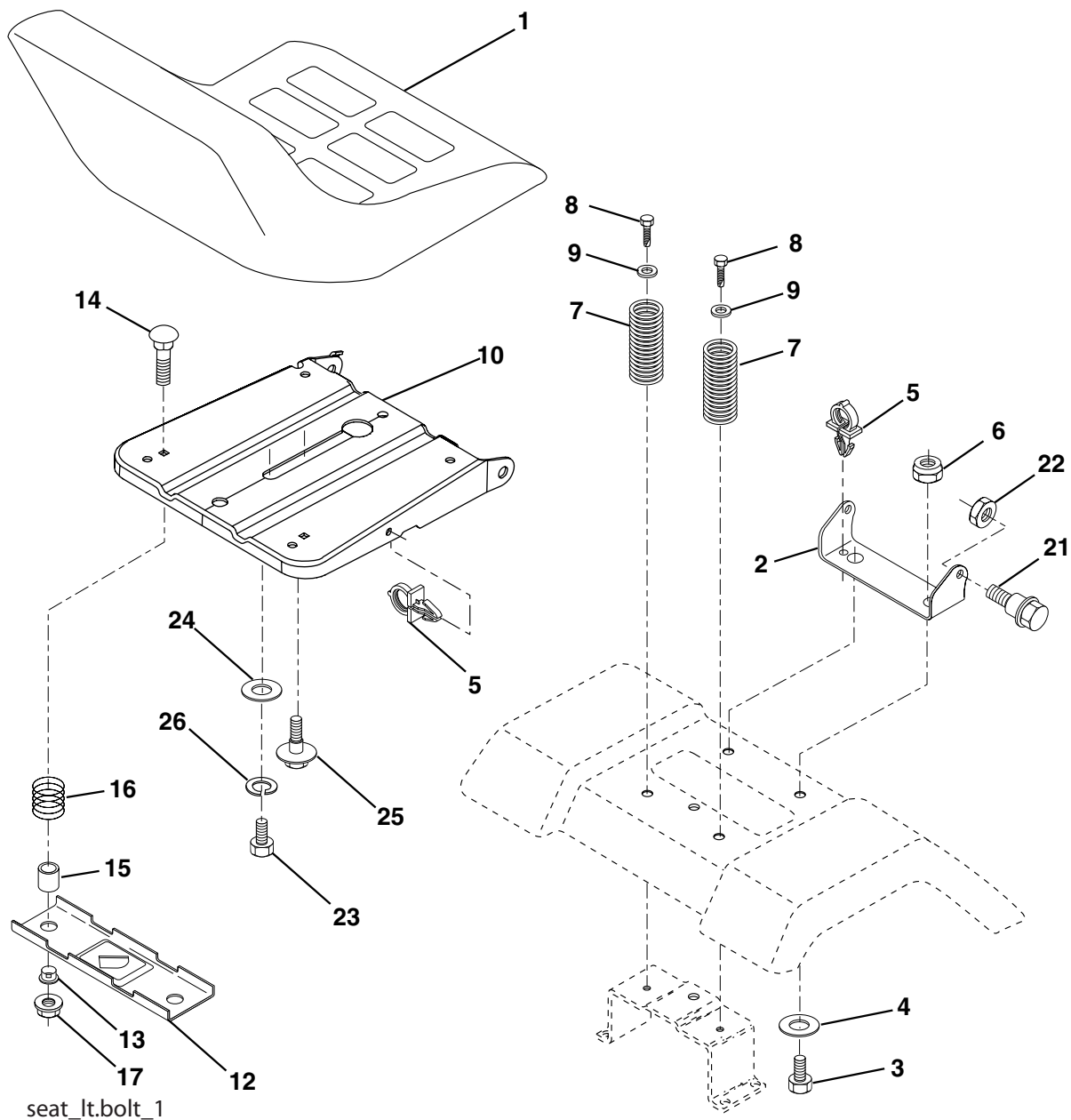
NOTE: All component dimensions given in U.S. inches
1 inch = 25.4 mm
For engine service and replacement parts, call the toll free number for your engine manufacturer listed below:

Briggs & Stratton	1-800-233-3723
Kohler Co.	1-800-544-2444
Tecumseh Products	1-800-558-5402
Honda Engines	1-800-426-7701
Kawasaki	1-800-460-5688

REPAIR PARTS

TRACTOR - - MODEL NUMBER PO175H42ST (96017000100)

SEAT ASSEMBLY



KEY NO.	PART NO.	DESCRIPTION
1	175389	Seat
2	140551	Bracket Pnt Pivot Seat (blk)
3	71110616	Bolt
4	19131610	Washer 13/32 x 1 x 10 Ga.
5	145006	Clip Push-In Hinged
6	73800600	Nut
7	124181X	Spring Seat Cprsn 2 250 Blk Zi
8	17000616	Screw 3/8-16 x 1.5
9	19131614	Washer 13/32 x 1 x 14 Ga.
10	182493	Pan Pnt Seat (blk)
12	174648	Bracket Pnt Mounting Switch
13	121248X	Bushing Snap Blk Nyl 50 Id

KEY NO.	PART NO.	DESCRIPTION
14	72050412	Bolt Rdhd Sht Nk 1/4-20 x 1-1/2
15	134300	Spacer Split 28 x 96 Yel Zinc
16	121250X	Spring Cprsn 1 27 Blk Pnt
17	123976X	Nut Lock 1/4 Lge Fig Gr. 5 Zinc
21	171852	Bolt Shoulder 5/16-18 unc Blkz-2A
22	73800500	Nut
23	71110814	Bolt Hex Black
24	19171912	Washer 17/32 x 1-3/16 x 12 Ga.
25	127018X	Bolt Shoulder 5/16-18 x 62
26	10040800	Lockwasher

NOTE: All component dimensions given in U.S. inches
1 inch = 25.4 mm

REPAIR PARTS

TRACTOR - - MODEL NUMBER PO175H42ST (96017000100)

MOWER DECK

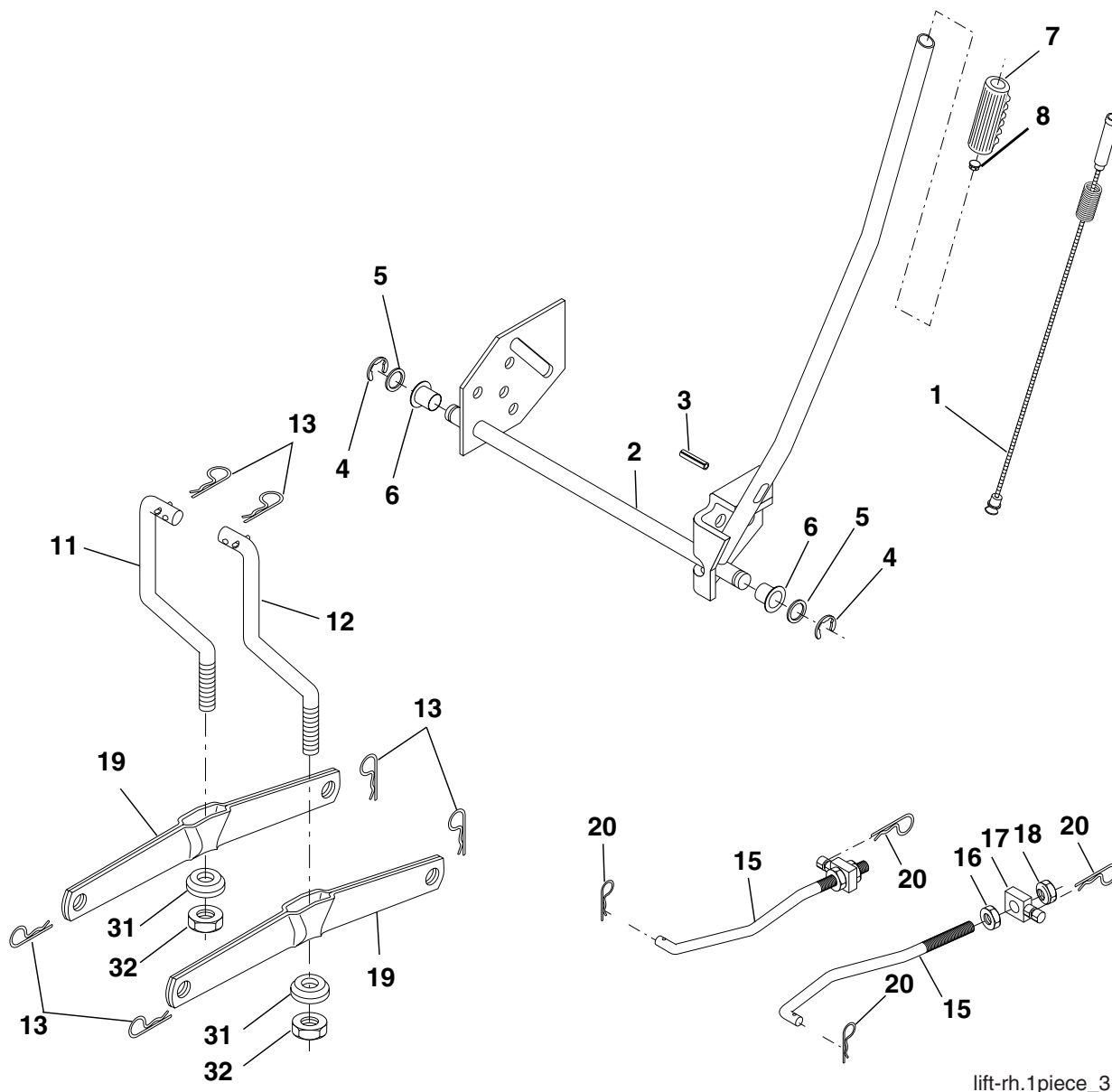
KEY NO.	PART NO.	DESCRIPTION	KEY NO.	PART NO.	DESCRIPTION
1	165892	Mower Deck Assembly, 42"	36	131494	Pulley, Idler, Flat
2	72140506	Bolt	40	73900600	Nut
3	138017	Bracket Asm Fr. Sway Bar 3/42	44	140088	Guard, Mandrel, LH
4	165460	Bracket Asm Deck 42" Sway Bar	45	4497H	Retainer
5	4939M	Retainer Spring	46	137729	Screw, Thdrol 1/4-20 x 5/8 T
6	178024	Bar Sway Deck	48	133944	Washer, Hardened
8	850857	Bolt 3/8-24 x 25 Gr. 8 patched	52	139888	Bolt, Shoulder 5/16-18 unc
9	10030600	Washer, Lock	53	184907	Arm Assembly, Pad, Brake
10	140296	Washer, Hardened	54	178515	Washer, Hardened
		(The following blades are available)	55	155046	Arm, Idler
11	138971	Blade, 42" Hi-Lift	56	165723	Spacer, Retainer
		(For bagging or discharging)	59	141043	Guard TUV Idler
--	134149	Blade, 42" Mulching Std	67	106932X	Knob
		(For mulching mowers only)	68	144959	V-Belt, 42" Mower
--	139775	Blade, 42" Mulching Premium	142	165890	Arm Spring Brake Mower
		(For better wear when mulching)	143	157109	Bracket Arm Idler 42"
13	137645	Shaft Assembly, Mandrel, Vented	144	158634	Keeper Belt 42" Clutch Cable
14	128774	Housing, Mandrel, Vented	145	165888	Pulley Idler Flat
15	110485X	Bearing, Ball, Mandrel	146	171977	Bolt Carriage Idler
16	174493	Stripper, Mandrel Deck	147	131335	Spring Extension
18	72140505	Bolt, Carriage 5/16-18 x 5/8	148	169022	Spring Return Idler
19	132827	Bolt, Shoulder	149	165898	Retainer Spring Yellow
20	159770	Baffle, Vortex	150	19091210	Washer 9/32 x 3/4 x 10 Ga.
21	73680500	Nut	152	169676	Clutch Cable 42"
23	177563	Bracket, Deflector Mower 42"	158	17720408	Screw Hex Thd Cut 1/4-20 x 1/2
24	105304X	Cap, Sleeve 80 x 112 Blk Mower	159	72140614	Bolt Rdhd Sqn 3/8-16 unc x 1-3/4
25	123713X	Spring, Torsion, Deflector 2 52	184	19131410	Washer 13/32 x 7/8 x 10 Ga.
26	110452X	Nut, Push Phos & Oil	185	188234	Head Asm Cable Clutch
27	130968X428	Shield, Deflector 42" Blk	--	130794	Mandrel Assembly (Includes Hous- ing, Shaft and Shaft Hardware Only-Pulley Not Included)
28	19111016	Washer 11/32 x 5/8 x 16 Ga.			Replacement Mower, Complete
29	131491	Rod, Hinge 42" 6 75 W/G	--	171639	
30	173984	Screw Thdrol Washer Head			
31	187690	Washer, Spacer Mower Vented			
32	153535	Pulley, Mandrel			
33	178342	Nut, Toplock 9/16 Flange			
34	72110612	Bolt			

NOTE: All component dimensions given in U.S. inches
1 inch = 25.4 mm

REPAIR PARTS

TRACTOR - - MODEL NUMBER PO175H42ST (96017000100)

MOWER LIFT



KEY NO.	PART NO.	DESCRIPTION
1	159461	Wire Asm Inner/Sprg w/Plunger
2	159476	Shaft Asm Lift
3	188822	Pin Groove
4	12000002	E Ring #5133-62
5	19211621	Washer 21/32 x 1 x 21 Ga.
6	120183X	Bearing Nylon
7	109413X	Grip Handle
8	124526X	Button Plunger
11	139865	Link Lift Lh
12	139866	Link Lift Rh
13	4939M	Retainer Spring

KEY NO.	PART NO.	DESCRIPTION
15	173288	Link Front
16	73350800	Nut Jam Hex 1/2-13 unc
17	175689	Trunnion Blk Zinc
18	73800800	Nut Lock w/Wsh 1/2-13 unc
19	139868	Arm Suspension Rear
20	163552	Retainer Spring
31	169865	Bearing Pvt Lift
32	73540600	Nut Crownlock 3/8-24

NOTE: All component dimensions given in U.S. inches
1 inch = 25.4 mm