

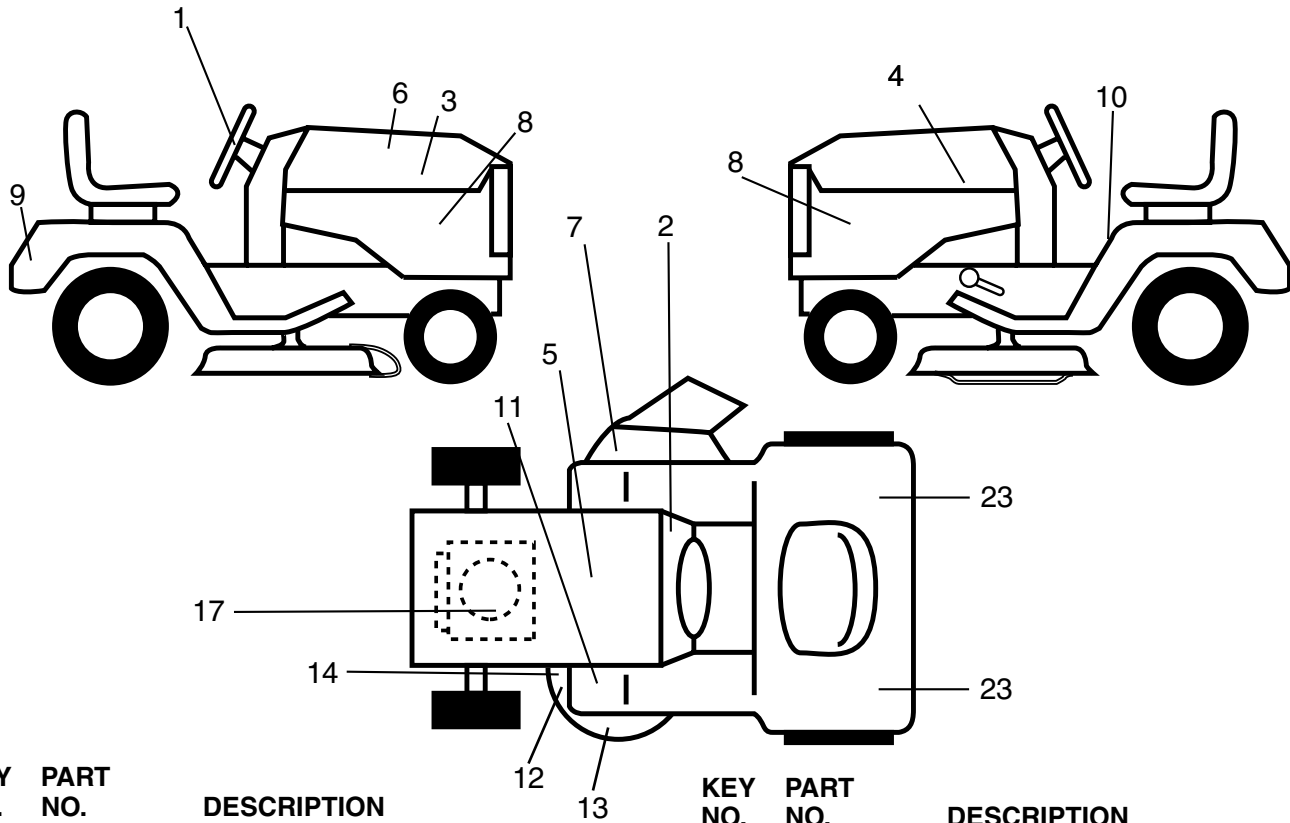
# **ILLUSTRATED PARTS LIST**

**MFG ID NO. 96022000201**

**CUSTOMER CATALOG NO. PBGT2254**

# TRACTOR - - MODEL NUMBER PBGT2254 (96022000201)

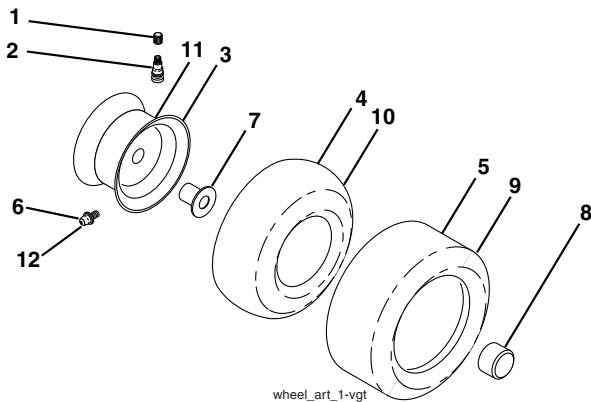
## DECALS



| KEY NO. | PART NO. | DESCRIPTION             |
|---------|----------|-------------------------|
| 1       | 172743   | Decal Steering Wheel    |
| 2       | 195449   | Decal, Dash             |
| 3       | 176272   | Decal, Hood, RH         |
| 4       | 176273   | Decal, Hood, LH         |
| 5       | 145005   | Decal, Battery DNGR/PSN |
| 6       | 194714   | Decal, RPL              |
| 7       | 170563   | Decal, Deck Warning     |
| 8       | 194650   | Decal, SD, PNL          |
| 9       | 172740   | Decal, Fender           |
| 10      | 157140   | Decal, Fender Danger    |
| 12      | 193063   | Mwr Dck upstop          |
| 13      | 178502   | Decal, Deck             |

| KEY NO. | PART NO.   | DESCRIPTION                       |
|---------|------------|-----------------------------------|
| 14      | 188298     | Decal, V-Belt Schematic           |
| 17      | 191651     | Decal, Engine                     |
| 23      | 106202X    | Reflector, Taillight              |
| --      | 181251     | Decal, Footrest                   |
| --      | 179768X428 | Pad, Footrest LH                  |
| --      | 179769X428 | Pad, Footrest RH                  |
| --      | 194604     | Manual, Operator (English/French) |

## WHEELS & TIRES

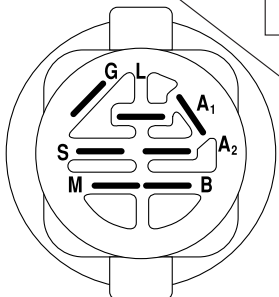
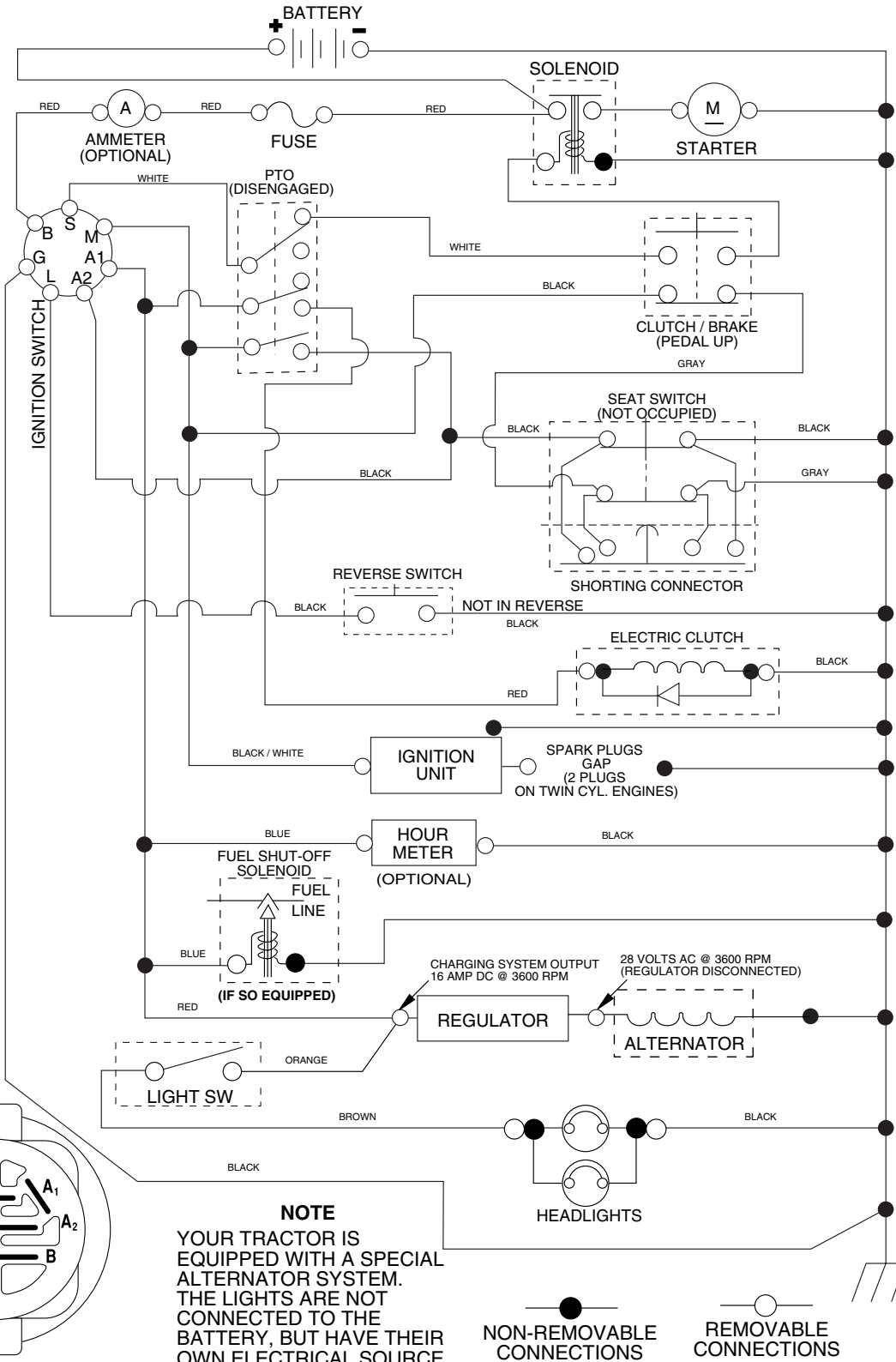


| KEY NO. | PART NO.   | DESCRIPTION   |
|---------|------------|---|
| 1       | 59192      | Cap, Valve, Tire  |
| 2       | 65139      | Stem, Valve   |
| 3       | 106228X421 | Rim Assembly, Front   |
| 4       | 8134H      | Tube, Front (Service Item Only)                                 |
| 5       | 106230X    | Tire, Front   |
| 6       | 278H       | Fitting, Grease (Front Wheel Bearing, Flange (Front Wheel Only) |
| 7       | 9040H      | Bearing, Flange (Front Wheel Only)                              |
| 8       | 104757X421 | Cap, Axle (Front Wheel Only)                                    |
| 9       | 105588X    | Tire, Rear  |
| 10      | 7154J      | Tube, Rear (Service Item Only)                                  |
| 11      | 106277X421 | Rim Assembly, Rear  |
| 12      | 6856M      | Fitting, Grease   |
| --      | 144334     | Sealant, Tire (10 oz. Tube)                                     |

**NOTE:** All component dimensions given in U.S. inches  
1 inch = 25.4 mm

# TRACTOR - - MODEL NUMBER PBGT254 (96022000201)

## SCHEMATIC



**IGNITION SWITCH**

| POSITION     | CIRCUIT "MAKE" |
|--------------|----------------|
| OFF          | M+G+A1         |
| RUN/OVERRIDE | B+A1           |
| RUN          | B+A1 L+A2      |
| START        | B + S + A1     |

02832

**NOTE**  
 YOUR TRACTOR IS EQUIPPED WITH A SPECIAL ALTERNATOR SYSTEM. THE LIGHTS ARE NOT CONNECTED TO THE BATTERY, BUT HAVE THEIR OWN ELECTRICAL SOURCE. BECAUSE OF THIS, THE BRIGHTNESS OF THE LIGHTS WILL CHANGE WITH ENGINE SPEED. AT IDLE THE LIGHTS WILL DIM. AS THE ENGINE IS SPEEDED UP, THE LIGHTS WILL BECOME THEIR BRIGHTEST.

NON-REMOVABLE CONNECTIONS

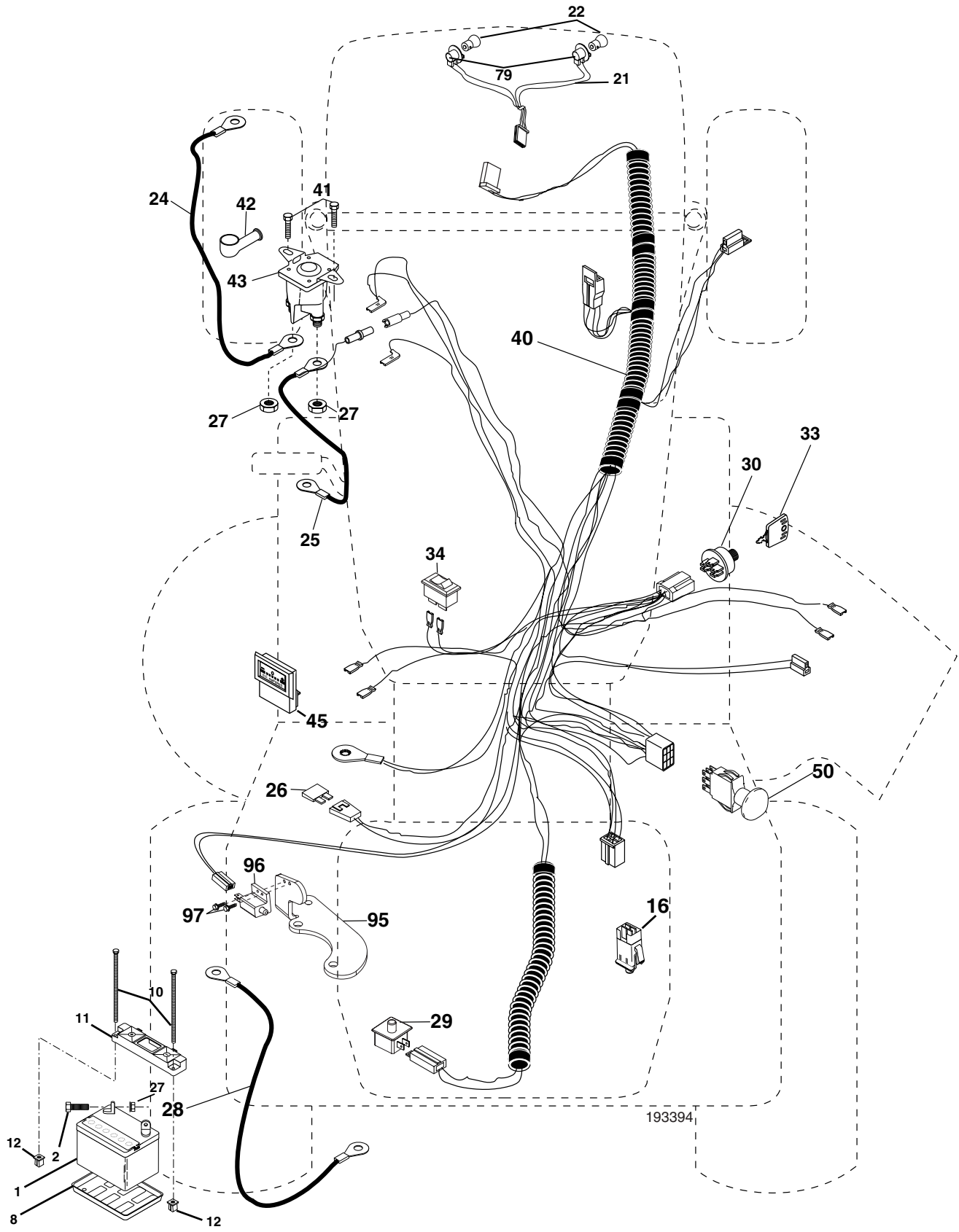
REMOVABLE CONNECTIONS

**WIRING INSULATED CLIPS**

**NOTE:** IF WIRING INSULATED CLIPS WERE REMOVED FOR SERVICING OF UNIT, THEY SHOULD BE REPLACED TO PROPERLY SECURE YOUR WIRING.

# TRACTOR - - MODEL NUMBER PBGT2254 (96022000201)

## ELECTRICAL



# TRACTOR - - MODEL NUMBER PBGT2254 (96022000201)

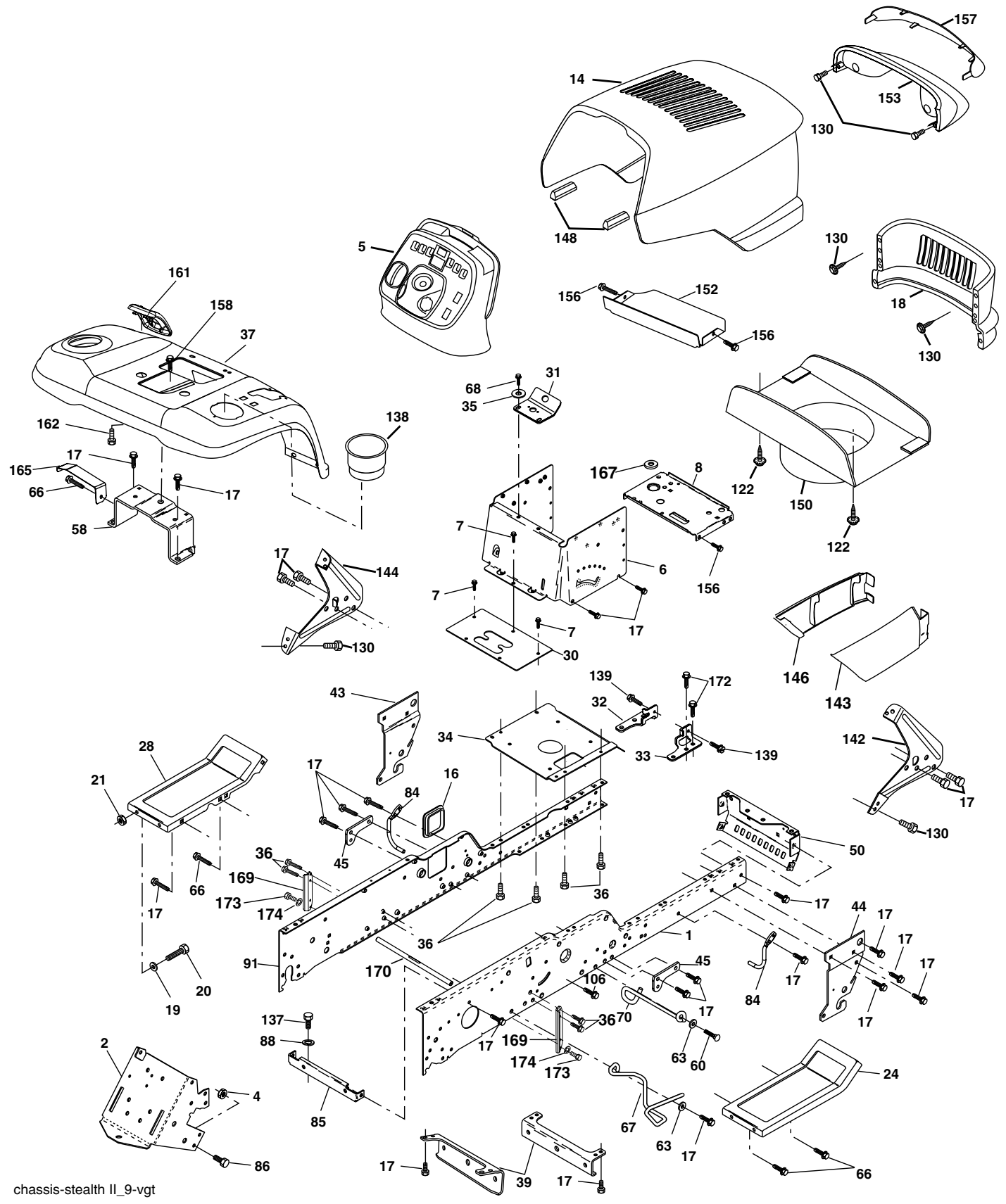
## ELECTRICAL

| KEY NO. | PART NO. | DESCRIPTION                  |
|---------|----------|------------------------------|
| 1       | 144927   | Battery                      |
| 2       | 74760412 | Bolt Hex Head 1/4-20 x 3/4   |
| 8       | 7603J    | Tray, Battery                |
| 10      | 145211   | Bolt 1/4-20 x 7.5 Zinc       |
| 11      | 150109   | Hold down Battery Dash Mount |
| 12      | 145769   | Nut Push Nylon 1/4"          |
| 16      | 176138   | Switch Interlock             |
| 21      | 175688   | Harness Socket Light W/4152J |
| 22      | 4152J    | Bulb Light                   |
| 24      | 185464   | Cable Battery                |
| 25      | 146149   | Cable Battery                |
| 26      | 108824X  | Fuse                         |
| 27      | 73510400 | Nut Keps Hex 1/4-20 Unc      |
| 28      | 170697   | Cable, Ground                |
| 29      | 192749   | Switch, Seat                 |
| 30      | 193350   | Switch, Ign                  |
| 33      | 140401   | Key, Ignition                |
| 34      | 110712X  | Switch Light/Reset           |
| 40      | 193394   | Harness Ign.                 |
| 41      | 17720408 | Screw Thd Cut 1/4-20 x 1/2   |
| 42      | 131563   | Cover, Terminal              |
| 43      | 192507   | Solenoid                     |
| 45      | 122822X  | Ammeter                      |
| 50      | 174653   | Switch, PTO                  |
| 79      | 175242   | Socket Asm. Bulb             |
| 95      | 193666   | Bracket ROS                  |
| 96      | 104445X  | Switch Intek                 |
| 97      | 170488   | Screw #10-24 x .50           |

**NOTE:** All component dimensions given in U.S.  
inches 1 inch = 25.4 mm

# TRACTOR - - MODEL NUMBER PBGT2254 (96022000201)

## CHASSIS



chassis-stealth II\_9-vgt

# TRACTOR - - MODEL NUMBER PBGT2254 (96022000201)

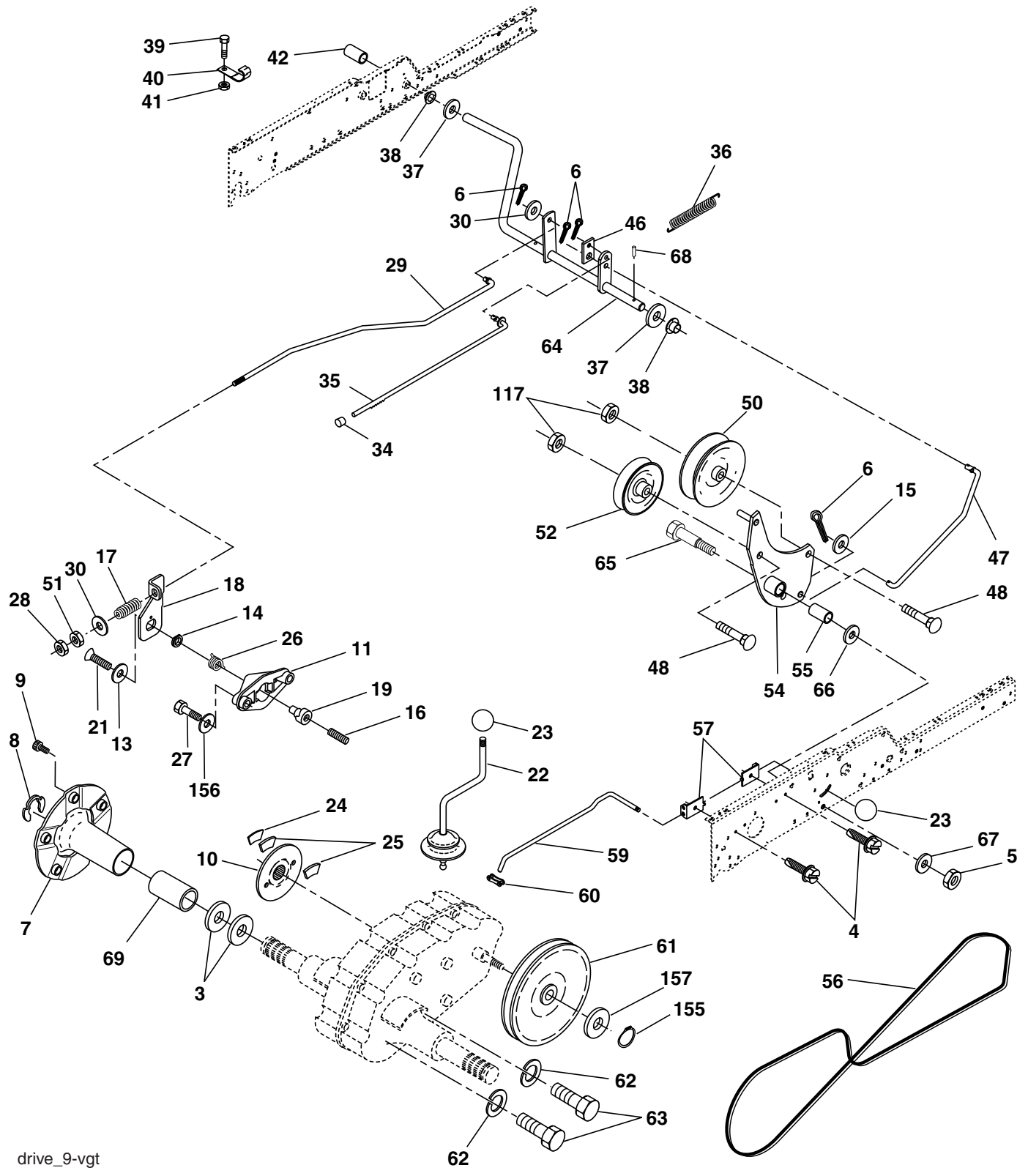
## CHASSIS

| KEY NO. | PART NO.   | DESCRIPTION                    | KEY NO. | PART NO.   | DESCRIPTION                    |
|---------|------------|--------------------------------|---------|------------|--------------------------------|
| 1       | 180375     | Rail, Frame RH                 | 70      | 188578     | Guide, Belt                    |
| 2       | 175282     | Drawbar, Gt                    | 84      | 188164     | Up Stop                        |
| 4       | 73680700   | Nut, Crownlock Hex 7/16-14 unc | 85      | 193923     | Bracket, Support Transaxle     |
| 5       | 193636X428 | Dash                           | 86      | 74780716   | Bolt Fin Hex 7/16-14 unc x 1   |
| 6       | 157882     | Dash, Lower Vgt One Piece      | 88      | 10040700   | Washer, Lock Hvy Hlcl Spr 7/16 |
| 7       | 17720408   | Screw, Thd Cut 1/4-20 x 1/2    | 91      | 180374     | Rail, Frame Lh                 |
| 8       | 184668     | Support, Battery               | 106     | 17580520   | Screw Thdrol 5/16-18 x 1.25    |
| 14      | 175260X428 | Hood Asm                       | 122     | 192512     | Screw Wshd Hex 10-32 x 5/8     |
| 16      | 121794X    | Cover, Access                  | 130     | 191611     | Screw 10 x 3/4 Single Lead-Hex |
| 17      | 17000612   | Screw 3/8-16 x 3/4 Zc          | 137     | 74780716   | Bolt Fin Hex 7/16-14 x1 Gr. 5  |
| 18      | 175289X428 | Grille                         | 138     | 191121X428 | Cupholder YTGT                 |
| 19      | 19131312   | Washer 13/32 x 13/16 x 12 Ga.  | 139     | 171873     | Bolt Shoulder 5/16-18 TT       |
| 20      | 74780616   | Bolt Fin Hex 3/8-16 x 1 Gr. 5  | 142     | 161897     | Bracket Dash Rh                |
| 21      | 73800600   | Nut Lock 3/8-16 unc            | 143     | 169847X428 | Skirt Grille RH                |
| 24      | 179717X428 | Footrest, RH                   | 144     | 161900     | Bracket Dash Lh                |
| 28      | 179716X428 | Footrest, LH                   | 146     | 169848X428 | Skirt Grille LH                |
| 30      | 145051X014 | Saddle, Silkscr Vgt            | 148     | 164655     | Extrusion Bumper               |
| 31      | 161419     | Bracket Support 1-pc           | 150     | 175352     | Duct Heat Hood                 |
| 32      | 161327     | Bracket, Pivot Chassis Lh      | 152     | 177956     | Shield Browning                |
| 33      | 161326     | Bracket, Pivot Chassis Rh      | 153     | 179761     | Light Box Asm w/Lens           |
| 34      | 177018     | Plate Asm Engine Chassis       | 156     | 17000512   | Screw 5/16-18 x 3/4. Blk       |
| 35      | 19111116   | Washer 11/32 x11/16 x 16 Ga.   | 157     | 161840     | Lens Bar                       |
| 36      | 17060512   | Screw 5/16-18 x 3/4            | 158     | 17670608   | Screw Thdrol. 3/8-16 x 1/2     |
| 37      | 179772X428 | Fender                         | 161     | 179612X428 | Console Fuel Window            |
| 39      | 175278     | Bracket, Axle Front            | 162     | 142432     | Screw Hex Wsh Hi-Lo 1/4-1/2    |
| 43      | 136939     | Bracket, Spnsn Front Lh        | 165     | 183554     | Bracket Support Tank           |
| 44      | 136940     | Bracket, Spnsn Front Rh        | 167     | 184672     | Bushing Snap                   |
| 45      | 187270     | Bracket Chassis                | 169     | 188598     | Bracket Chassis Sway           |
| 50      | 175476     | Bracket, Chassis Front         | 170     | 194667     | Rod Bracket Sway Brace         |
| 58      | 183569     | Bracket Fender                 | 172     | 17120614   | Screw 3/8-16 x .875            |
| 60      | 17060620   | Screw 3/8-16 x 1-1/4           | 173     | 74780512   | Bolt Fin Hex 5/16-18 UNC x 3/4 |
| 63      | 19131614   | Washer 13/32 x 1 x 14 Ga.      | 174     | 10040500   | Washer Lock Hvy HLCL Spr 5/16  |
| 66      | 17490608   | Screw 3/8-16 x 1/2             |         |            |                                |
| 67      | 156973     | Guide, Belt Gear Drive         |         |            |                                |
| 68      | 17490508   | Screw Thdrol. 5/16-18 x 1/2    |         |            |                                |

**NOTE:** All component dimensions given in U.S. inches 1 inch = 25.4 mm

# TRACTOR - - MODEL NUMBER PBGT2254 (96022000201)

## DRIVE



drive\_9-vgt



# TRACTOR - - MODEL NUMBER PBGT2254 (96022000201)

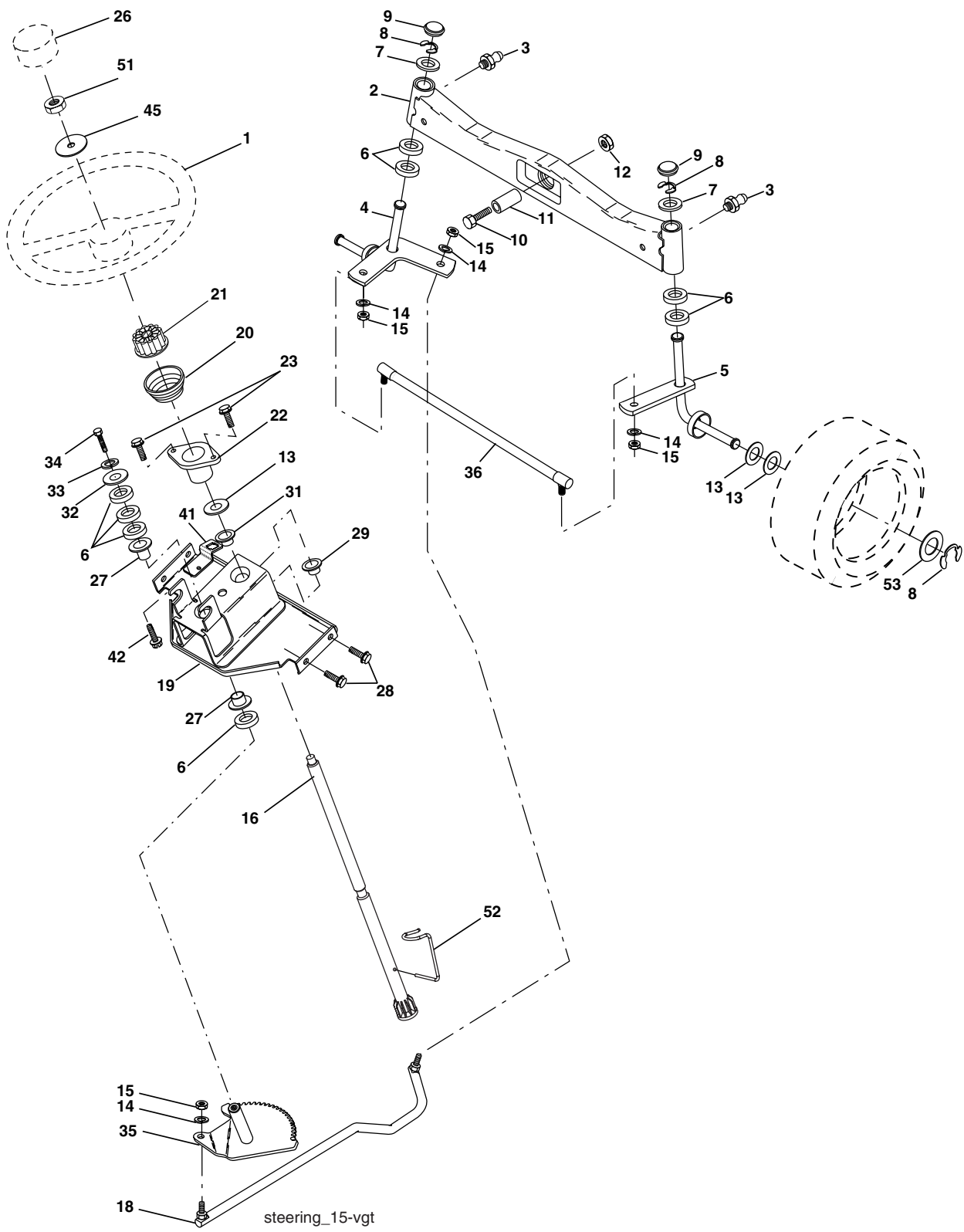
## DRIVE

| KEY NO. | PART NO. | DESCRIPTION                      | KEY NO. | PART NO. | DESCRIPTION                      |
|---------|----------|----------------------------------|---------|----------|----------------------------------|
| 3       | 7563R    | Washer, Thrust, Axle             | 40      | 178575   | Actuator, Interlock Switch       |
| 4       | 17490508 | Screw Thdrol 5/16-18 x 3/4       | 41      | 73931000 | Nut, Centerlock #10-24           |
| 5       | 73680600 | Nut, Crownlock 3/8-16            | 42      | 123533X  | Cover, Pedal                     |
| 6       | 76020412 | Pin, Cotter                      | 46      | 145170   | Retainer, Spring                 |
| 7       | 149176   | Wheel, Hub Assembly              | 47      | 138228   | Clutch Rod                       |
| 8       | 12000034 | Klip, Ring                       | 48      | 72110612 | Bolt, Carr. 3/8-16 x 1-1/2 Gr. 5 |
| 9       | 140080   | Bolt, Hub                        | 50      | 131494   | Pulley, Idler, Flat              |
| 10      | 142509   | Disc, Brake                      | 51      | 73800600 | Nut, Crownlock 3/8-16 unc        |
| 11      | 136927   | Yoke, Brake Disc                 | 52      | 139123   | Pulley, Idler, Grooved           |
| 13      | 139419   | Washer, Special                  | 54      | 161590   | Clutch, Arm Assembly             |
| 14      | 138901   | Bushing                          | 55      | 105706X  | Bearing, Idler                   |
| 15      | 19131316 | Washer 13/32x13/16 x 16 Ga.      | 56      | 137153   | V-Belt                           |
| 16      | 143012   | Set, Screw 1/4-28 x 3/4          | 57      | 141756   | Bracket, Shift Rod, Hi-Lo        |
| 17      | 126909X  | Spring                           | 59      | 122253X  | Shift Rod, Hi-Lo                 |
| 18      | 137104   | Lever, Brake                     | 60      | 122268X  | Spring Clip, Connecting Link     |
| 19      | 136926   | Cam, Brake Disc                  | 61      | 184787   | Pulley, Transaxle                |
| 21      | 23260412 | Screw, Flat Head 1/4-28 x 3/4    | 62      | 10040700 | Washer, Lock 7/16                |
| 22      | 194121   | Gearshift, Lever Assembly        | 63      | 74780720 | Bolt, Fin Hex 7/16-14 x 1-1/4    |
| 23      | 106932X  | Knob                             | 64      | 154752   | Shaft, Clutch/Brake Pedal        |
| 24      | 136925   | Support, Puck Brake              | 65      | 179613   | Bolt, Shoulder                   |
| 25      | 136923   | Puck, Brake Top                  | 66      | 140296   | Washer, Hardened                 |
| 26      | 137552   | Spring, Return                   | 67      | 19131312 | Washer, Flat                     |
| 27      | 74880528 | Bolt Hx Gr 8 5/16-18 UNC x 1-3/4 | 68      | 5142H    | Pin, Roll                        |
| 28      | 73350600 | Nut, Hex Jam 3/8-16              | 69      | 136327   | Hub, Cover                       |
| 29      | 137213   | Brake, Rod                       | 117     | 73900600 | Nut, Lock Flg. 3/8-16 unc        |
| 30      | 19131616 | Washer 13/32 x 1 x 16 Ga.        | 155     | 12000028 | Ring Retainer                    |
| 34      | 71673    | Cap, Plunger                     | 156     | 10040500 | Washer Lock Hvy HLCL SPR 5/16    |
| 35      | 137648   | Rod, Parking Brake               | 157     | 1370H    | Washer Thrust 5/8 x 1.10 x 1/32  |
| 36      | 149412   | Spring, Drive Ground             |         |          |                                  |
| 37      | 121749X  | Washer 25/32 x 1-1/4 x 16 Ga.    |         |          |                                  |
| 38      | 150035   | Nyliner                          |         |          |                                  |
| 39      | 74321016 | Screw, Fin. #10-24 x 1           |         |          |                                  |

**NOTE:** All component dimensions given in U.S. inches 1 inch = 25.4 mm

# TRACTOR - - MODEL NUMBER PBGT2254 (96022000201)

## STEERING ASSEMBLY



**TRACTOR - - MODEL NUMBER PBGT2254 (96022000201)**  
**STEERING ASSEMBLY**

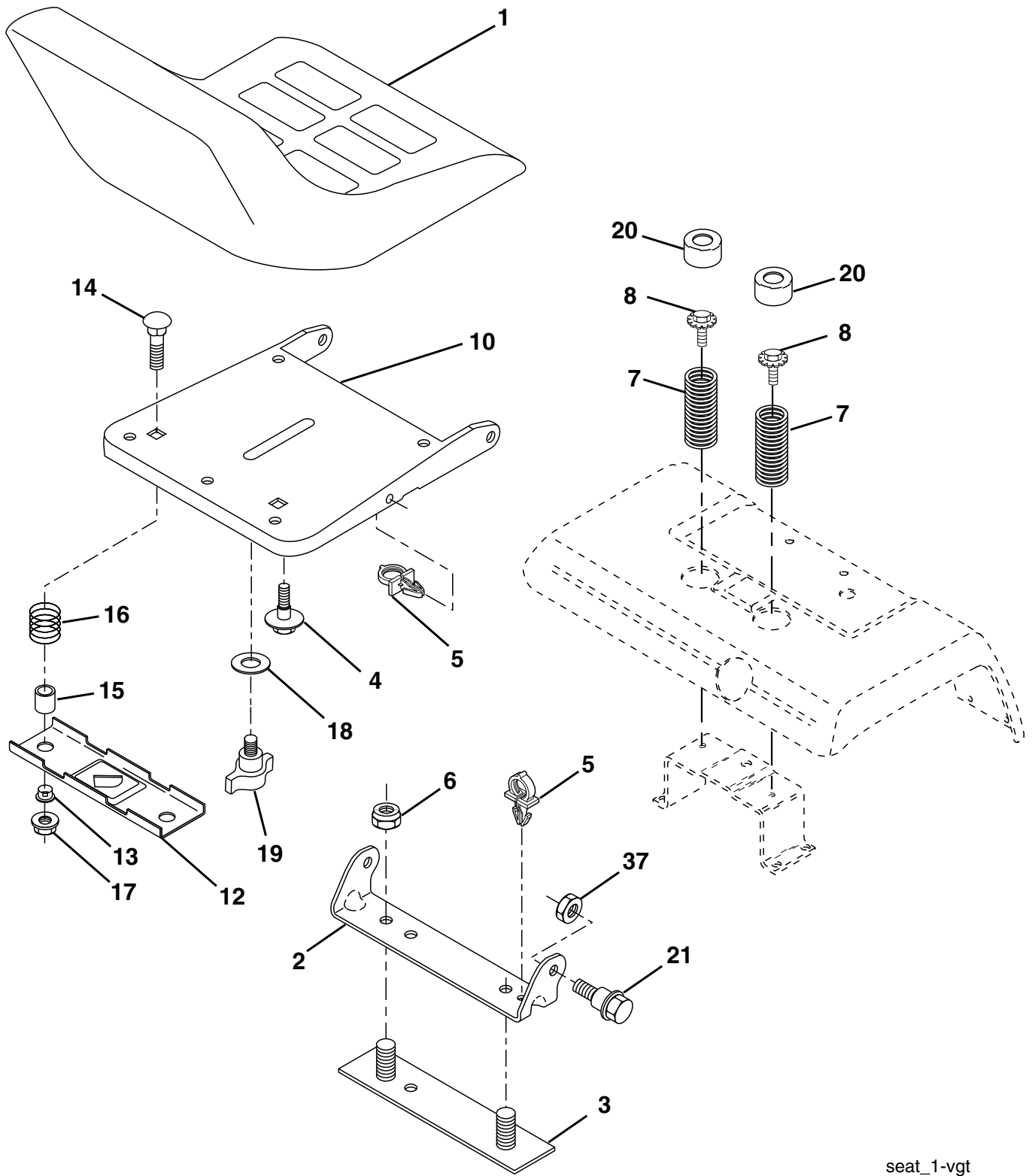
| <b>KEY NO.</b> | <b>PART NO.</b> | <b>DESCRIPTION</b>             |
|----------------|-----------------|--------------------------------|
| 1              | 186094X428      | Wheel, Steering                |
| 2              | 178557          | Axle Asm., Front               |
| 3              | 183226          | Fitting, Grease                |
| 4              | 161849          | Spindle Asm, LH                |
| 5              | 161848          | Spindle Asm., RH               |
| 6              | 6266H           | Bearing, Race Thrust Harden    |
| 7              | 121748X         | Washer 25/32 x 1-5/8 x 16 Ga.  |
| 8              | 1200029         | Ring Klip #T5304-75            |
| 9              | 121232X         | Cap, Spindle                   |
| 10             | 74781044        | Bolt, Fin Hex 5/8-11 x 2-3/4   |
| 11             | 136518          | Spacer Bearing Axle Front      |
| 12             | 73901000        | Nut, Lock Flange 5/8-11 Unc    |
| 13             | 121749X         | Washer 25/32 x 1-1/4 x 16 Ga.  |
| 14             | 10040600        | Washer, Lock Hvy Hlcl Spr 3/8  |
| 15             | 73540600        | Nut, Crownlock 3/8-24          |
| 16             | 191049          | Shaft Asm., Steering           |
| 18             | 187799          | Draglink, Ball Joint Solid Vgt |
| 19             | 156011          | Support Asm., Steering Vgt     |
| 20             | 163887X428      | Boot, Steering                 |
| 21             | 186737          | Adapter, Wheel Steering        |
| 22             | 155105          | Bushing, Strg. Blk             |
| 23             | 152927          | Screw                          |

| <b>KEY NO.</b> | <b>PART NO.</b> | <b>DESCRIPTION</b>                 |
|----------------|-----------------|------------------------------------|
| 26             | 186095X428      | Cap, Wheel Steering                |
| 27             | 3366R           | Bearing, Col. Strg.                |
| 28             | 17000612        | Screw 3/8-16 x 3/4                 |
| 29             | 104239X         | Bearing, Flange                    |
| 31             | 138136          | Bushing, Nyliner Snap              |
| 32             | 19111610        | Washer 11/32 x 1 x 10 Ga.          |
| 33             | 10040500        | Washer, Lock Hvy Hlcl Spr 5/16     |
| 34             | 74780512        | Bolt, Fin Hex Hd 5/16-18 x 3/4     |
| 35             | 187039          | Gear, Sector Steering              |
| 36             | 186799          | Tie Rod                            |
| 41             | 155246          | Bracket Switch Interlock VGT 97    |
| 42             | 17490508        | Screw Thdrol 5/16-18 x 1/2 Tyt     |
| 45             | 19183812        | Washer 9/16 ID x 2-3/8 OD 12 G zin |
| 51             | 73940800        | Nut Hex Jam Toplock 1/2-20 unf     |
| 52             | 175553          | Clip Steering                      |
| 53             | 188967          | Washer Hardened                    |

**NOTE:** All component dimensions given in U.S. inches  
1 inch = 25.4 mm

# TRACTOR - - MODEL NUMBER PBGT2254 (96022000201)

## SEAT ASSEMBLY



seat\_1-vgt

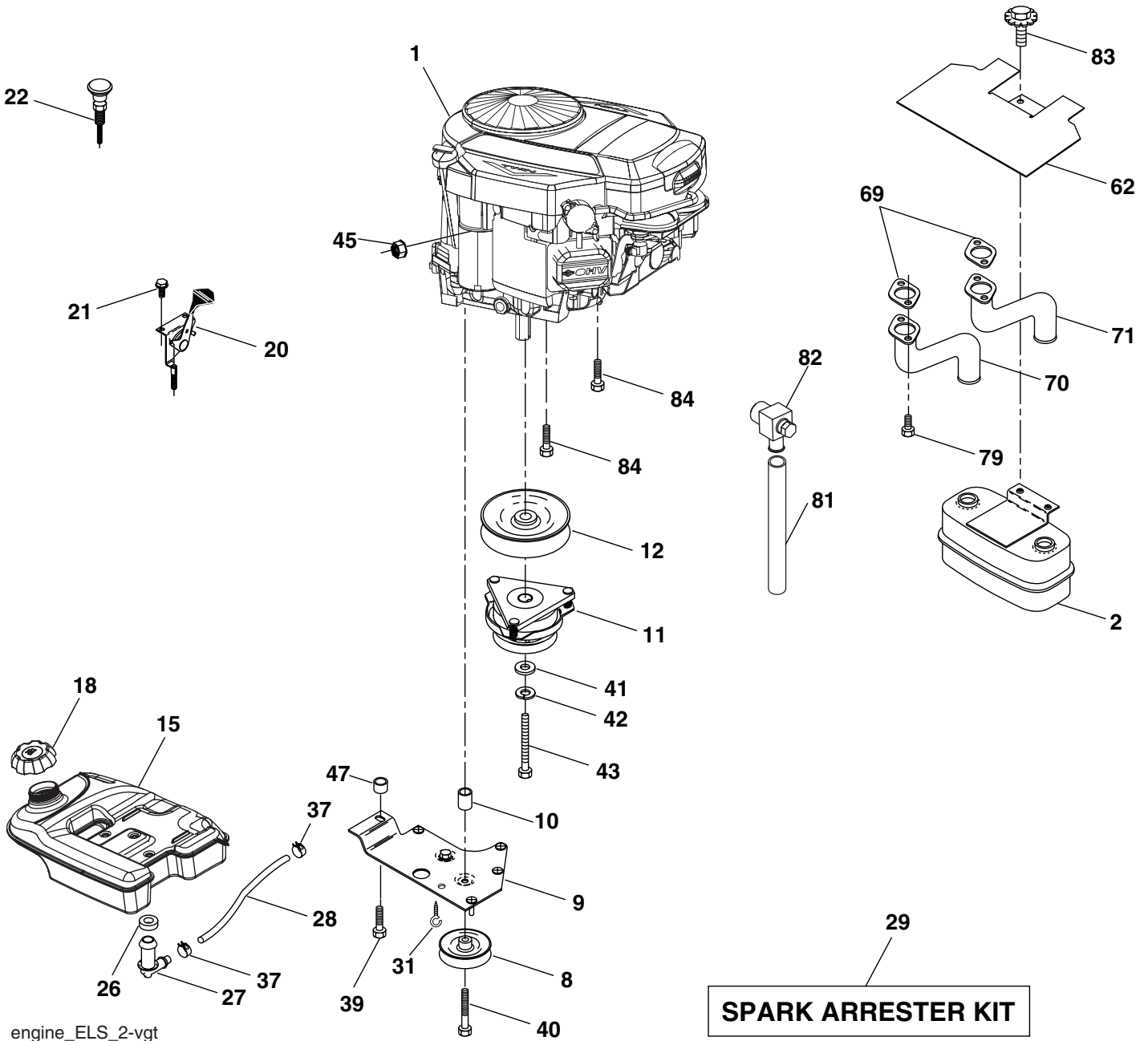
**TRACTOR - - MODEL NUMBER PBGT2254 (96022000201)**  
**SEAT ASSEMBLY**

| <b>KEY NO.</b> | <b>PART NO.</b> | <b>DESCRIPTION</b>             |
|----------------|-----------------|--------------------------------|
| 1              | 188720          | Seat                           |
| 2              | 140551          | Bracket Pivot Fender           |
| 3              | 140675          | Strap, Fender Assy.            |
| 4              | 127018X         | Bolt Shoulder 5/16-18 x .62    |
| 5              | 145006          | Clip, Push In, Hinged          |
| 6              | 73800600        | Nut, lock 3/8-16 Unc           |
| 7              | 124181X         | Spring, Seat Cprsn             |
| 8              | 171877          | Bolt 5/16-18 Unc x 3/4 w/Sems  |
| 10             | 182493          | Pan, Seat                      |
| 12             | 174648          | Bracket, Mounting Switch       |
| 13             | 121248X         | Bushing, Snap                  |
| 14             | 72050412        | Bolt, Carriage 1/4-20 x 1-1/2  |
| 15             | 134300          | Spacer, Split                  |
| 16             | 121250X         | Spring, Cprsn                  |
| 17             | 123976X         | Nut, Lock 1/4 Lge Flg Gr. 5    |
| 18             | 19171912        | Washer 17/32 x 1-3/16 x 12 Ga. |
| 19             | 166369          | Knob, Seat                     |
| 20             | 124238X         | Cap, Spring Seat               |
| 21             | 171852          | Bolt, Shoulder 5/16-18         |
| 37             | 73800500        | Nut, Crownlock 5/16-18 Unc     |

**NOTE:** All component dimensions given in U.S. inches  
1 inch = 25.4 mm

# TRACTOR - - MODEL NUMBER PBGT254 (96022000201)

## ENGINE



# TRACTOR - - MODEL NUMBER PBGT2254 (96022000201)

## ENGINE

| KEY NO. | PART NO.   | DESCRIPTION   |
|---------|------------|---|
| 1       | -----      | Engine Briggs, Model No. 40H777<br>(Order parts from engine manuf.) |
| 2       | 149723     | Muffler Side  |
| 8       | 121361X    | Pulley V-Idler  |
| 9       | 177748     | Keeper Asm. Belt Engine VGT   |
| 10      | 175287     | Bushing   |
| 11      | 179335     | Clutch  |
| 12      | 143996     | Pulley Engine VGT Elect Clutch                                      |
| 15      | 179115     | Tank Fuel Rear 5.0  |
| 18      | 179124X428 | Cap Asm. Fuel   |
| 20      | 175437X428 | Control Throttle  |
| 21      | 191611     | Screw 10 x 3/4 Single Hex   |
| 22      | 187767X428 | Control Choke   |
| 26      | 3645J      | Bushing   |
| 27      | 139277     | Stem Tank Fuel  |
| 28      | 188669     | Fuel Line   |
| 29      | 137180     | Spark Arrester Kit  |
| 31      | 145006     | Clip Push-In Hinged   |
| 37      | 123487X    | Clamp Hose  |
| 39      | 17490636   | Screw TT 3/8-16 x 2-1/4 Unc   |
| 40      | 17490664   | Screw TT 3/8-16 x 4 Unc   |
| 41      | 126197X    | Washer 1-1/2 OD x 15/32 ID x .250                                   |
| 42      | 10040700   | Washer Lock 7/16  |

| KEY NO. | PART NO. | DESCRIPTION                     |
|---------|----------|---------------------------------|
| 45      | 73510400 | Nut Keps Hex 1/4-20             |
| 47      | 175288   | Spacer                          |
| 62      | 146629   | Shield Heat Muffler CV-Intek    |
| 69      | 165391   | Gasket                          |
| 70      | 176069   | Tube Exhaust LH                 |
| 71      | 176070   | Tube Exhaust RH                 |
| 79      | 183906   | Screw Socket Head 5/16-18 x 1   |
| 81      | 188800   | Tube Drain Oil                  |
| 82      | 188799   | Valve Oil Drain                 |
| 83      | 171877   | Bolt 5/16-18 Unc x 1-3/4 W/Sems |
| 84      | 17060624 | Screw Thdrol 3/8-16 x 1-1/2     |
| 85      | 179953   | Bolt Hex 7/16-20 x 3.75 Gr. 5   |

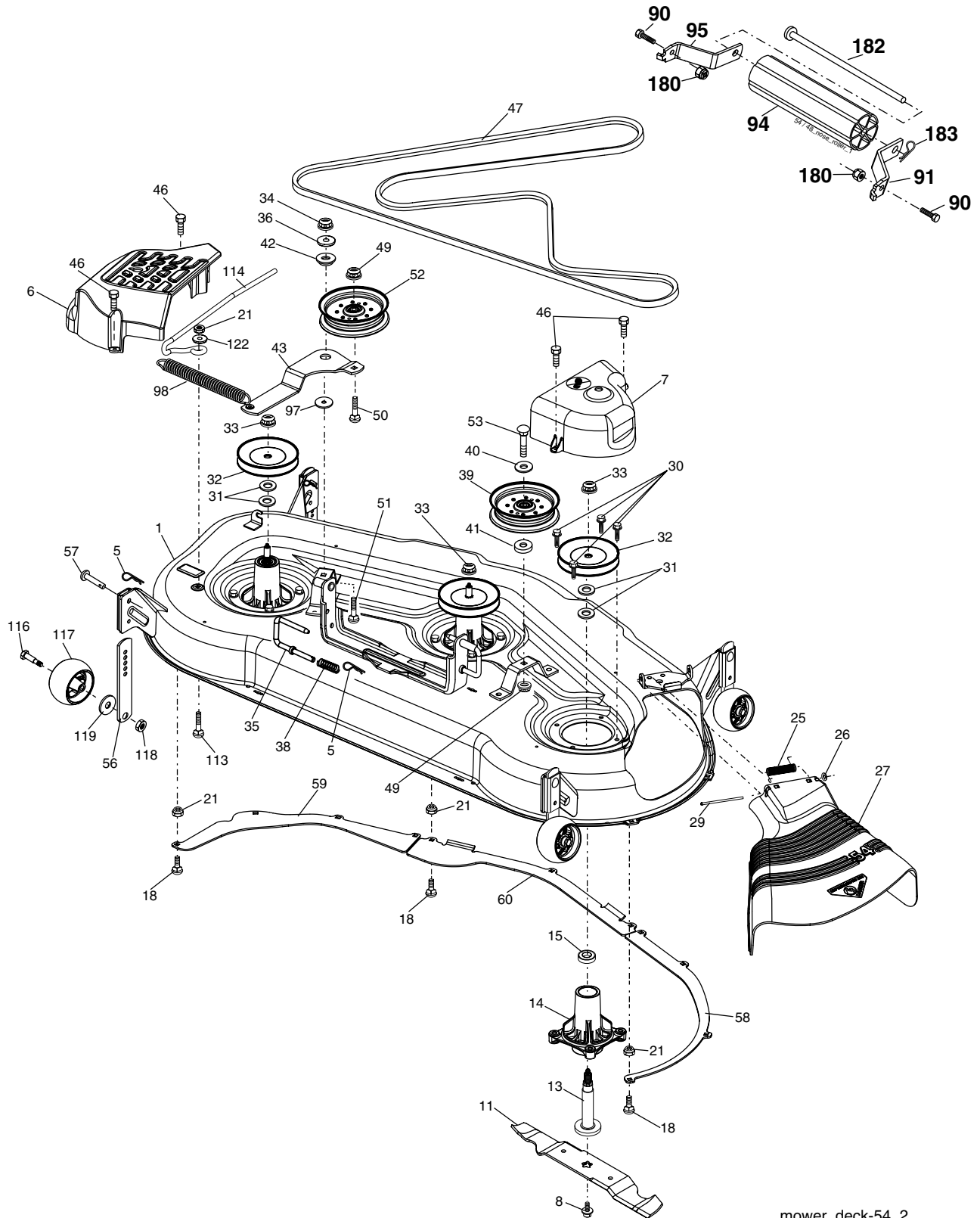
**NOTE:** All component dimensions given in U.S. inches  
1 inch = 25.4 mm

For engine service and replacement parts, call the tollfree number for your engine manufacturer listed below:

|                   |                |
|-------------------|----------------|
| Briggs & Stratton | 1-800-233-3723 |
| Kohler Co.        | 1-800-544-2444 |
| Tecumseh Products | 1-800-558-5402 |
| Honda Engines     | 1-800-426-7701 |
| Kawasaki          | 1-800-460-5688 |

# TRACTOR - - MODEL NUMBER PBGT2254 (96022000201)

## MOWER DECK



mower\_deck-54\_2



# TRACTOR - - MODEL NUMBER PBGT2254 (96022000201)

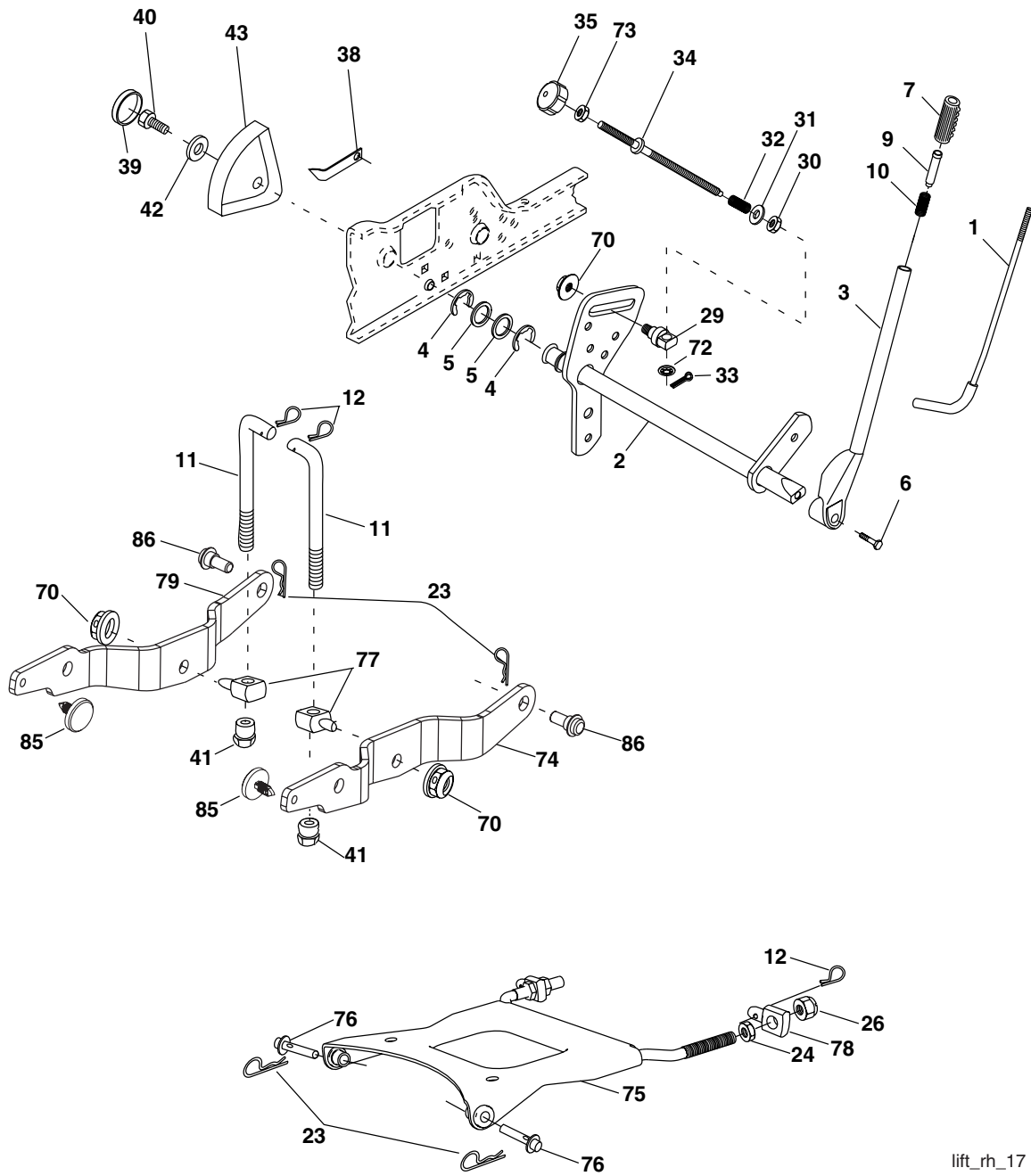
## MOWER DECK

| KEY NO. | PART NO.   | DESCRIPTION                                | KEY NO. | PART NO. | DESCRIPTION   |
|---------|------------|--|---------|----------|---|
| 1       | 196100     | Deck Weldment Mower                        | 50      | 72110616 | Bolt, Carr. 3/8-16 x 2                                |
| 5       | 4939M      | Retainer Spring                            | 51      | 72110610 | Bolt  |
| 6       | 187297     | Cover Mandrel LH                           | 52      | 188460   | Pulley Idler Clutching                                |
| 7       | 188187     | Cover Mandrel RH                           | 53      | 74780636 | Bolt Fin Hex 3/8-16 UNC x 2-1/4                       |
| 8       | 174365     | Bolt 7/16 Asm. Blade                       | 56      | 155986   | Bar Pnt Adj.  |
| 11      | 187254     | Blade, Standard (For mulching mowers only) | 57      | 156941   | Pin Head Rivet  |
| 13      | 187291     | Shaft Asm. w/Lower Bearing                 | 58      | 187342   | Baffle Right  |
| 14      | 187281     | Housing, Mandrel                           | 59      | 187344   | Baffle Left   |
| 15      | 110485X    | Bearing, Ball, Mandrel                     | 60      | 187607   | Baffle Center   |
| 17      | 72140505   | Bolt, Carriage 5/16-18 x 5/8               | 90      | 74760516 | Bolt Hex HD 5/16-18 UNC x 1                           |
| 21      | 73680500   | Nut, Crownlock 5/16-18 unc                 | 91      | 180535   | Bracket Nose Roller RH                                |
| 25      | 178102     | Spring, Torsion                            | 94      | 176066   | Roller Nose   |
| 26      | 110452X    | Nut, Push                                  | 95      | 180534   | Bracket Noseroller LH                                 |
| 27      | 187257X428 | Deflector Shield                           | 97      | 19133210 | Washer 13/32 x 2 x 10 Ga.                             |
| 29      | 131491     | Rod, Hinge                                 | 98      | 187282   | Spring Clutch Drive                                   |
| 30      | 173984     | Screw, Thdroll Washer Head                 | 113     | 72110508 | Bolt Rdhd Sqnk 5/16-18 x 3/4                          |
| 31      | 187690     | Washer, Spacer Mower Vented                | 114     | 187556   | Rod Tension Relief                                    |
| 32      | 173436     | Pulley, Mandrel                            | 116     | 193406   | Bolt, Shoulder  |
| 33      | 178342     | Nut, Flg. Top Lock Cntr. 9/16              | 117     | 174873   | Gauge Wheel   |
| 34      | 73680600   | Nut  | 118     | 73930600 | Nut, Centerlock 3/8-16 unc                            |
| 35      | 188635     | Pin Suspension Rear                        | 119     | 19121414 | Washer 3/8 x 7/8 x 14 Ga.                             |
| 36      | 19131316   | Washer 13/32 x 13/16 x 16 Ga.              | 122     | 187557   | Bushing Tension Relief                                |
| 38      | 188657     | Spring Compression                         | 180     | 73800500 | Nut Lock HX w/Ins 5/16-18 UNC                         |
| 39      | 187284     | Pulley, Idler, Stationary                  | 182     | 179127   | Rod Roller Nose                                       |
| 40      | 19131312   | Washer 13/32 x 13/16 x 12 Ga               | 183     | 163552   | Retainer Spring                                       |
| 41      | 19132203   | Washer 13/32 x 1-3/8 x 3 Ga.               | --      | 187292   | Mandrel Asm. Service (Includes Key Nos. 13-15 and 33) |
| 42      | 122052X    | Spacer, Retainer                           | --      | 196101   | Replacement Mower, Complete                           |
| 43      | 196216     | Arm, Idler                                 |         |          |   |
| 46      | 137729     | Screw, Thdroll. 1/4-20 x 5/8               |         |          |   |
| 47      | 191273     | V-Belt, Mower                              |         |          |   |
| 49      | 73900600   | Nut, Lock Flg. 3/8-16 unc                  |         |          |   |

**NOTE:** All component dimensions given in U.S. inches  
1 inch = 25.4 mm

# TRACTOR - - MODEL NUMBER PBGT2254 (96022000201)

## MOWER LIFT



lift\_rh\_17

# TRACTOR - - MODEL NUMBER PBGT2254 (96022000201)

## MOWER LIFT

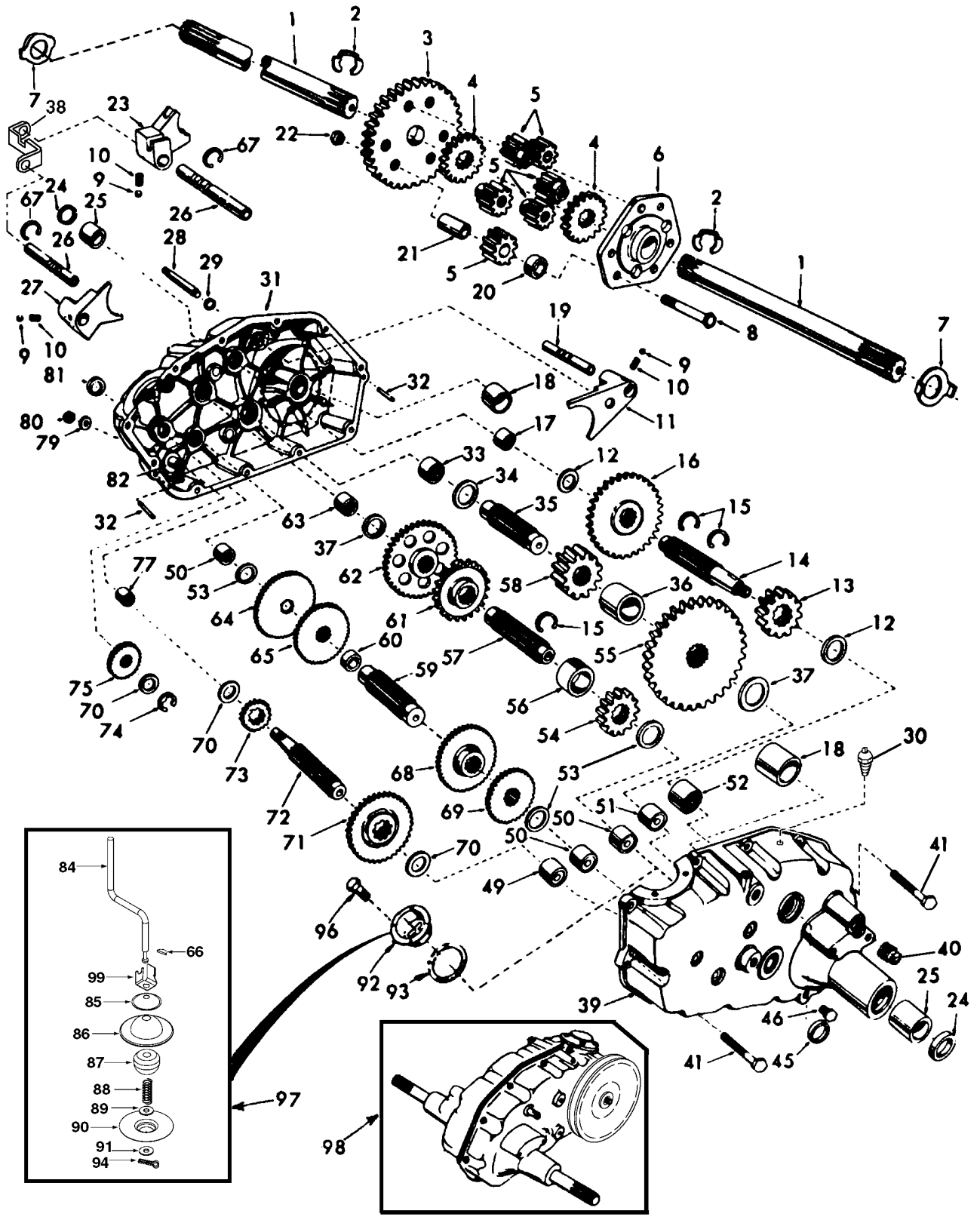
| KEY NO. | PART NO.   | DESCRIPTION                      |
|---------|------------|----------------------------------|
| 1       | 121006X    | Rod Asm., Lever                  |
| 2       | 180045     | Shaft Asm., Lift Vgt             |
| 3       | 159189     | Lever Asm., Lift Rh              |
| 4       | 12000022   | E-Ring Truarc #5133-87           |
| 5       | 19292016   | Washer 29/32 x 1-1/4 x 16 Ga.    |
| 6       | 71110624   | Bolt, Fin Hex 3/8-16 unc x 1-1/2 |
| 7       | 175830     | Grip, Handle Fluted              |
| 8       | 175831X421 | Button, Plunger                  |
| 10      | 183894     | Spring 0.62 OD x 2.125           |
| 11      | 175375     | Link Lift                        |
| 12      | 163552     | Retainer Spring                  |
| 23      | 4939M      | Retainer, Spring                 |
| 24      | 73350800   | Nut, Jam Hex 1/2-13 unc          |
| 26      | 73800800   | Nut, Lock 1/2-13 unc             |
| 29      | 150233     | Trunnion, Infin Height           |
| 30      | 110807X    | Nut, Special                     |
| 31      | 19131016   | Washer 13/32 x 5/8 x 16 Ga.      |
| 32      | 137150     | Spring, Compression Inf Hgt      |
| 33      | 76020308   | Pin Cotter 3/32 x 1/2            |
| 34      | 137167     | Rod, Adj Lift                    |

| KEY NO. | PART NO. | DESCRIPTION                   |
|---------|----------|-------------------------------|
| 35      | 138057   | Knob, Inf 3/8-16 unc          |
| 38      | 155097   | Pointer, Height Indicator     |
| 39      | 123935X  | Plug, Hole                    |
| 40      | 17060516 | Screw 5/16-18 x 1             |
| 41      | 175994   | Nut, 7/16-20                  |
| 42      | 19112410 | Washer 11/32 x 1-1/2 x 10 Ga. |
| 43      | 123934X  | Scale, Indicator Height       |
| 70      | 145212   | Nut Hex Flange Lock           |
| 72      | 110452X  | Nut Push Phos & Oil           |
| 73      | 73350600 | Nut Hex Jam 3/8-16 unc        |
| 74      | 187277   | Arm Susp. RH                  |
| 75      | 175805   | Plate Asm Susp. Front         |
| 76      | 175560   | Pin Flange                    |
| 77      | 176205   | Trunnion Susp. Arm            |
| 78      | 175689   | Trunnion Susp. Front          |
| 79      | 187276   | Arm Susp. LH                  |
| 85      | 189013   | Insert Wear                   |
| 86      | 188528   | Bolt Shoulder                 |

**NOTE:** All component dimensions given in U.S. inches 1 inch = 25.4 mm

# TRACTOR - - MODEL NUMBER PBGT2254 (96022000201)

## TRANSAXLE



# TRACTOR - - MODEL NUMBER PBGT2254 (96022000201)

## TRANSAXLE

| KEY NO. | PART NO. | DESCRIPTION  | KEY NO. | PART NO. | DESCRIPTION                                     |
|---------|----------|--|---------|----------|---|
| 1       | 4197R    | Axle Shaft   | 52      | 8119M    | Needle Bearing                                  |
| 2       | 12000034 | Retaining Ring   | 53      | 4220R    | Thrust Bearing Race                             |
| 3       | 4199R    | Final Drive Gear   | 54      | 4209R    | 3rd Reduction Pinion, Low                       |
| 4       | 4216R    | Differential Gear  | 55      | 4213R    | 4th Reduction Gear                              |
| 5       | 4215R    | Differential Pinion  | 56      | 4442R    | 3rd Reduction Pinion Spacer                     |
| 6       | 4217R    | Differential Carrier   | 57      | 4195R    | 2nd Reduction Gear Shaft                        |
| 7       | 174728   | Axle Thrust Washer   | 58      | 4214R    | Final Drive Pinion                              |
| 8       | 74020652 | Bolt, Hex Head 3/8-24 x 3-1/4 (1" Thread Length)   | 59      | 4194R    | 1st Reduction Gear Shaft                        |
| 9       | 7392M    | Steel Ball   | 60      | 7528R    | 1st Reduction Shaft Spacer                      |
| 10      | 137261   | Spring Shift Fork Detent   | 61      | 4208R    | 3rd Reduction Pinion High                       |
| 11      | 4985R    | Shift Fork, High-Low Range   | 62      | 4207R    | 2nd Reduction Gear                              |
| 12      | 6266H    | Thrust Bearing Race  | 63      | 7398H    | Needle Bearing                                  |
| 13      | 4212R    | 4th Reduction Pinion   | 64      | 4203R    | Low Speed Gear and 2nd Reduction Pinion Cluster |
| 14      | 137125   | Shaft, Brake   | 65      | 4204R    | Reverse Gear                                    |
| 15      | 6276H    | Snap Ring, Crescent Type   | 66      | 2898J    | Key, Hi-Pro 1/8 x 17/32                         |
| 16      | 633A63   | High-Low Range Gears   | 67      | 12000033 | Klip Ring                                       |
| 17      | 8118M    | Needle Bearing   | 68      | 4205R    | Intermediate Speed Gear                         |
| 18      | 8740H1   | Sintered Iron Bearing  | 69      | 4206R    | High Speed Gear                                 |
| 19      | 122238X  | Shift Fork Shaft, High-Low Range   | 70      | 1370H    | Thrust Bearing Race                             |
| 20      | 4218R    | Differential Pinion Spacer   | 71      | 633A69   | Intermediate and High Speed Cluster Pinions     |
| 21      | 6252H1   | Differential Pinion Bushing  | 72      | 139120   | Input Shaft                                     |
| 22      | 7810H    | Gripco Centerlock Nut 3/8-24   | 73      | 4201R    | Low Speed Pinion                                |
| 23      | 6262H    | Shift Fork, R.H.   | 74      | 12000008 | E-Ring  |
| 24      | 7393R    | Oil Seal   | 75      | 1153R    | Reverse Idler Gear                              |
| 25      | 992R1    | Sintered Iron Bearing  | 77      | 6803J    | Needle Bearing                                  |
| 26      | 139111   | Shift Fork Shaft   | 79      | 1167R    | Sealing Washer                                  |
| 27      | 4986R    | Shift Fork, L.H.   | 80      | 73360700 | Nut, Hex, Jam 7/16-20                           |
| 28      | 122254X  | Shift Shaft, High-Low Range  | 81      | 6270H    | Oil Seal  |
| 29      | 6269H    | Oil Seal   | 82      | 136984   | Reverse Idler Shaft                             |
| 30      | 5855H    | Pressure Relief Valve  | 84      | 5384J    | Gearshift Lever, Bent                           |
| 31      | 174731   | Gearcase, Reverse Idler Shaft and Bearings, R.H. (Includes Key No.'s 17,18, 25, 33, 50, 63, 77 and 82) | 85      | 2978J    | Gearshift Cap                                   |
| 32      | 6277H    | Dowel Pin  | 86      | 633A85   | Gearshift Ball Cover and Pin                    |
| 33      | 4225R    | Needle Bearing   | 87      | 8739H1   | Shift Lever Guide Ball, Keyed                   |
| 34      | 7396H    | Thrust Bearing Race  | 88      | 4924H    | Spring  |
| 35      | 4198R    | 4th Reduction Gear Shaft   | 89      | 19151516 | Washer 15/32 x 15/16 x 16 Ga.                   |
| 36      | 4200R    | 4th Reduction Gear Spacer  | 90      | 110542X  | Shift Mechanism Seal                            |
| 37      | 7395H    | Thrust Bearing Race  | 91      | 19181511 | Washer 9/16 x 15/16 x 12 Ga.                    |
| 38      | 160789   | Gate, Lower, Shift   | 92      | 75J      | Gearshift Gate and Reinforcement                |
| 39      | 174729   | Gearcase and Bearings, L.H. (Includes Key umbers 18, 25, 49, 50 (2), 51 and 52)                        | 93      | 6274H    | Shift Ball Cover Gasket                         |
| 40      | 13320400 | Pipe Plug 1/2-14 N.P.T.  | 94      | 76020412 | Cotter Pin 1/8 x 3/4                            |
| 41      | 17580520 | Bolt, Hex 5/16-18 UNC x 1-1/4  | 96      | 194036   | Bolt Hex 5/16-18 x 1 Epoxy                      |
| 45      | 6271H    | Oil Seal   | 97      | 194121   | Lever Assembly ROS Gearshift                    |
| 46      | 13060200 | Pipe Plug 1/4-18 N.P.T.  | 98      | 184956   | Transaxle, 6 Speed, Complete Assembly           |
| 49      | 4895H    | Needle Bearing   | 99      | 193833   | Actuator, Shift Lever                           |
| 50      | 4222R    | Needle Bearing   |         |          |   |
| 51      | 1529R    | Needle Bearing   |         |          |   |

**NOTE:** All component dimensions given in U.S. inches  
1 inch = 25.4 mm

---

# SERVICE NOTES

---