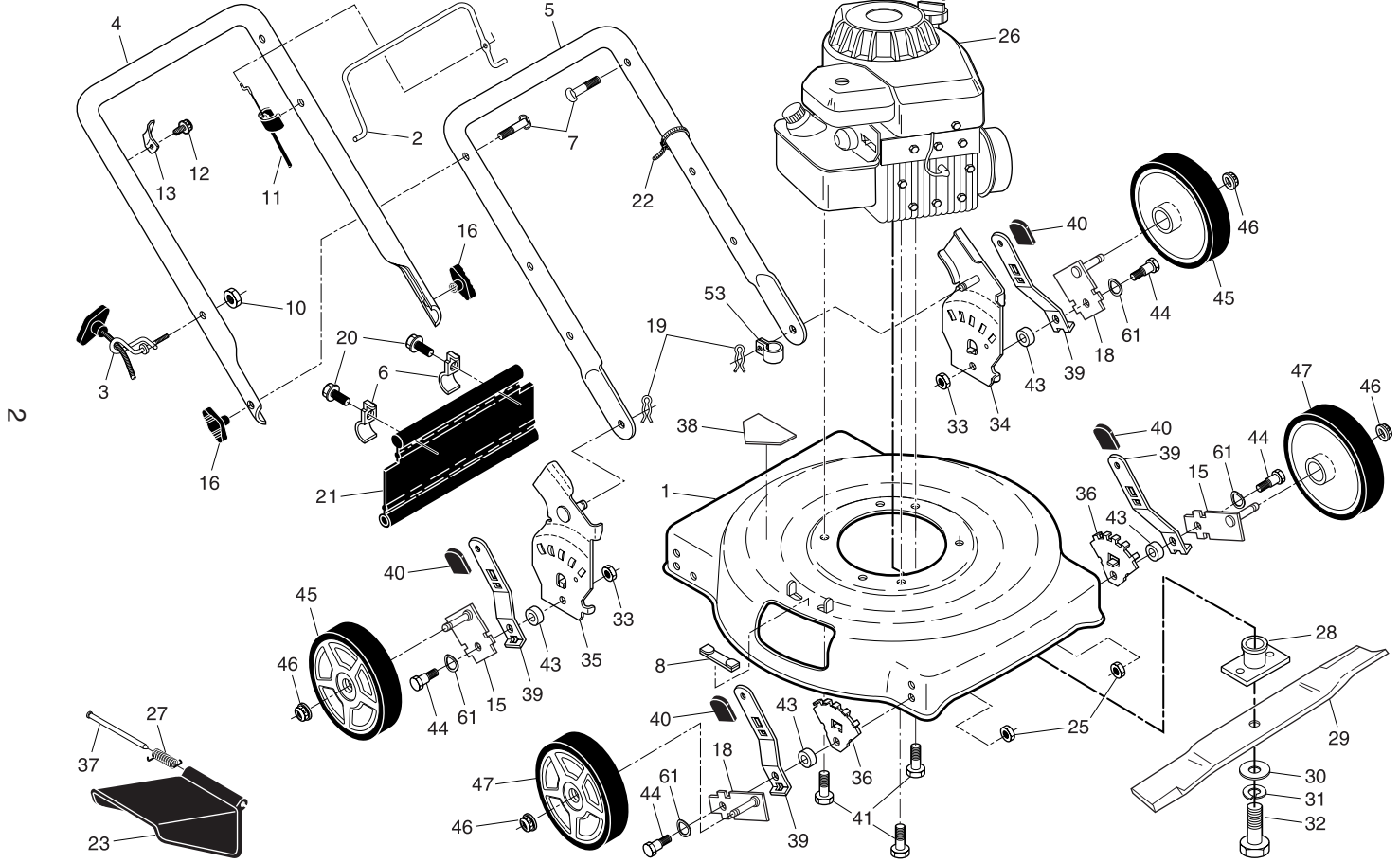


ROTARY LAWN MOWER - - MODEL NUMBER HU500N22S (MFG. ID. NUMBER 96112007600)



ROTARY LAWN MOWER - - MODEL NUMBER HU500N22S (MFG. ID. NUMBER 96112007600)

KEY NO.	PART NO.	DESCRIPTION	KEY NO.	PART NO.	DESCRIPTION
1	191231	Kit, Mower Housing (Includes Key Number 38)	28	851514	Blade Adapter
2	194177X428	Control Bar	29	406713	22" Blade
3	194788	Rope Guide	30	851074	Hardened Washer
4	194179X479	Upper Handle	31	850263	Helical Lockwasher 3/8
5	169708X479	Lower Handle	32	851084	Hex Head Screw 3/8-24 x 1/4 Grade 8
6	192301X004	Hinge Bracket	33	73930500	Nut, Hex, Centerlock 5/16-18
7	191574	Handle Bolt 5/16-18	34	400781X479	Handle Bracket, LH
8	161622	Clip, Closeout	35	400782X479	Handle Bracket, RH
10	132004	Locknut, Hex 1/4-20	36	407494X005	Adjuster, Wheel Bracket
11	158152	Engine Zone Control Cable	37	160833	Hinge Rod
12	750634	Screw, Hex Head, Threaded, Rolled #10-24 x1/2	38	404763	Danger Decal
13	86899X004	Up-Stop Bracket	39	401621X004	Selector Spring
15	401174X004	Axle Arm Assembly (RH Rear / LH Front)	40	87877	Selector Knob
16	189713X428	Handle Knob	41	150406	Screw, Hex Head, Threaded, Rolled 3/8-16 x 1
18	401175X004	Axle Arm Assembly (RH Front / LH Rear)	43	401629	Spacer
19	51793	Hairpin Cotter	44	401638	Bolt, Shoulder 5/16-18 x 21/64
20	750097	Screw, Tapping, Hex Washer Head #10-24	45	193931X427	Wheel & Tire Assembly, Rear 7 x 1-3/4
21	413160	Rear Skirt	46	409148	Nut, Hex, Flangelock 3/8-16
22	66426	Wire Tie	47	193931X427	Wheel & Tire Assembly, Front 7 x 1-3/4
23	160831	Discharge Guard	53	197991	Clip, Cable
25	166785	Nut, Hex, Flangelock 5/16-18	61	401630	Washer, Curved
26	---	Engine, Briggs & Stratton, Model Number 10T502-1303-B1 (For engine service and replacement parts, call Briggs & Stratton at 1-800-233-3723)	--	404764	Warning Decal (not shown)
27	408585	Spring, Hinge	--	193732	Operator's Manual, English
			--	193735	Operator's Manual, Spanish
			--	425932	Repair Parts Manual

NOTE: All component dimensions given in U.S. inches. 1 inch = 25.4 mm.

IMPORTANT: Use only Original Equipment Manufacturer (O.E.M.) replacement parts. Failure to do so could be hazardous, damage your lawn mower and void your warranty.