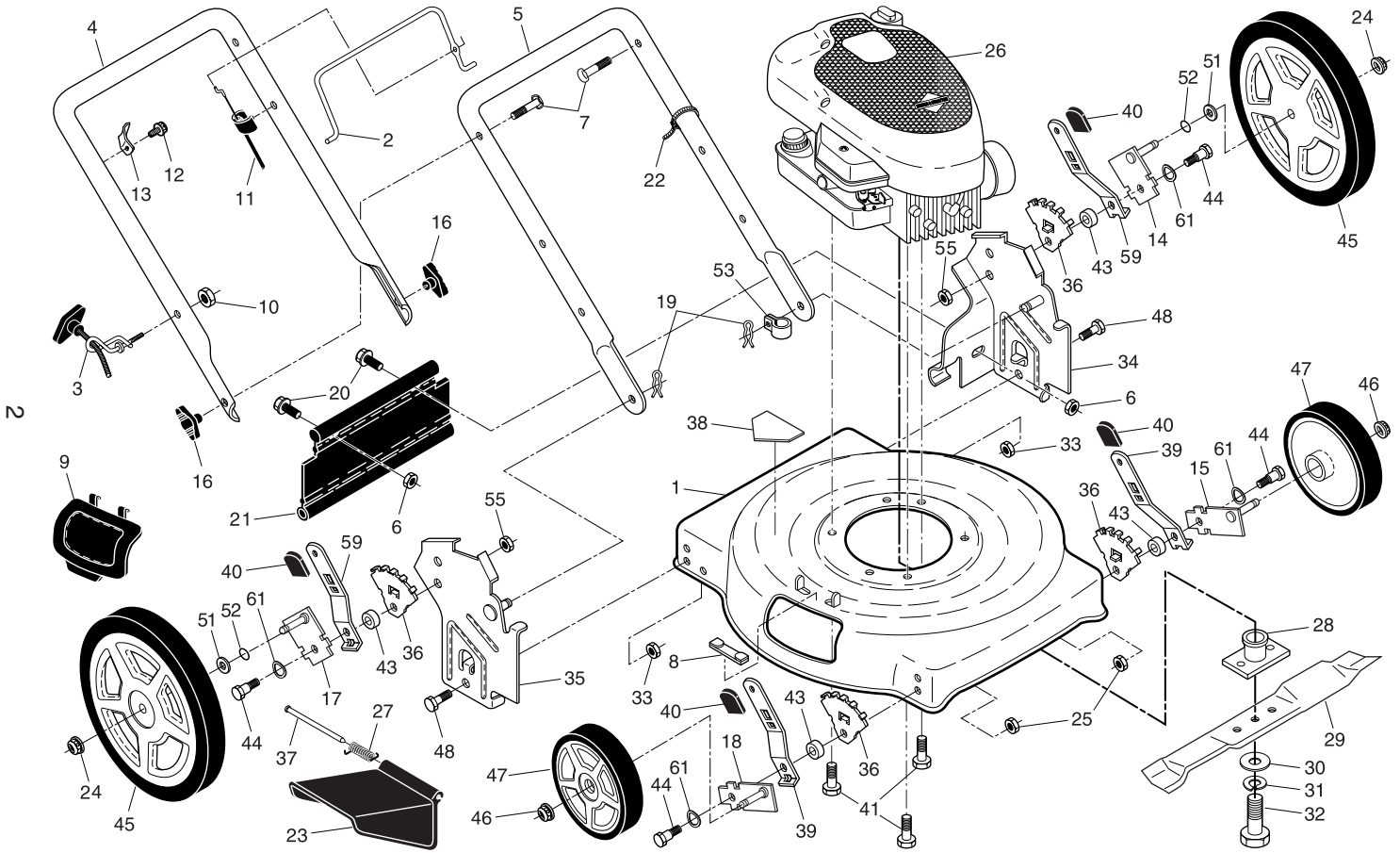


ROTARY LAWN MOWER - - MODEL NUMBER PR550N22SH (MFG. ID. NUMBER 96112008300)



ROTARY LAWN MOWER - - MODEL NUMBER PR550N22SH (MFG. ID. NUMBER 96112008300)

| KEY NO. | PART NO. | DESCRIPTION | KEY NO. | PART NO. | DESCRIPTION |
|---------|------------|--|---------|------------|--|
| 1 | 174266 | Lawn Mower Housing (Includes Key Number 38) | 28 | 193825 | Blade Adapter |
| 2 | 194177X421 | Control Bar | 29 | 406713 | 22" Blade |
| 3 | 194788 | Rope Guide | 30 | 851074 | Hardened Washer |
| 4 | 194179X479 | Upper Handle | 31 | 850263 | Helical Lockwasher 3/8 |
| 5 | 169708X479 | Lower Handle | 32 | 851084 | Screw, Hex Head, Grade 8, 3/8-24 x 1-3/8 |
| 6 | 73800400 | Locknut, Hex 1/4-20 | 33 | 73800500 | Nut, Hex, Nylock 5/16-18 |
| 7 | 191574 | Handle Bolt 5/16-18 | 34 | 193083X479 | Wheel Bracket Support, LH |
| 8 | 161622 | Clip, Closeout | 35 | 193082X479 | Wheel Bracket Support, RH |
| 9 | 160830 | Mulcher Plate | 36 | 407494X005 | Wheel Bracket Adjuster |
| 10 | 132004 | Nut, Hex 1/4-20 | 37 | 160833 | Hinge Rod |
| 11 | 183281 | Engine Zone Control Cable | 38 | 404763 | Danger Decal |
| 12 | 750634 | Hex Washer Head Screw #10-24 x 1/2 | 39 | 401621X004 | Selector Spring, Front |
| 13 | 429930X004 | Up-Stop Bracket | 40 | 170143 | Selector Knob |
| 14 | 401176X004 | Axle Arm Assembly, Rear, LH | 41 | 150406 | Screw, Hex Head, Threaded, Rolled 3/8-16 x 1 |
| 15 | 401174X004 | Axle Arm Assembly, Front, LH | 43 | 401629 | Spacer |
| 16 | 189713X428 | Handle Knob | 44 | 401638 | Shoulder Bolt 5/16-18 |
| 17 | 401177X004 | Axle Arm Assembly, Rear, RH | 45 | 193926X428 | Wheel & Tire Assembly, Rear, 12" |
| 18 | 401175X004 | Axle Arm Assembly, Front, RH | 46 | 409148 | Nut, Hex, Flangelock 3/8-16 |
| 19 | 51793 | Hairpin Cotter | 47 | 193931X428 | Wheel & Tire Assembly, Front, 7" |
| 20 | 74760412 | Screw, Hex Cap Head 1/4-20 | 48 | 74760514 | Bolt, Hex Head 5/16-18 |
| 21 | 413160 | Rear Deflector | 51 | 88348 | Washer, Flat 3/8 |
| 22 | 66426 | Wire Tie | 52 | 197480 | O-Ring |
| 23 | 160831 | Discharge Guard | 53 | 197991 | Clip, Cable |
| 24 | 409149 | Nut, Hex, Flangelock 3/8-16 | 55 | 751153 | Nut, Hex |
| 25 | 426589 | Nut, Hex, Flangelock 5/16-18 | 59 | 401624X004 | Selector Spring, Rear |
| 26 | --- | Engine, Briggs & Stratton, Model Number 10T802-1098-EA | 61 | 401630 | Washer, Curved, Cylindrical |
| 27 | 408585 | Torsion Spring | -- | 404764 | Warning Decal (not shown) |
| | | | -- | 193732 | Operator's Manual, English |
| | | | -- | 193734 | Operator's Manual, French |
| | | | -- | 430507 | Repair Parts Manual |

NOTE: All component dimensions given in U.S. inches. 1 inch = 25.4 mm. **IMPORTANT:** Use only Original Equipment Manufacturer (O.E.M.) replacement parts. Failure to do so could be hazardous, damage your lawn mower and void your warranty.