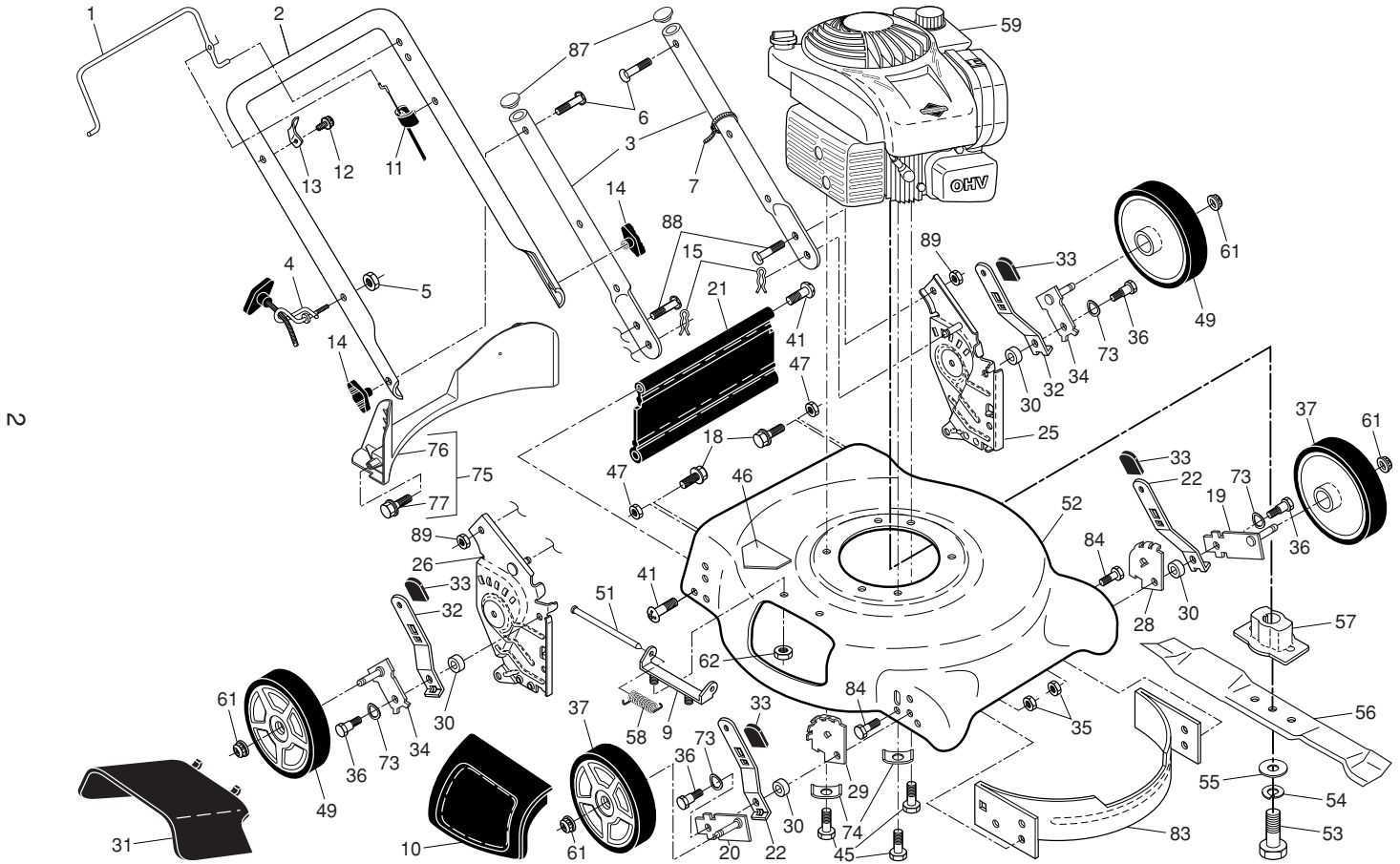


POULAN PRO ROTARY LAWN MOWER - MODEL NO. PR500N21S (MFG ID. NO. 96112012300)



POULAN PRO ROTARY LAWN MOWER - MODEL NO. PR500N21S (MFG ID. NO. 96112012300)

KEY NO.	PART NO.	DESCRIPTION	KEY NO.	PART NO.	DESCRIPTION	KEY NO.	PART NO.	DESCRIPTION
1	532 44 73-65	Control Bar	29	532 41 44-40	Wheel Adjusting Bracket, RH	58	532 15 21-24	Hinge Spring
2	532 44 82-63	Upper Handle	30	532 40 16-29	Spacer	59	---	Engine, Briggs & Stratton, Model Number 9P602-0019-F1 (For engine service and replacement parts, call Briggs & Stratton at 1-800-233-3723)
3	580 63 86-02	Bar, Lower Handle	31	532 16 57-60	Discharge Deflector	61	532 40 91-48	Flanged Locknut
4	532 19 47-88	Rope Guide	32	532 41 08-88	Selector Spring, Rear	62	873 80 04-00	Nut, Hex
5	532 13 20-04	Nut, Hex	33	532 08 78-77	Selector Knob	73	532 40 16-30	Washer, Curved, Cylindrical
6	532 19 15-74	Handle Bolt	34	532 41 08-90	Axle Arm Assembly, Rear	74	532 12 50-78	Washer, Special, Engine
7	532 06 64-26	Wire Tie	35	532 42 65-89	Locknut, Hex 5/16-18	75	532 41 36-93	Kit, Rear Baffle (Includes 3 Screws)
9	532 15 41-32	Hinge Bracket	36	532 40 16-38	Shoulder Bolt 5/16-18	76	532 41 05-89	Baffle, Rear
10	532 16 57-54	Mulcher Door	37	532 43 05-01	Wheel & Tire Assembly, Front, 7 x 1-3/4	77	817 41 13-12	Screw, Rear Baffle
11	532 44 09-34	Engine Zone Control Cable	41	532 19 41-86	Screw, Hinge	83	532 42 85-01	Baffle, Front
12	532 17 88-48	Hex Washer Head Screw #10-16 x 5/8	45	532 15 04-06	Hex Head Thread Rolling Screw 3/8-16 x 1	84	817 00 05-10	Screw, Hex Head 5/8-16
13	532 43 00-34	Up-Stop Bracket	51	532 14 72-86	Hinge Rod	87	532 43 75-16	Plug, Handle Bar
14	532 19 19-38	Handle Knob	52	581 70 83-03	Kit, Housing (Includes #46)	88	872 25 05-05	Bolt, Carriage
15	532 05 17-93	Hairpin Cotter	53	532 85 10-84	Screw, Hex Head, Grade 8 3/8-24 x 1-3/8	89	873 97 05-00	Nut, Hex
18	817 60 04-06	Screw	54	532 85 02-63	Helical Lockwasher	--	532 40 47-64	Warning Decal (not shown)
19	532 40 66-89	Axle Arm Assembly, Front, LH	55	532 85 10-74	Hardened Washer	--	532 19 37-32	Operator's Manual, English
20	532 40 66-90	Axle Arm Assembly, Front, RH	56	532 40 67-12	21" Blade	--	532 19 37-34	Operator's Manual, French
21	532 41 68-60	Kit, Rear Skirt	57	532 85 09-77	Blade Adapter	--	532 19 37-35	Operator's Manual, Spanish
22	532 40 64-28	Selector Spring, Front				--	581 71 53-27	Repair Parts Manual
25	581 71 45-02	Handle Bracket, LH						
26	581 71 46-02	Handle Bracket, RH						
28	532 41 44-41	Wheel Adjusting Bracket, LH						

NOTE: All component dimensions given in U.S. inches. 1 inch = 25.4 mm.

IMPORTANT: Use only Original Equipment Manufacturer (O.E.M.) replacement parts. Failure to do so could be hazardous, damage your lawn mower and void your warranty.