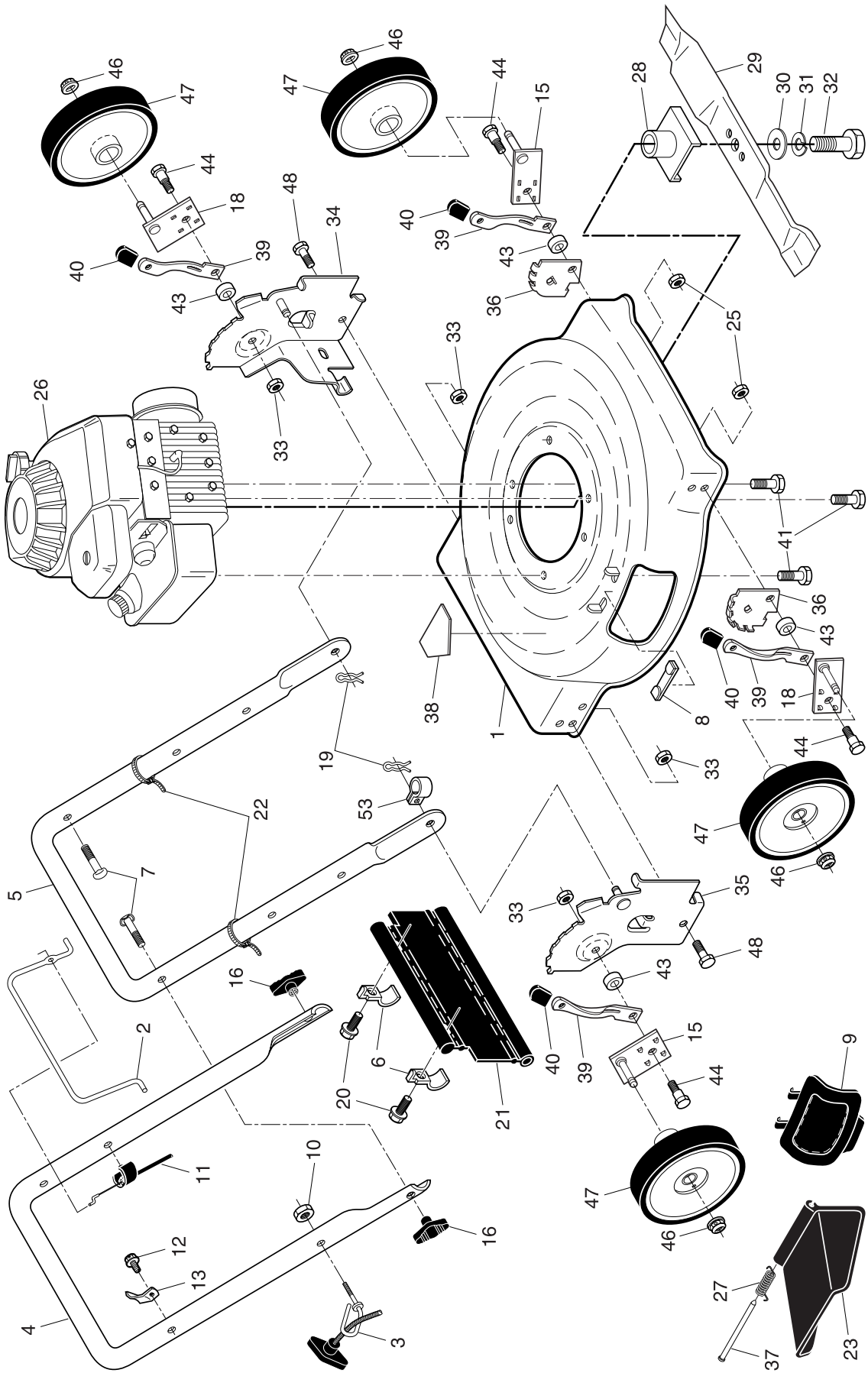


ROTARY LAWN MOWER -- MODEL NUMBER 96114000300



ROTARY LAWN MOWER - - MODEL NUMBER 96114000300

KEY NO.	PART NO.	DESCRIPTION	KEY NO.	PART NO.	DESCRIPTION
1	161657	Lawn Mower Housing Assembly (Includes Key Number 38)	28	851514	Blade Adapter
2	194177X428	Control Bar	29	141114	22" Blade
3	179585	Rope Guide	30	851074	Hardened Washer
4	194179X479	Upper Handle	31	850263	Helical Lockwasher 3/8
5	169708X479	Lower Handle	32	851084	Hex Head Screw 3/8-24 x 1/4 Grade 8
6	87584X004	Hinge Bracket	33	73930500	Nut, Hex, Centerlock 5/16-18
7	191574	Handle Bolt 5/16-18	34	168164X479	Support, Wheel Bracket, LH
8	161622	Clip, Closeout	35	168165X479	Support, Wheel Bracket, RH
9	160830	Mulcher Plate	36	160835X007	Adjuster, Wheel Bracket
10	132004	Locknut, Hex 1/4-20	37	160833	Hinge Rod
11	158152	Engine Zone Control Cable	38	141846	Danger Decal
12	750634	Screw, Hex Head, Threaded, Rolled #10-24 x1/2	39	168360X004	Selector Spring
13	86899X004	Up-Stop Bracket	40	87877	Selector Knob
15	186577X004	Axle Arm Assembly (Rear, RH / Front, LH)	43	183901	Washer
16	189713X428	Handle Knob	44	160828	Shoulder Bolt
18	186578X004	Axle Arm Assembly (Rear, LH / Front, RH)	46	83923	Locknut, Hex 3/8-16
19	51793	Hairpin Cotter	47	189483	Wheel & Tire Assembly
20	750097	Screw	48	17600406	Screw, Hex Head, Serrated, Type TT 1/4 x 20
21	188987	Rear Deflector	41	150406	Screw, Hex Head, Threaded, Rolled 3/8-16 x 1
22	66426	Wire Tie	53	192770	Clip, Cable
23	160831	Discharge Guard	--	161058	Warning Decal (not shown)
25	166785	Nut, Hex	--	193732	Operator's Manual, English
26	---	Engine, Briggs & Stratton, Model Number 10H902 (Order Parts from Engine Manufacturer)	--	193735	Operator's manual, Spanish
		Torsion Spring	--	195590	Repair Parts Manual
27	193436				

NOTE: All component dimensions given in U.S. inches.
1 inch = 25.4 mm

IMPORTANT: Use only Original Equipment Manufacturer (O.E.M.) replacement parts. Failure to do so could be hazardous, damage your lawn mower and void your warranty.