

### LIMITED WARRANTY

The Manufacturer warrants to the original consumer purchaser that this product as manufactured is free from defects in materials and workmanship. For a period of two (2) years from date of purchase by the original consumer purchaser, we will repair or replace, at our option, without charge for parts or labor incurred in replacing parts, any part which we find to be defective due to materials or workmanship. This Warranty is subject to the following limitations and exclusions.

1. This warranty does not apply to the engine, transaxle/transmission components, battery (except as noted below) or components parts thereof. Please refer to the applicable manufacturer's warranty on these items.
2. Transportation charges for the movement of any power equipment unit or attachment are the responsibility of the purchaser. Transportation charges for any parts submitted for replacement under this warranty must be paid by the purchaser unless such return is requested by the manufacturer.
3. Battery Warranty: On products equipped with a Battery, we will replace, without charge to you, any battery which we find to be defective in manufacture, during the first ninety (90) days of ownership. After ninety (90) days, we will exchange the Battery, charging you 1/12 of the price of a new Battery for each full month from the date of the original sale. Battery must be maintained in accordance with the instructions furnished.
4. The Warranty period for any products used for rental or commercial purposes is limited to 45 days from the date of original purchase.
5. This Warranty applies only to products which have been properly assembled, adjusted, operated, and maintained in accordance with the instructions furnished. This Warranty does not apply to any product which has been subjected to alteration, misuse, abuse, improper assembly or installation, delivery damage, or to normal wear of the product.
6. Exclusions: Excluded from this Warranty are belts, blades, blade adapters, normal wear, normal adjustments, standard hardware and normal maintenance.
7. In the event you have a claim under this Warranty, you must return the product to an authorized service dealer.

Should you have any unanswered questions concerning this Warranty, contact:

Weed Eater  
Customer Service Department  
9335 Harris Corners Parkway  
Charlotte, NC 28269 USA

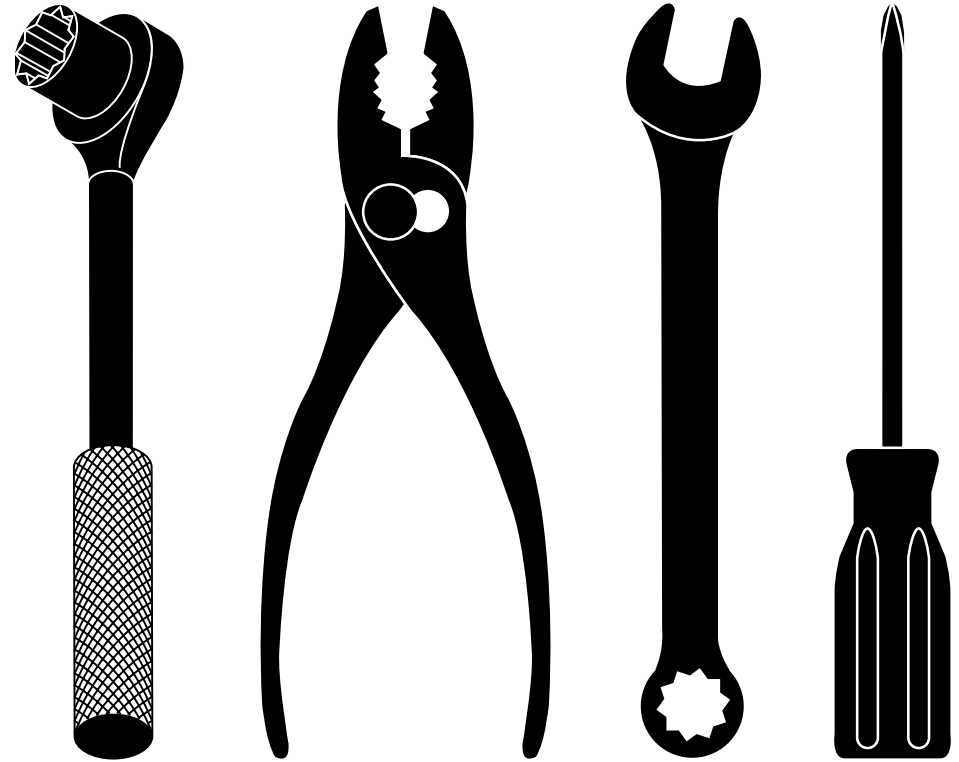
In Canada contact:  
Weed Eater  
Customer Service Department  
5855 Terry Fox Way  
Mississauga, Ontario L5V 3E4

giving the model number, serial number and date of purchase of your product and the name and address of the authorized dealer from whom it was purchased.

**THIS WARRANTY DOES NOT APPLY TO INCIDENTAL OR CONSEQUENTIAL DAMAGES AND ANY IMPLIED WARRANTIES ARE LIMITED TO THE SAME TIME PERIODS STATED HEREIN FOR OUR EXPRESSED WARRANTIES.**

Some areas do not allow the limitation of consequential damages or limitations of how long an implied Warranty may last, so the above limitations or exclusions may not apply to you. This Warranty gives you specific legal rights, and you may have other rights which vary from locale to locale.

This is a limited Warranty within the meaning of that term as defined in the Magnuson-Moss Act of 1975.



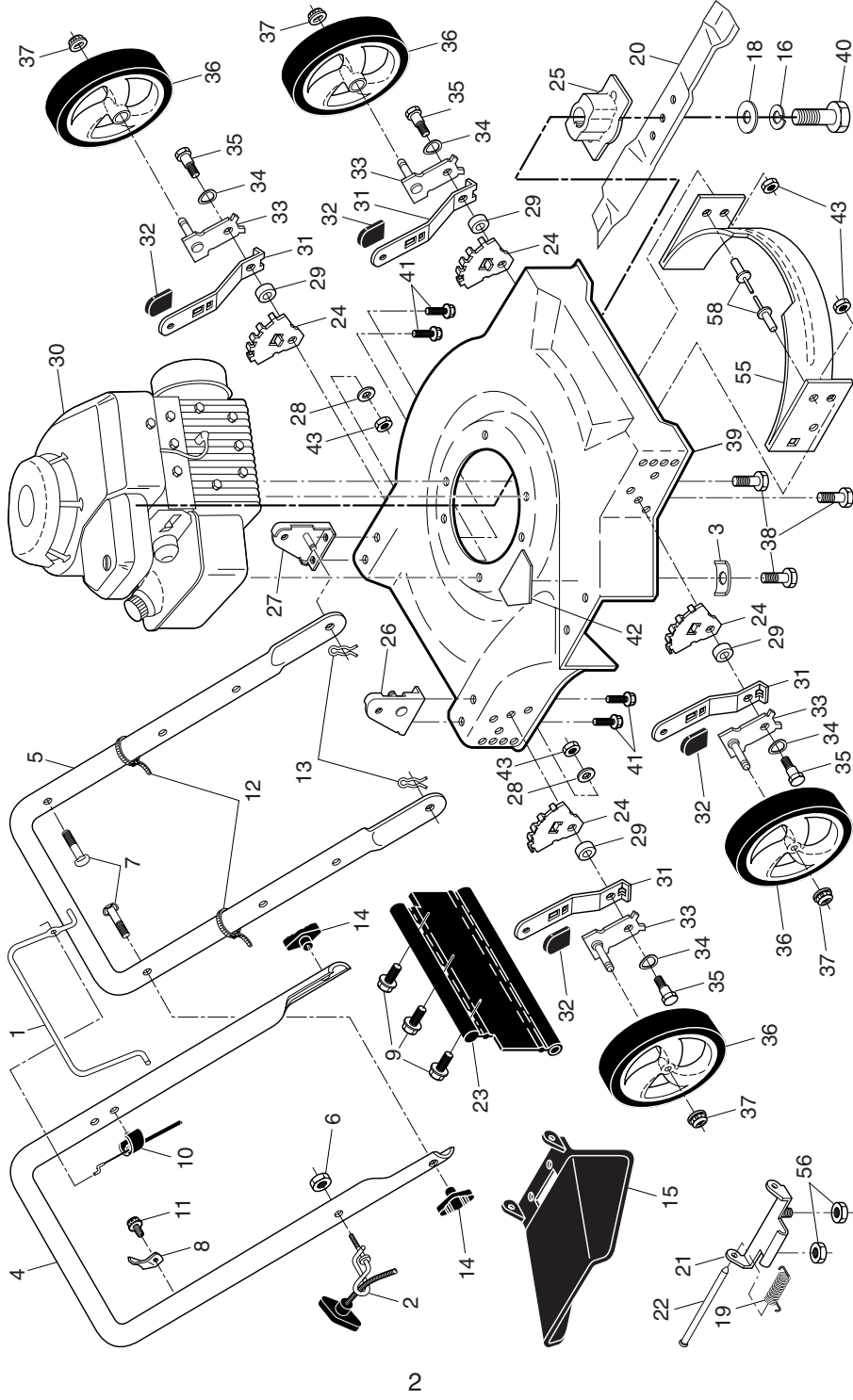
## REPAIR PARTS MANUAL MODEL NO. 96114001407 Rotary Lawn Mower

For Parts and Service or Technical Assistance, call 1-800-661-6662

# WEED EATER®

# WEED EATER®

# WEED EATER ROTARY LAWN MOWER -- MODEL NUMBER 96114001407



2

# WEED EATER ROTARY LAWN MOWER -- MODEL NUMBER 96114001407

KEY PART NO. NO.	DESCRIPTION	KEY PART NO. NO.	DESCRIPTION
1	Control Bar	27	Handle Bracket Assembly, LH
2	Rope Guide	28	Washer, Flat
3	Engine Washer	29	Spacer
4	Upper Handle	30	Engine, Briggs & Stratton, Model Number 9S502-1019-B1 (For engine service and replacement parts, call Briggs & Stratton at 1-800-233-3723)
5	Lower Handle	31	Selector Spring
6	Nut, Hex	32	Selector Knob
7	Handle Bolt 5/16-18 x 1-3/4	33	Axle Arm Assembly
8	Up-Stop Bracket	34	Washer, Curved, Cylindrical
9	Screw, Hex Washer Head #10-24 x 1/2	35	Shoulder Bolt
10	Engine Zone Control Cable	36	Wheel and Tire Assembly
11	Screw	37	Nut, Hex
12	Wire Tie	38	Hex Head Thread Rolling Screw 3/8-16 x 1-1/8
13	Hairpin Cotter	39	Lawn Mower Housing
14	Knob, Handle	40	Hex Head Screw 3/8-24 x 1-3/8 Grade 8
15	Discharge Guard	41	Thread Cutting Screw 5/16-18 x 3/4
16	Helical Lock Washer 3/8	42	Danger Decal
18	Hardened Washer	43	Locknut, Hex 3/8-16
19	Torsion Spring	55	Baffle, Front
20	Blade, 20"	56	Locknut, Hex 1/4-20
21	Hinge Deflector	58	Pop Rivet
22	Hinge Rod	--	Warning Decal (not shown)
23	Rear Deflector	--	Operator's Manual, English
24	Wheel Adjusting Bracket	--	Operator's Manual, Spanish
25	Blade Adapter	--	Repair Parts Manual, English
26	Handle Bracket Assembly, RH		

3

**IMPORTANT:** Use only Original Equipment Manufacturer (O.E.M.) replacement parts. Failure to do so could be hazardous, damage your lawn mower and void your warranty.

**NOTE:** All component dimensions given in U.S. inches. 1 inch = 25.4 mm.