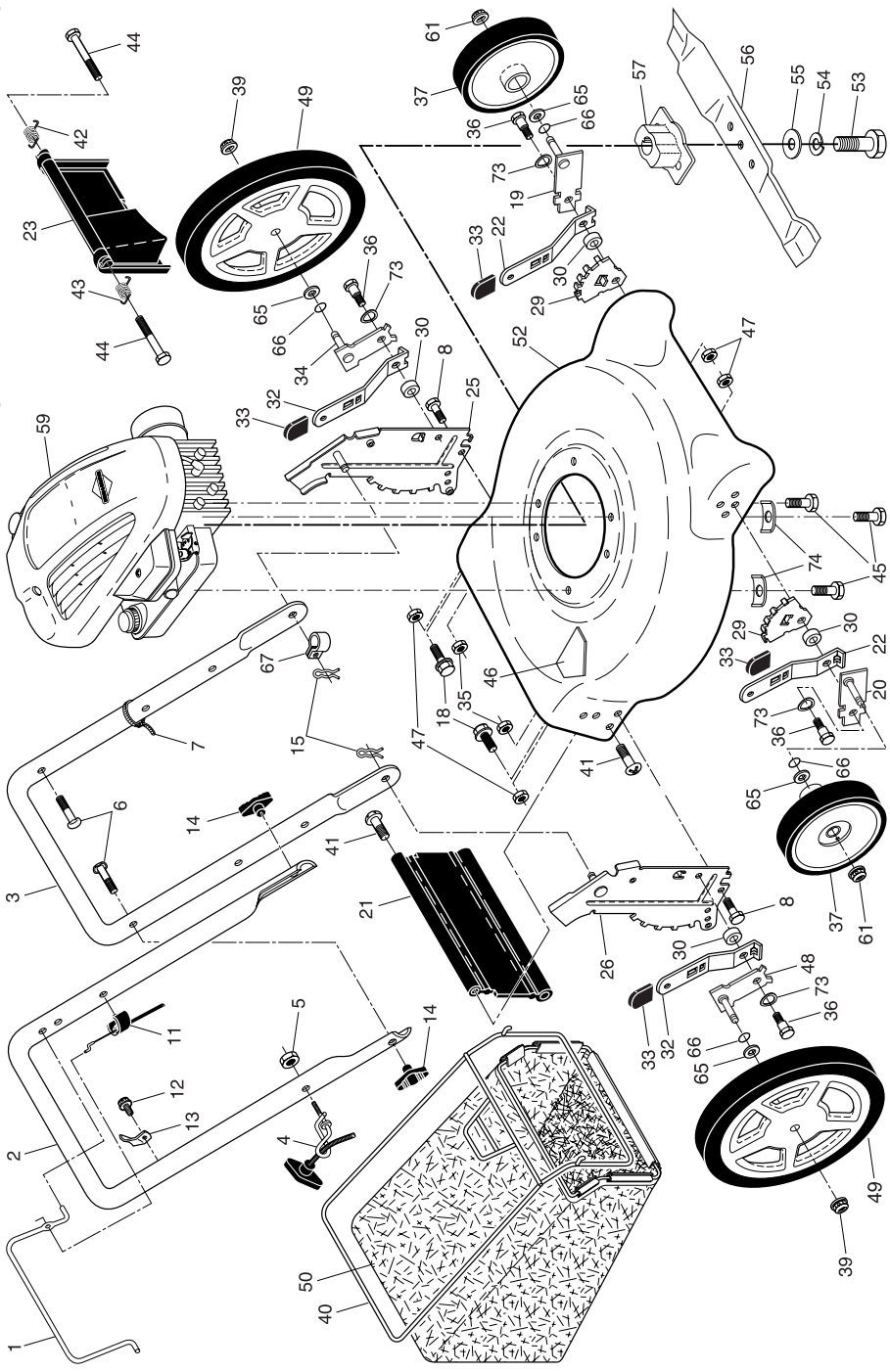


ROTARY LAWN MOWER -- MODEL NUMBER PO500N21RHX (MFG. ID. NO. 96132002800)



ROTARY LAWN MOWER -- MODEL NUMBER PO500N21RHX (MFG. ID. NO. 96132002800)

KEY NO.	PART NO.	DESCRIPTION	KEY NO.	PART NO.	DESCRIPTION	KEY NO.	PART NO.	DESCRIPTION
1	194177X428	Control Bar	28	407500X005	Wheel Adjusting Bracket, Front, LH	49	183926X427	Wheel & Tire Assembly, Rear 12 x 1-3/4
2	194179X479	Upper Handle	29	407499X005	Wheel Adjusting Bracket, Front, RH	50	402263	Grassbag
3	169708X479	Lower Handle	30	401629	Spacer	52	410180	Housing Assembly (Includes Key #17, 18 & 46)
4	194788	Rope Guide	32	401624X004	Selector Spring, Rear	53	851084	Hex Head Screw 3/8-24 x 1-3/8 Grade 8
5	132004	Nut, Hex	33	87877	Selector Knob	54	850263	Helical Lockwasher
6	191574	Handle Bolt	34	401176X004	Axle Arm Assembly, Rear, LH	55	851074	Hardened Washer
7	66426	Wire Tie	35	751153	Nut, Hex	56	406712	21" Blade
8	74780512	Bolt, Hex Head 5/16-18 x 3/4	36	401638	Shoulder Bolt 5/16-18	57	193825	Blade Adapter
11	176556	Engine Zone Control Cable	37	193931X427	Wheel & Tire Assembly, Front 7 x 1-3/4	59	- - -	Engine, Briggs & Stratton, Model Number 10T502
12	750634	Hex Washer Head Screw #10-24 x 1/2	39	145212	Nut, Hex			
13	86899X004	Up-Stop Bracket	40	401808	Frame, Grassbag			
14	189713X428	Handle Knob	41	88652	Screw, Hinge			
15	51793	Hairpin Cotter	42	405421	Spring, LH			
18	17600406	Screw	43	405423	Spring, RH			
19	401174X004	Axle Arm Assembly, Front, LH	44	184193	Bolt, Rear Door			
20	401175X004	Axle Arm Assembly, Front, RH	45	150406	Hex Head Thread Rolling Screw 3/8-16 x 1			
21	189008	Rear Skirt	46	404763	Danger Decal	61	83923	Flanged Locknut
22	401621X004	Selector Spring, Front	47	166785	Locknut, Hex 5/16-18	65	86348	Washer, Flat
23	401814X004	Rear Door Assembly	48	401177X004	Axle Arm Assembly, Rear, RH	66	197480	O-Ring
25	400267X479	Handle Bracket Assembly, LH				67	197991	Clip, Cable
26	400268X479	Handle Bracket Assembly, RH				73	401630	Washer, Curved, Cylindrical
						74	851202X004	Washer, Special, Engine
						- -	404764	Warning Decal (not shown)
						- -	193732	Operator's Manual, English
						- -	193734	Operator's Manual, French
						- -	411991	Repair Parts Manual

NOTE: All component dimensions given in U.S. inches. 1 inch = 25.4 mm.

IMPORTANT: Use only Original Equipment Manufacturer (O.E.M.) replacement parts. Failure to do so could be hazardous, damage your lawn mower and void your warranty.