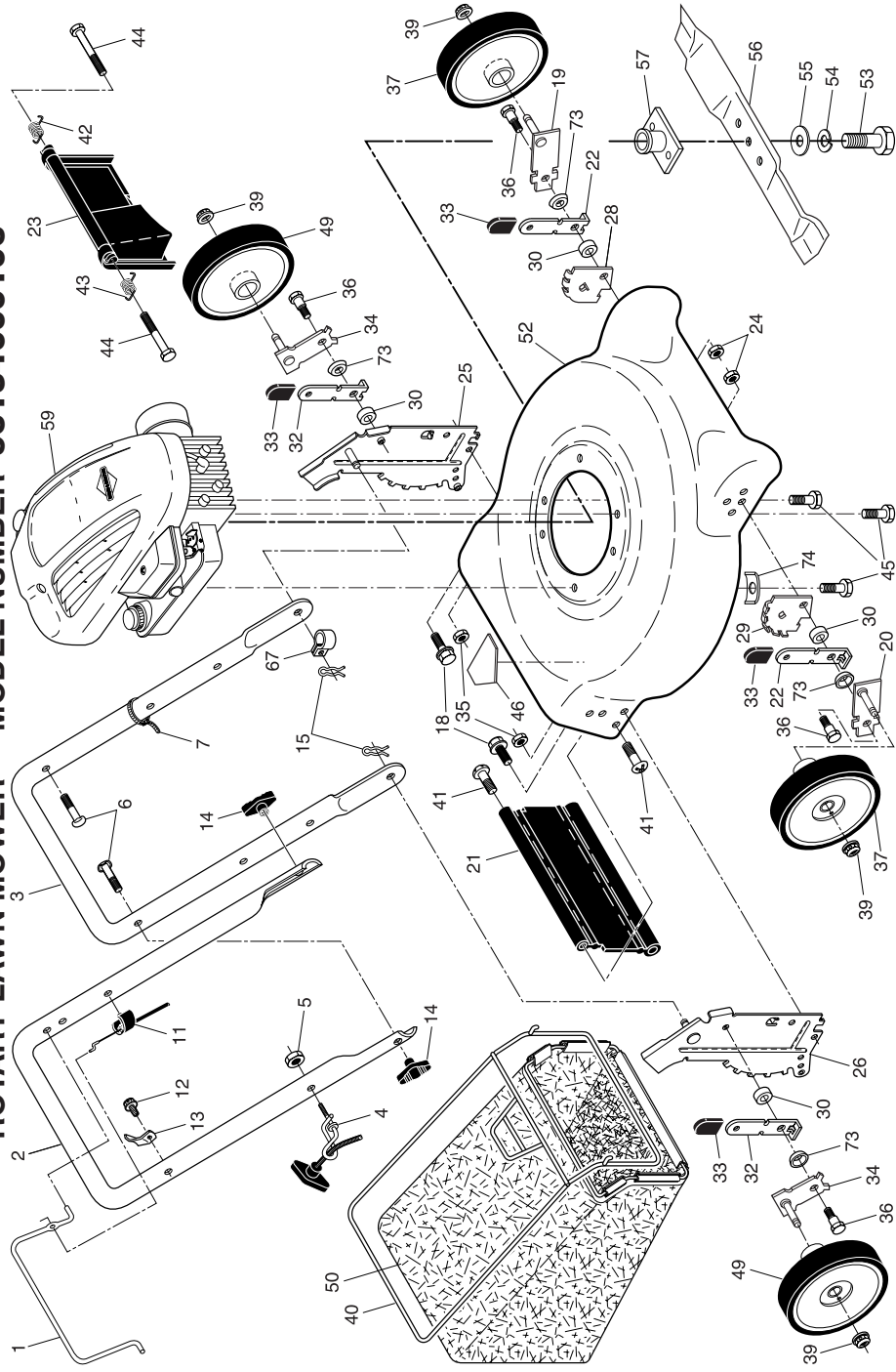


ROTARY LAWN MOWER -- MODEL NUMBER 96134000106



2

ROTARY LAWN MOWER -- MODEL NUMBER 96134000106

KEY PART NO.	DESCRIPTION
1	194177X428 Control Bar
2	194179X479 Upper Handle
3	169708X479 Lower Handle
4	194788 Rope Guide
5	132004 Nut, Hex
6	191574 Handle Bolt
7	66426 Wire Tie
11	176556 Engine Zone Control Cable
12	750634 Hex Washer Head Screw
13	86899X004 Up-Stop Bracket
14	189713X428 Handle Knob
15	51793 Hairpin Cotter
18	17600406 Screw 1/4-20 x 3/8
19	401174X004 Axle Arm Assembly, Front, LH
20	401175X004 Axle Arm Assembly, Front, RH
21	188987 Rear Skirt
22	401621X004 Selector Spring, Front
23	401814X428 Rear Door Assembly
24	166785 Locknut, Hex
25	400623X479 Handle Bracket Assembly, LH
26	400624X479 Handle Bracket Assembly, RH
28	407500X007 Wheel Adjusting Bracket, Front, LH
29	407499X007 Wheel Adjusting Bracket, Front, RH
30	401629 Spacer
32	401623X004 Selector Spring, Rear
33	87877 Selector Knob
34	401173X004 Axle Arm Assembly, Rear
35	739305000 Locknut 5/16-18

3

KEY PART NO.	DESCRIPTION
36	401638 Shoulder Bolt 5/16-18
37	410591 Wheel & Tire Assembly, Front
39	83923 Flanged Locknut
40	401808 Frame, Grass Bag
41	88652 Hinge Screw
42	405421 Spring, Rear Door, LH
43	405423 Spring, Rear Door, RH
44	184193 Bolt, Rear Skirt
45	150406 Hex Head Thread Rolling Screw 3/8-16 x 1
46	404763 Danger Decal
49	189483 Wheel & Tire Assembly, Rear
50	401737 Grass Bag
52	409775 Housing Assembly (Includes Key Numbers 17, 18 and 46)
53	851084 Hex Head Screw 3/8-24 x 1-3/8 Grade 8
54	850263 Helical Lockwasher
55	851074 Hardened Washer
56	189028 21" Blade
57	193825 Blade Adapter
59	---
67	197991 Engine, Briggs & Stratton, Model Number 10T802 (for engine service and replacement parts, call Briggs & Stratton at 1-800-233-3723)
73	401630 Clip, Cable
74	851201X004 Washer, Curved
--	404764 Washer, Special, Engine
--	193732 Warning Decal (not shown)
--	193732 Operator's Manual, English
--	193735 Operator's Manual, Spanish
--	410944 Repair Parts Manual

IMPORTANT: Use only Original Equipment Manufacturer (O.E.M.) replacement parts. Failure to do so could be hazardous, damage your lawn mower and void your warranty.

NOTE: All component dimensions given in U.S. inches. 1 inch = 25.4 mm.