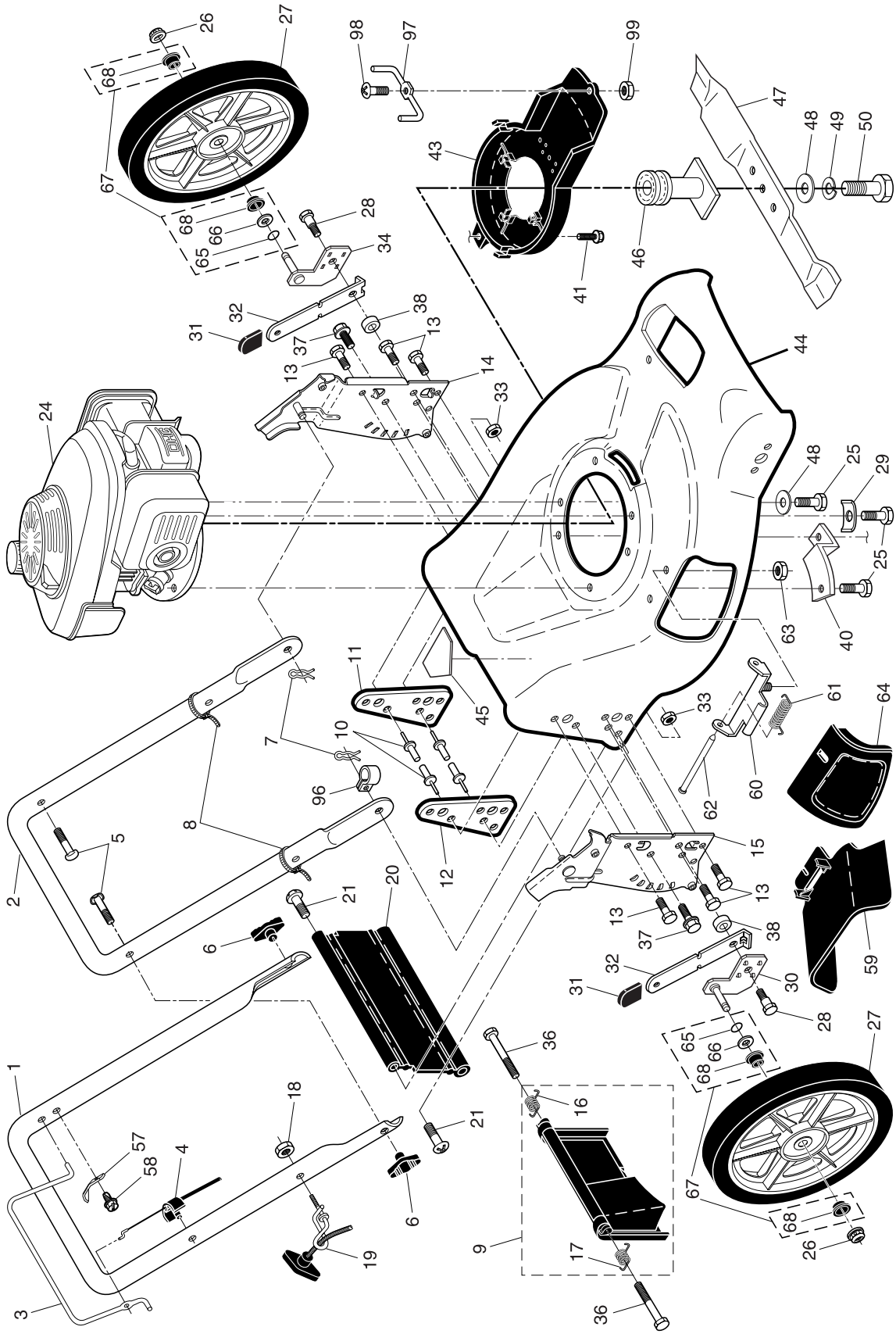


ROTARY LAWN MOWER -- MODEL NUMBER XT55Y21RH (MFG. ID. NUMBER 96142001601)



ROTARY LAWN MOWER - - MODEL NUMBER XT55Y21RH (MFG. ID. NUMBER 96142001601)

KEY NO.	PART NO.	DESCRIPTION	KEY NO.	PART NO.	DESCRIPTION
1	194579X479	Upper Handle	34	180412X004	Axle Arm Assembly, Rear, LH
2	151721X479	Lower Handle	36	184193	Bolt, Rear Door
3	194580X428	Control Bar	37	150078	Screw
4	183567	Engine Zone Control Cable	38	19112206	Washer, Flat .34 x 1.38
5	191574	Handle Bolt	40	188839X004	Mounting Bracket, Debris Shield
6	189713X428	Handle Knob	41	192325	Screw, Debris Shield
7	51793	Hairpin Cotter	43	198910	Debris Shield
8	66426	Wire Tie	44	197713	Kit, Housing (Includes Key Numbers 10, 11, 12 and 45)
9	180479	Kit, Rear Door (Includes Key Numbers 16 and 17)	45	107339X	Danger Decal
10	128415	Pop Rivet	46	194037	Blade Adapter / Pulley
11	175069X479	Support Bracket, LH	47	189028	Blade, 21"
12	175070X479	Support Bracket, RH	48	851074	Hardened Washer
13	17060410	Screw 1/4-20 x 5/8	49	850263	Helical Washer 3/8
14	181017X479	Handle Bracket Assembly, LH	50	851084	Blade Bolt, Hex Head, Grade 8
15	181016X479	Handle Bracket Assembly, RH	57	860733X004	Bracket, Upstop
16	180071	Spring, Rear Door, LH	58	750634	Screw
17	180072	Spring, Rear Door, RH	59	175071	Discharge Deflector
18	132004	Keys Locknut 1/4-20	60	175735	Hinge Bracket
19	194788	Rope Guide	61	193000	Spring
20	189005	Rear Skirt	62	175650	Rod, Hinge
21	88652	Hinge Screw 1/4-20 x 1-1/4	63	73800400	Nut, Hex
24	---	Engine, Honda, Model Number GCV160 (For engine service and replacement parts, call Honda Engines at 1-800-426-7701)	64	175066	Mulcher Door
25	150406	Screw, Hex Head, Threaded, Rolled 3/8-16 x 2	65	188152	O-Ring
26	83923	Nut, Hex, Flangelock 3/8-16	66	88348	Washer, Flat 3/8
27	190013	Wheel & Tire Assembly, Rear, 14"	67	193498	Kit, Bushing, High Wheel
28	160828	Bolt, Shoulder 5/16-18	68	193028X428	Bushing, Nylon, Black
29	851201X004	Washer, Engine, Zinc-Plated	96	192770	Clip, Cable
30	180411X004	Axle Arm Assembly, Rear, RH	97	197162	Belt Keeper
31	175477	Selector Knob	98	182227	Screw
32	175053X004	Selector Spring	99	182228	Nut, Hex
33	73800500	Nut, Hex, Nylock 5/16-18	--	162300	Warning Decal (not shown)
			--	193733	Operator's Manual, English
			--	193736	Operator's Manual, French
			--	199030	Repair Parts Manual, English / French

NOTE: All component dimensions given in U.S. inches. 1 inch = 25.4 mm.

IMPORTANT: Use only Original Equipment Manufacturer (O.E.M.) replacement parts. Failure to do so could be hazardous, damage your lawn mower and void your warranty.

ROTARY LAWN MOWER - - MODEL NUMBER XT55Y21RH (MFG. ID. NUMBER 96142001601)

KEY NO.	PART NO.	DESCRIPTION	KEY NO.	PART NO.	DESCRIPTION
1	196178	Drive Control Assembly (Includes Cable)	36	188296	Gear Case Assembly, Complete
2	195745	Cover, Top	38	73800400	Locknut 1/4-20
3	187353	Pulley	40	192849	Spring
4	188281	Lever, Drive Control	41	195107	Kit, Wheel Adjuster, RH (Includes Knob and Bearing)
5	195744	Cover, Bottom	54	195450	Grassbag Assembly
6	181698	Screw #8 x .62	55	175739	Driveshaft Cover
7	184212X479	Mounting Bracket	57	194643	Frame, Grassbag
8	184987	Cap, Bottom	61	196886	Case, Upper
9	196180	Cable, Drive	62	196885	Shaft, Output
10	196779	Decal, Drive Control Operation	63	183508	Seal, Output Shaft
11	180776	Wheel & Tire Assembly, Front	64	183511	Bushing
12	12000058	E-Ring	65	183509	Washer
13	750003	Pinion	66	183514	Seal, Worm Shaft
14	189403	Dust Cover	67	183506	Bearing, Ball
15	191017	Pawl, Drive	68	183499	Gear, 27 Teeth
16	67725	Washer 1/2 x 1-1/2 x .134	69	196884	Fixed Dog Clutch
17	191039	Bearing, Wheel Adjuster	70	183505	Wireform
18	87877	Selector Knob	71	196883	Movable Dog Clutch
25	198897X004	Keeper, Belt	72	196882	Fork
26	150078	Screw	73	183513	Screw, Case
27	175262	Pan Head Tapping Screw #10-24 x 2-3/4	74	196881	Case, Lower
28	181467	Drive Cover	75	196880	Seal, Lever
29	196853	V-Belt	76	196879	Lever
30	77400	Hubcap	77	196878	Screw, Lever
32	194018	Drive Pulley	78	196877	Spring
33	145212	Locknut	79	183502	Shaft, Worm
35	195110	Kit, Wheel Adjuster, LH (Includes Knob and Bearing)			

NOTE: All component dimensions given in U.S. inches. 1 inch = 25.4 mm.

IMPORTANT: Use only Original Equipment Manufacturer (O.E.M.) replacement parts. Failure to do so could be hazardous, damage your lawn mower and void your warranty.