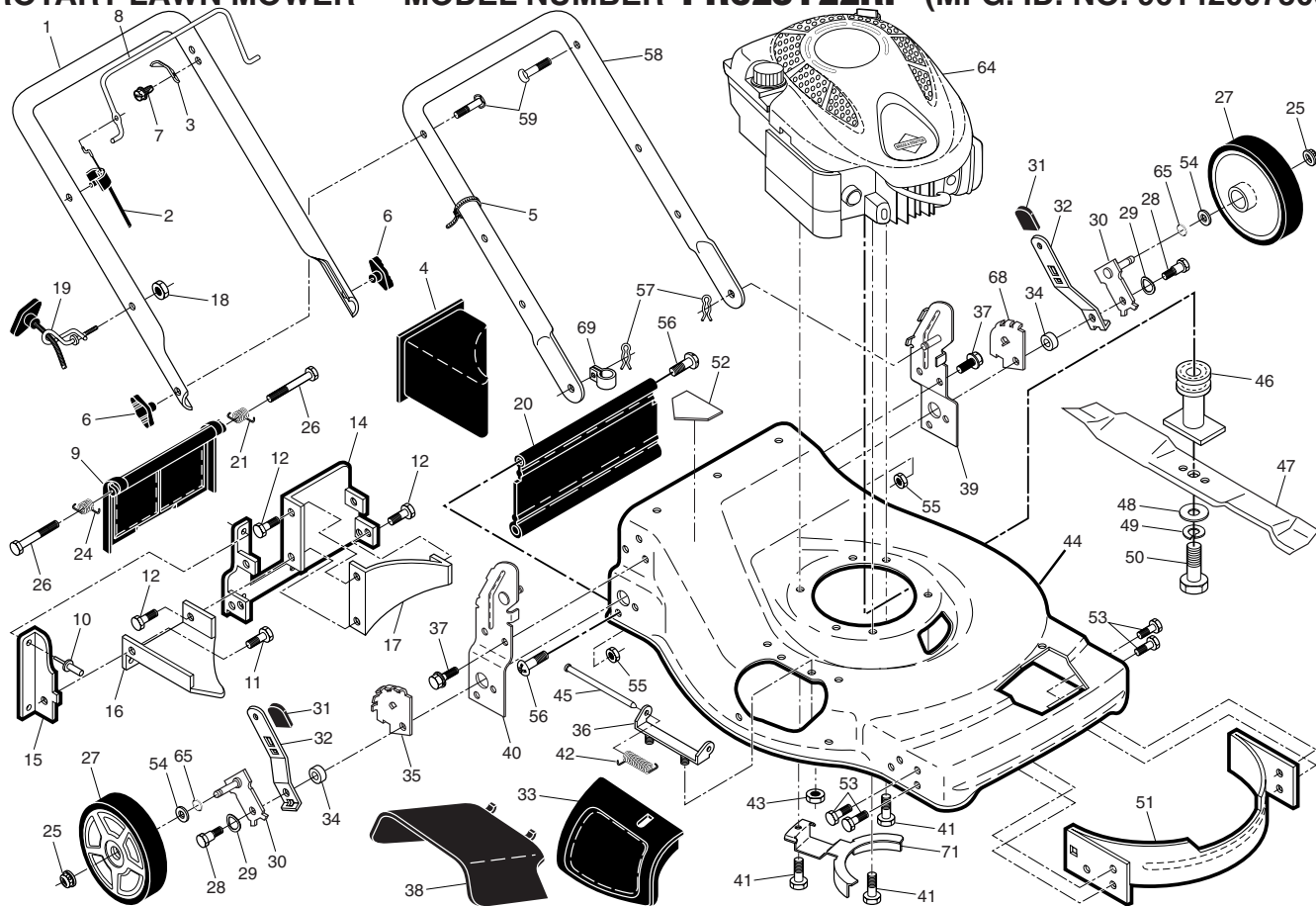


ROTARY LAWN MOWER -- MODEL NUMBER PR625Y22RP (MFG. ID. NO. 96142007300)

2



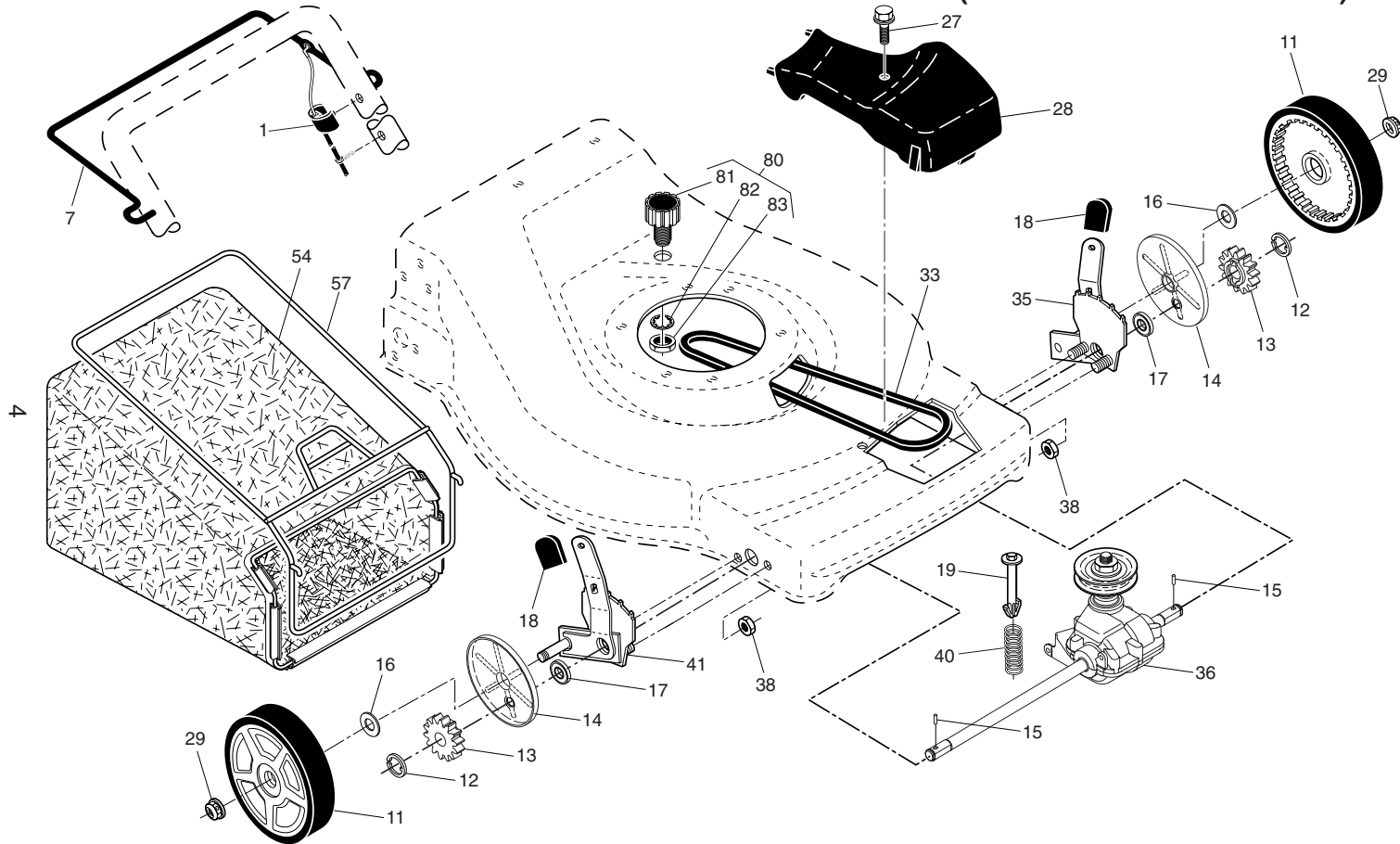
ROTARY LAWN MOWER - - MODEL NUMBER **PR625Y22RP** (MFG. ID. NO. 96142007300)

KEY NO.	PART NO.	DESCRIPTION	KEY NO.	PART NO.	DESCRIPTION	KEY NO.	PART NO.	DESCRIPTION
1	427619X479	Upper Handle	27	400248X428	Wheel & Tire Assembly, Rear	49	850263	Washer, Helical
2	183567	Cable, Operator Presence	28	174719	Bolt, Shoulder 3/8-16 x 1	50	851084	Screw, Machine, Hex Head 3/8-24 x 1-3/8 Grade 8
3	850733X004	Bracket, Upstop	29	401630	Washer, Curved, Cylindrical	51	170031	Kit, Front Baffle (Includes Key Number 53)
4	166649	Mulcher Plug	30	401179X004	Axle Arm Assembly	52	404763	Danger Decal
5	66426	Wire Tie	31	701037X421	Selector Knob	53	17600406	Screw, Serrated, TT 1/4-20
6	189713X428	Handle Knob	32	401621X004	Selector Spring	54	88348	Washer, Flat
7	750634	Screw	33	189917X428	Mulcher Door	55	73930600	Nut, Hex 3/8-16
8	427414X421	Control Bar	34	401629	Spacer	56	88652	Hinge Screw 1/4-20 x 1-1/4
9	401813X428	Rear Door Assembly	35	407492X005	Wheel Adjusting Bracket, RH	57	51793	Hairpin Cotter
10	128415	Pop Rivet	36	175735	Hinge Bracket Assembly	58	151590X479	Lower Handle
11	150050	Screw, Self-Tapping #10-24 x 5/8	37	428867	Screw, Sems, Thread Cutting 5/16-18 x 3/4	59	191574	Handle Bolt
3	12	17060410	38	402574X428	Discharge Deflector	64	- - -	Engine, Briggs & Stratton, Model Number 122T02-1207- EA (For engine service and replacement parts, call Briggs & Stratton at 1-800-233-3723)
			39	195916X479	Handle Bracket Assembly, LH			
			40	195917X479	Handle Bracket Assembly, RH			
			41	150406	Screw, Hex Head, Threaded, Rolled 3/8-16 x 1-1/8			
			42	193000	Spring, Torsion			
			43	73800400	Nut, Hex, Nylock	65	197480	O-Ring
			44	430511	Kit, Mower Housing (Includes Key Numbers 14, 15 and 51)	68	407493X005	Wheel Adjusting Bracket, LH
			45	175650	Rod, Hinge	69	197991	Clip, Cable
			46	421176	Blade Adapter / Pulley	71	422044X004	Belt Keeper
			47	406713	Blade, 22"	- -	404764	Warning Decal (not shown)
			48	851074	Washer, Hardened			

NOTE: All component dimensions given in U.S. inches. 1 inch = 25.4 mm.

IMPORTANT: Use only Original Equipment Manufacturer (O.E.M.) replacement parts. Failure to do so could be hazardous, damage your lawn mower and void your warranty.

ROTARY LAWN MOWER -- MODEL NUMBER PR625Y22RP (MFG. ID. NO. 96142007300)



ROTARY LAWN MOWER - - MODEL NUMBER **PR625Y22RP** (MFG. ID. NO. 96142007300)

5

KEY NO.	PART NO.	DESCRIPTION	KEY NO.	PART NO.	DESCRIPTION
1	194653	Drive Control Cable	33	146527	V-Belt
7	194185X421	Bar, Drive Control	35	424201	Kit, Wheel Adjuster, LH (Includes Knob and Bearing)
11	193912X428	Wheel & Tire Assembly, Front	36	415226	Gear Case Assembly, Complete
12	12000058	E-Ring	38	73800400	Locknut 1/4-20
13	403849	Pinion	40	137090	Spring
14	189403	Dust Cover	41	424200	Kit, Wheel Adjuster, RH (Includes Knob and Bearing)
15	404845	Pawl, Drive	54	411062	Grassbag Assembly
16	67725	Washer, Flat 3/8	57	411952	Frame, Grassbag
17	421836	Bearing, Wheel Adjuster Assembly	80	421114	Water Washout Assembly
18	701037X421	Selector Knob	81	419735	Fitting, Hose, Water Washout
19	150495	Retainer, Spring	82	415585	Washer, Lock, Internal Tooth
27	175262	Pan Head Tapping Screw #10-24 x 2-3/4	83	415586	Locknut, Hex, with O-Ring
28	401271X428	Drive Cover			
29	409148	Locknut, Hex			

NOTE: All component dimensions given in U.S. inches. 1 inch = 25.4 mm.

IMPORTANT: Use only Original Equipment Manufacturer (O.E.M.) replacement parts. Failure to do so could be hazardous, damage your lawn mower and void your warranty.