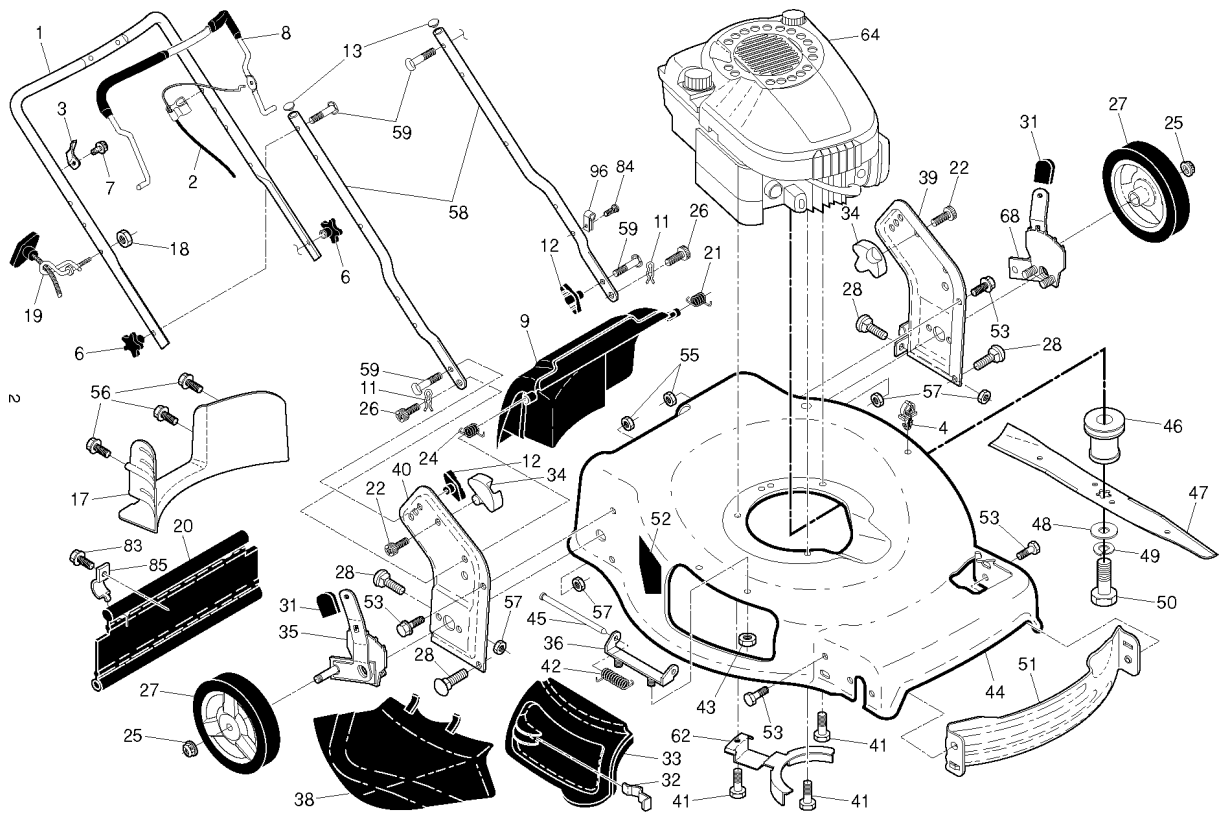


DRIVE

HU725F, 96145001200, 2012-10

Ref	Part no.	Description	Remark	Qty	Kit
1	532 42 05-62	CABLE		1	
7	532 19 84-53	CONTROL BAR, DRIVE		1	
11	532 41 10-81	WHEEL		1	
12	812 00 00-58	E-CLIP		1	
13	532 40 38-49	PINION		1	
14	532 18 94-03	DUST COVER		1	
15	532 40 48-45	PAWL, DRIVE		1	
16	532 06 77-25	WASHER		1	
17	000 00 00-00	W/O DESCRIPTION		1	
18	532 70 10-37	KNOB		1	
27	532 17 52-62	PAN HEAD TAPPING SCREW		1	
25	532 43 17-11	BRACKET		1	
26	532 16 34-09	SCREW		1	
28	532 42 10-97	DRIVE COVER		1	
29	532 40 91-48	NUT		1	
32	532 44 32-62	PULLEY		1	
33	532 19 68-53	BELT		1	
35	532 43 11-44	HEIGHT ADJUSTER	INCLUDES BEARING, KEY#17	1	
36	532 42 47-41	GEARBOX		1	
38	532 19 17-30	NUT		1	
40	532 40 65-58	SPRING		1	
41	532 43 11-42	HEIGHT ADJUSTER	INCLUDES BEARING, KEY #17	1	
54	580 94 73-07	GRASS BAG ASSY		1	
57	532 41 99-51	GRASSBAG FRAME		1	
80	532 43 84-89	KIT		1	
81	532 43 49-94	PORT		1	
82	532 41 55-85	LOCK WASHER		1	
83	532 41 55-86	LOCKING NUT		1	
84	532 41 64-05	COUPLING.QUICK CONNECT		1	



FRAME

HU725F, 96145001200, 2012-10

Ref	Part no.	Description	Remark	Qty	Kit
1	532 42 79-71	SIDEWALK SIGN		1	
2	532 42 09-39	STOP CABLE		1	
3	532 43 00-34	BRACKET		1	
4	532 14 50-06	CLIP		1	
6	532 18 23-98	KNOB		1	
7	532 17 88-48	SCREW		1	
8	581 49 74-02	BAIL		1	
9	532 43 13-90	DOOR ASY		1	
11	532 42 55-75	HAIR PIN COTTER		1	
12	532 19 19-38	KNOB		1	
13	532 43 75-16	PLUG		1	
17	532 42 73-07	BAFFLE		1	
18	532 13 20-04	NUT		1	
19	532 19 47-88	GUIDE		1	
20	532 42 91-57	SKIRT		1	
21	532 41 99-49	SPRING		1	
22	532 14 18-41	SCREW		1	
24	532 41 99-48	SPRING		1	
25	532 40 91-49	NUT		1	
26	532 41 99-45	SCREW		1	
27	532 41 08-31	WHEEL		1	
28	872 25 05-05	BOLT		1	
31	532 70 10-37	KNOB		1	
32	532 44 11-92	LATCH		1	
33	532 41 99-27	MULCH DOOR		1	
34	532 43 81-34	BRACKET		1	
35	532 43 11-39	HEIGHT ADJUSTER	REAR, RIGHT	1	
36	532 17 57-35	HINGE BRACKET ASSEMBLY		1	
38	532 42 61-29	DEFLECTOR		1	
39	581 35 37-02	BRACKET		1	
40	581 35 36-02	BRACKET		1	
41	532 15 04-06	BOLT		1	
42	532 19 30-00	HINGE SPRING		1	
43	532 19 17-30	NUT		1	
44	581 69 08-01	HOUSING ASSY		1	
45	532 17 56-50	ROD		1	
46	532 42 17-82	ADAPTER		1	
47	580 24 40-01	BLADE		1	
48	532 85 10-74	WASHER		1	
49	532 85 02-63	WASHER		1	
50	532 85 10-84	SCREW		1	
51	532 43 05-99	BAFFLE		1	
52	532 40 47-63	DECAL		1	
53	817 00 05-10	BOLT		1	
55	532 19 17-30	NUT		1	
56	817 41 13-12	SCREW		1	
57	532 15 53-77	NUT		1	
58	532 44 11-97	HANDLE		1	
59	532 19 15-74	HANDLE BOLT		1	
62	532 43 50-59	BRACKET		1	
64	000 00 00-00	W/O DESCRIPTION	B&S 128M02-0120-F1 FOR SERVICE & PARTS 1-800-233-3723	1	
68	532 43 11-38	HEIGHT ADJUSTER	REAR, LEFT	1	
83	532 75 00-97	SCREW HEX HEAD RL508A/B		1	
84	532 42 81-24	FASTENER		1	
85	532 43 45-30	BRACKET		1	
96	532 19 79-91	CLIP		1	