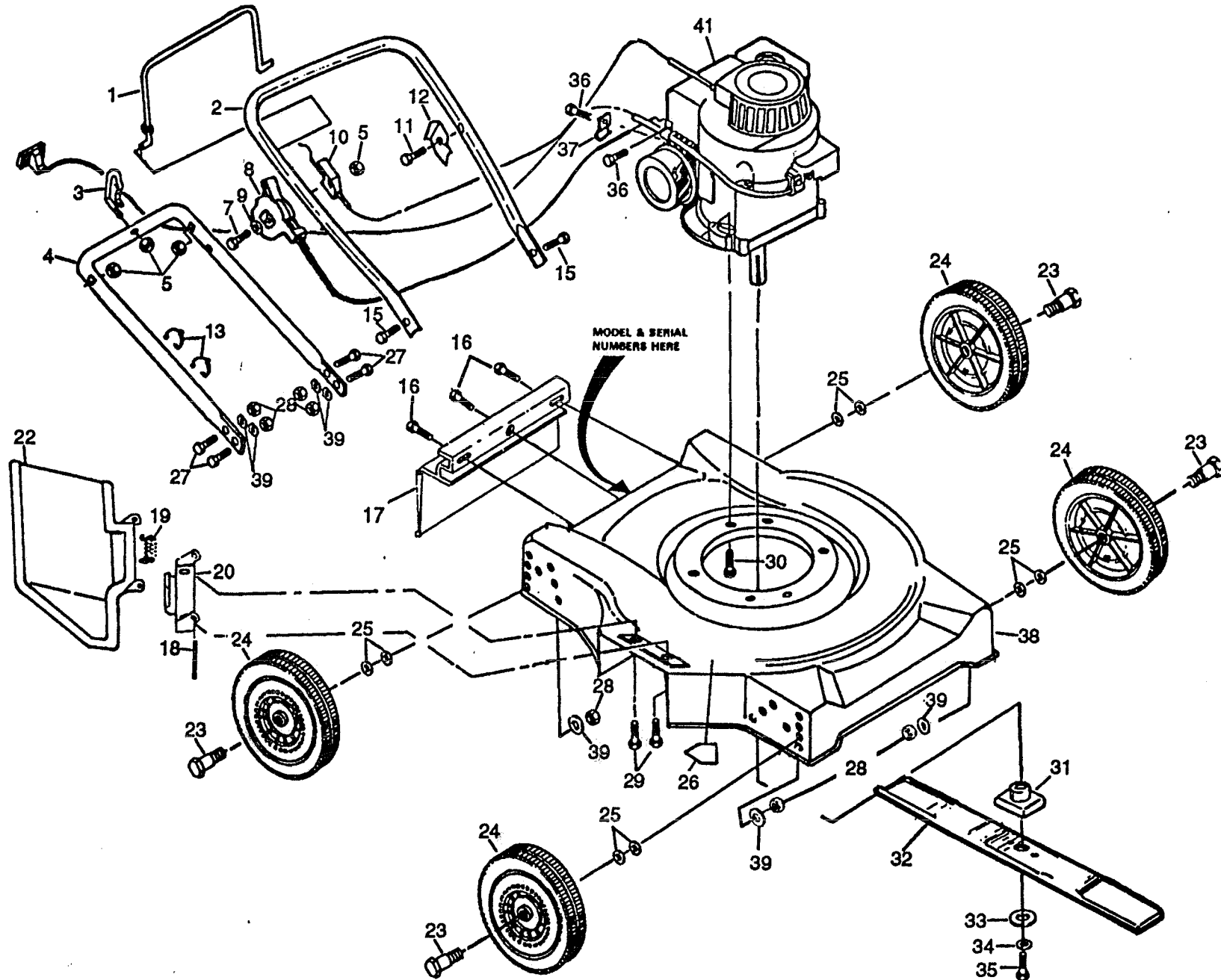


REPAIR PARTS

20" ROTARY LAWN MOWER--MODEL NO. A103D



REPAIR PARTS**20" ROTARY LAWN MOWER--MODEL NO. A103D**

KEY PART NO. NO.	DESCRIPTION	KEY PART NO. NO.	DESCRIPTION
1 86902	Control Bar	24 850879	Wheel Assembly
2 851645X479	Upper Handle	25 74316	Washer
3 103672X	Rope Guide	26 107339X	Danger Decal
4 851646X479	Lower Handle	27 55912	Bolt Hex Hd. 3/8-16 x 3/4
5 63601	Locknut 1/4-20	28 62336	Locknut (Washer) 3/8
7 86261	Machine Screw 1/4-20 x 2-1/8	29 851856	Hex Head Screw 1/4
8 851712	Throttle Control	30 850998	Hex Head Thread Rolling Screw 3/8-16 X 1-1/8
9 85723	Washer	31 850977	Blade Adapter
10 851704	Engine Zone Control Cable	32 850972	20" Blade
11 750097	Hex Washer Head Screw 10-24	33 851074	Hardened Washer
12 850734	Up-Stop Bracket	34 850263	Helical Washer Lock 3/8
13 85827	Cable Clip	35 851084	Hex Head Screw 3/8-24 x 1-3/8 Gr. 8
15 53109	Hex Head Bolt 1/4-20 x 1-1/2	36 83816	Screw #10 x 5/8
16 81276	Hex Washer Head Tapping Screw #10-24 x 1/2	37 213146	Cable Clamp
17 8259J	Rear Skirt	38 129934	Lawn Mower Housing Kit
18 851854	Hinge Rod	39 61537	Washer
19 851855	Torsion Spring	41 851010	* Engine - Briggs & Stratton Model No. 92502
20 851852X004	Housing Bracket	-- 128076	Operator's Manual
22 851750	Discharge Guard	-- 851747	Repair Parts Manual
23 67609	Shoulder Bolt		

* These parts must be purchased through an authorized Briggs & Stratton dealer.