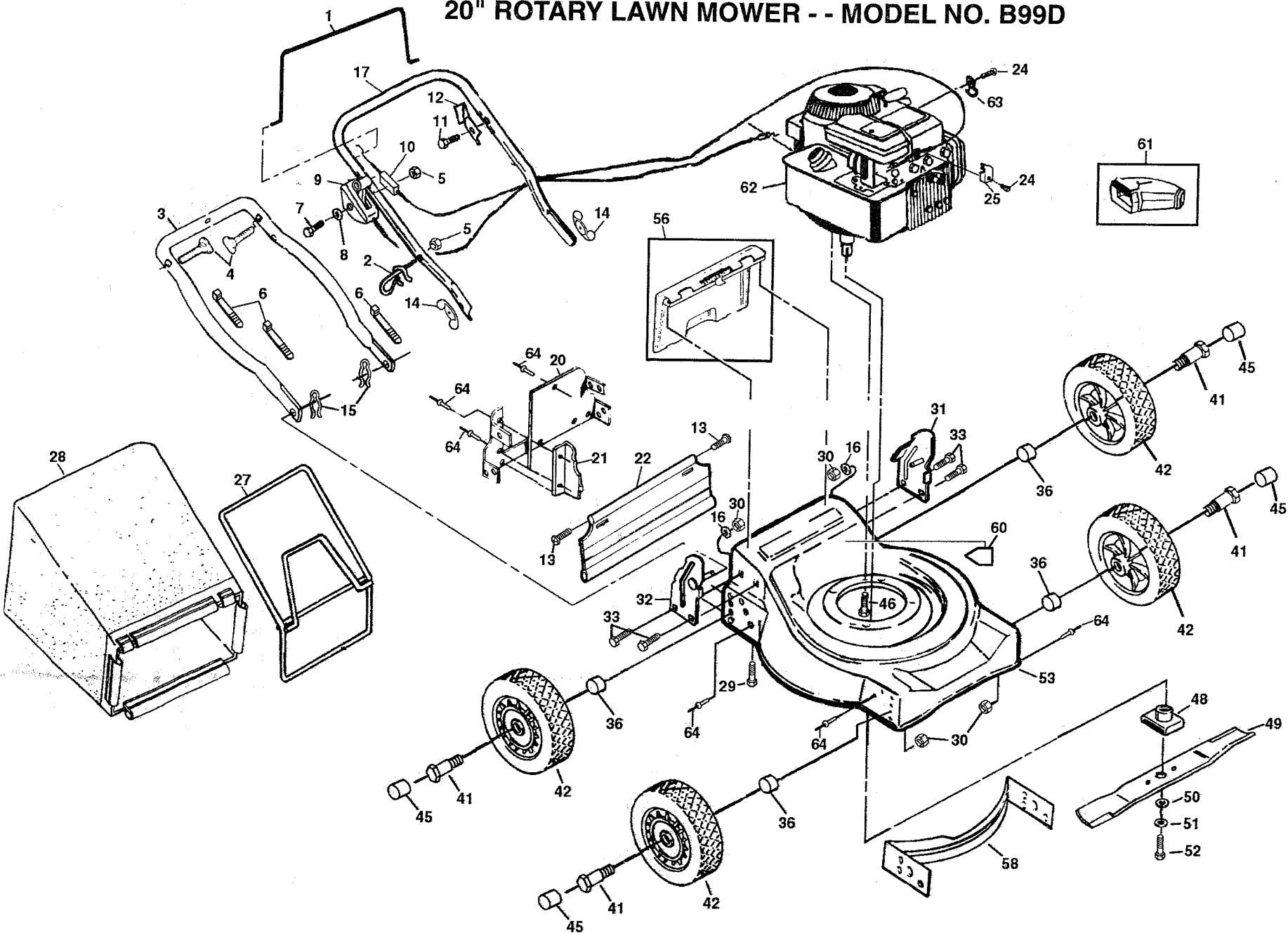


REPAIR PARTS

20" ROTARY LAWN MOWER -- MODEL NO. B99D



REPAIR PARTS

20" ROTARY LAWN MOWER - - MODEL NO. B99D

KEY NO.	PART NO.	DESCRIPTION	KEY NO.	PART NO.	DESCRIPTION
1	86902	Control Bar	30	751592	Locknut 3/8-16
2	132001	Rope Guide	31	700913X479	Handle Bracket Assembly (Left)
3	84676X479	Lower Handle	32	700915X479	Handle Bracket Assembly (Right)
4	131959	Handle Bolt	33	55187	Screw 5/16-18 x 3/4
5	63601	Locknut 1/4-20	36	136624	Wheel Spacer
6	66426	Cable Tie	41	67609	Shoulder Bolt
7	85692	Machine Screw 1/4-20 x 2-1/8	42	800220	Wheel Assembly
8	85723	Washer	45	800090	Hub Cap
9	851462	Throttle Control	46	850998	Hex Head Thread Rolling Screw 3/8-16 x 1
10	130861	Engine Zone Control Cable	48	850977	Blade Adapter
11	750097	Hex Washer Head Screw #10-24 x 1/2	49	850972	20" Blade
12	850733X004	Up-Stop Bracket	50	851074	Hardened Washer
13	88652	Hinge Screw 1/4-20 x 1.25	51	850263	Helical Lockwasher
14	128638	Wing Nut	52	851084	Hex Head Screw 3/8-24 x 1-3/8 Gr. 8
15	51793	Hairpin Cotter	53	701589	Housing Assembly (Includes Key No. 60)
16	74316	Washer	56	48257	Rear Door Assembly Kit
17	132649X479	Upper Handle	58	132198X479	Front Baffle
20	700356X479	Back Plate	60	107339X	Danger Decal
21	700363X479	Side Baffle	61	-----	MA36 Clipping Deflector (Not Included with Lawn Mower)
22	136233	Rear Skirt	62	-----	* Engine - Briggs & Stratton Model No. 95902
24	83816	Screw #10 x 5/8	63	87930	Guide Clip
25	213146	* Cable Clamp	64	128415	Pop Rivet
27	750532	Catcher Frame	--	140751	Operator's Manual
28	133266	Grass Bag	--	143473	Repair Parts Manual
29	54583	Hex Tapping Screw 1/4-20 x 1/2			

*These parts must be purchased through an authorized Briggs & Stratton dealer.