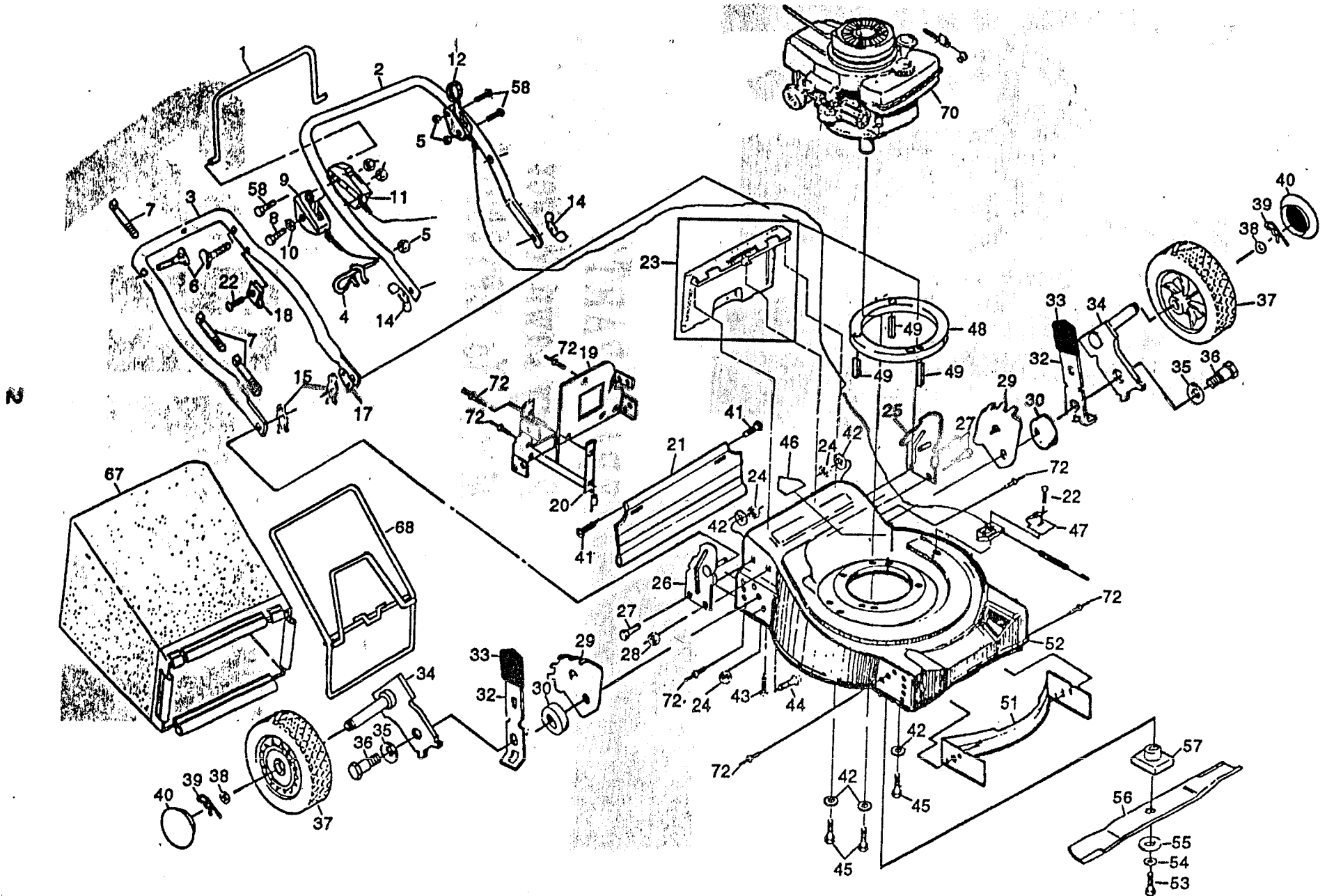


REPAIR PARTS

20" REAR BAGGER ROTARY MOWER MODEL NO. BPT202EA



REPAIR PARTS

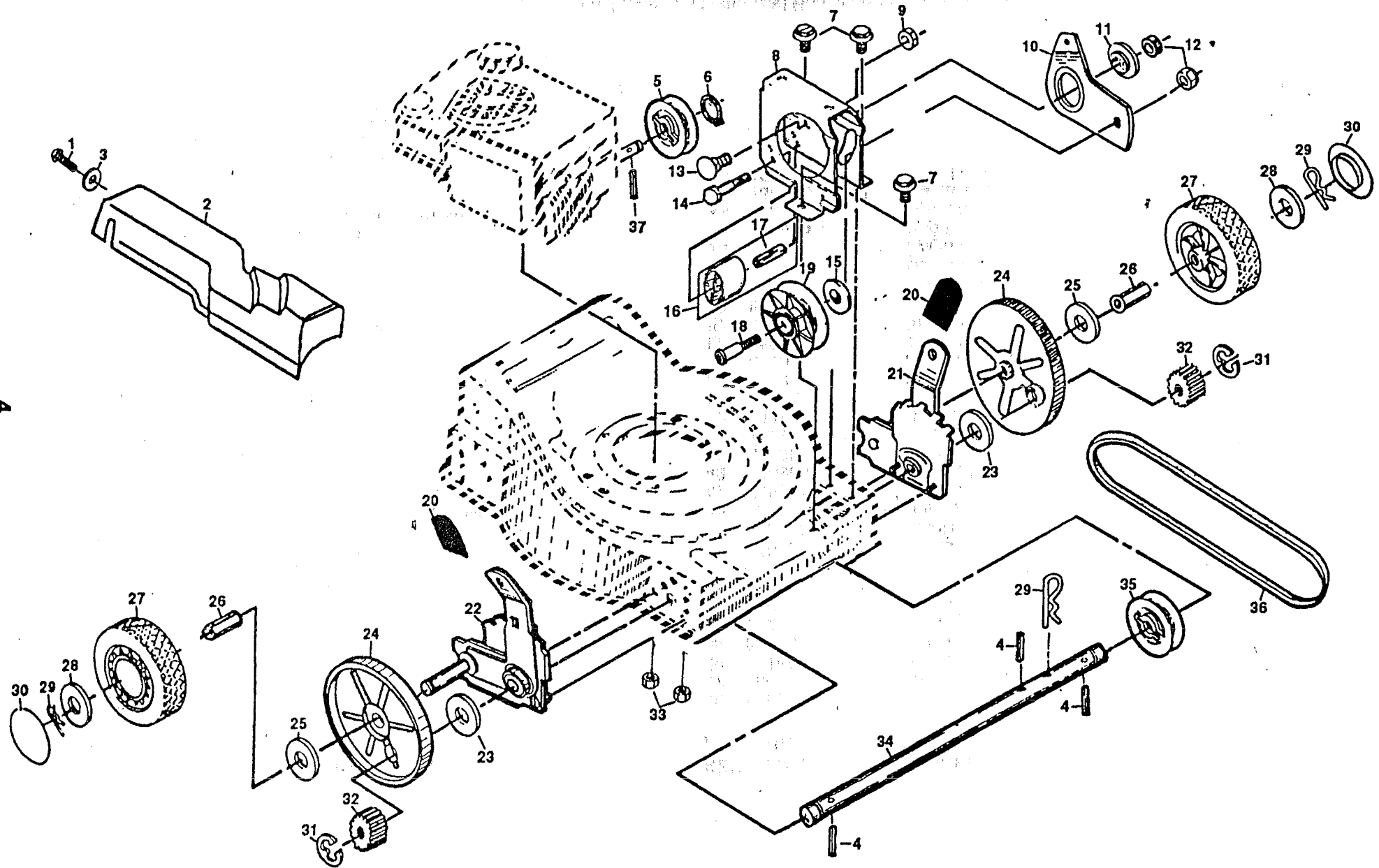
20" REAR BAGGER ROTARY MOWER MODEL NO. BPT202EA

KEY PART NO.	PART NO.	DESCRIPTION	KEY PART NO.	PART NO.	DESCRIPTION
1	133006	Control Bar	36	84921	Shoulder Bolt 3/8-16
2	132670X479	Upper Handle	37	850957	Wheel & Tire Assembly 8.0 x 1-3/4
3	134081X479	Lower Handle	38	52160	Washer
4	132001	Rope Guide	39	85179	Retainer Clip
5	63601	Locknut 1/4-20	40	77400	Hubcap
6	131959	Handle Bolt	41	88652	Hinge Screw
7	66426	Cable Tie	42	53998	Flat Washer
8	851185	Machine Screw 1/4-20 x 2-3/4	43	54583	Hex Tapping Screw 1/4-20 x 1/2
9	107244X	Throttle Control	44	72070505	Carriage Bolt 5/16-18 x 5/8
10	85723	Washer	45	850999	Hex Head Thread Rolling Screw 3/8-16x1
11	128787	Engine Zone Control Cable	46	107339X	Danger Decal
12	133879	Drive Control	47	750346	Bracket Cover
14	128638	Wing Nut	48	850988	Engine Spacer
15	51793	Hairpin Cotter	49	850987	Engine Bushing
17	77553	Cable Guide	51	132198X479	Front Baffle
18	88092	Cable Guide	52	133492	Housing Assembly (Incl. Ref. #46)
19	132679X419	Back Plate	53	851084	Hex Head Bolt 3/8-24 x 1-3/8 Grd. 8
20	133184X479	Side Baffle	54	850263	Helical Lock Washer
21	133259	Rear Skirt	55	851074	Hardened Washer
22	85768	Self-Tapping Screw #10-24 x 3/4	56	850972	20" Blade
23	48138	Rear Door Assembly Kit	57	851514	Blade Adapter
24	751592	Locknut 3/8-16	58	85692	Screw 1/4-20 x 2-3/4
25	81964X419	Handle Bracket Assembly (Left)	67	132655	Grass Bag
26	81963X419	Handle Bracket Assembly (Right)	68	133413	Catcher Frame
27	55187	Screw 5/16-18 x 3/4	70	-----	* Engine - Tecumseh Model No. TVS-90
28	63124	Locknut 5/16-18	72	128415	Pop Rivet
29	850955	Wheel Adjusting Bracket	--	132108	Operator's Manual
30	84920	Spacer	--	134090	Replacement Parts Manual
32	850855X004	Selector Spring	--	133414	"Belt Drive Self-Propelled" Decal (Housing)
33	87877	Selector Knob			
34	85021X004	Axle Arm Assembly			
35	82335	Belleville Washer			

*These parts must be purchased through an authorized Briggs and Stratton dealer.

REPAIR PARTS

20" REAR BAGGER ROTARY LAWN MOWER -- MODEL NO. BPT202EA



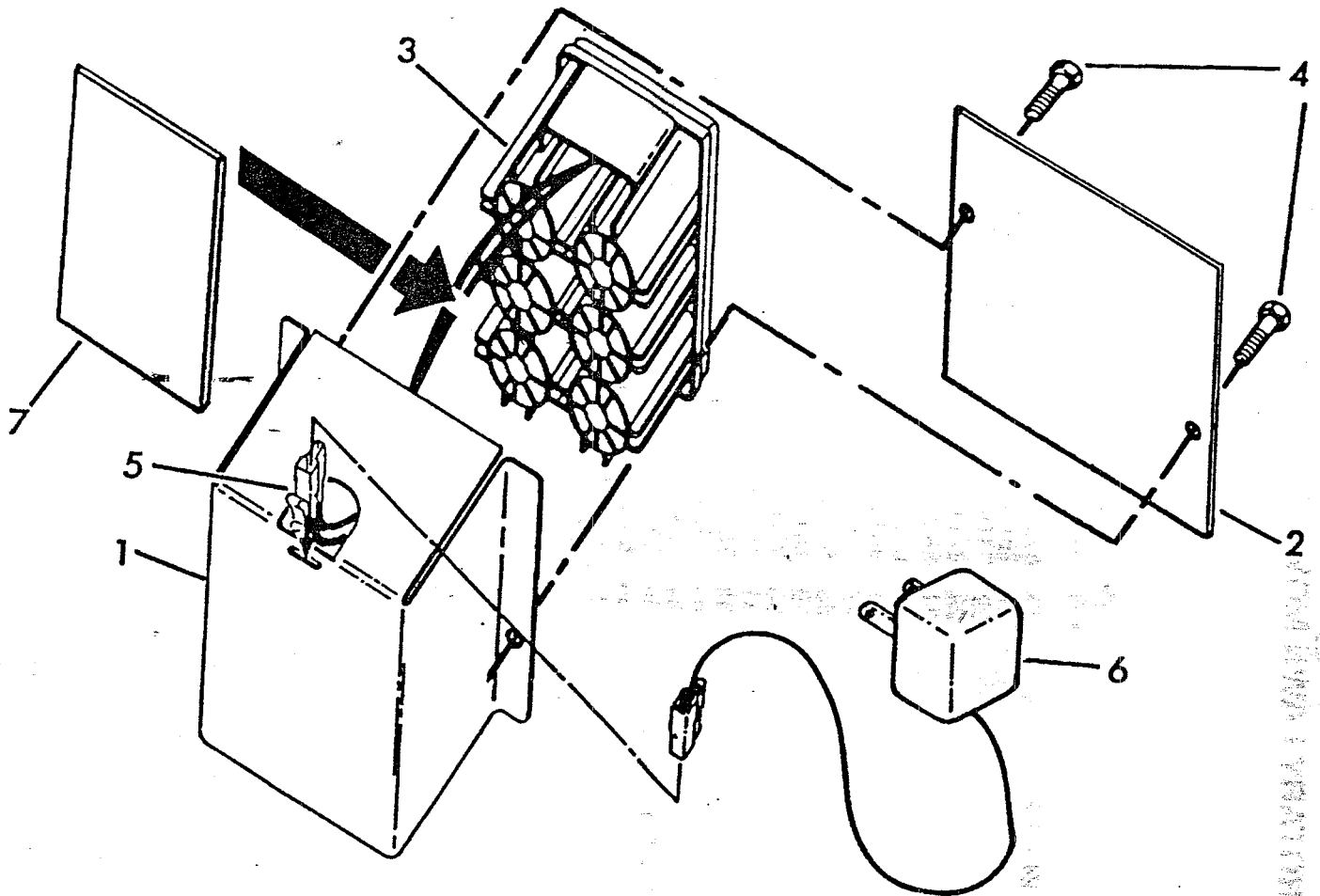
REPAIR PARTS

20" REAR BAGGER ROTARY LAWN MOWER -- MODEL NO. BPT202EA

KEY PART NO.	PART NO.	DESCRIPTION	KEY PART NO.	PART NO.	DESCRIPTION
1	750097	Hex Washer Head Screw #10-24 x 1/2	20	87877	Selector Knob
2	750727	Drive Cover	21	751809	Selector Assembly (Left)
3	4802	Washer	22	751810	Selector Assembly (Right)
4	88028	Roll Pin 3/16 x 7/8	23	88118	Felt Washer
5	88043	Drive Pulley	24	88080	Dust Cover
6	12000030	Retaining Ring	25	67725	Washer
7	54583	Screw 1/4-20 x 1/2	26	88446	Wheel Bushing
8	851947X004	Clutch Frame	27	850690	Wheel & Tire Assembly 8.00 x 1-3/4
9	50962	Locknut 1/4-20	28	52160	Washer
10	88065X004	Clutch Lever	29	85179	Retainer Clip
11	88067	Clutch Lever Spacer	30	77400	Hubcap
12	750253	Locknut 5/16-18	31	12000003	E-Ring
13	72070504	Carriage Bolt 5/16-18 x 1/2	32	750003	Pinion
14	74760424	Hex Head Bolt 1/4-20 x 1-1/2	33	63601	Locknut 1/4-20
15	88069	Spacer	34	88081	Drive Shaft
16	48160	Idler Assembly (Includes Key No. 17)	35	88082	Driven Pulley
17	88578	Idler Spacer	36	850053	Drive Belt
18	88517	Shoulder Bolt 5/16-18 x 1-3/8	37	128489	Dowel Pin
19	88516	Idler Pulley	--	850077	"Clean Under" Decal (Drive Cover)

REPAIR PARTS

20" ROTARY LAWN MOWER - - MODEL NO. BPT202EA



KEY PART
NO. NO.

1 86334X419
2 86337X419
3 750909
4 36953
5 86353
6 111549
7 86649
-- 129382

DESCRIPTION

Battery Bracket
Battery Cover
Battery
Hex Washer Head Screw
#10-24 x 1/2
Connector Mounting Clip
Battery Charger
Battery Pad
Battery Wrap (Not Shown)