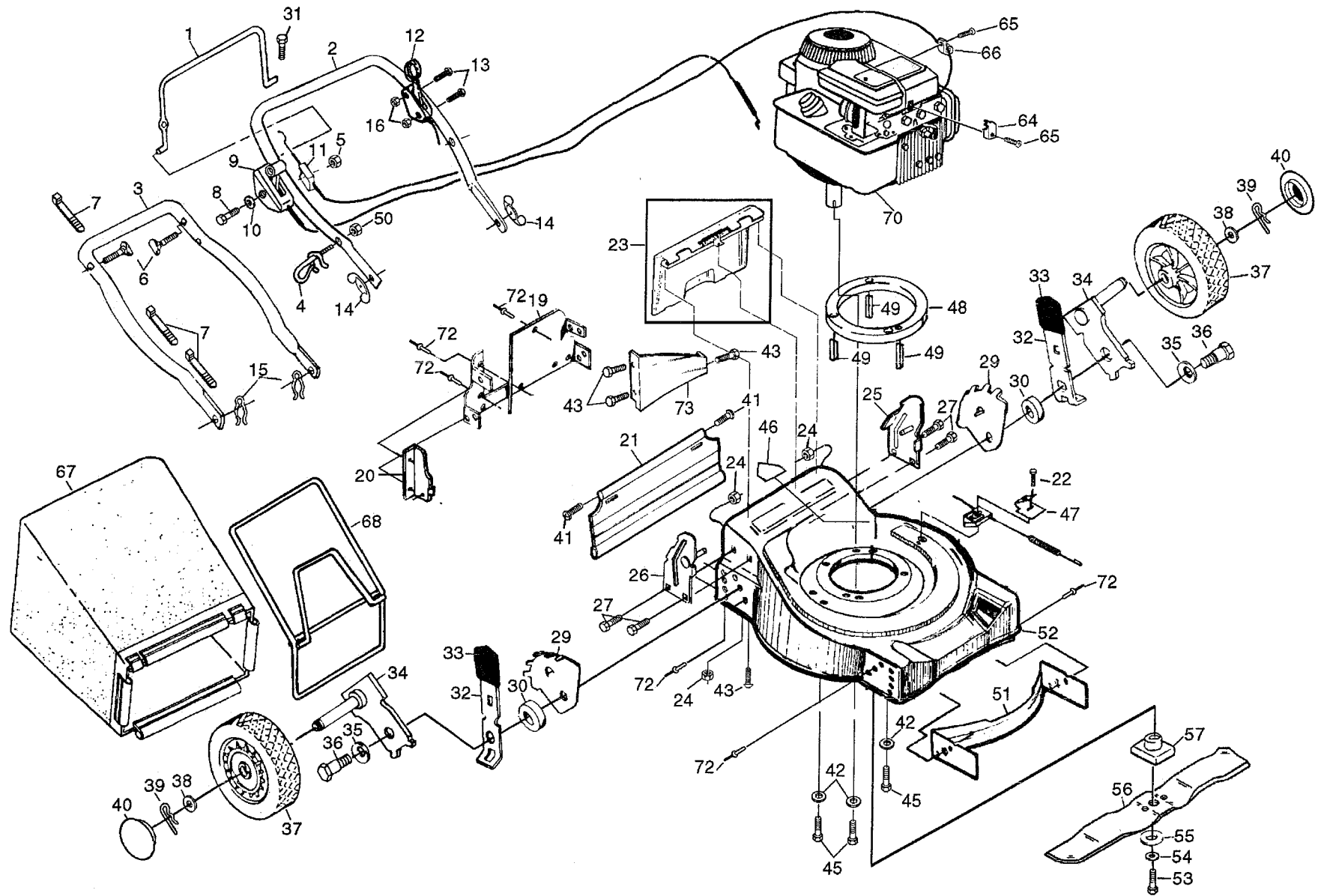


REPAIR PARTS

20" REAR BAGGER ROTARY MOWER MODEL NO. EZ2C679A



REPAIR PARTS

20" REAR BAGGER ROTARY MOWER MODEL NO. EZ2C679A

KEY NO.	PART NO.	DESCRIPTION	KEY NO.	PART NO.	DESCRIPTION
1	132570	Control Bar	38	52160	Washer
2	132670X479	Upper Handle	39	85179	Retainer Clip
3	134081X479	Lower Handle	40	77400	Hubcap
4	132001	Rope Guide	41	88652	Hinge Screw
5	63601	Locknut 1/4-20	42	53998	Flat Washer
6	131959	Handle Bolt	43	54583	Hex Tapping Screw 1/4-20 x 1/2
7	66426	Cable Tie	45	850999	Hex Head Thread Rolling Screw 3/8-16x1
8	85692	Machine Screw 1/4-20 x 2 1/8	46	85463	Danger Decal
9	851462	Throttle Control	47	88615	Bracket Cover
10	85723	Washer	48	850988	Engine Spacer
11	130861	Engine Zone Control Cable	49	850987	Engine Bushing
12	700401	Drive Control	50	73510400	Locknut 1/4-20
13	750029	Pan Head Machine Screw #10-24 x 2	51	132198X479	Front Baffle
14	128638	Wing Nut	52	701991	Housing Assembly (Incl. Ref. #46)
15	51793	Hairpin Cotter	53	851084	Hex Head Bolt 3/8-24 x 1-3/8 Grd. 8
16	74189	Locknut, #10-24	54	850263	Helical Lock Washer
19	700356X479	Back Plate	55	851074	Hardened Washer
20	700363X479	Side Baffle	56	850972	20" Blade
21	133259	Rear Skirt	57	851514	Blade Adapter
22	85768	Self-Tapping Screw #10-24 x 3/4	64	213146	* Cable Clamp
23	48257	Rear Door Assembly Kit	65	83816	Screw #10 x 5/8
24	751592	Locknut 3/8-16	66	850472	Cable Clip
25	700913X517	Handle Bracket Assembly (Left)	67	701990	Grass Bag
26	700915X517	Handle Bracket Assembly (Right)	68	133413	Catcher Frame
27	55187	Screw 5/16-18 x 3/4	70	-----	* Engine - Briggs/Stratton Model No. 96982
29	700375	Wheel Adjusting Bracket	72	128415	Pop Rivet
30	84920	Spacer	73	700063X479	Baffle, Rear
31	851552	Self-Tapping Screw #10-24 x 5/8	--	700480	Operator's Manual
32	700331X004	Selector Spring	--	701989	Replacement Parts Manual
33	87877	Selector Knob			
34	85021X004	Axle Arm Assembly			
35	62335	Belleville Washer			
36	84921	Shoulder Bolt 3/8-16			
37	700953	Wheel & Tire Assembly			

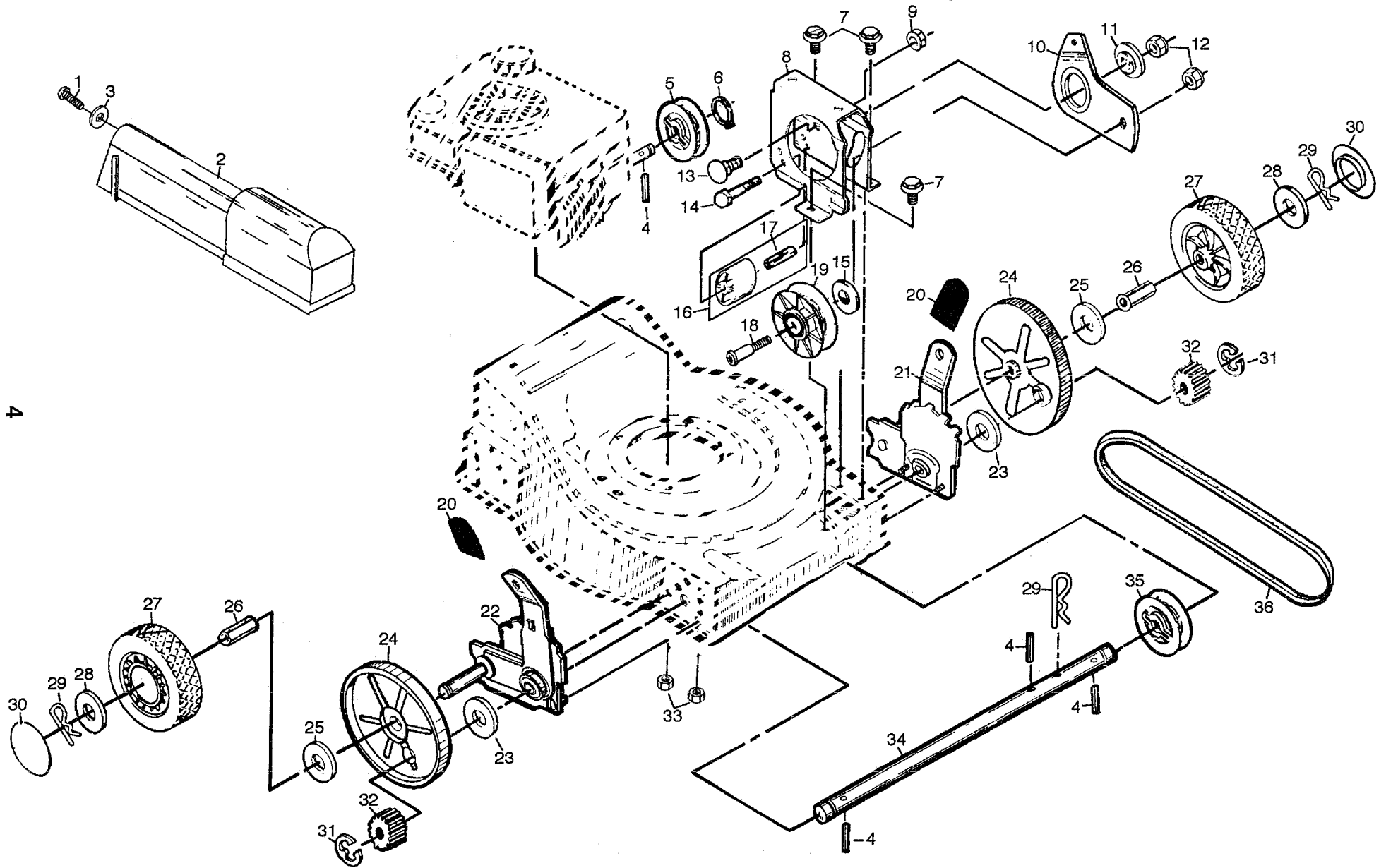
3
 146247 Rear Wheel & Tire Assembly

Available accessories not included with lawn mower:
 -- MA36 Chute Deflector
 -- MK20FRD Mulcher Kit

*These parts must be purchased through an authorized Briggs and Stratton dealer.

REPAIR PARTS

20" REAR BAGGER ROTARY MOWER MODEL NO. EZ2C679A



REPAIR PARTS

20" REAR BAGGER ROTARY MOWER MODEL NO. EZ2C679A

KEY NO.	PART NO.	DESCRIPTION	KEY NO.	PART NO.	DESCRIPTION
1	750097	Hex Washer Head Screw #10-24 x 1/2	20	87877	Selector Knob
2	111925X	Drive Cover	21	700339	Wheel Adjuster Assembly (Left)
3	4802	Washer	22	700340	Wheel Adjuster Assembly (Right)
4	851980	Drive Pawl	23	88118	Felt Washer
5	88043	Drive Pulley	24	88080	Dust Cover
6	12000030	Retaining Ring	25	67725	Washer
7	54583	Screw 1/4-20 x 1/2	26	88446	Wheel Bushing
8	851947X004	Clutch Frame	27	800390 From 700953	Wheel & Tire Assembly Drive Wheel
9	50962	Locknut 1/4-20	28	52160	Washer
10	88065X004	Clutch Lever	29	85179	Retainer Clip
11	88067	Clutch Lever Spacer	30	77400	Hubcap
12	750253	Locknut 5/16-18	31	12000057	E-Ring
13	72070504	Carriage Bolt 5/16-18 x 1/2	32	137054	Pinion
14	74350424	Hex Head Screw 1/4-20 x 1-1/2	33	63601	Locknut 1/4-20
15	88069	Spacer	34	700537	Drive Shaft
16	48160	Idler Assembly (Includes Key No. 17)	35	88082	Driven Pulley
17	88576	Idler Spacer	36	111924X	Drive Belt
18	88517	Shoulder Bolt 5/16-18 x 1-3/8	--	852000	"Clean Under" Decal (Drive Cover)
19	88516	Idler Pulley	--	850428	Decal (Drive Cover)