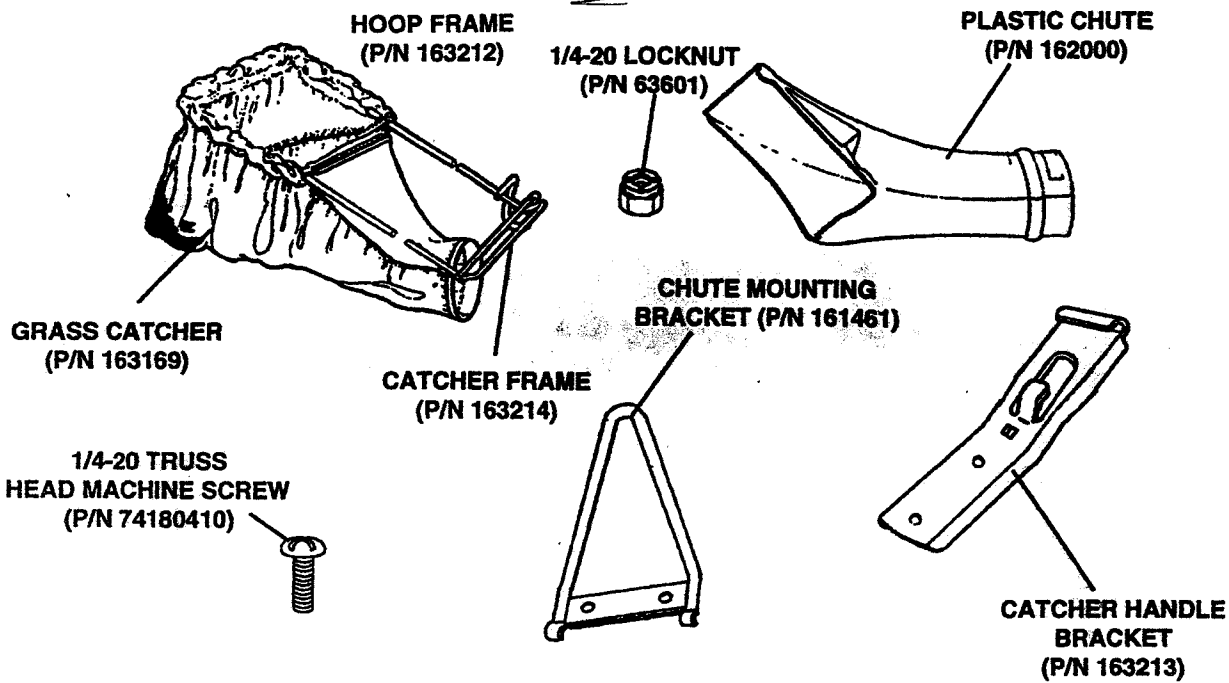


GRASS CATCHER ASSEMBLY

GCK3300A



CAUTION: Do not operate your lawn mower without mulcher door in closed position, discharge deflector in place, or approved grass catcher in place.

TO ASSEMBLE GRASS CATCHER

- Attach catcher handle bracket to lawn mower handle using handle knob provided on lawn mower handle (See Fig. 1).
- Attach chute mounting bracket to plastic chute using (2) two 1/4-20 truss head machine screws and (2) two 1/4-20 locknuts and tighten securely. (See Fig. 2)
- Insert the short leg of the hoop frame into the seam sewn in the grass catcher as shown in Fig. 3.
- Continue pushing the grass catcher onto the hoop frame until the grass catcher is completely on the short leg of the hoop frame. Spread grass catcher evenly around the hoop frame as shown in Fig. 4.
- Insert the ends of the hoop frame through the button-holes that are located under the flip lid, as far as possible.
- Attach the grass catcher frame to the hoop frame as shown in Fig. 4.
- Place the plastic extrusion, located on the grass catcher, to the first horizontal bar of the grass catcher frame (See Fig. 5).
- Attach grass catcher to the plastic chute by squeezing the clamp ring located at the end of the grass catcher (See Fig. 5).
- Slide the grass catcher onto the plastic chute making sure catcher fits over the ridge on the plastic chute (See Fig. 5).
- Release clamp ring and grass catcher will fit securely.

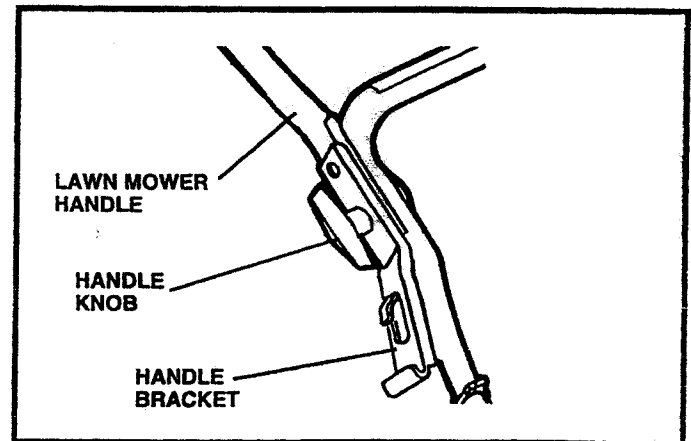


FIG. 1

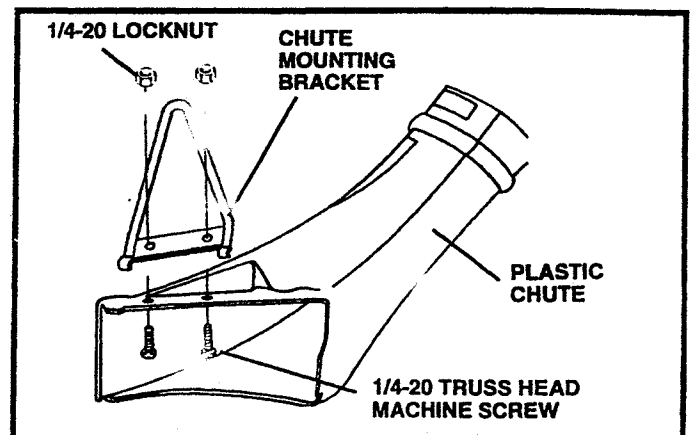


FIG. 2