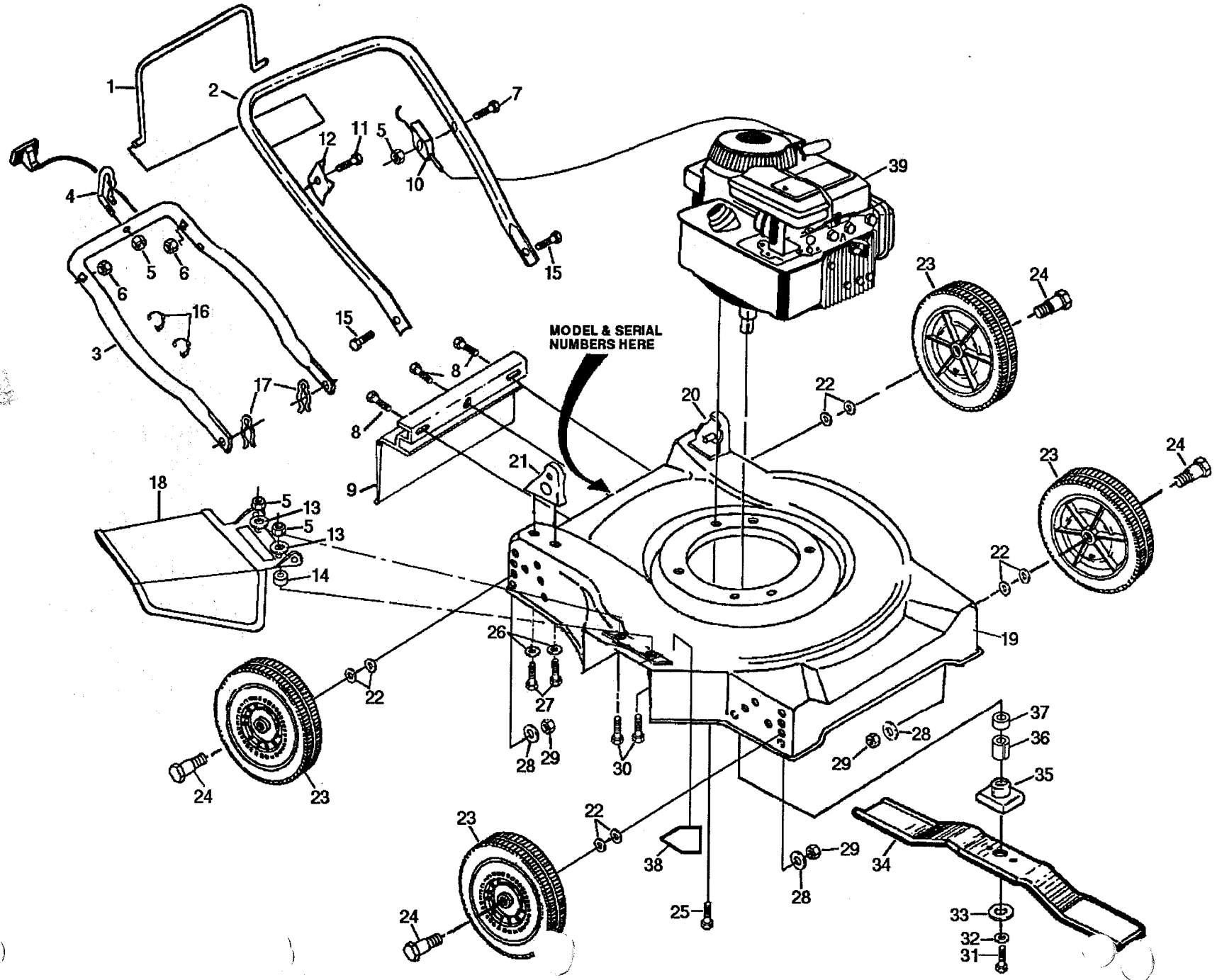


REPAIR PARTS

20" ROTARY LAWN MOWER, MODEL NO. KA103C



REPAIR PARTS

20" ROTARY LAWN MOWER, MODEL NO. KA103C

KEY NO.	PART NO.	DESCRIPTION	KEY NO.	PART NO.	DESCRIPTION
1	850750	Control Bar	23	800060	Wheel & Tire Assembly
2	850881	Upper Handle	24	67609	Shoulder Bolt
3	84677	Lower Handle	25	850998	Hex Head Thread Rolling Screw 3/8-16 x 1-1/8
4	103672	Rope Guide	26	59289	Washer
5	63601	Locknut 1/4-20	27	55187	Thread Cutting Screw w/sems 5/16-18 x 3/4
6	63124	Locknut 5/16-18	28	61537	Washer
7	53109	Machine Screw 1/4-20 x 1-1/2	29	751592	Locknut 3/8-16
8	81276	Hex Washer Head Tapping Screw #10-24 x 1/2	30	53820	Hex Head Bolt
9	8259J	Rear Skirt	31	129905	Hex Head Screw
10	128618	Engine Zone Control Cable	32	850263	Helical Lock Washer 3/8
11	750097	Hex Washer Head Screw #10-24 x 1/2	33	851074	Hardened Washer
12	86899X004	Up-Stop Bracket	34	103523X	20" Blade
13	53847	Flat Washer	35	129239X004	Blade Adapter
14	130640	Spacer	36	74969	Split Spacer
15	53089	Hex Head Bolt 5/16-18 x 1-3/4	37	129695	Spacer
16	85827	Cable Clip	38	107339X	Danger Decal
17	51793	Hairpin Cotter	39	-----	* Engine - Briggs & Stratton Model No. 92502, Type No. 3188-01
18	851750	Discharge Guard	--	128076	Operator's Manual
19	130482	Lawn Mower Housing Kit	--	130406	Repair Parts Manual
20	63645X419	Handle Bracket Assembly (Left)			
21	63644X419	Handle Bracket Assembly (Right)			
22	74316	Washer			

* These Parts must be purchased through an authorized Briggs & Stratton Dealer.