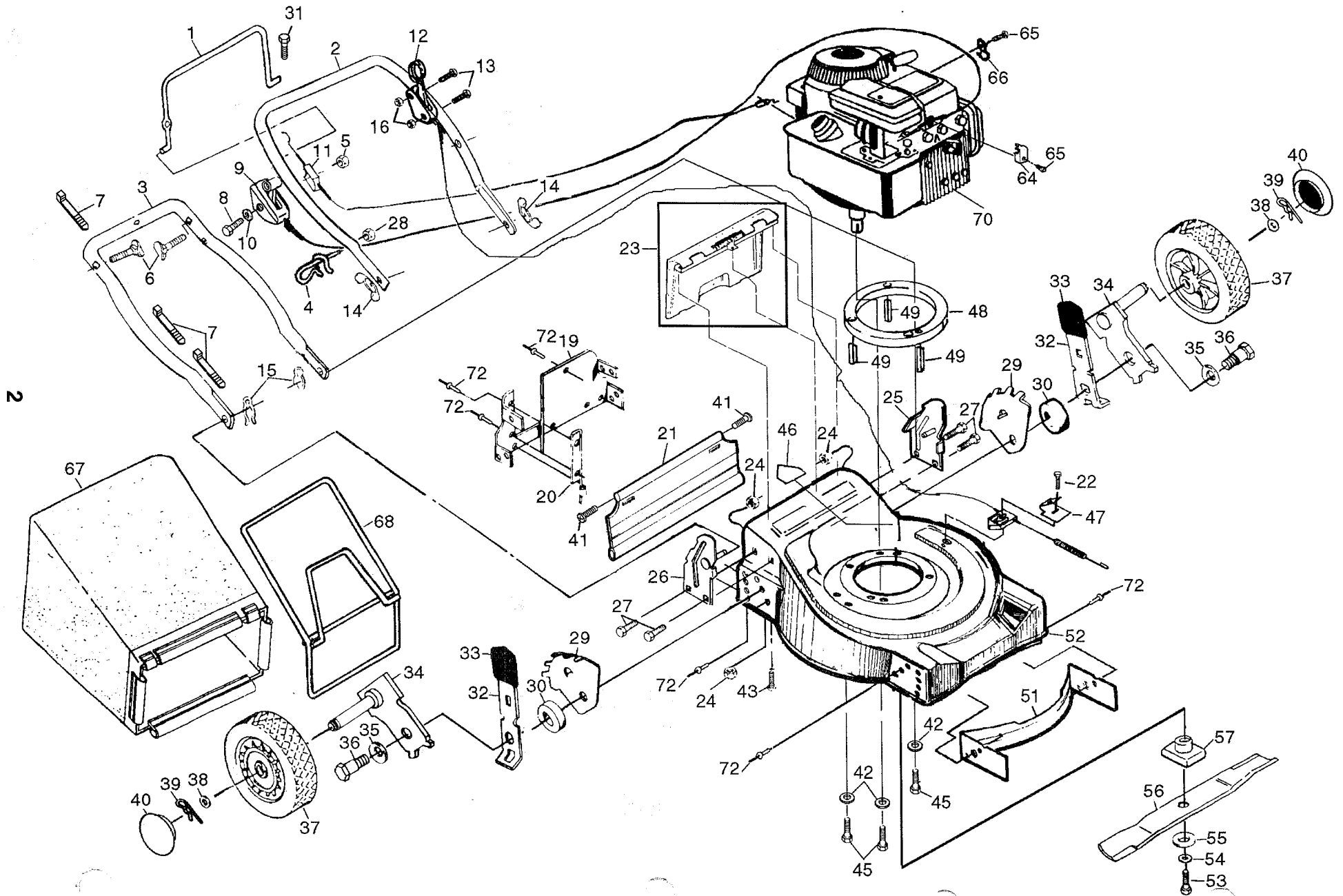


REPAIR PARTS

20" REAR BAGGER ROTARY MOWER MODEL NO. LM2C679A



REPAIR PARTS

20" REAR BAGGER ROTARY MOWER MODEL NO. LM2C679A

KEY NO.	PART NO.	DESCRIPTION	KEY NO.	PART NO.	DESCRIPTION
1	132570	Control Bar	36	84921	Shoulder Bolt 3/8-16
2	132670X479	Upper Handle	37	850957	Wheel & Tire Assembly
3	134081X479	Lower Handle	38	52160	Washer
4	132001	Rope Guide	39	85179	Retainer Clip
5	63601	Locknut 1/4-20	40	77400	Hubcap
6	131959	Handle Bolt	41	88652	Hinge Screw
7	66426	Cable Tie	42	53998	Flat Washer
8	85692	Machine Screw 1/4-20 x 2-1/8	43	54583	Hex Tapping Screw 1/4-20 x 1/2
9	851462	Throttle Control	45	850999	Hex Head Thread Rolling Screw 3/8-16x1
10	85723	Washer	46	107339X	Danger Decal
11	130861	Engine Zone Control Cable	47	88615	Bracket Cover
12	700401	Drive Control	48	850988	Engine Spacer
13	750029	Pan Head Machine Screw #10-24 x 2	49	850987	Engine Bushing
14	128638	Wing Nut	51	132198X479	Front Baffle
15	51793	Hairpin Cotter	52	701927	Housing Assembly (Incl. Ref. #46)
16	74189	Locknut, #10-24	53	851084	Hex Head Bolt 3/8-24 x 1-3/8 Grd. 8
19	700356X479	Back Plate	54	850263	Helical Lock Washer
20	700363X479	Side Baffle	55	851074	Hardened Washer
21	133259	Rear Skirt	56	850972	20" Blade
22	85768	Self-Tapping Screw #10-24 x 3/4	57	851514	Blade Adapter
23	48257	Rear Door Assembly Kit	64	213146	* Cable Clamp
24	751592	Locknut 3/8-16	65	83816	Screw #10 x 5/8
25	700913X505	Handle Bracket Assembly (Left)	66	850472	Cable Clip
26	700915X505	Handle Bracket Assembly (Right)	67	132655	Grass Bag
27	55187	Screw 5/16-18 x 3/4	68	133413	Catcher Frame
28	73510400	Locknut 1/4-20	70	-----	* Engine - Briggs/Stratton Model No. 96982
29	700375	Wheel Adjusting Bracket	72	128415	Pop Rivet
30	84920	Spacer	--	700480	Operator's Manual
31	851552	Self-Tapping Screw #10-24 x 5/8	--	701928	Replacement Parts Manual
32	700331X004	Selector Spring	--	133414	"Belt Drive Self-Propelled" Decal (Housing)
33	87877	Selector Knob			
34	85021X004	Axle Arm Assembly			
35	62335	Belleville Washer			

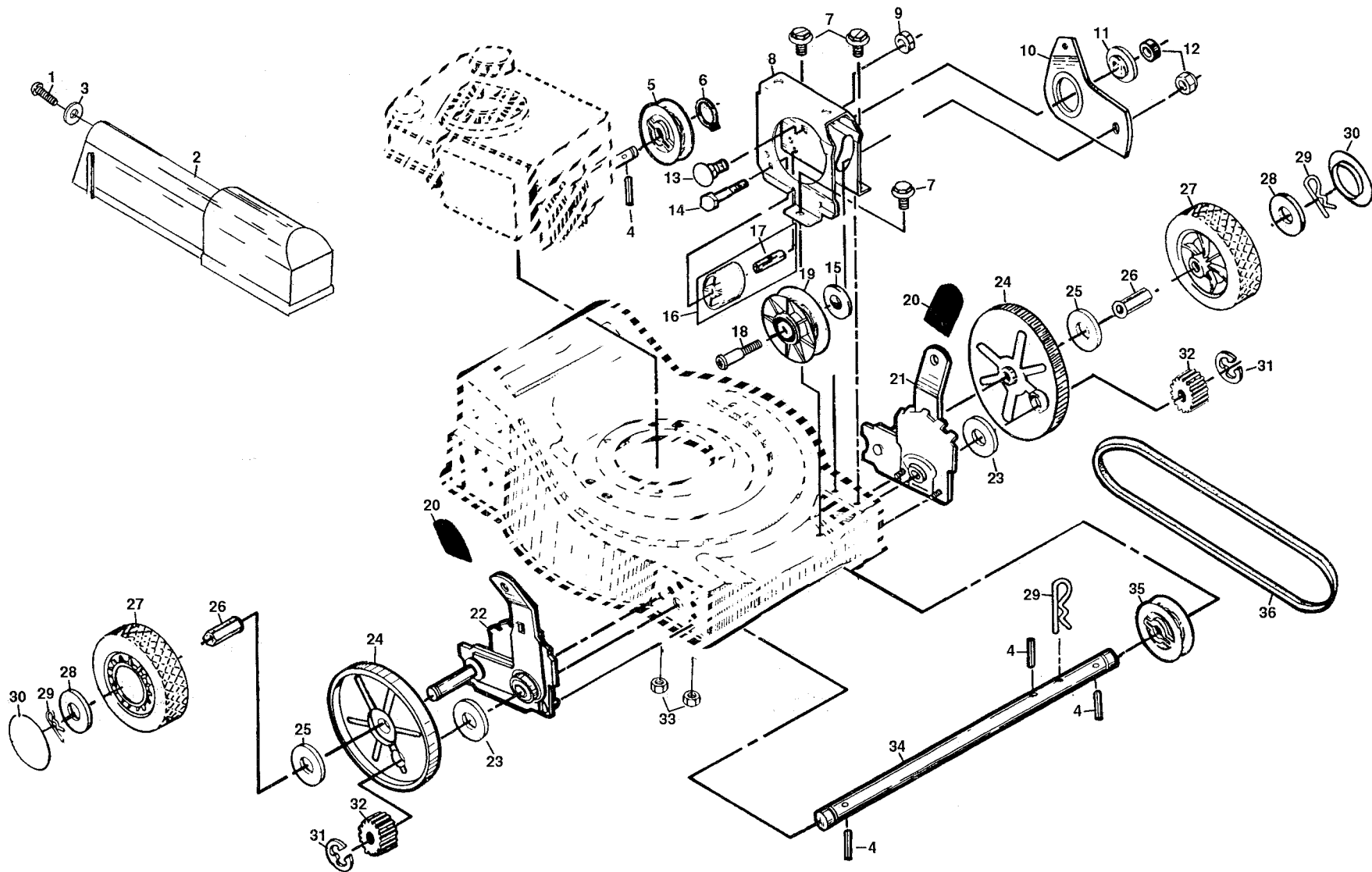
Available accessories not included with lawn mower:

- MA36 Chute Deflector
- MK20FRD Mulcher Kit

*These parts must be purchased through an authorized Briggs and Stratton dealer.

REPAIR PARTS

20" REAR BAGGER ROTARY LAWN MOWER - - MODEL NO. LM2C679A



REPAIR ARTS**20" REAR BAGGER ROTARY LAWN MOWER - - MODEL NO. LM2C679A**

KEY NO.	PART NO.	DESCRIPTION	KEY NO.	PART NO.	DESCRIPTION
1	750097	Hex Washer Head Screw #10-24 x 1/2	20	87877	Selector Knob
2	111925X	Drive Cover	21	700339	Wheel Adjuster Assembly (Left)
3	4802	Washer	22	700340	Wheel Adjuster Assembly (Right)
4	851980	Drive Pawl	23	88118	Felt Washer
5	88043	Drive Pulley	24	89080	Dust Cover
6	12000030	Retaining Ring	25	67725	Washer
7	54583	Screw 1/4-20 x 1/2	26	88446	Wheel Bushing
8	851947X004	Clutch Frame	27	850690	Wheel & Tire Assembly
9	50962	Locknut 1/4-20	28	52160	Washer
10	88065X004	Clutch Lever	29	85179	Retainer Clip
11	88067	Clutch Lever Spacer	30	77400	Hubcap
12	750253	Locknut 5/16-18	31	12000057	E-Ring
13	72070504	Carriage Bolt 5/16-18 x 1/2	32	137054	Pinion
14	74350424	Hex Head Screw 1/4-20 x 1-1/2	33	63601	Locknut 1/4-20
15	88069	Spacer	34	700537	Drive Shaft
16	48160	Idler Assembly (Includes Key No. 17)	35	88082	Driven Pulley
17	88576	Idler Spacer	36	111924X	Drive Belt
18	88517	Shoulder Bolt 5/16-18 x 1-3/8	--	852000	"Clean Under" Decal (Drive Cover)
19	88516	Idler Pulley	--	850428	Decal (Drive Cover)