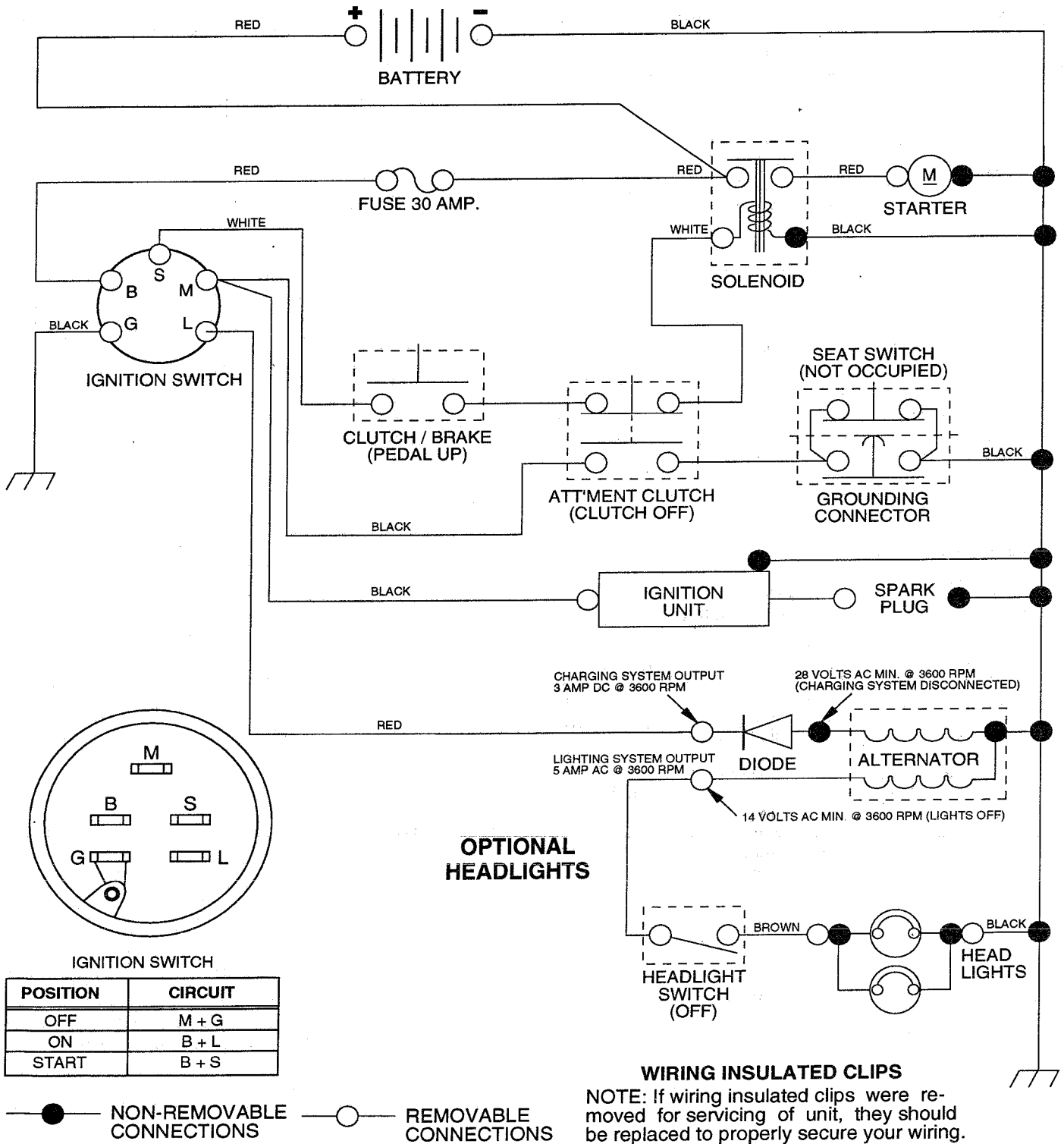


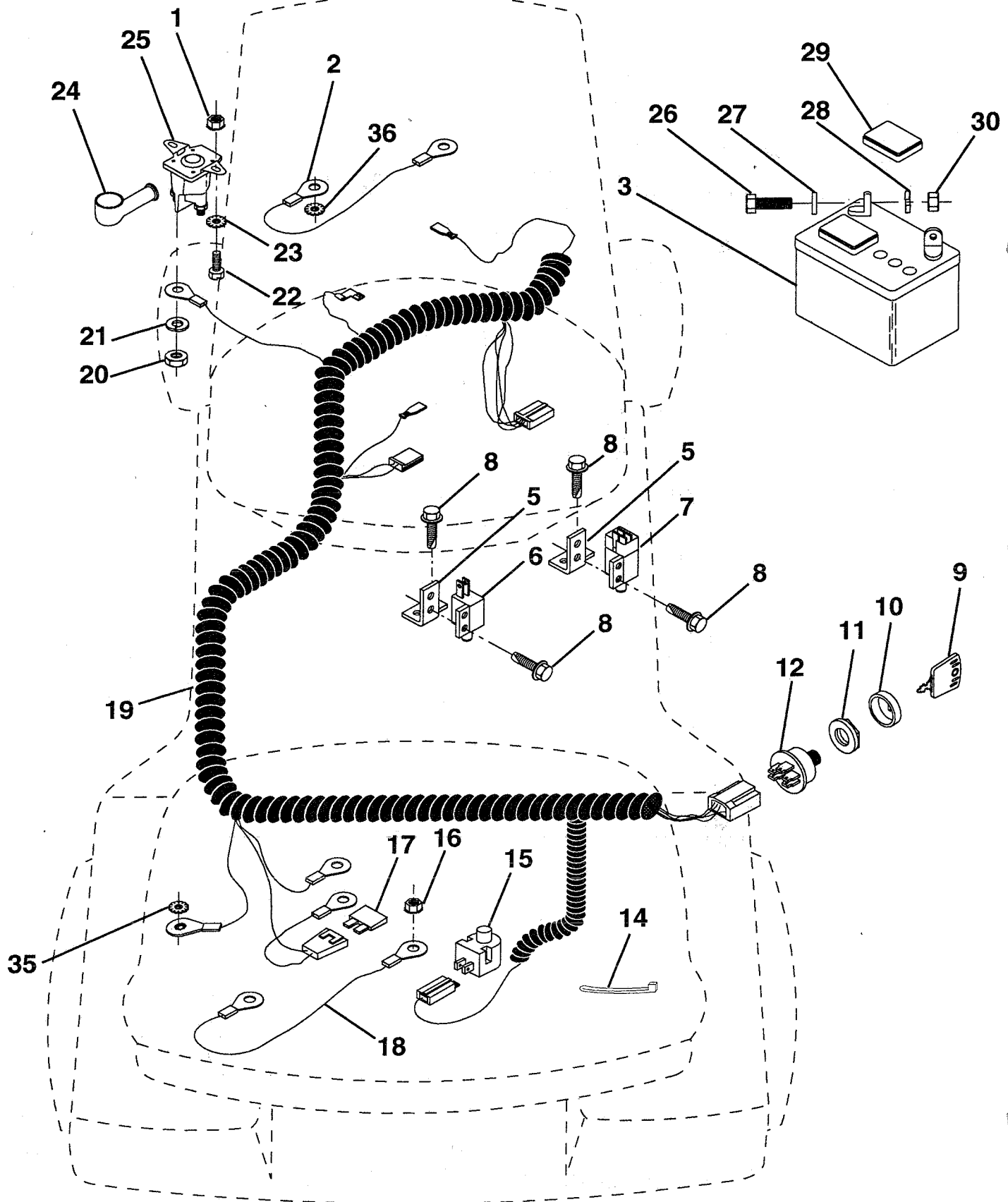
SCHEMATIC



REPAIR PARTS

10 HP 36" TRACTOR -- LR100, PRODUCT NO. 954 00 05-72 (HU1036A)

ELECTRICAL



REPAIR PARTS

10 HP 36" TRACTOR - - LR100, PRODUCT NO. 954 00 05-72 (HU1036A)

ELECTRICAL

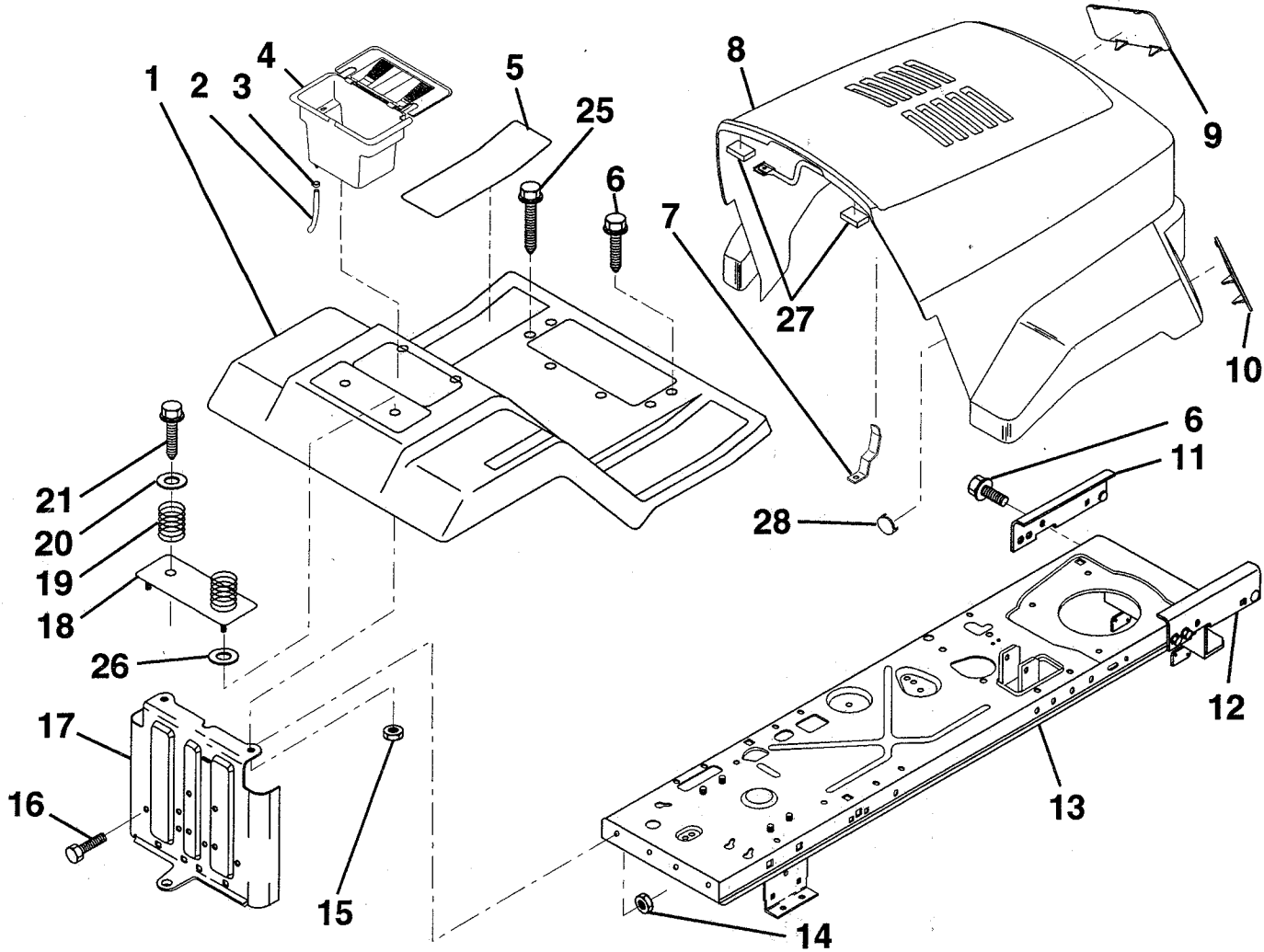
KEY NO.	PART NO.	DESCRIPTION
1	873510400	Nut, Hex, Keps 1/4-20
2	532128353	Assembly, Cable
3	532133909	Battery
5	532108236	Bracket, Switch
6	532104445	Switch, Interlock
7	532109553	Switch, Interlock
8	817021008	Screw, Hex Washer Head, Self-Tapping #10-24 x 1/2
9	532122147	Key, Molded
10	532123620	Cover, Ignition Key
11	532124211	Nut, Ignition
12	532125104	Switch, Ignition
14	532124756	Tie, Cable
15	532121305	Switch, Plunger
16	873510500	Nut, Hex, Keps 5/16-18
17	532108824	Fuse
18	532108423	Assembly, Cable
19	532131467	Harness, Ignition
20	873350400	Nut, Hex, Jam 1/4-20
21	810090400	Washer, Lock 1/4
22	874780408	Bolt, Hex, Fin. 1/4-20 UNC x 1/2 Grade 5
23	811050400	Washer, Lock, External Tooth 1/4
24	532131563	Cover, Terminal
25	532138406	Solenoid
26	874760412	Bolt, Hex Head 1/4-20 UNC x 3/4
27	819091016	Washer 9/32 x 5/8 x 16
28	810040400	Washer, Lock 1/4
29	532121264	Cap, Battery
30	873220400	Nut, Hex, Fin. 1/4-20 UNC
35	811050600	Washer, Lock, External Tooth 3/8

HARDWARE SHOWN LARGER FOR EASIER IDENTIFICATION

REPAIR PARTS

10 HP 36" TRACTOR -- LR100, PRODUCT NO. 954 00 05-72 (HU1036A)

FENDER / CHASSIS



KEY NO.	PART NO.	DESCRIPTION
---------	----------	-------------

1	532131810	Fender/Footrest
2	532109238	Tube, Battery Drain
3	532109596	Clamp, Hose
4	532129965	Case, Battery
5	532124144	Pad, Footrest
6	817490512	Screw, Hex Washer Head, Thd., Roll. 5/16-18 x 3/4
7	532131318	Latch, Hood
8	532137890	Hood/Grill Assembly (Includes Key Nos. 9 and 10)
9	532130986	Lens, L.H.
10	532130985	Lens, R.H.
11	532128449	Bracket Assy., Pivot, Frame, L.H.

KEY NO.	PART NO.	DESCRIPTION
---------	----------	-------------

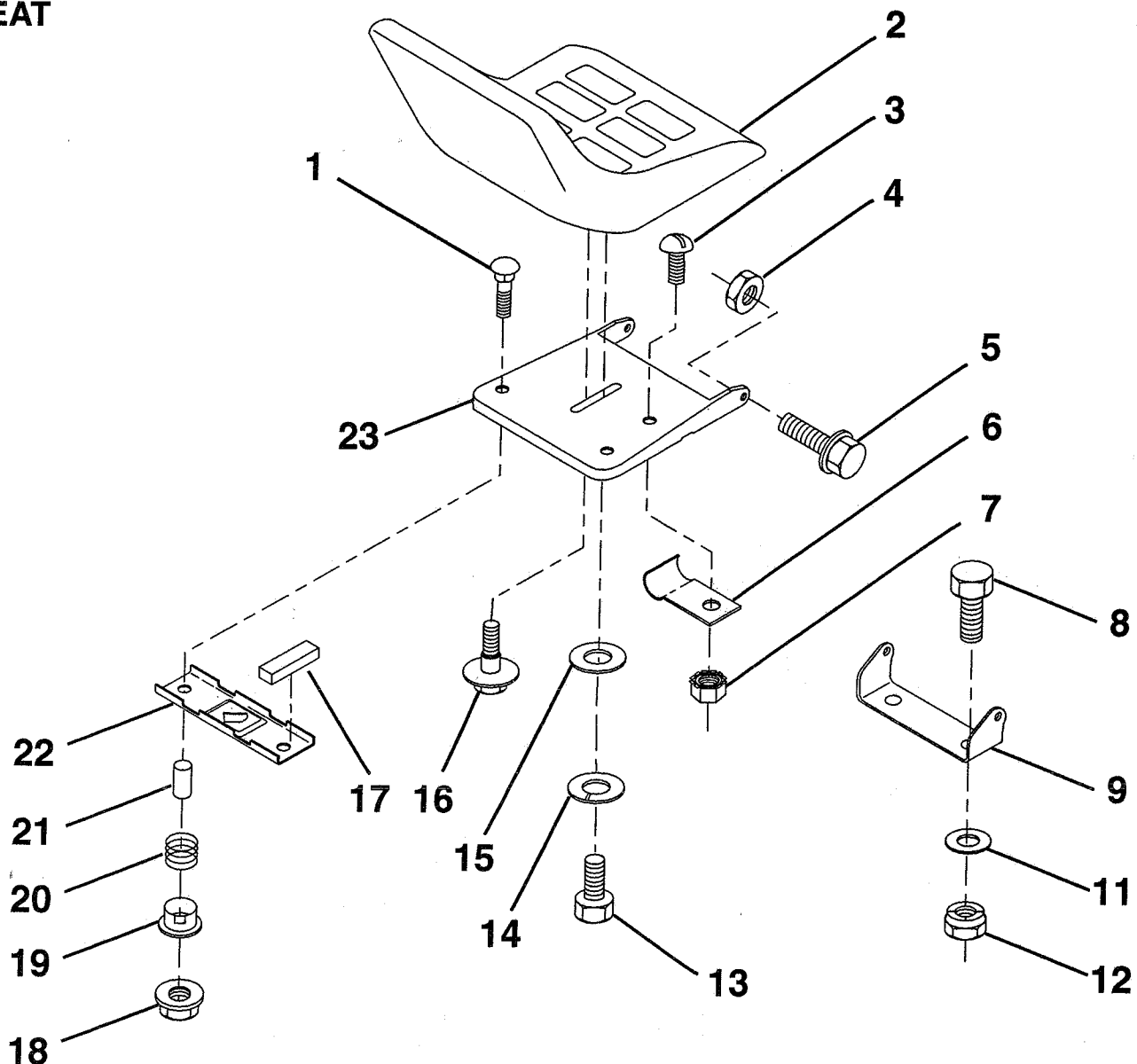
12	532128808	Bracket Assy., Pivot, Frame, R.H.
13	532137097	Assembly, Frame
14	873680500	Nut, Crownlock 5/16-18
15	873510400	Nut, Hex, Keps 1/4-20 UNC
16	874760512	Bolt, Hex Hd. 5/16-18 UNC x 3/4
17	532127880	Drawbar
18	532127115	Plate Assembly, Battery
19	532124181	Spring, Compression, Seat
20	819132012	Washer 13/32 x 1-1/4 x 12 Gauge
21	817490612	Screw, Hex Washer Head, Thd., Roll. 3/8-16 x 3/4
25	817490516	Screw, Thrd RI 5/16 - 18 x 1
26	819091413	Washer 9/32 x 7/8 x 13 Gauge
27	532126938	Bumper, Hood
28	532131319	Plug, Light Socket

HARDWARE SHOWN LARGER FOR EASIER IDENTIFICATION

REPAIR PARTS

10 HP 36" TRACTOR - - LR100, PRODUCT NO. 954 00 05-72 (HU1036A)

SEAT



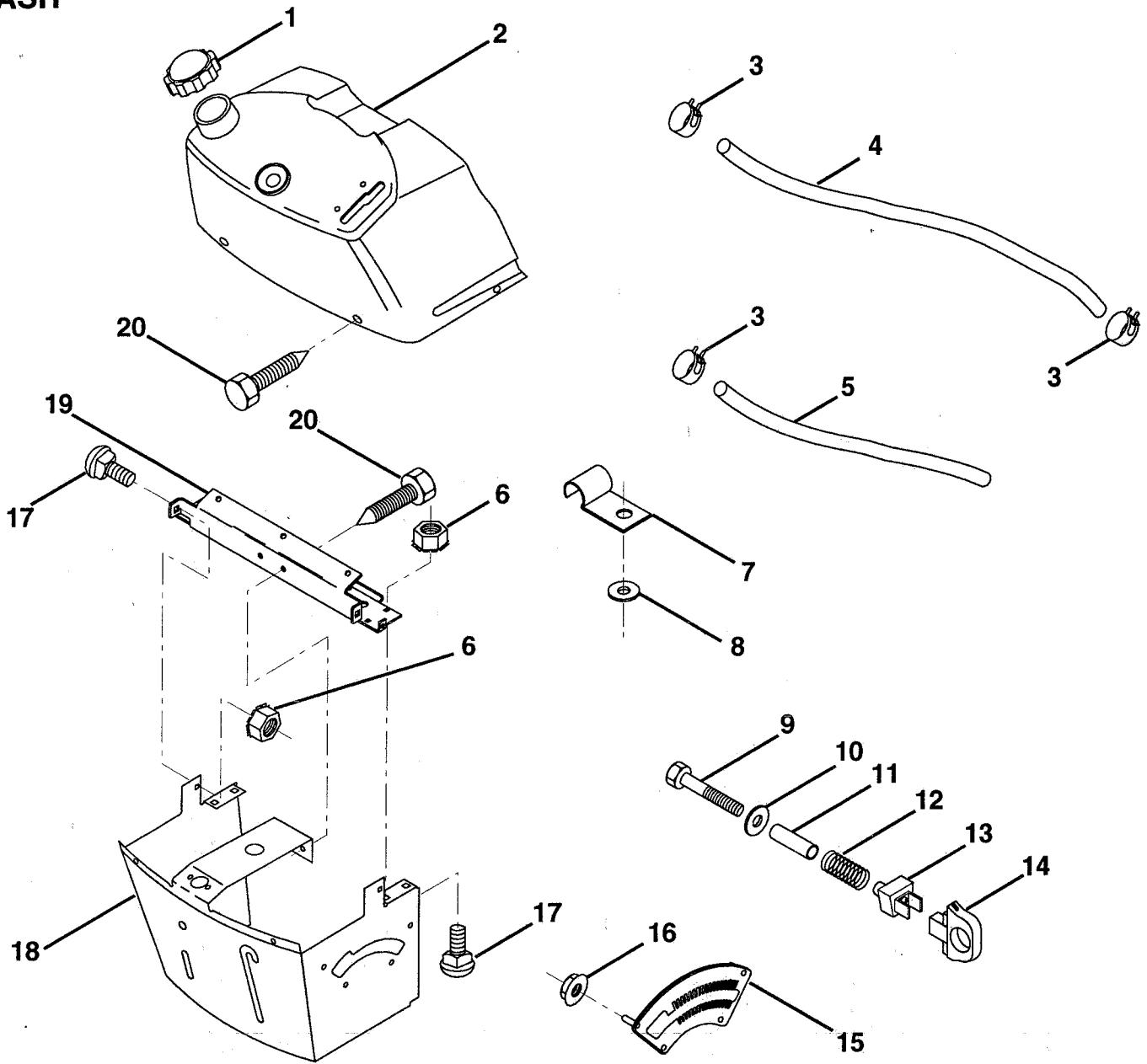
KEY NO.	PART NO.	DESCRIPTION	KEY NO.	PART NO.	DESCRIPTION
1	872050411	Bolt, Carriage 1/4-20 x 1-3/8	13	874780814	Bolt, Hex, Fin. 1/2-13 UNC x 7/8 Grade 5
2	532130875	Seat	14	810040800	Washer, Lock, Heavy Helical Spring
3	874641008	Screw, Slotted Pan Head #10-32 x 1/2	15	819171912	Washer 17/32 x 1-3/16 x 12 Ga.
4	873680500	Nut, Crownlock 5/16-18	16	532127018	Bolt, Shoulder
5	532105529	Bolt, Shoulder 5/16-18 UNC	17	532121251	Strip, Foam
6	532124967	Clip, Insulated	18	532123976	Nut, Hex, Large, Flangelock
7	873951000	Nut, Hex, Keps #10-32 UNF	19	532121248	Bushing, Snap
8	874760612	Bolt, Hex, Fin. 3/8-16 UNC x 3/4	20	532121250	Spring, Compression
9	532126656	Bracket, Pivot, Seat	21	532134300	Spacer, Split
11	819133210	Washer 12/32 x 2 x 10 Gauge	22	532121246	Bracket, Switch Mounting
12	873680600	Nut, Crownlock 3/8-16 UNC	23	532131451	Pan, Seat

HARDWARE SHOWN LARGER FOR EASIER IDENTIFICATION

REPAIR PARTS

10 HP 36" TRACTOR - - LR100, PRODUCT NO. 954 00 05-72 (HU1036A)

DASH



KEY NO.	PART NO.	DESCRIPTION
1	532132735	Cap, Fuel
2	532138394	Assembly, Dash & Fuel Tank
3	532123487	Clamp, Hose
4	532008544	Line, Fuel
5	532008548	Line, Fuel
6	873510400	Nut, Hex, Keps 1/4-20
7	532124996	Clip, Fuel Line
8	819091216	Washer 9/32 x 3/4 x 16 Gauge
9	874760428	Bolt, Hex, Fin. 1/4-20 x 1-3/4
10	819091413	Washer 11/32 x 11/16 x 16 Ga.

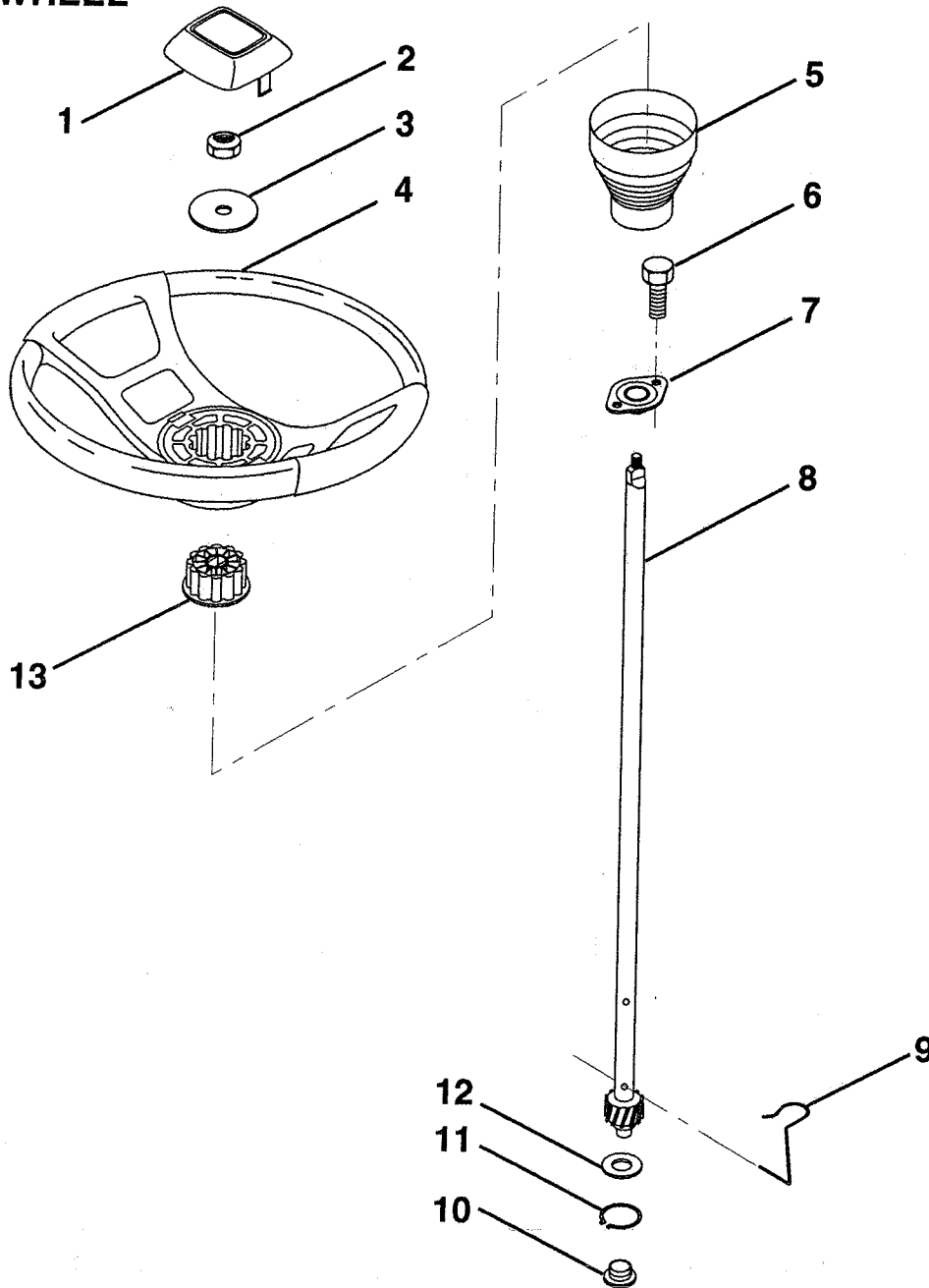
KEY NO.	PART NO.	DESCRIPTION
11	532121249	Spacer, Split
12	532003720	Spring
13	532126450	Clip, Height Adjustment
14	532126115	Knob, Height Stop
15	532122023	Adjustment, Quadrant Height
16	532124346	Nut, Self-Threading 3/16-18
17	872110404	Bolt, Carriage 1/4-20 x 1/2 Gr. 5
18	532130745	Support Assembly, Dash
19	532134744	Brace, Cross
20	817060408	Screw, Self-Tapping 1/4-20 x 1/2

HARDWARE SHOWN LARGER FOR EASIER IDENTIFICATION

REPAIR PARTS

10 HP 36" TRACTOR - - LR100, PRODUCT NO. 954 00 05-72 (HU1036A)

STEERING WHEEL



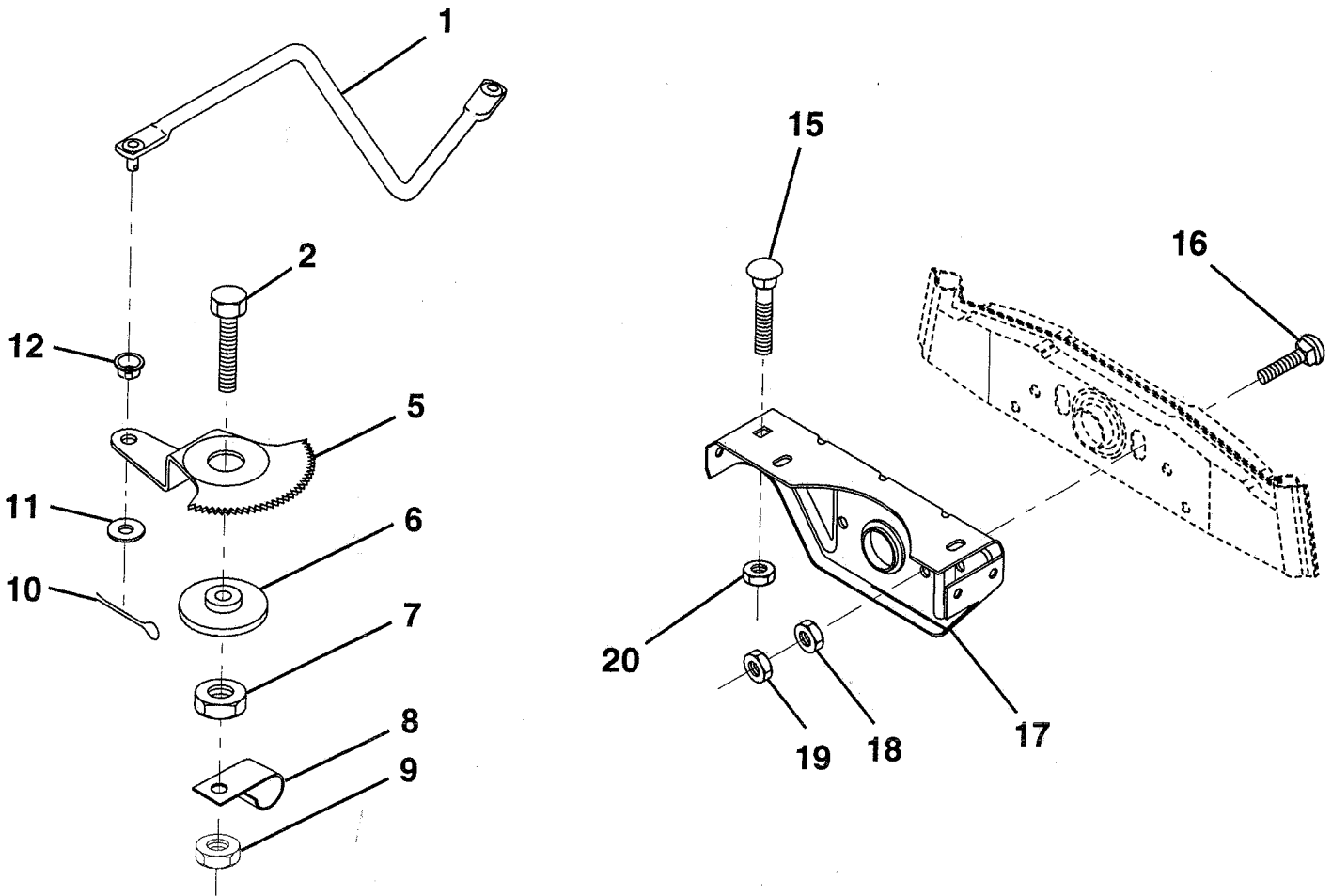
KEY NO.	PART NO.	DESCRIPTION
1	532124416	Insert, Steering Wheel
2	532124701	Locknut, 3/8-24 UNF
3	819133808	Washer 12/32 x 2-3/8 x 8 Gauge
4	532124415	Steering Wheel
5	532127396	Sleeve, Steering
6	817431008	Screw, Hex #10-16 x 1/2 TY-B
7	532102803	Bushing, Steering

KEY NO.	PART NO.	DESCRIPTION
8	532123651	Shaft, Steering
9	532124210	Clip, Steering
10	532123438	Bushing, Lower, Steering
11	812000045	Ring, Retaining
12	819211616	Washer 21/32 x 1 x 16 Gauge
13	532104820	Adaptor, Steering Wheel

HARDWARE SHOWN LARGER FOR EASIER IDENTIFICATION

REPAIR PARTS

10 HP 36" TRACTOR - - LR100, PRODUCT NO. 954 00 05-72 (HU1036A) SECTOR GEAR / AXLE SUPPORT



KEY NO.	PART NO.	DESCRIPTION
1	532132566	Link, Drag
2	874780828	Bolt, Hex, Fin. 1/2-13 x 1-3/4
5	532121926	Gear, Sector
6	532121927	Bushing
7	873030800	Nut, Heavy Hex, Top Lock 1/2-13 UNC
8	532126472	Clip, Insulated
9	873680800	Nut, Crownlock 3/8-16

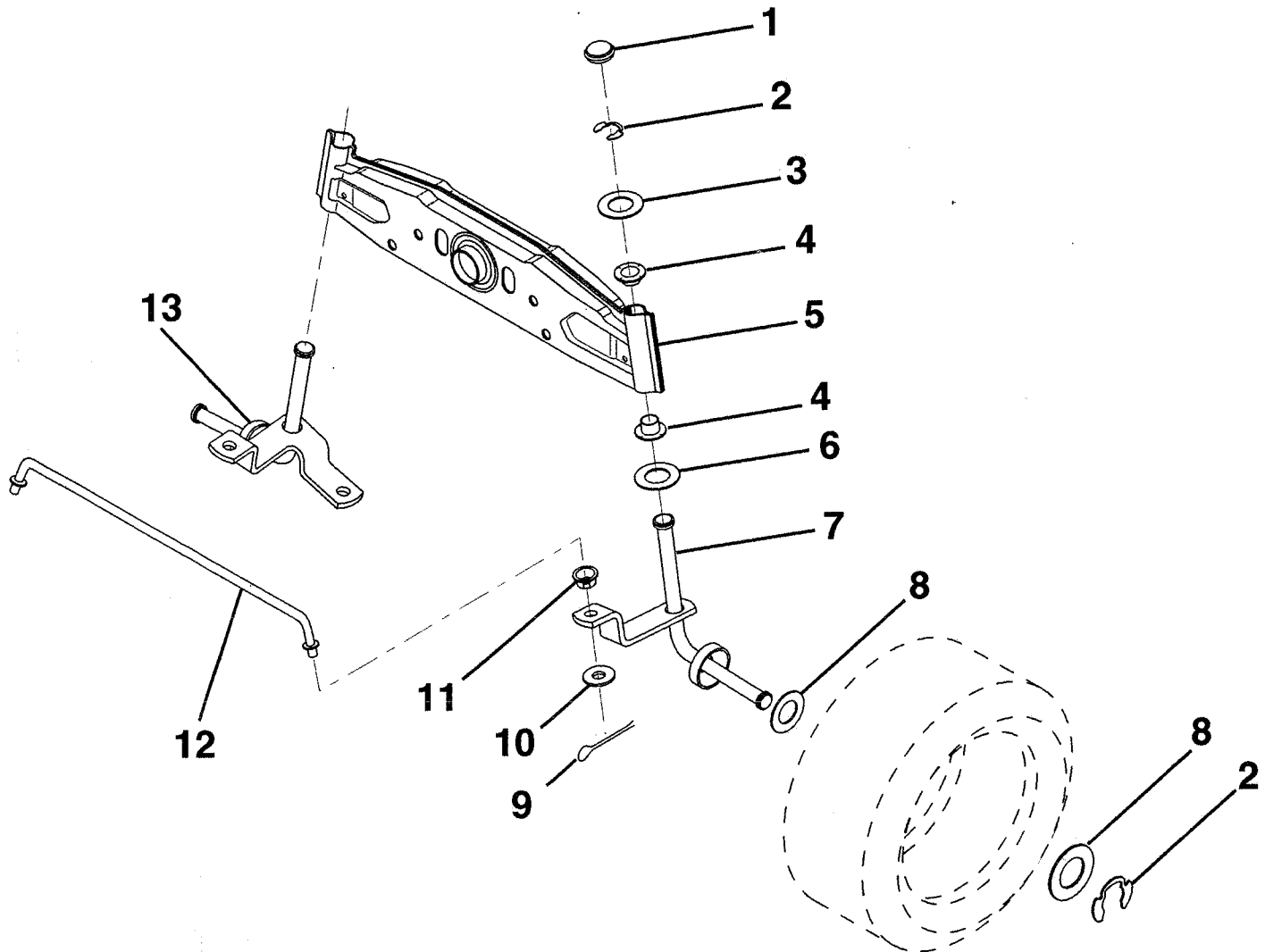
KEY NO.	PART NO.	DESCRIPTION
10	876020412	Pin, Cotter 1/8 x 3/4
11	819131316	Washer 13/32 x 13/16 x 16 Ga.
12	532126847	Bushing
15	872110606	Bolt, Carriage 3/8-16 UNC x 3/4
16	872140622	Bolt, Carriage
17	532121912	Support, Front Axle
18	873220600	Nut, Hex, Fin. 3/8-16 UNC
19	873930600	Nut, Centerlock 3/8-16 UNC
20	873680600	Nut, Crownlock 3/8-16 UNC

HARDWARE SHOWN LARGER FOR EASIER IDENTIFICATION

REPAIR PARTS

10 HP 36" TRACTOR - - LR100, PRODUCT NO. 954 00 05-72 (HU1036A)

FRONT AXLE



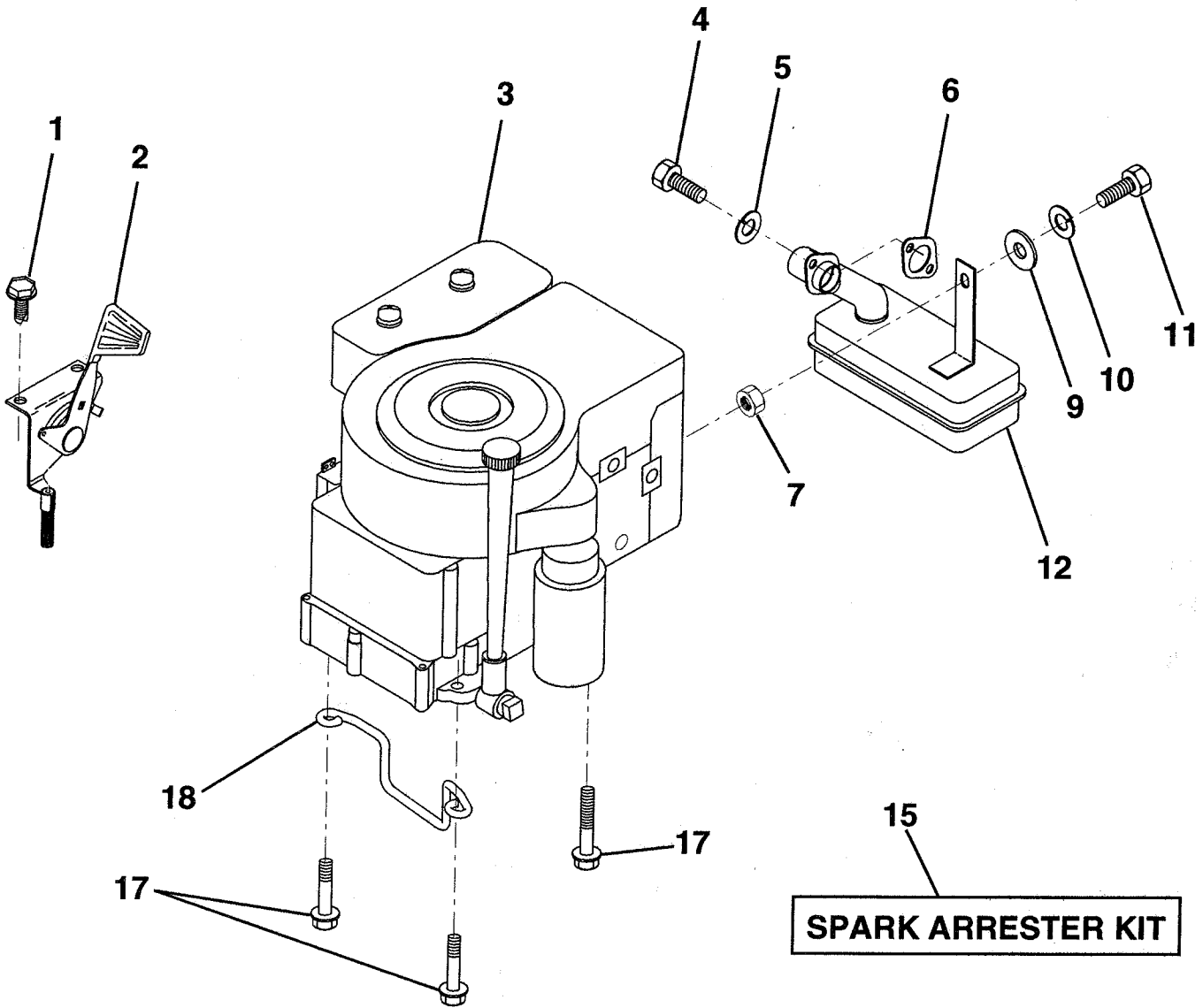
KEY NO.	PART NO.	DESCRIPTION
1	532121232	Cap, Spindle
2	812000029	Ring, Clip
3	532121748	Washer 25/32 x 1-5/8 x 16 Ga.
4	532121922	Nyliner
5	532121914	Axle, Front
6	532124931	Bearing, Thrust
7	532121919	Spindle Assembly, R.H.

KEY NO.	PART NO.	DESCRIPTION
8	532121749	Washer 25/32 x 1-1/4 x 16 Ga.
9	876020412	Pin, Cotter 1/8 x 3/4
10	819131316	Washer 13/32 x 13/16 x 16 Ga.
11	532126847	Bushing
12	532121924	Rod, Tie
13	532121916	Spindle Assembly, L.H.

HARDWARE SHOWN LARGER FOR EASIER IDENTIFICATION

REPAIR PARTS

10 HP 36" TRACTOR - - LR100, PRODUCT NO. 954 00 05-72 (HU1036A)
ENGINE / THROTTLE



KEY NO.	PART NO.	DESCRIPTION
1	817720408	Screw, Hex Head, Thread-Cutting 1/4-20 x 1/2
2	532132752	Control, Throttle
3	---	Engine, Briggs and Stratton Model Number 254707
4	871070512	Screw, Hex Cap Head 5/16-18 x 3/4
5	810040500	Washer, Lock, Heavy Helical Spring 5/16
6	532125593	Gasket, Exhaust

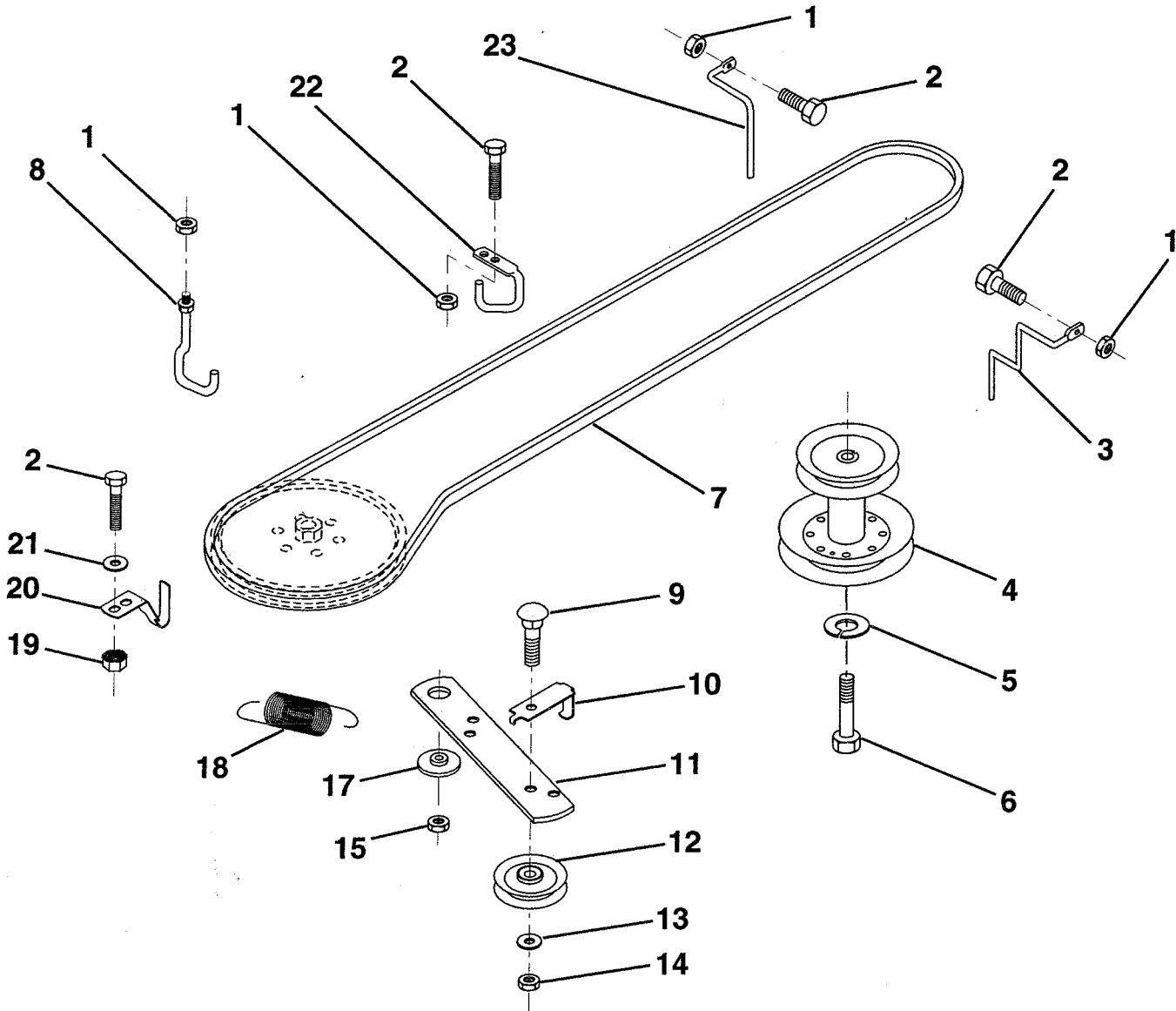
KEY NO.	PART NO.	DESCRIPTION
7	873220500	Nut Fin H 5/16 - 18
9	819101216	Washer 5/16 x 3/4 x 16 Gauge
10	810040400	Washer, Lock, Heavy Helical Spring 1/4
11	874780416	Bolt, Hex, Fin. 1/4-20 UNC x 1
12	532137437	Muffer
15	532137180	Arrester, Spark (Optional)
17	817490624	Screw, Hex Washer Head, Thd., Roll. 3/8-16 x 1-1/2
18	532126636	Keeper, Ground Drive Belt

HARDWARE SHOWN LARGER FOR EASIER IDENTIFICATION

REPAIR PARTS

10 HP 36" TRACTOR - - LR100, PRODUCT NO. 954 00 05-72 (HU1036A)

GROUND DRIVE



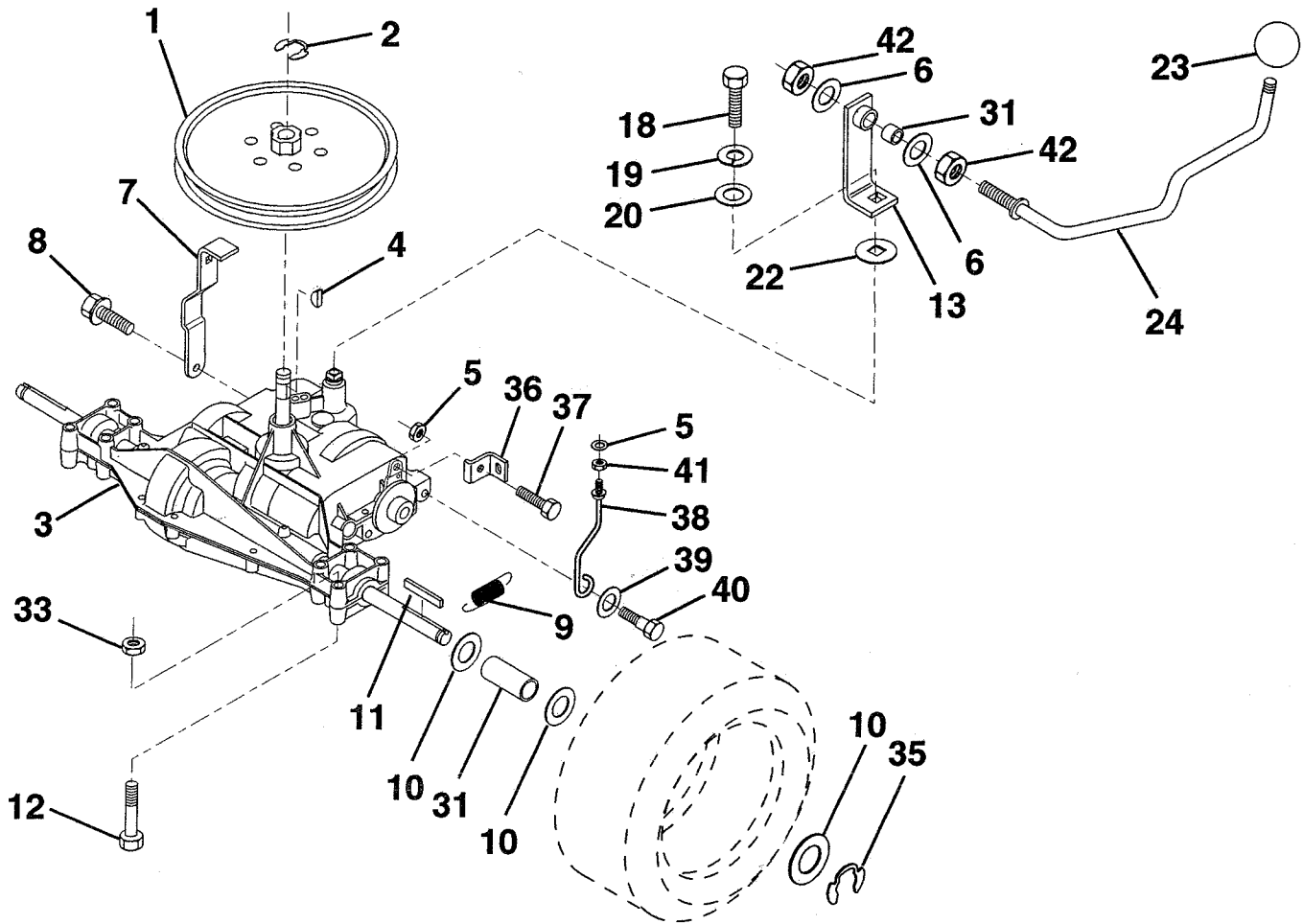
KEY NO.	PART NO.	DESCRIPTION	KEY NO.	PART NO.	DESCRIPTION
1	873680500	Nut, Crownlock 5/16-18	13	819131316	Washer 13/32 x 13/16 x 16 Ga.
2	874760512	Bolt, Hex Hd. 5/16-18 UNC x 3/4	14	873930600	Nut, Centerlock 3/8-16 UNC
3	532131205	Keeper, Mower Drive Belt, R.H.	15	873680600	Nut, Crownlock 3/8-16 UNC
4	532134828	Pulley, Engine	17	532122052	Spacer, Retainer
5	810040700	Washer, Lock 7/16	18	532131459	Spring Extension
6	871170744	Bolt, Hex, Fin. 7/16-20	19	873510500	Nut, Hex, Keps 5/16-18 UNC
7	532124525	Traction, V-Belt, Drive	20	532123891	Keeper, T/A, Ground Drive Belt
8	532123405	Keeper, T/A, Ground Drive Belt	21	819111016	Washer 11/32 x 5/8 x 16 Gauge
9	872140612	Bolt, Carriage 3/8-16 UNC x 1-1/2	22	532123404	Keeper, Frame, Ground Drive Belt
10	532123396	Keeper, Ground Drive, Belt, Idler	23	532131204	Keeper, Mower Drive Belt, L.H.
11	532123395	Clutch Arm, Ground Drive			
12	532004859	Idler, Flat			

HARDWARE SHOWN LARGER FOR EASIER IDENTIFICATION

REPAIR PARTS

10 HP 36" TRACTOR - - LR100, PRODUCT NO. 954 00 05-72 (HU1036A)

TRANSAXLE



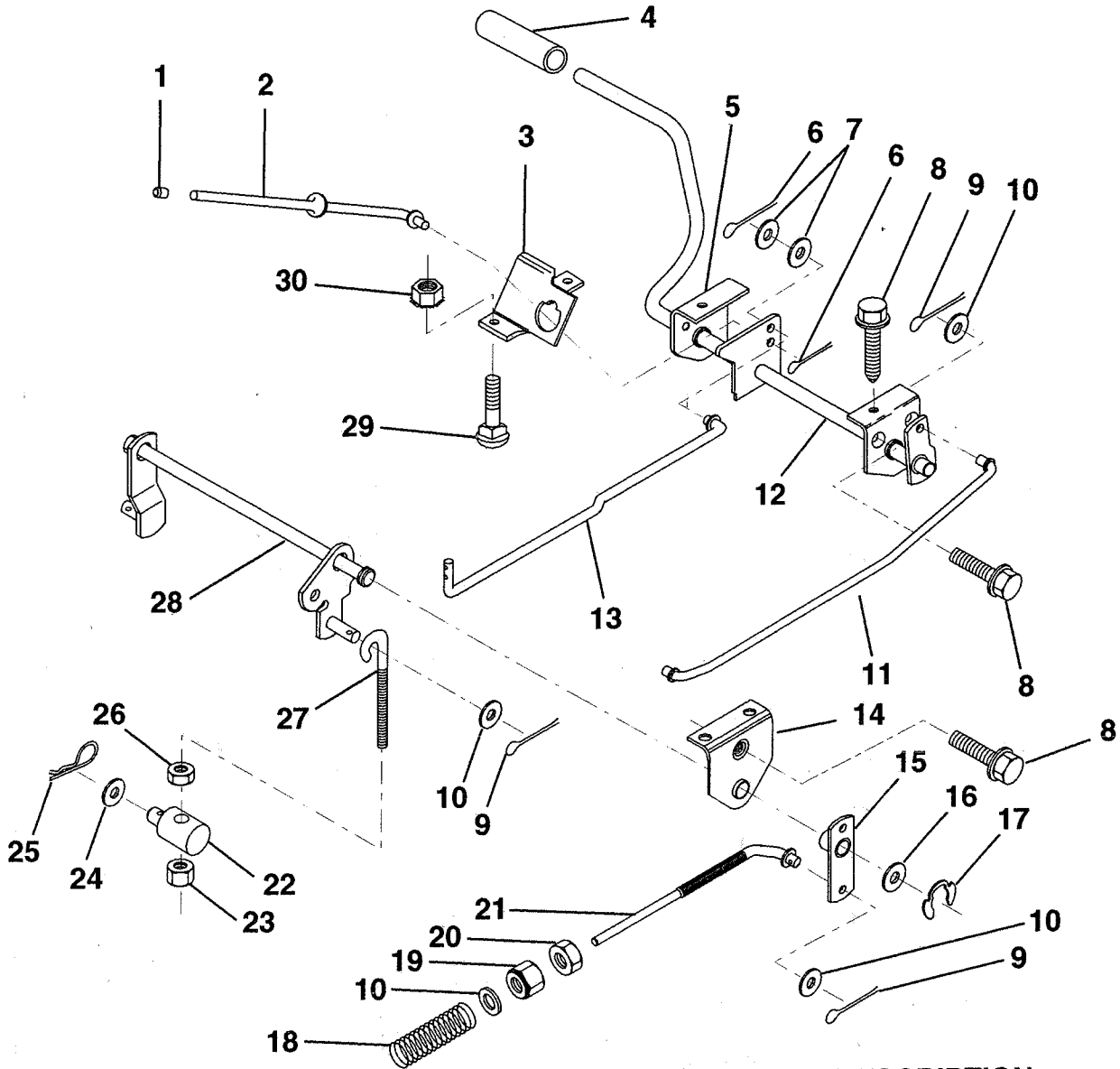
KEY NO.	PART NO.	DESCRIPTION	KEY NO.	PART NO.	DESCRIPTION
1	532123385	Pulley	19	810040400	Washer, Lock 1/4
2	812000028	Ring, Retainer	20	819091210	Washer 9/32 x 3/4 x 10 Gauge
3	-----	Transaxle, Peerless, 5 Speed Model Number 2000-07	22	532105701	Washer, Shift Plate
4	532125096	Key, Woodruff #9	23	532106933	Knob, Shift Control
5	873680500	Nut, Crownlock 5/16-18	24	532131930	Rod, Shift Center
6	819151612	Washer 15/32 x 1 x 12 Ga.	31	532132985	Spacer
7	532133597	Strap, Torque	33	873680600	Nut, Crownlock 3/8 x 16 Unc
8	817490512	Screw, Hex Head, Thd. Roll. 5/16-18 x 3/4	35	812000001	E-Ring
9	532110422	Spring, Brake	36	532131935	Bracket Brake
10	532121749	Washer 25/32 x 1-1/4 x 16 Ga.	37	872140506	Bolt, Carriage 5/16-18 UNC x 3/4
11	532123583	Key, Square	38	532131937	Keeper Belt RH
12	874760644	Bolt Fin Hex 3/8 - 16 x 2 3/4	39	819171612	Washer 1/32 x 1 x 12 Ga.
13	532137491	Bracket Asm., Shft Cntr	40	532132827	Bolt, Shoulder 5/26 - 18
18	871040412	Bolt, Hex Head, Fin. 1/4-28 UNF x 3/4 Grade 8	41	873680500	Nut, Crownlock 5/16 - 18
			42	532065854	Nut, Centerlock

HARDWARE SHOWN LARGER FOR EASIER IDENTIFICATION

REPAIR PARTS

10 HP 36" TRACTOR - - LR100, PRODUCT NO. 954 00 05-72 (HU1036A)

BRAKE / REAR MOWER LIFT ASSEMBLY



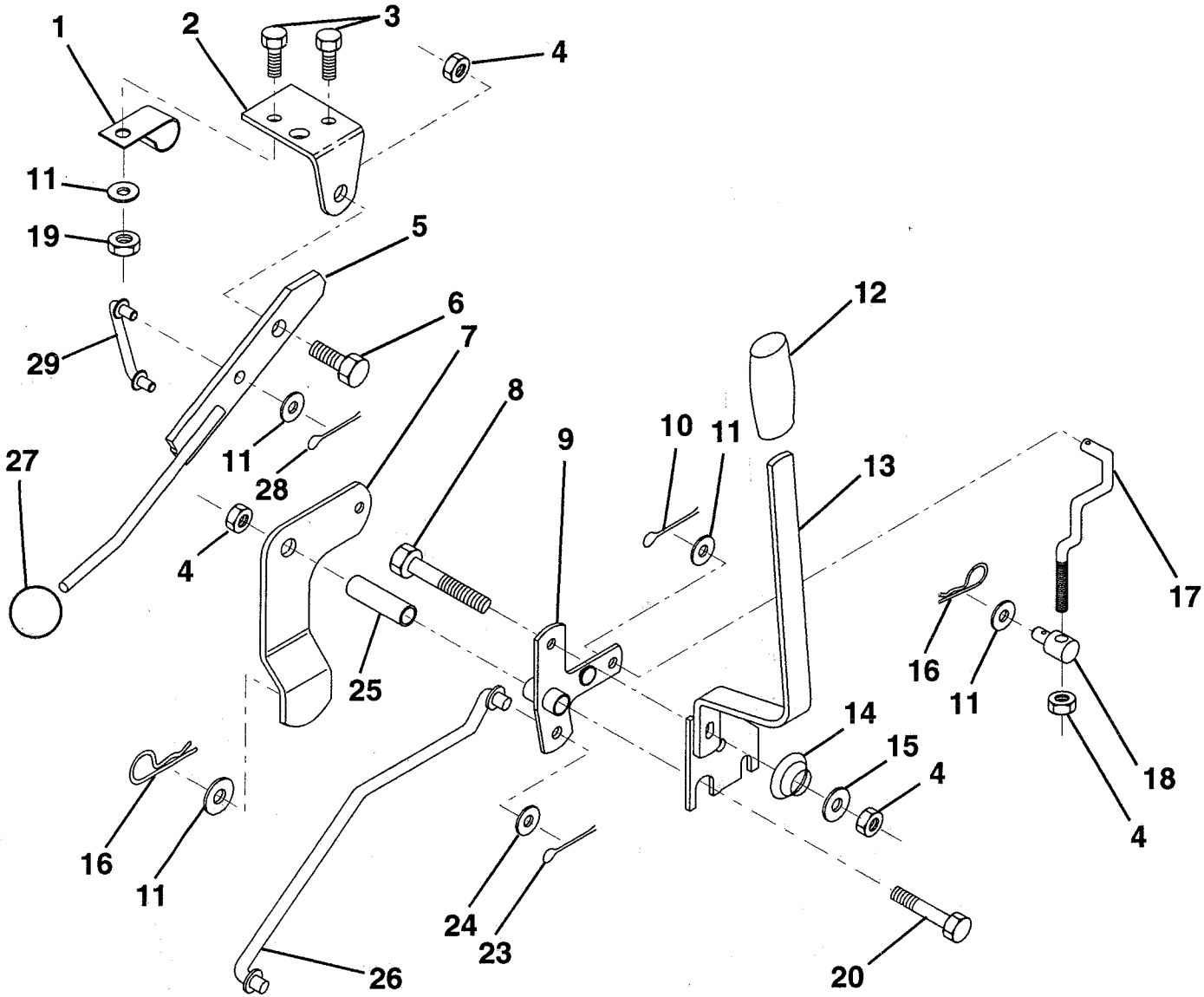
KEY NO.	PART NO.	DESCRIPTION	KEY NO.	PART NO.	DESCRIPTION
1	532071673	Cap, Plunger	16	819251816	Washer 25/32 x 1-1/8 x 16 Ga.
2	532123436	Rod, Parking Brake	17	812000034	Ring, Klip
3	532123437	Bracket, Parking Brake	18	532106888	Spring, Brake Rod
4	532008156	Cover, Pedal	19	873800600	Locknut, Hex, with Washer Insert 3/8-16 UNC
5	532122504	Bracket, Clutch/Brake Pedal, L.H.	20	873350600	Nut, Hex, Jam 3/8-16 UNC
6	876020312	Pin, Cotter 3/32 x 3/4	21	532131936	Rod, Rear, Brake
7	819131016	Washer 13/32 x 5/8 x 16 Gauge	22	532127378	Trunnion, Lift
8	817490508	Screw, Hex Head, Thd., Roll. 5/16-18 x 1/2	23	873680600	Nut, Crownlock 3/8-16 UNC
9	876020412	Pin, Cotter 1/8 x 3/4	24	819132012	Washer 13/32 x 1-1/4 x 12 Ga.
10	819131316	Washer 13/32 x 13/16 x 16 Ga.	25	532124961	Spring, Retainer
11	532123543	Rod, Brake Front	26	873930600	Nut, Centerlock 3/8-16 UNC
12	532129567	Assembly, Clutch/Brake Pedal	27	532127369	Link, Threaded
13	532123394	Rod, Clutch	28	532127358	Assembly, Rear Mower Lift
14	532121978	Bracket, Lift, Shaft	29	872110506	Bolt, Carriage 5/16-18 UNC x 3/4
15	532123641	Assembly, Brake, Pivot, Arm	30	873510500	Nut, Hex, Keps 5/16-16 UNC

HARDWARE SHOWN LARGER FOR EASIER IDENTIFICATION

REPAIR PARTS

10 HP 36" TRACTOR - - LR100, PRODUCT NO. 954 00 05-72 (HU1036A)

MOWER LIFT LEVER



KEY NO.	PART NO.	DESCRIPTION
1	532126470	Clip, Insulated
2	532122018	Bracket, Mower Clutch
3	874780408	Bolt, Hex Head, Fin. 1/4-20 UNC x 1/2 Grade 5
4	873680600	Nut, Crownlock 3/8-16 UNC
5	532123417	Clutch Lever Assembly
6	532106451	Bolt, Shoulder
7	532135371	Assembly, Mower Clutch Arm
8	874760636	Bolt, Hex 3/8-16 UNC x 2-1/4
9	532121930	Lift Bracket Assembly
10	876020412	Pin, Cotter 1/8 x 3/4
11	819131316	Washer 13/32 x 13/16 x 16 Ga.
12	532131861	Grip, Handle
13	532127028	Assembly, Lift Handle

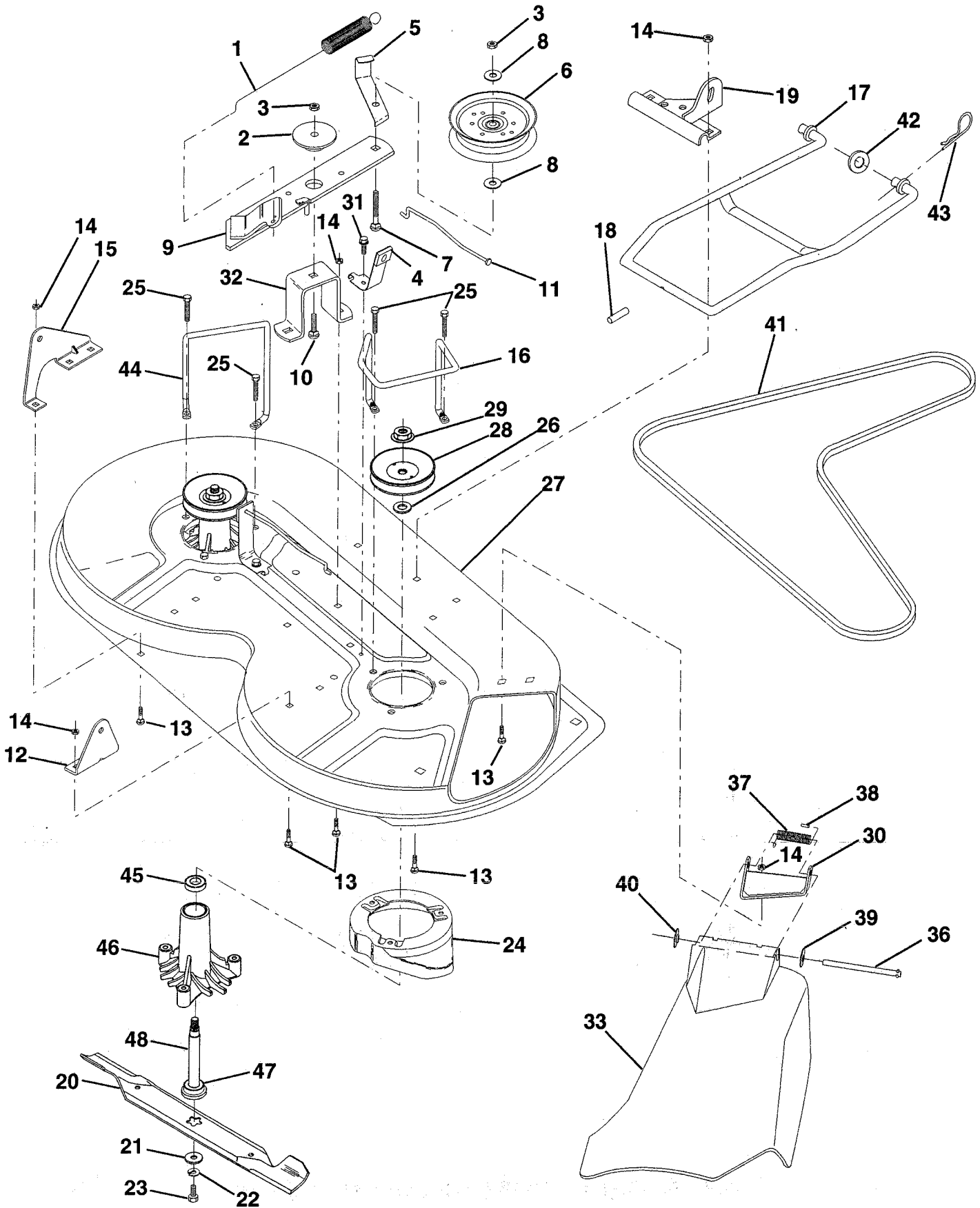
KEY NO.	PART NO.	DESCRIPTION
14	532123496	Spring, Compression
15	819131212	Washer 13/32 x 3/4 x 12 Gauge
16	532124961	Retainer, Spring
17	532127359	Link, Front Lift
18	532133205	Trunnion, Threaded 3/8-16
19	873680400	Nut, Crownlock 1/4-20
20	874760644	Bolt, Hex Head, Fin. 3/8-16 UNC x 2-3/4
23	876020416	Pin, Cotter 1/8 x 1
24	819171616	Washer 17/32 x 1 x 16 Gauge
25	532121933	Tube, Spacer
26	532121934	Rod, Mower Lift
27	532106932	Knob
28	876020312	Pin, Cotter 3/32 x 3/4
29	532131655	Link, Mower Clutch

HARDWARE SHOWN LARGER FOR EASIER IDENTIFICATION

REPAIR PARTS

10 HP 36" TRACTOR -- LR100, PRODUCT NO. 954 00 05-72 (HU1036A)

MOWER DECK



REPAIR PARTS

10 HP 36" TRACTOR - - LR100, PRODUCT NO. 954 00 05-72 (HU1036A)

MOWER DECK

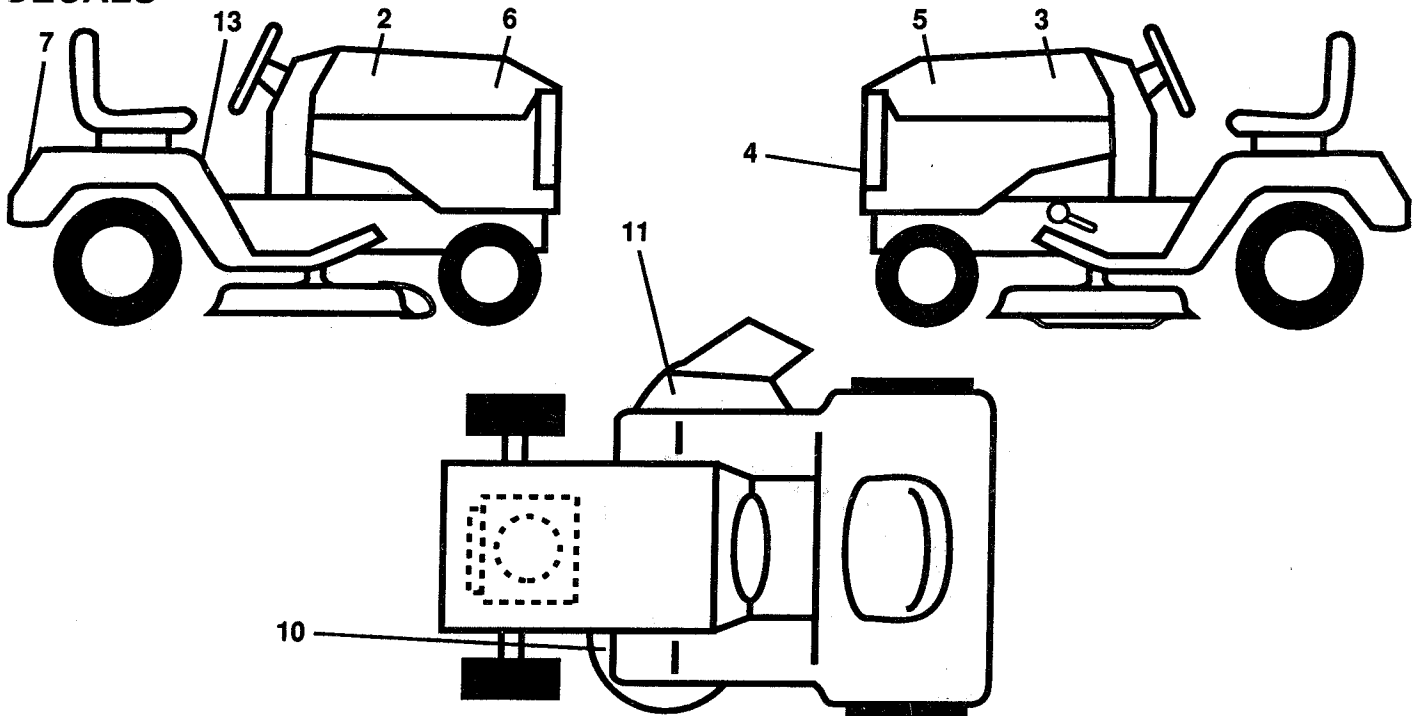
KEY NO.	PART NO.	DESCRIPTION
1	532127743	Spring, Mower Clutch
2	532122052	Spacer, Retainer
3	873680600	Nut, Crownlock
4	532130840	Brake Assembly
5	532131251	Guide, Belt, Idler
6	532121316	Pulley, Flat, Idler
7	872110616	Bolt, Carriage 3/8-16 x 2 Grade 5
8	819131410	Washer 13/21 x 7/8 x 10 Gauge
9	532127744	Arm Assembly, Idler, Mower
10	872110608	Bolt, Carriage 3/8-16 x 1
11	532130841	Rod, Brake
12	532127356	Bracket, Lift, Rear, R.H.
13	872140505	Bolt, Carriage 5/16-18 x 5/8
14	873680500	Nut, Crownlock 5/16-18
15	532127357	Bracket, Lift, Rear, L.H.
16	532130837	Keeper, R.H.
17	532128508	Link Assembly, Mower Stabilizer
18	532128511	Pin, Drive
19	532127380	Bracket, Assembly, Front
20	532138496	Blade
21	532129962	Washer, Hardened
22	810030600	Washer, Lock 3/8
23	532850857	Bolt 3/8-24 x 1-1/4 Grade 8
24	532136929	Stripper
25	532078158	Bolt 5/16-18 x 1-1/4
26	532129963	Washer .150 Thick
27	532129983	Housing Assembly
28	532129207	Pulley, Mandrel
29	873050900	Nut, Flangelock 9/16
30	532136631	Bracket, Assembly, Deflector
31	817490508	Screw, Hex Washer Head, Thd., Roll. 5/16-18 x 1/2
32	532122051	Arm, Support, Idler, Mower
33	532131560	Deflector
36	532121980	Rod, Hinge
37	532123713	Spring, Torsion, Deflector
38	532105304	Cap, Sleeve
39	819111016	Washer 11/32 x 5/8 x 16 Gauge
40	532110452	Push Nut
41	532131264	V-Belt
42	819171616	Washer 11/32 x 5/8 16 Gauge
43	532124660	Retainer, Spring
44	532130836	Keeper, L.H.
45	532110485	Bearing
46	532128774	Housing, Mandrel, Vented
47	532129895	Bearing
48	532133172	Shaft, Mandrel (Includes Key Number 47)
--	532128774	Mandrel Assembly (Includes Key No.'s 22, 23, 26, 29 and 45-48)
--	532136317	Mower Deck, Complete

HARDWARE SHOWN LARGER FOR EASIER IDENTIFICATION

REPAIR PARTS

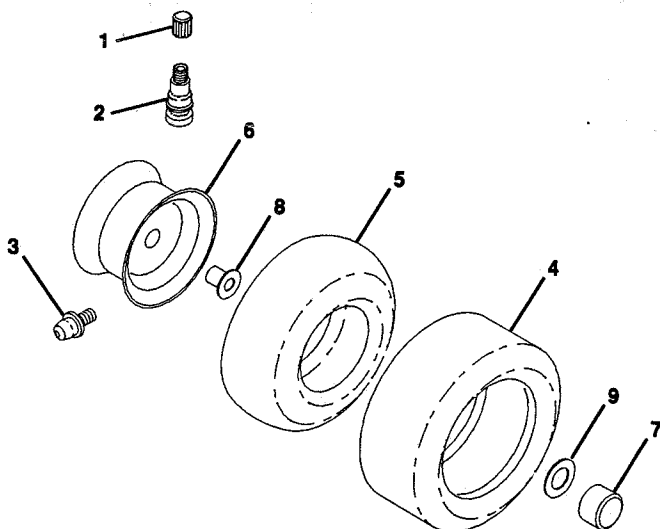
10 HP 36" TRACTOR - - LR100, PRODUCT NO. 954 00 05-72 (HU1036A)

DECALS



KEY PART NO.	PART NO.	DESCRIPTION	KEY PART NO.	PART NO.	DESCRIPTION
2	532137540	Decal, Stripe, Hood, R.H.	10	532123649	Decal, Caution, Deflector (French / English)
3	532137541	Decal, Stripe, Hood, L.H.	11	532137259	Decal, Warning, Cut Finger (Swedish / Danish / Finnish / Norwegian)
4	532125989	Decal, Grill	--	532138698	Manual, Operator's (English)
5	532139089	Decal, Insert, Hood, LH	--	532138699	Manual, Operator's (French)
6	532139088	Decal, Insert, Hood, RH	--	532138700	Manual, Parts (English/French)
7	532131582	Decal, Logo, Fender	13	532133795	Decal, Caution (English / French)
--	532123637	Decal, Instruction, Warning (French / German / English / Dutch)			

WHEELS AND TIRES



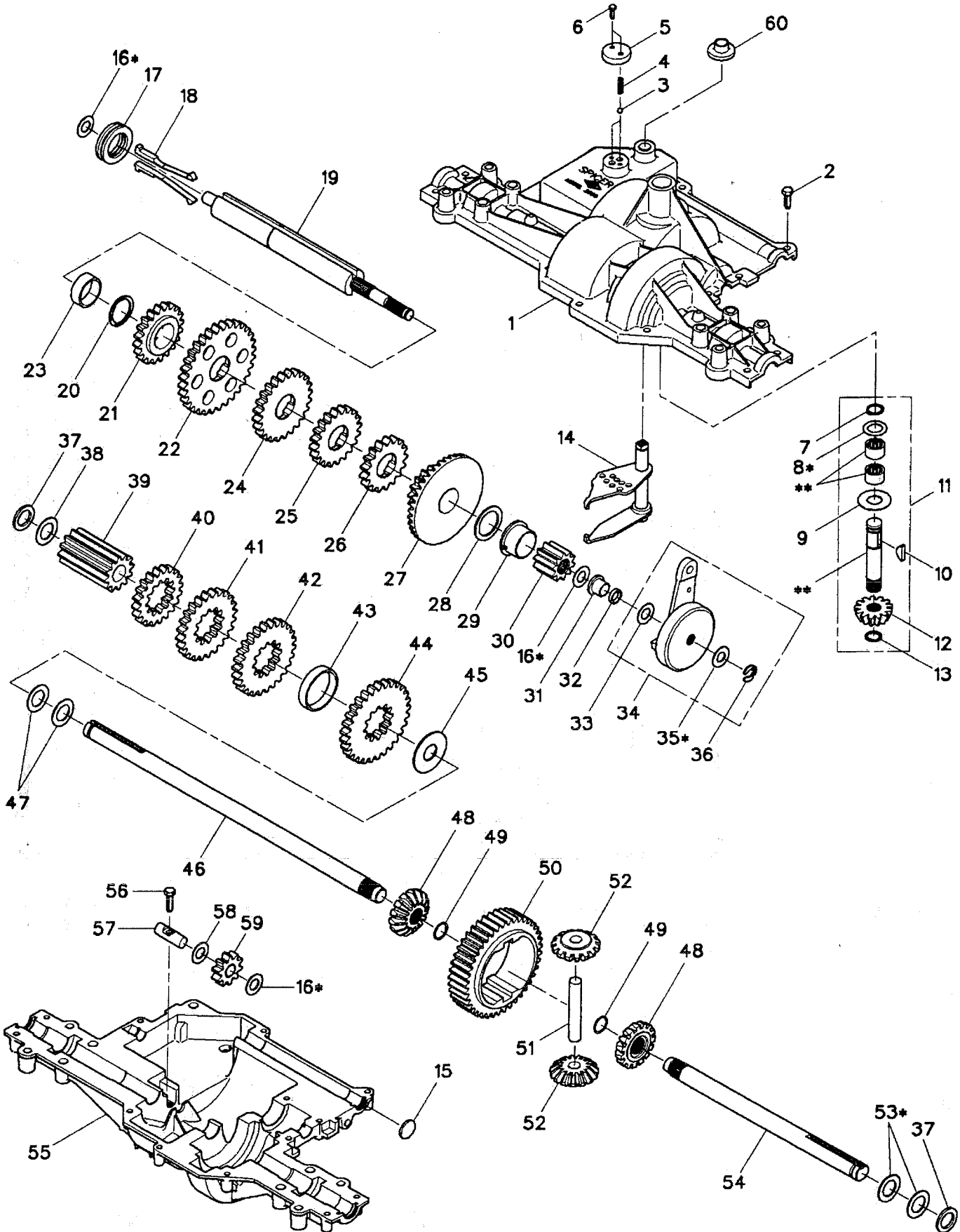
KEY PART NO.	PART NO.	DESCRIPTION
1	532059192	Cap, Valve, Tire
2	532065139	Stem, Valve
3	532124957	Fitting, Grease
4	532124142	Tire, Front
	532124143	Tire, Rear
5	532059904	Tube, Front Tire
	532008134	(Optional, Service Item Only) Tube, Rear Tire
6	532124972	Rim Assembly, Front
	532124973	Rim Assembly, Rear
7	532104757	Cap, Axle
8	532124959	Bearing, Flange
9	532121748	Washer 25/32 x 1-5/8 x 16 Gauge

NOTE: All component dimensions given in U.S. inches
1 inch = 25.4 mm.

REPAIR PARTS

10 HP 36" TRACTOR - - LR100, PRODUCT NO. 954 00 05-72 (HU1036A)

DANA TRANSAXLE - MODEL NUMBER 2000-07



REPAIR PARTS

10 HP 36" TRACTOR - - LR100, PRODUCT NO. 954 00 05-72 (HU1036A)

DANA TRANSAXLE - MODEL NUMBER 2000-07

KEY NO.	PART NO.	DESCRIPTION	KEY NO.	PART NO.	DESCRIPTION
1	5151-B	Housing, Upper	35	4692	Assembly, Kit, Shim .464 Shaft
2	1919	Screw, Tapping, Large 1/4-20 x .734	36	5251	Klip Ring
3	5112	Ball, Detent	37	5130	Washer, Neoprene
4	5185	Spring, Detent	38	3180	Washer, Plain .758 x 1.25 x .062
5	5184	Cover, Detent	39	5160	Gear, Spur, 12 Teeth
6	3035	Screw, Tapping, Large #8-32 x .50	40	3983	Gear, Spur, 20 Teeth
7	1099	Ring, Retaining	41	5163	Gear, Spur, 24 Teeth
8	4689	Assembly, Kit, Shim .625 Shaft	42	5162	Gear, Spur, 26 Teeth
9	3876	Washer, Plain .632 x 1.38 x .046	43	5240	Spacer 1.710 x 1.910 x .375
10	1374	Key, Woodruff, #9	44	5161	Gear, Spur, 29 Teeth
11	4687	Assembly, Kit, Input Shaft	45	3955	Washer, Plain .758 x 1.88 x .062
12	3936	Pinion, Bevel, 13 Teeth	46	5221	Axle, L.H.
13	3956	Ring, Retaining	47	3184	Washer, Plain .758 x 1.25 x .031
14	4623	Assembly, Shifter	48	3780	Gear, Miter, 15 Teeth
15	5196	Seal	49	3656	Ring, Retaining
16	4690	Assembly, Kit, Shim .500 Shaft	50	5181	Gear, Spur, 41 Teeth
17	3631	Collar, Clutch	51	3919	Shaft, Cross
18	4688	Assembly, Kit, Clutch Keys	52	3781	Gear, Miter, 15 Teeth
19	5165	Shaft, Drive	53	4691	Assembly, Kit, Shim .750 Shaft
20	3627	Ring, Retaining	54	5222	Axle, R.H.
21	5155	Gear, Spur, 20 Teeth	55	5150-A	Housing, Lower
22	5154	Gear, Spur, 32 Teeth	56	3396	Screw, Tapping, Large 1/4-20 x .875
23	5239	Spacer 1.130 x 1.330 x .465	57	3987	Shaft, Idler
24	5152	Gear, Spur, 24 Teeth	58	3888	Washer, Plain .505 x .942 x .020
25	5149	Gear, Spur, 20 Teeth	59	5293	Gear, Spur, 10 Teeth
26	5148	Gear, Spur, 17 Teeth	60	5024	Boot, Shifter
27	5238	Gear, Bevel, 39 Teeth, and Spur, 15 Teeth	61	4300	Grease
28	5201	Washer, Plain 1.135 x 1.56 x .062	*		Use in various combinations to maintain proper clearances.
29	5183	Bearing, Flange	**		Order Key Number 11.
30	5180	Gear, Spur, 10 Teeth			
31	5182	Bearing, Flange			
32	5258	Seal			
33	3887	Washer, Plain .505 x .942 x .015			
34	4728	Assembly, Kit, Brake Cone			

NOTE: All component dimensions given in U.S. inches
1 inch = 25.4 mm