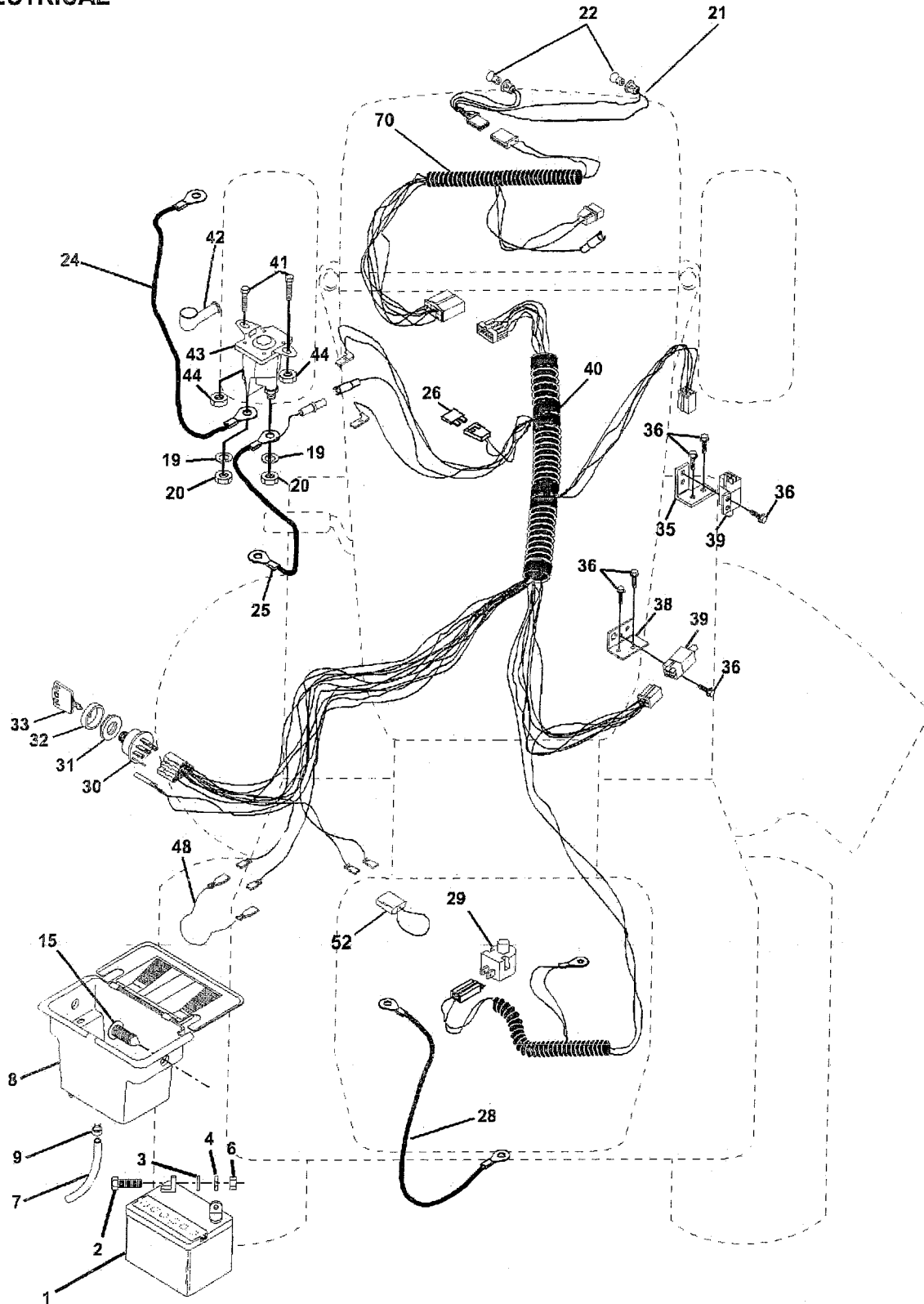


REPAIR PARTS

TRACTOR - MODEL NO. LT130 (954830071A)

ELECTRICAL



REPAIR PARTS**TRACTOR - MODEL NO. LT130 (954830071A)****ELECTRICAL**

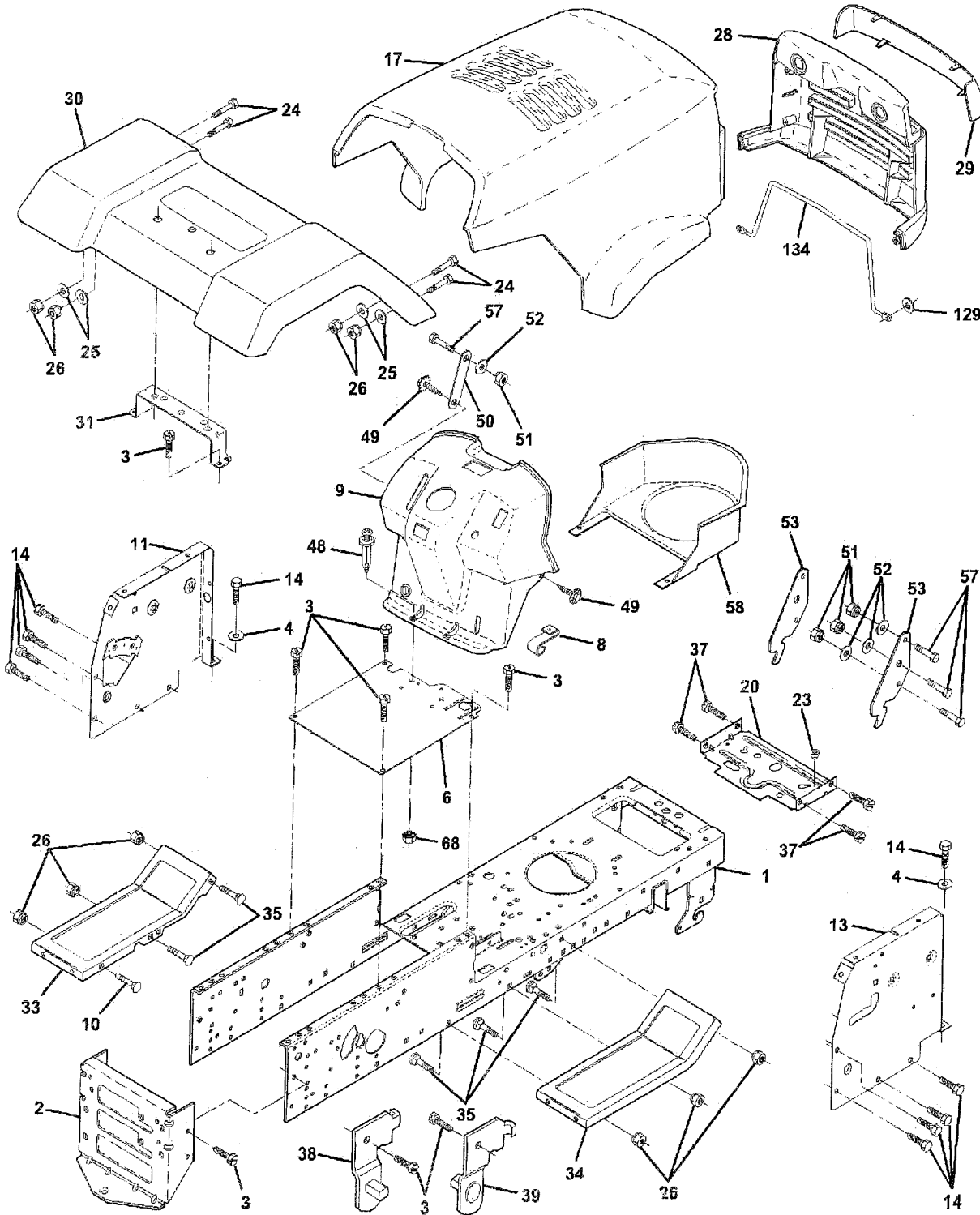
KEY NO.	PART NO.	DESCRIPTION
1	532144925	Battery 12 Volt 25 AMP
2	874760412	Bolt Hex Hd 1/4-20unc X 3/4
3	819091016	Washer 9/32 X 5/8 X 16 Ga.
4	810040400	Washer Lock Hvy Helical 1/4
6	873220400	Nut Fin Hex 1/4-20 Unc
7	532109238	Tube Plastic 12"
8	532144940	Case Battery w/2 holes 2 battery
9	532109596	Clamp Hose Olive
15	532147688	Fastener Snap-In
19	810090400	Washer Lock 1/4
20	873350400	Nut Jam Hex 1/4-20 Unc
21	532147430	Harness Asm Light W/4152j
22	532004152	Bulb Light #1156
24	532124780	Cable Battery 6 Ga 11" red
25	532146147	Cable Battery 6 Ga 44" red w/16 wire
26	532108824	Fuse 30 AMP Auto Green
28	532124773	Cable Ground 6 Ga 12" black
29	532121305	Switch Plunger Nc Gray
30	532140301	Switch Ign 4 pos w/lights
31	532124211	Nut Ignition
32	532141226	Cover Sw Ignition
33	532122147	Key Ign Modleded Generic
35	532108236	Bracket Switch Clutch
36	817021008	Screw Tap Hex #10-24unc X 1/2
38	532140336	Bracket, Switch, Interlock
39	532109553	Switch Intlk Clutch Red 4 Term
40	532151212	Harness Ign. Lt P/L Mech HM 95
41	871110408	Bolt Bk Fin Hex 1/4 - 20 x 1/2
42	532131563	Cover Terminal Red
43	532145673	Solenoid
44	873640400	Nut Keps Hex 1/4-20 Unc
48	532140844	Adapter Ammeter Rectangular
52	532141940	Protection Wire Loop
70	532141163	Harness, Eng.

NOTE: All component dimensions given in U.S. inches.
1 inch = 25.4 mm.

REPAIR PARTS

TRACTOR - MODEL NO. LT130 (954830071A)

CHASSIS AND ENCLOSURES



REPAIR PARTS**TRACTOR - MODEL NO. LT130 (954830071A)****CHASSIS AND ENCLOSURES**

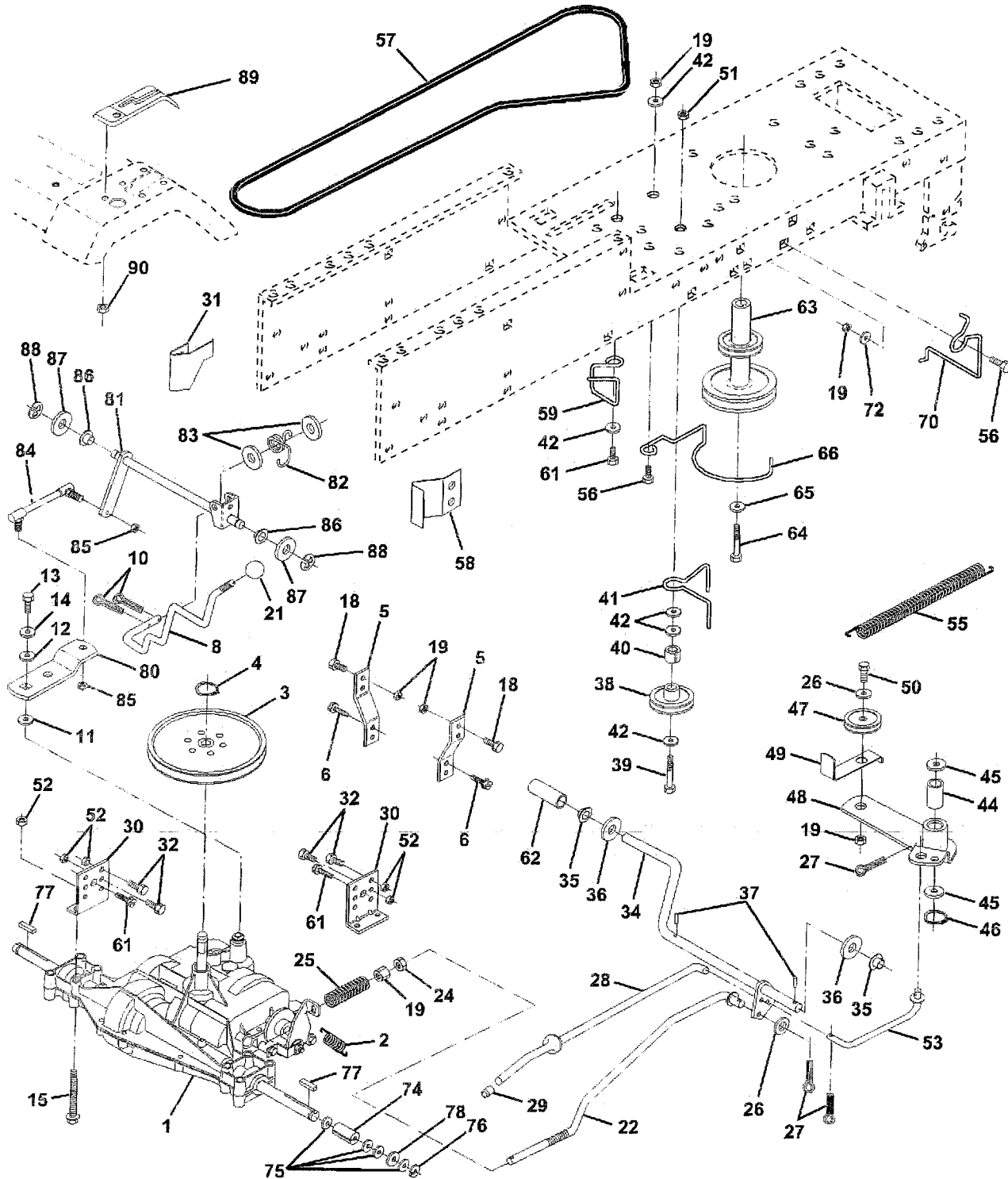
KEY NO.	PART NO.	DESCRIPTION
1	532145501	Chassis Weldment 11ga
2	532140356	Drawbar, Stretch
3	817490612	Screw Thdrol 3/8-16x3/4 Ty-tt
4	819131216	Washer 13/32 x 3/4 x 16 Ga.
6	532145206	Saddle LT Fender Shift
8	532126471	Clip Insulator .406 Mtg Hole
9	532151011	Dash P/L M, N/AMM N/HM Grey
10	872140608	Bolt Carriage 3/8-16 x 1
11	532146965	Panel Pnt Dash Lh
13	532146959	Panel Dash Rh Weldment
14	817490608	Screw Thdrol 3/8-16x1/2 Ty-tt
17	532149775	Hood LT/PL Husqvarna
20	532145210	Plate Mtg Battery Fuel tank 95
23	532124028	Bushing
24	874780616	Bolt Fin Hex 3/8-16unc X 1 Gr. 5
25	819131312	Washer 13/32 X 13/16 X 12 Ga
26	873800600	Nut Lock Hex W/Ins 3/8-16 Unc
28	532149776	Grille LT/PL Husqvarna
29	532149777	Lens LT/PL Husqvarna
30	532143050	Fender Pnt
31	532136619	Bracket Pnt Fender
33	532147203	Footrest Pnt Lh
34	532147202	Footrest Pnt Rh
35	872110606	Bolt Rdhd Sht Sqnk 3/8-16 X3/4
37	817490508	Screw Thdrol 6/16-18 x 1/2 TYT
38	532139886	Bracket, Asm. Pivot, L.H., Mower Rear
39	532139887	Bracket, Asm. Pivot, R.H., Mower Rear
48	532138096	Rivet Push Plate D Plastick Blk
49	817490412	Screw Hexwsh. Thdrol 1/4-20 x 3/4
50	532142779	Brace
51	873800400	Nut Lock Hex W/Ins 1/4-20
52	819091416	Washer 9/32 x 7/8 x 16 Ga.
53	532150067	Bracket Pnt. Pick off LT/PL Husq.
57	874780412	Bolt Hex 1/4-20 x 3/4
58	532140806	Air Duct P/L
68	873510400	Nut Keps Hex 1/4-20
129	819091016	Washer 9/32 x 5/8 x 16 Ga.
134	532150132	Rod Support Hood LT/PL Husq.
--	532005479	Plug Button
--	532134014	Plug Dome Blk

NOTE: All component dimensions given in U.S. inches. 1
inch = 25.4 mm

REPAIR PARTS

TRACTOR - MODEL NO. LT130 (954830071A)

DRIVE



REPAIR PARTS**TRACTOR - MODEL NO. LT130 (954830071A)****DRIVE**

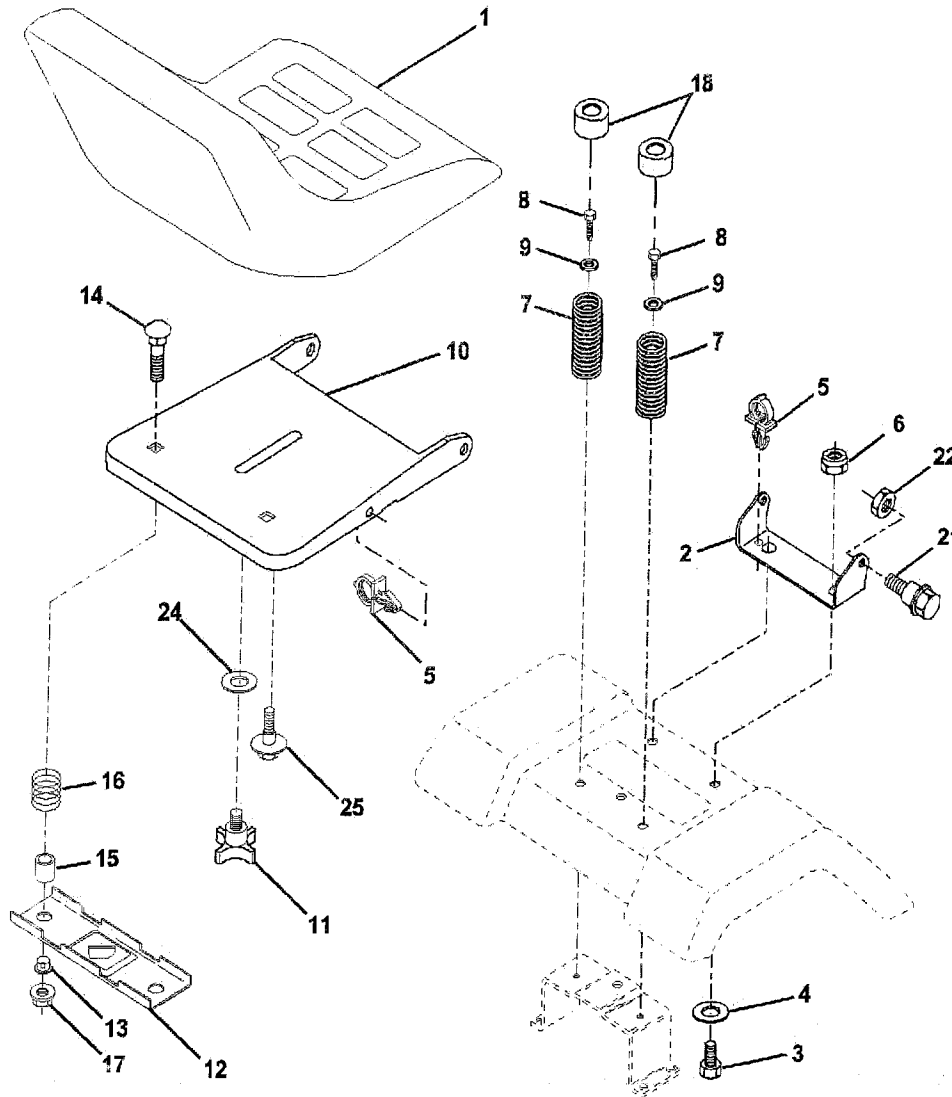
KEY PART NO. NO.	DESCRIPTION	KEY PART NO. NO.	DESCRIPTION
1	532142603	47	532127783
2	532146682	48	532123789
3	532123666	49	532123205
4	812000028	50	874760624
5	874490544	51	873680600
6	817490512	52	873680500
8	532141003	53	532105710
10	876020416	55	532105709
11	532105701	56	874760620
12	819151216	57	532130801
13	874550412	58	532127274
14	810040400	59	532140312
15	874490544	61	817490612
18	874780616	62	532124872
19	873800600	63	532140186
21	532121274	64	871170764
22	532130804	65	810040700
24	873350600	66	532129921
25	532106888	70	532134683
26	819131316	72	819132012
27	876020412	74	532109502
28	532145204	75	532121749
29	532071673	76	812000001
30	532130807	77	532123583
31	532127275	78	532121748
32	874760512	80	532131488
34	532149001	81	532136932
35	532120183	82	532123782
36	819211616	83	819171216
37	532124963	84	532132182
38	532123674	85	873530400
39	874760644	86	532071208
40	532124965	87	819212016
41	532109070	88	812000008
42	819131312	89	532139964
44	532105706	90	532124346
45	532110812		
46	812000039		

NOTE: All component dimensions given in U.S. inches
1 inch = 25.4 mm

REPAIR PARTS**TRACTOR - MODEL NO. LT130 (954830071A)****STEERING ASSEMBLY**

KEY NO.	PART NO.	DESCRIPTION
1	532124415	Wheel Steering Auto Grey
2	532142033	Axle Asm Fr LT W/gzks 38/42
3	532135227	Spindle Asm LH
4	532135228	Spindle Asm RH
5	532124931	Bearing Race Thrust Harden
6	532121748	Washer 25/32 X 1-5/8 X 16 Ga
7	819272016	Washer 27/32 X 1-1/4 X 16 Ga
8	812000029	Ring Klip #t5304-75
9	532124937	Bearing Col Strg Blk
10	532130468	Link Drag Sol Ball Jt 20 064
11	810040600	Washer Lock Hvy Hlcl Spr 3/8
12	873610600	Nut Fin Hex 3/8-24 Unf
13	532110438	Spacer Bearing Axle Front
14	874011056	Bolt Hex 5/8-11 Unc X 3-1/2
15	873901000	Nut Lock Flange 5/8-11 Unc
16	532132624	Pin Axle 5/8 X 1 55/1 54 Lg
17	532140176	Shaft Asm Strg Private Label
18	532057079	Washer Thrust 515x 750x 033
19	532124035	Support Shaft
20	532126684	Washer Shim 1/4 X 5/8 X 062
21	810040400	Washer Lock Hvy Helical 1/4
22	871070410	Screw Hex Socket 1/4-20 X 5/8
23	532127501	Shaft Asm Pittman
24	532109816	Nyiiner Snap In
25	532124036	Bracket Steering
26	543126847	Bushing Link Drag Blk LR
27	532136874	Gear Sector
28	819131416	Washer 13/32 X 7/8 X 16 Ga
29	817490612	Screw Thdrol 3/8-16x3/4 Ty-tt
30	876020412	Pin Cotter 1/8 X 3/4 Cad
32	532130465	Rod Tie Wire Form 19 75 Mech
36	532102803	Bushing Strg
37	817431008	Screw Sift #10-16 X 1/2 Ty-b
38	532124416	Insert Cap Strg Wh Au
39	819133808	Washer 13/32 X 2-3/8 X 8 Ga
40	532124701	Nut Lock Center 3/8-24unf
41	532104820	Adaptor Wheel Strg 640/ 635ld
42	532150390	Boot Steering Shaft
43	532121749	Washer 25/32 X 1 1/4 X 16 Ga
44	532146690	Shaft Extention Steering
46	532121232	Cap Spindle Fr Top Blk
47	532124836	Fitting Grease
50	817490412	Screw Hex Wsh Thdrol 1/4-20 x 3/4
51	873800500	Nut Lock Hex w/lns 5/16-18
54	874780520	Bolt Fin Hex 5/16-18 Unc x 1-1/4
55	532140285	Clip Tinnerman
57	532140172	Support Shaft Steering
62	532149686	Kit, Steering Assembly

NOTE: All component dimensions given in U.S. inches.
1 inch = 25.4 mm.

REPAIR PARTS**TRACTOR - MODEL NO. LT130 (954830071A)****SEAT ASSEMBLY****KEY PART
NO. NO.****DESCRIPTION**

1	532140838	Seat V250
2	532140551	Bracket Pivot Seat 8 720
3	874760616	Bolt Fin Hex 3/8-16unc X 1
4	819131610	Washer 13/32 X 1 X 10 Ga
5	532145006	Clip Push-in
6	873800600	Nut Hex w/Ins. 3/8-16 Unc
7	532124181	Spring Seat Cprsn 2 250 Blk Zi
8	817490616	Screw Thdrol 3/8-16 X 1 Ty-tt
9	819131614	Washer 13/32 X 1 X 14 Ga.
10	532140552	Pan Seat
11	532120068	Knob seat 1/2-13 Unc
12	532121246	Bracket Mounting Switch

**KEY PART
NO. NO.****DESCRIPTION**

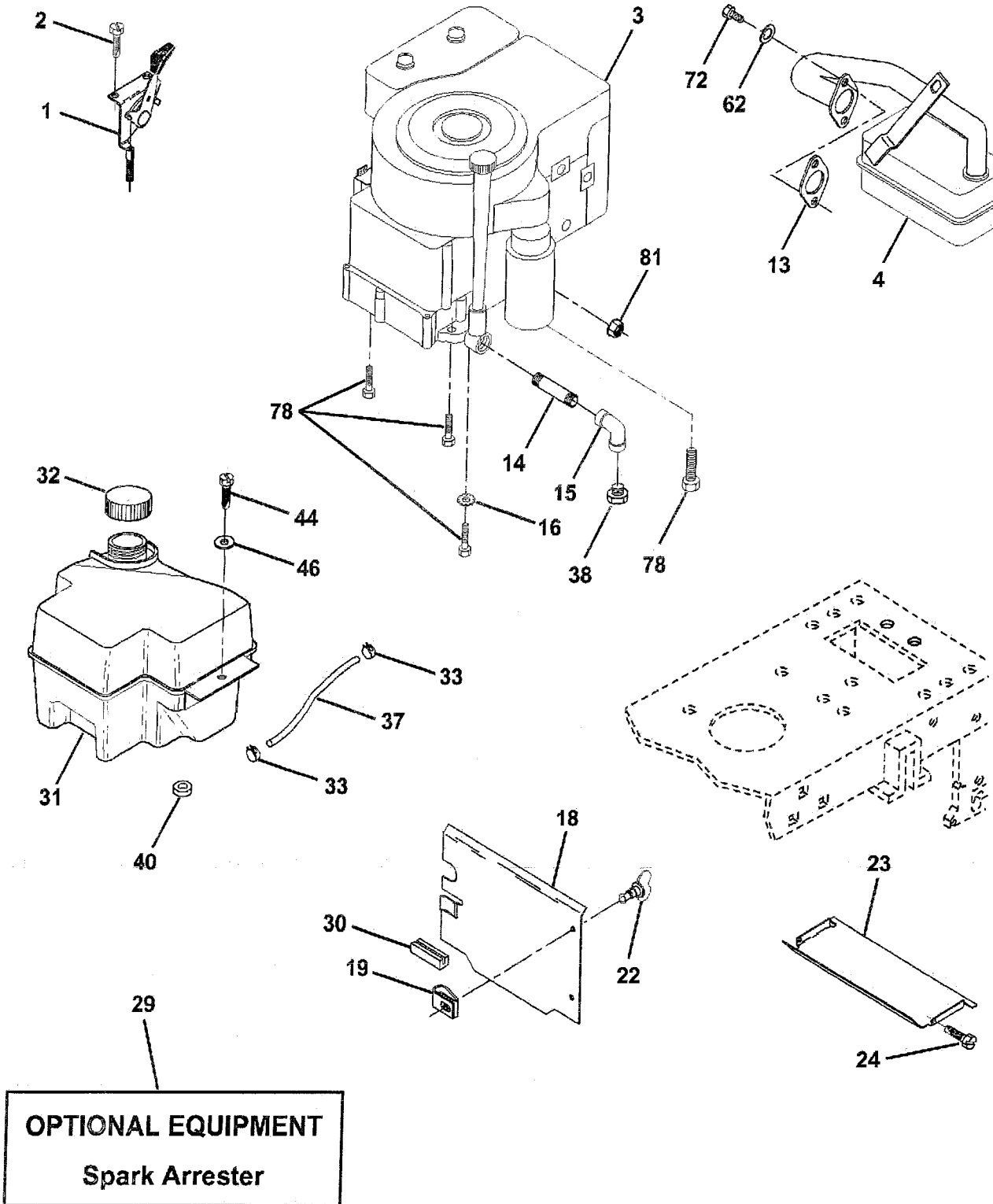
13	532121248	Bushing Snap Blk Nyl 50 Id
14	872050411	Bolt Rdhd Sht Nk 1/4-20x1-3/8
15	532134300	Spacer Split 28x 96 Yel Zinc
16	532121250	Spring Cprsn 1 27 Blk Pnt
17	532123976	Nut Lock 1/4 Lge Flg Gr 5 Zinc
18	532124238	Cap Spring Seat
21	532139888	Bolt Shoulder 5/16-18 Unc Blkz
22	873800500	Nut Hex Lock W/Ins 5/16-18
24	819171912	Washer 17/32 X 1-3/16 X 12 Ga.
25	532127018	Bolt Shoulder 5/16-18 X 62

NOTE: All component dimensions given in U.S. inches.
1 inch = 25.4 mm

REPAIR PARTS

TRACTOR - MODEL NO. LT130 (954830071A)

ENGINE



REPAIR PARTS**TRACTOR - MODEL NO. LT130 (954830071A)****ENGINE**

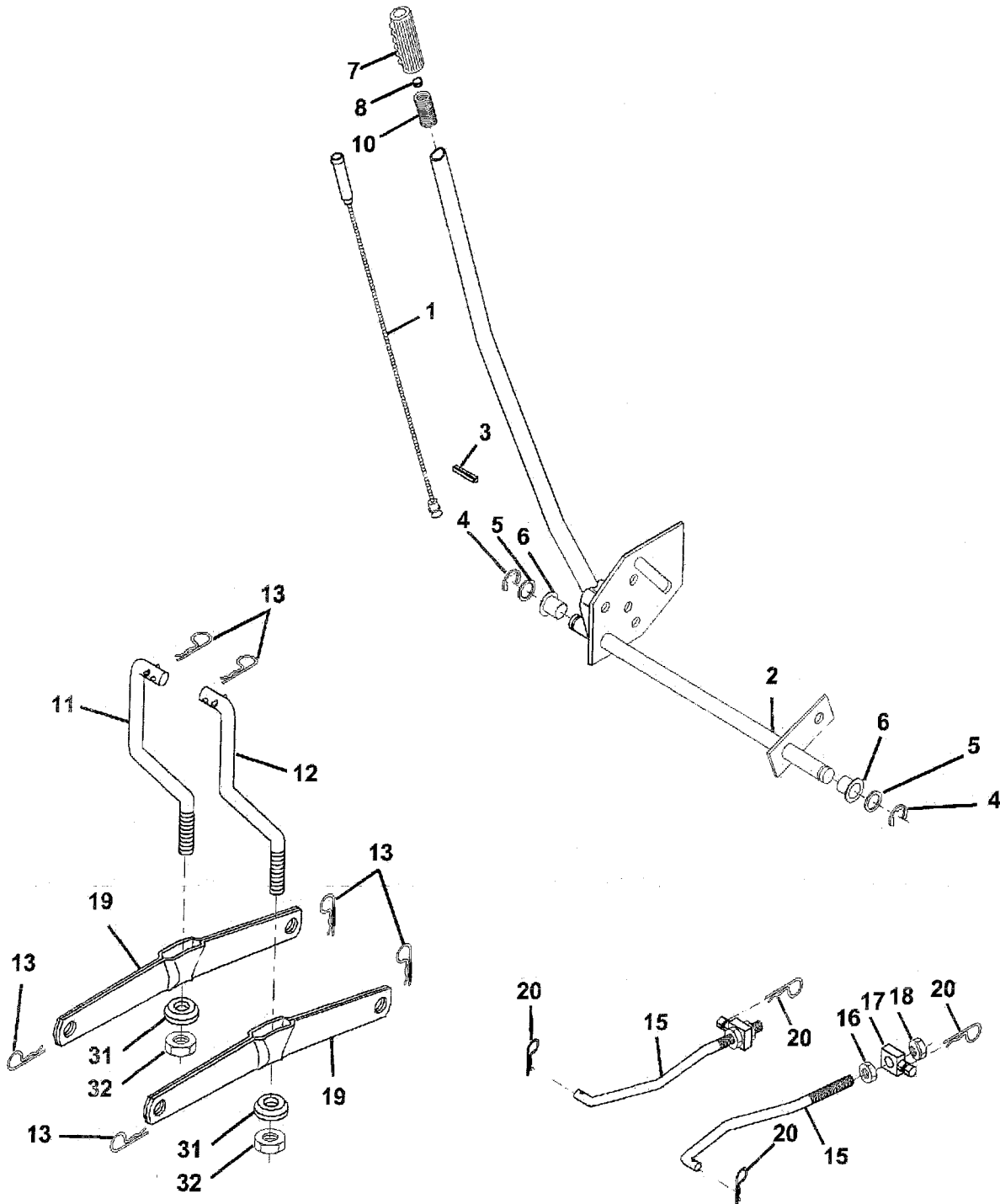
KEY NO.	PART NO.	DESCRIPTION
1	532140310	Control Th/ch 23 5 LH Flag
2	817720410	Screw Hex Thd Cut 1/4-20x5/8 T
3	-----	Engine B&S 12.5 ICQ Model No. 28M707
4	532137348	Muffler LT B&S 12/12.5/13HP
13	532272293	Gasket Eng 1 313 Id Tin Plated
14	813280324	Nipple Pipe 3/8 Npt X 3"
15	813200300	Elbow Std 90 Degree 3/8-18 Npt
16	811050600	Washer Lock Ext Tooth 3/8
18	532136718	Shield Heat Lt
19	532105839	Receptacle 1/4 turn
20	532105838	Retainer 1/4 turn
21	819091016	Washer 9/32 x 5/8 x 16 Ga.
22	532123650	Stud 1/4 turn
23	532128953	Shield Heat Browning LT/YT
24	817021008	Screw Tap Hex #10-24unc X 1/2
29	532137180	Kit Spark Arrestor (Flat Scrn)
30	532127057	Pinch Weld Hood Black
31	532140280	Tank Fuel Front 2 00
32	532140527	Cap Asm Fuel W/sym Vented
33	532123487	Clamp Hose Black
37	532137040	Line Fuel 20"
38	-----	Plug Oil Drain (Order From Engine Manufacturer)
40	532124028	Bushing Snap Nyl Blk Fuel Line
44	817490412	Screw Hexwsh Thdrol 1/4-20x3/4
46	819091416	Washer 9/32 X 7/8 X 16 Ga
62	810040500	Washer Lock Hvy Hicl Spr 5/16
72	871070512	Screw Hexhd Cap 5/16-18x 3/4
78	817490620	Screw Thdrol 3/8-16x1-1/4 TYTT
81	532128861	Nut Flange 1/4-20 Starter Nut

NOTE: All component dimensions given in U.S. inches
1 inch = 25.4 mm

REPAIR PARTS

TRACTOR - MODEL NO. LT130 (954830071A)

MOWER LIFT



REPAIR PARTS**TRACTOR - MODEL NO. LT130 (954830071A)****MOWER LIFT**

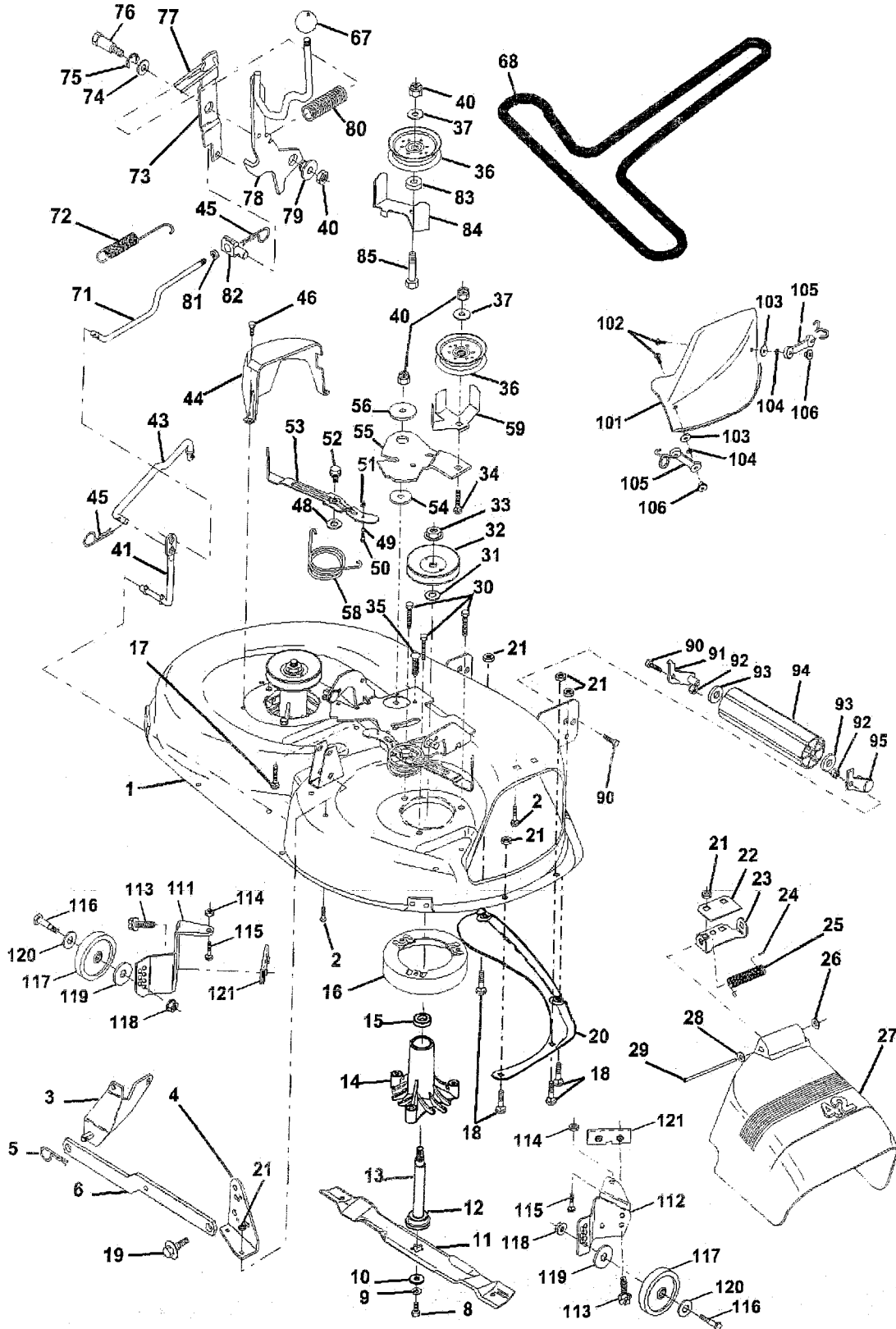
KEY NO.	PART NO.	DESCRIPTION
1	532136973	Wire Asm Inner W/plunger 17 32
2	532150588	Shaft Asm Lift
3	532138284	Pin Groove
4	812000002	E Ring #5133-62
5	819211621	Washer PLTD 21/32 X 1 X 21ga
6	532120183	Bearing Nylon Blk 629 Id
7	532109413	Grip Handle Bicycle Matte Blk
8	532124526	Button Plunger Black
10	532122512	Spring Cprsn 3 750 Oiled
11	532139865	Link Lift LH
12	532139866	Link Lift RH
13	532124670	Retainer Spring
15	532127218	Link Front
16	873350800	Nut Jam Hex 1/2-13 Unc
17	532130171	Trunnion Blk Zinc
18	873800800	Nut Lock W/wsh 1/2-13unc
19	532139868	Arm Suspension Rear
20	532124660	Spring, Retainer
31	532140302	Bearing Pvt. Lift Spherical
32	873540600	Nut Crownlock 3/8-24

NOTE: All component dimensions given in U.S. inches
1 inch = 25.4 mm

REPAIR PARTS

TRACTOR - MODEL NO. LT130 (954830071A)

MOWER DECK



REPAIR PARTS**TRACTOR - MODEL NO. LT130 (954830071A)****MOWER DECK**

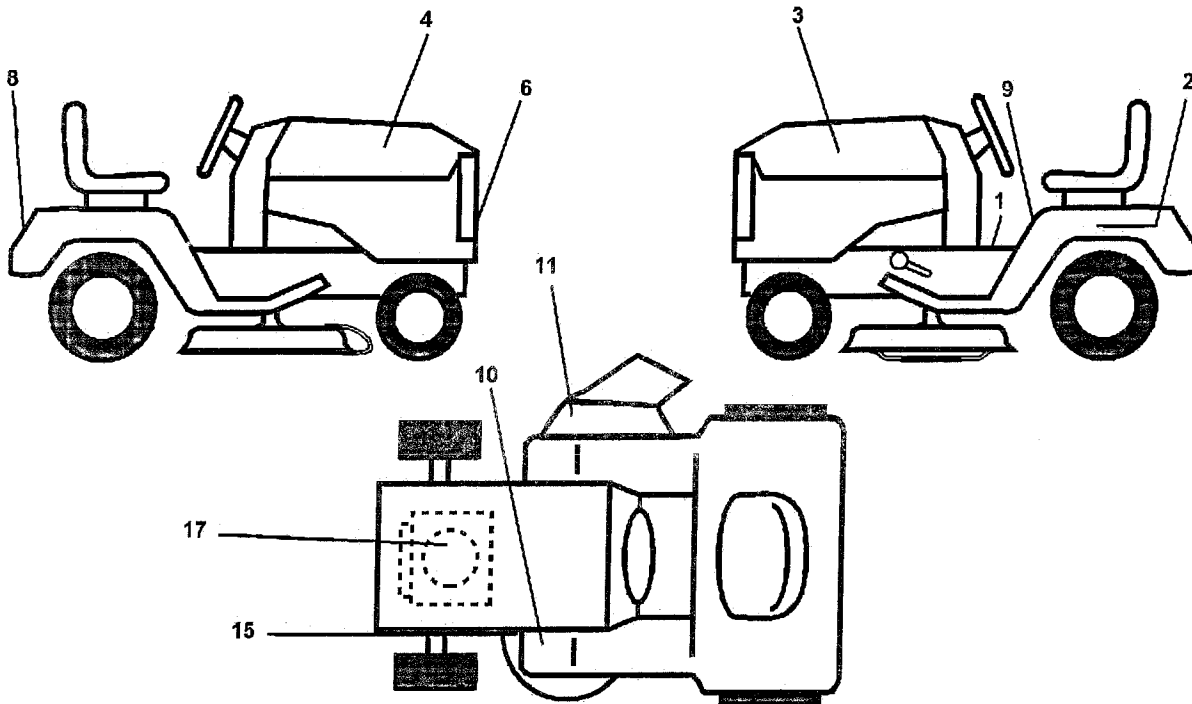
KEY NO.	PART NO.	DESCRIPTION	KEY NO.	PART NO.	DESCRIPTION
1	532144393	Deck Asm MWR 42"weldment	59	532141043	Guard TUV Idler
2	872140506	Bolt Rdhd Sqnk 5/16-18unc X3/4	67	532106933	Knob Rd 1/2-13 Plstc Thds Blk
3	532138017	Bracket Asm Fr Sway Bar 38/42	68	532144200	V-Belt Mower 42"
4	532138440	Bracket Asm Deck 42"sway Bar	71	532142427	Rod Clutch Primary 38/42
5	532124670	Retainer Spring	72	532131870	Spring Return
6	532130832	Arm Suspension Rear	73	532127847	Arm Clutch Secondary
8	532850857	Bolt 3/8 - 24 X 1.25 Gr 8	74	532121748	Washer 25/32 X 1-5/8 X 16 Ga
9	810030600	Washer Lock Hvy 3/8	75	812000029	Ring Klip #15304-75
10	532140296	Washer Hard Blade Mower Vented	76	532128903	Bolt Shoulder 3/8-16 Unc 1 44
11	532134149	Blade Mower Mulching 42"	77	532127845	Keeper Spring 4 000
12	532129895	Bearing Ball #6024 (Mandrel)	78	532140179	Arm Asm Clutch Primary
13	532137645	Shaft Asm W/lower Bearing	79	532127498	Bushing 747 Od X 794 Lg Brass
14	532128774	Housing Mandrel Vented	80	532128759	Spring Clutch Mower 2 750 Zinc
15	532110485	Bearing Ball Mandrel	81	873350600	Nut Hex Jam 3/8-16
16	532140329	Stripper Mower Vented	82	532142028	Trunnion Adj 94
17	872110610	Bolt Rdhd Sqnk 3/8-16 X 1-1/4	83	532120958	Washer Sintered
18	872140505	Bolt Rdhd Sqnk 5/16-18 X 5/8	84	532144394	Keeper Belt Idler Fixed
19	532132827	Bolt Shoulder	85	872140618	Bolt Carriage 3/8-16 x 2-1/4 Gr.5
20	532136888	Baffle Vortex 42	90	874760616	Bolt Fin Hex 3/8-16 UNC x 1
21	873680500	Nut Crownlock 5/16-18 UNC	91	532132274	Bracket Asm Noseroller LH
22	532134753	Stiffener Bracket 42"deck	92	873800600	Nut Lock Hex W/Ins 3/8-16 Unc
23	532131267	Bracket Deflector Mower 42"	93	819171416	Washer 17/32 x 7/8 x 16 Ga.
24	532105304	Cap Sleeve 80x 112 Blk Mower	94	532132264	Roller Nose 38 & 42
25	532123713	Spring Torsion Deflector 2 52	95	532132273	Bracket Asm Noseroller RH
26	532110452	Nut Push Phos & Oil	101	532136420	Cover Mulching 42" Black
27	532130968	Shield Deflector Mower 42" Blk	102	871161010	Screw
28	819111016	Washer 11/32 X 5/8 X 16 Ga	103	819061216	Washer #10
29	532131491	Rod Hinge 42"6 75 Wig	104	810071000	Washer Lock #10
30	532138776	Screw Thdrol Hex Head Zinc Mwr	105	532130758	Latch Asm Bagger
31	532129963	Washer Spacer Mower Vented	106	532125004	Nut Weld
32	532129861	Pulley Mandrel 42"	111	532140353	Bracket Wheel Gauge LH 42" Deck
33	532137266	Nut 9/16 Toplock Fling Oil Dip	112	532132262	Bracket Gauge Wheel RH 42" Deck
34	872110614	Bolt Rdhd 3/8-16uncx1-3/4 Gr5	113	817490512	Screw Thdrol 5/16-18 X 3/4
35	532133835	Fastner Christmas Tree	114	873510500	Nut Keps 5/16-18 UNC
36	532131494	Pulley Idler Flat 3 060	115	872110504	Bolt Carriage 5/16-UNC x 1/2
37	819131316	Washer 13/32 X 13/16 X 16	116	532124842	Bolt Shoulder "A" 2.41 "B" 1.66
40	873680600	Nut Crownlock 3/8-16 UNC	117	532105455	Wheel Gauge Blk 4.93
41	532133551	Rod Pivot W/nibs	118	873930600	Nut Centerlock 3/8-16 UNC
43	532140083	Rod Clutch Secondary W/nibs	119	819121414	Washer 3/8 x 7/8 x 14 Ga.
44	532140088	Guard Mandrel LH Black	120	819171512	Washer 17/32 x 15/16 x 12 Ga.
45	532124788	Spring Retainer 1" Zinc/cad	121	532143723	Bracket Exiuded Guage Wheel
46	532137729	Screw Hex Thd Cut 1/4-20x5/8 T	--	532130794	Mandrel Asm Service (Includes Key
48	532133944	Washer Hardened Smaller			Nos. 8-10, 12-15, 31 and 33)
49	532133940	Roller Asm Cam Follower 42"dec	--	532145411	Deck Serv 42"mch S Bar Mult-Lang
50	532131340	Bolt Shldr 10-24 Zinc Gr 5 42"			(Standard Deck - Order noseroller,
51	532069180	Nut Lock #10-24 Unc			mulch cover and gauge wheel
52	532139888	Bolt Shoulder 5/16-18 Unc Blkz			components separately Key Nos.
53	532131845	Arm Asm Pad Brake			90-95, 101-106 and 111-120)
54	532133943	Washer Hardened			
55	532140084	Arm Idler 42"mower LT/YT			
56	532122052	Spacer Retainer Pm Mower			
58	532140086	Spring Torsion Brakes			

NOTE: All component dimensions given in U.S. inches
1 inch = 25.4 mm

REPAIR PARTS

TRACTOR - MODEL NO. LT130 (954830071A)

DECALS



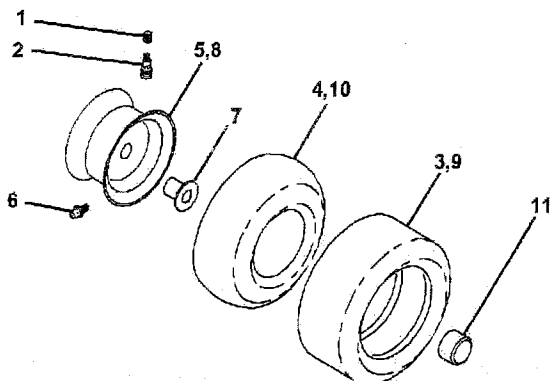
KEY NO.	PART NO.	DESCRIPTION
1	532140820	Decal Instruction Dash Eng/fr
2	532145005	Decal Bat Dan/Poi P/L Sym
3	532150724	Decal Hood LH
4	532150723	Decal Hood RH
6	532150616	Decal Grille Husqvarna
8	532150617	Decal Fender Logo
9	532133795	Decal Caution Fender Eng/fr
10	532101892	Decal Clutch/brake Eng/fr
11	532137259	Decal Warning Multi-Language
15	532136832	Decal V-Belt Schematic
17	532273212	Decal HP Engine

KEY NO.	PART NO.	DESCRIPTION
--	532145247	Fastener Pop In Footrest (8per)
--	532145246	Pad FTREST RBR SQ Generic 95
--	532138311	Decal Handle Lft Height Adjust
--	532150710	Manual Owner's (English)
--	532150711	Manual Owner's (French)

Available accessories not included with tractor:

--	LBD48	42" Snow Blade
--	LSB42	40" Snow Thrower
--	LC05	33lb. Wheel Wts. (Pair)
--	CH12	Tire Chains (18 x 8.5 x 8)
--	MP42	Mulcher Plat. Kit 42"
--	C42	Grass Catcher

WHEELS & TIRES



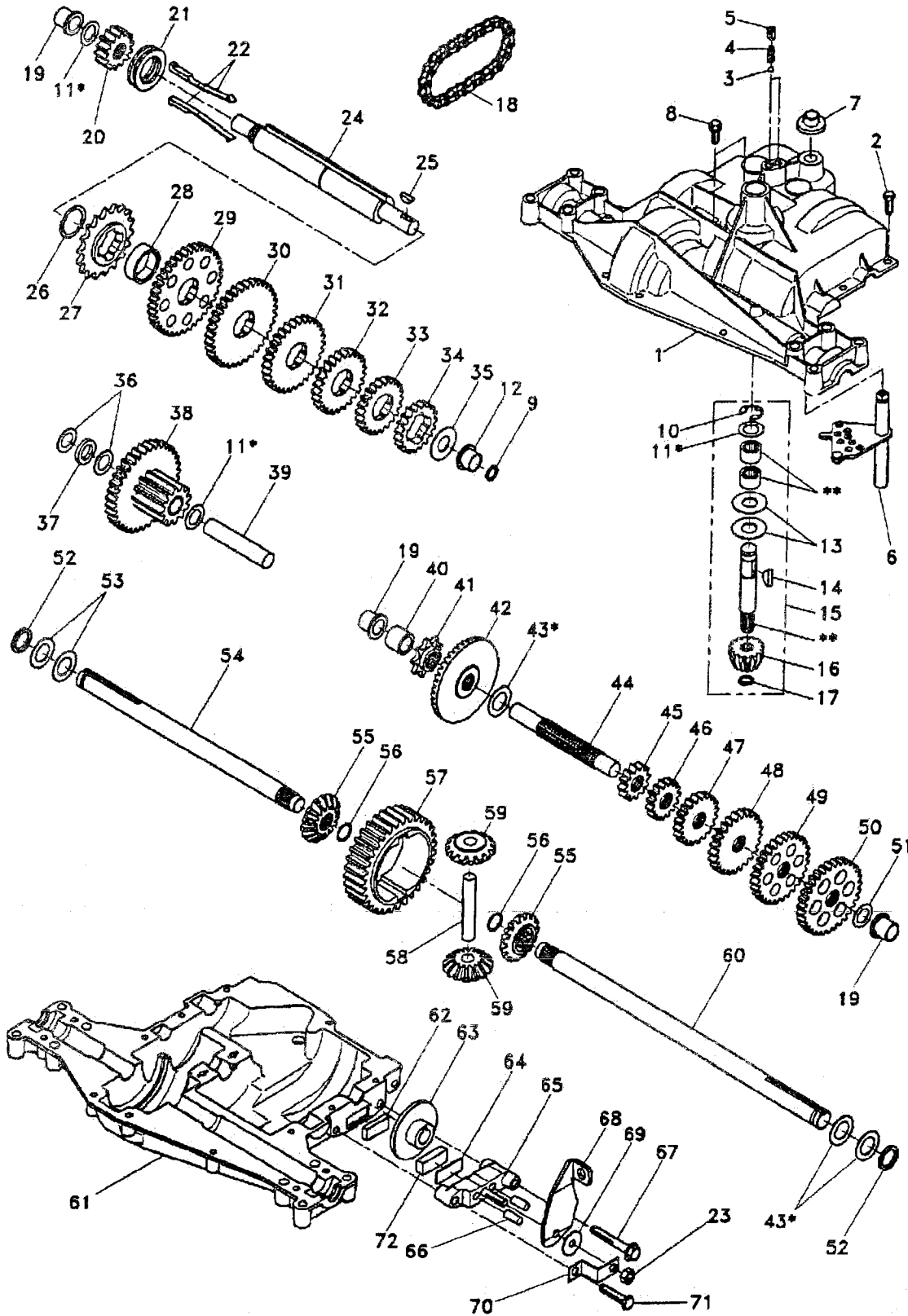
KEY NO.	PART NO.	DESCRIPTION
1	532059192	Cap Valve Tire
2	532065139	Stem Valve
3	532106222	Tire F Ts 15 X 6 0 - 6 Service
4	532059904	Tube Front (Service Item Only)
5	532138336	Rim Asm 6"front Silver Service
6	532124957	Fitting Grease (Front Wheel Only)
7	532124959	Bearing Flange (Front Wheel Only)
8	532138337	Rim Asm 8"rear Silver Service
9	532124635	Tire R Ts 18x8 5-8 C Service
10	532124926	Tube Rear (Service Item Only)
11	532104757	Cap Axle Blk 1 50 X 1 00
--	532144334	Sealant, Tire (10 oz. Tube)

NOTE: All component dimensions given in U.S. inches
1 inch = 25.4 mm

REPAIR PARTS

TRACTOR - MODEL NO. LT130 (954830071A)

DANA TRANSAXLE - MODEL NUMBER 4360-79



REPAIR PARTS**TRACTOR - MODEL NO. LT130 (954830071A)****DANA TRANSAXLE - MODEL NUMBER 4360-79**

KEY PART NO. NO.	DESCRIPTION	KEY PART NO. NO.	DESCRIPTION
1	532142671 Housing, Upper	41	532105928 Sprocket, 9 Teeth (Reverse)
2	532002274 Screw, Self-Tapping, Large 1/4-20 x .734	42	532110084 Gear, Bevel, 42 Teeth
3	532134400 Ball, Detent	43	532134394 * Assembly, Kit, Shim .750 Shaft
4	532105904 Spring, Detent	44	532120473 Shaft, Drive
5	532105905 Screw, Set	45	532142678 Gear, Spur, 12 Teeth (1 ^a)
6	532138235 Kit, Shifter Assembly	46	532142679 Gear, Spur, 15 Teeth (2 ^a)
7	532134399 Boot, Shifter	47	532120407 Gear, Spur, 20 Teeth (3 ^a)
8	532134791 Screw, Self-Tapping, with Sealer	48	532106589 Gear, Spur, 25 Teeth (4 ^a)
9	532138241 Square Ring	49	532120408 Gear, Spur, 28 Teeth (5 ^a)
10	532142672 Ring, Retaining	50	532105937 Gear, Spur, 31 Teeth (6 ^a)
11	532134793 * Assembly, Kit, Shim .625 Shaft	51	532002226 Washer, Plain .632 x 1.00 x .060
12	532142673 Bearing, Flange	52	532134401 Washer, Neoprene
13	532120415 Washer, Plain .632 x 1.38 x .046	53	532002264 Washer, Plain .758 x 1.25 x .031
14	532142674 Key, Woodruff, #9	54	532120474 Axle, L.H.
15	532138234 Assembly, Kit, Input Shaft	55	532110081 Gear, Miter, 15 Teeth
16	532110078 Pinion, Bevel, 14 Teeth	56	532105941 Ring, Retaining
17	532105909 Ring, Retaining	57	532110071 Gear, Spur, 32 Teeth
18	532105910 Chain, 24 Pitches	58	532120952 Shaft, Cross
19	532105911 Bearing, Flange	59	532110082 Gear, Miter, 15 Teeth
20	532142675 Gear, Spur, 14 Teeth	60	532123908 Axle, R.H.
21	532138246 Collar, Clutch	61	532142680 Housing, Lower
22	532138236 Assembly, Kit, Clutch Keys	62	532120961 Puck, Friction
23	873810500 Locknut 5/16-24	63	532007294 Disc, Brake
24	532142676 Shaft, Intermediate	64	532108989 Spacer
25	532002244 Key, Woodruff, #61	65	532120953 Jaw, Brake
26	532105916 Ring, Retaining	66	532120954 Pin, Dowel
27	532120470 Sprocket, 18 Teeth (Reverse)	67	532134799 Screw, Self-Tapping, Large 5/16-18 x 2.25
28	532110070 Spacer	68	532138244 Lever, Actuating
29	532142677 Gear, Spur, 37 Teeth (1 ^a)	69	532108996 Washer, Plain .321 x 1.00 x .055
30	532142681 Gear, Spur, 35 Teeth (2 ^a)	70	532120956 Bracket, Anti-Rotation
31	532120405 Gear, Spur, 30 Teeth (3 ^a)	71	532106596 Screw, Self-Tapping, Large 5/16-18 x 1.44
32	532108980 Gear, Spur, 25 Teeth (4 ^a)	72	532120951 Puck, Friction
33	532120406 Gear, Spur, 22 Teeth (5 ^a)	73	532120416 Grease
34	532134796 Gear, Spur, 19 Teeth (6 ^a)		
35	532105925 Washer, Plain .640 x 1.37 x .061		
36	532002232 Washer, Plain .632 x 1.00 x .026		
37	532108978 Spacer .630 x 1.00 x .169		
38	532110079 Assembly, Gear, Combination of 12 Teeth and 35 Teeth		
39	532124639 Shaft, Idler		
40	532120472 Spacer .635 x .875 x .755		

* Use in combinations to maintain proper clearances

** Order Key No. 15

NOTE: All component dimensions given in U.S. inches
1 Inch = 25.4 mm