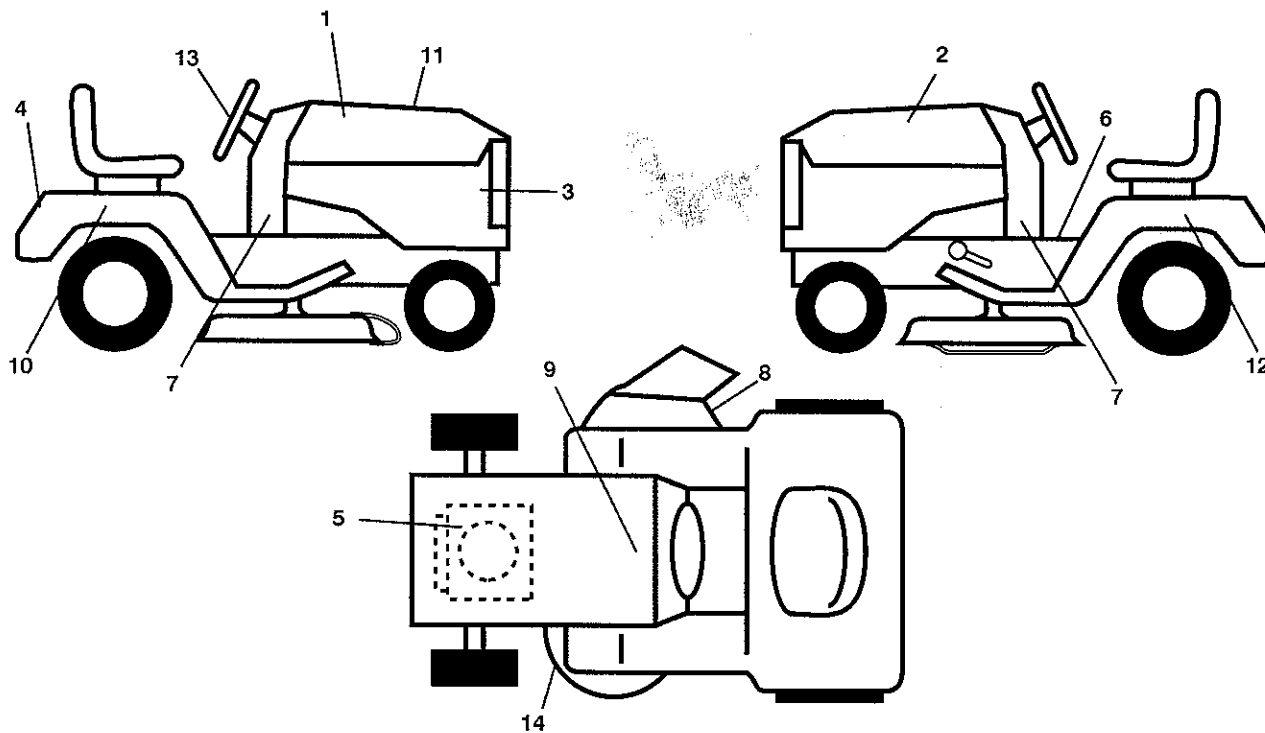


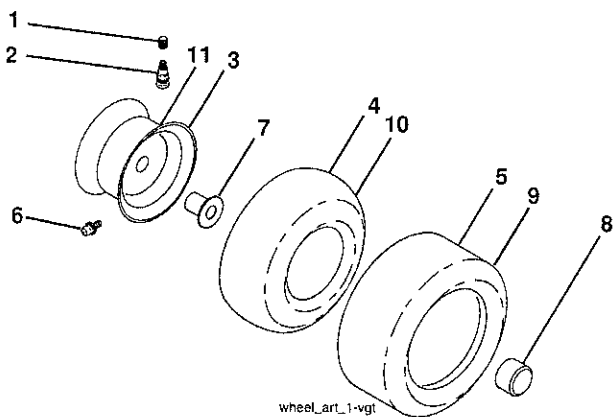
**TRACTOR - MODEL NO. PB20H46YT (96042003700), PRODUCT NO. 960 42 00-37
DECALS**



KEY NO.	PART NO.	DESCRIPTION
1	186163	Decal, Hood RH
2	186164	Decal, Hood LH
3	408795	Decal, Side Panel
4	172740	Decal, Fender
5	408835	Decal, Eng H.P.
6	402104	Decal, Fender Operator's
7	411180	Decal, Lower Dash
8	170563	Decal, Warning
9	145005	Decal, Battery Dnge/Poi
10	408948	Decal, Fender SD RH

KEY NO.	PART NO.	DESCRIPTION
11	409479	Decal, Replacement
12	408949	Decal, Fender SD LH
13	172743	Decal, Steering Wheel
14	160396	Decal, Mower Schematic
--	400981X428	Pad, Footrest Control
--	166960	Decal, Bypass
--	193226X428	Pad, Footrest, LH
--	411256	Manual, Operator's (Eng/French)
--	411257	Manual, Parts (Eng/French)

WHEELS AND TIRES



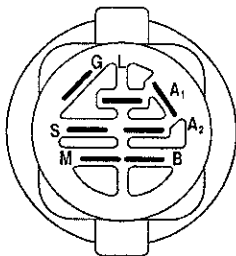
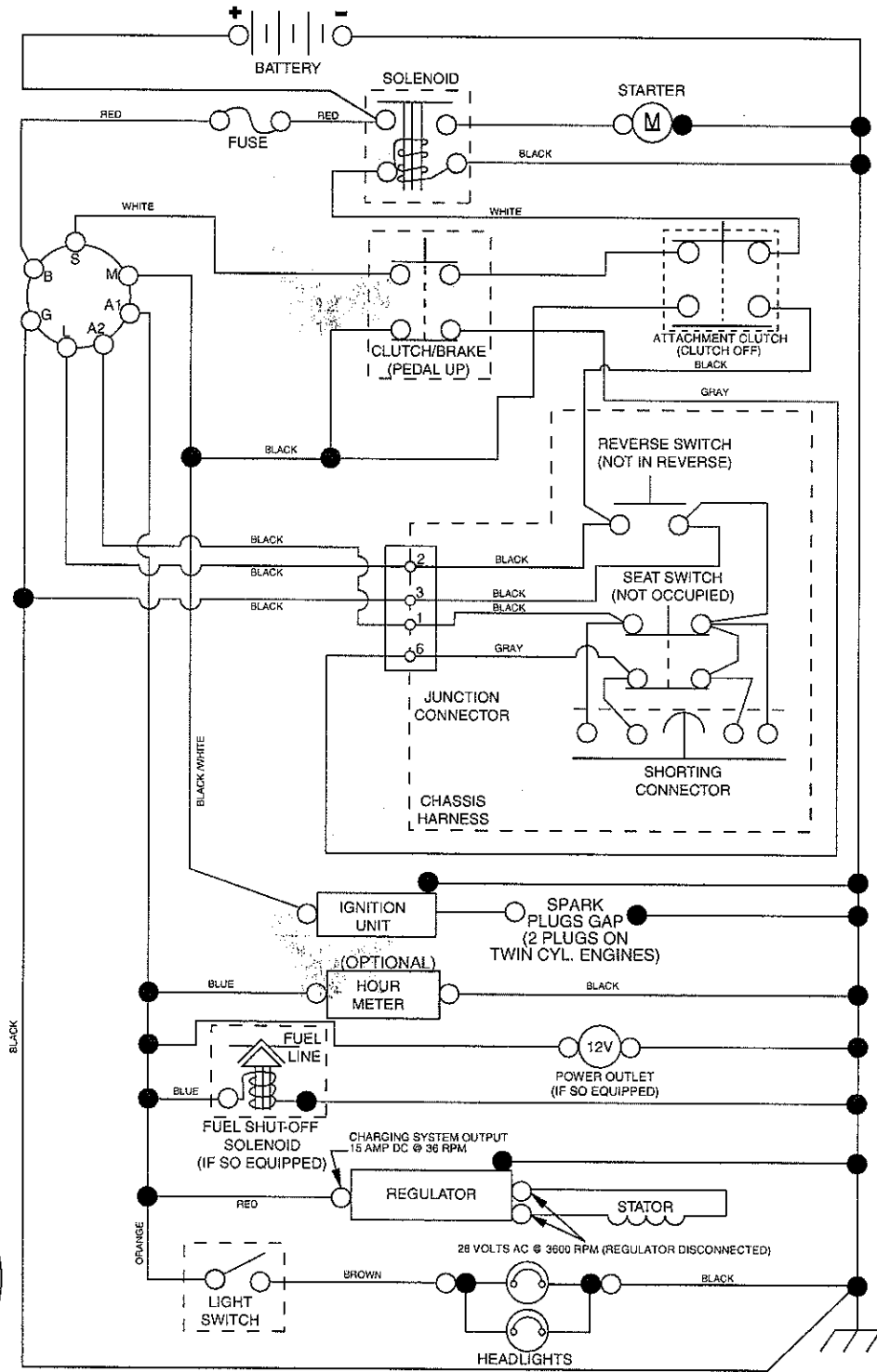
KEY NO.	PART NO.	DESCRIPTION
1	59192	Cap, Valve, Tire
2	65139	Stem, Valve
3	106732X421	Rim Assembly, Front
4	59904	Tube, Front
5	106222X	Tire, Front
6	278H	Fitting, Grease
7	9040H	Bearing, Flange
8	104757X421	Cap, Axle (Front Wheel Only)
9	138468	Tire, Rear
10	7152J	Tube, Rear
11	106108X421	Rim Assembly, Rear
1-	144334	Sealant, Tire (10 oz. Tube)

NOTE: All component dimensions given in U.S. inches
1 inch = 25.4 mm

TRACTOR - MODEL NO. PB20H46YT (96042003700), PRODUCT NO. 960 42 00-37

SCHEMATIC

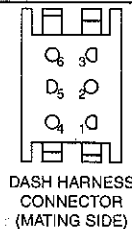
03101-194276-400449_Manual-Tex



IGNITION SWITCH

POSITION	CIRCUIT	"MAKE"
OFF	M+G+A1	
RUN/OVERRIDE	B+A1	
RUN	B+A1	L+A2
START	B+S+A1	

03101 CHASSIS HARNESS CONNECTOR (MATING SIDE)



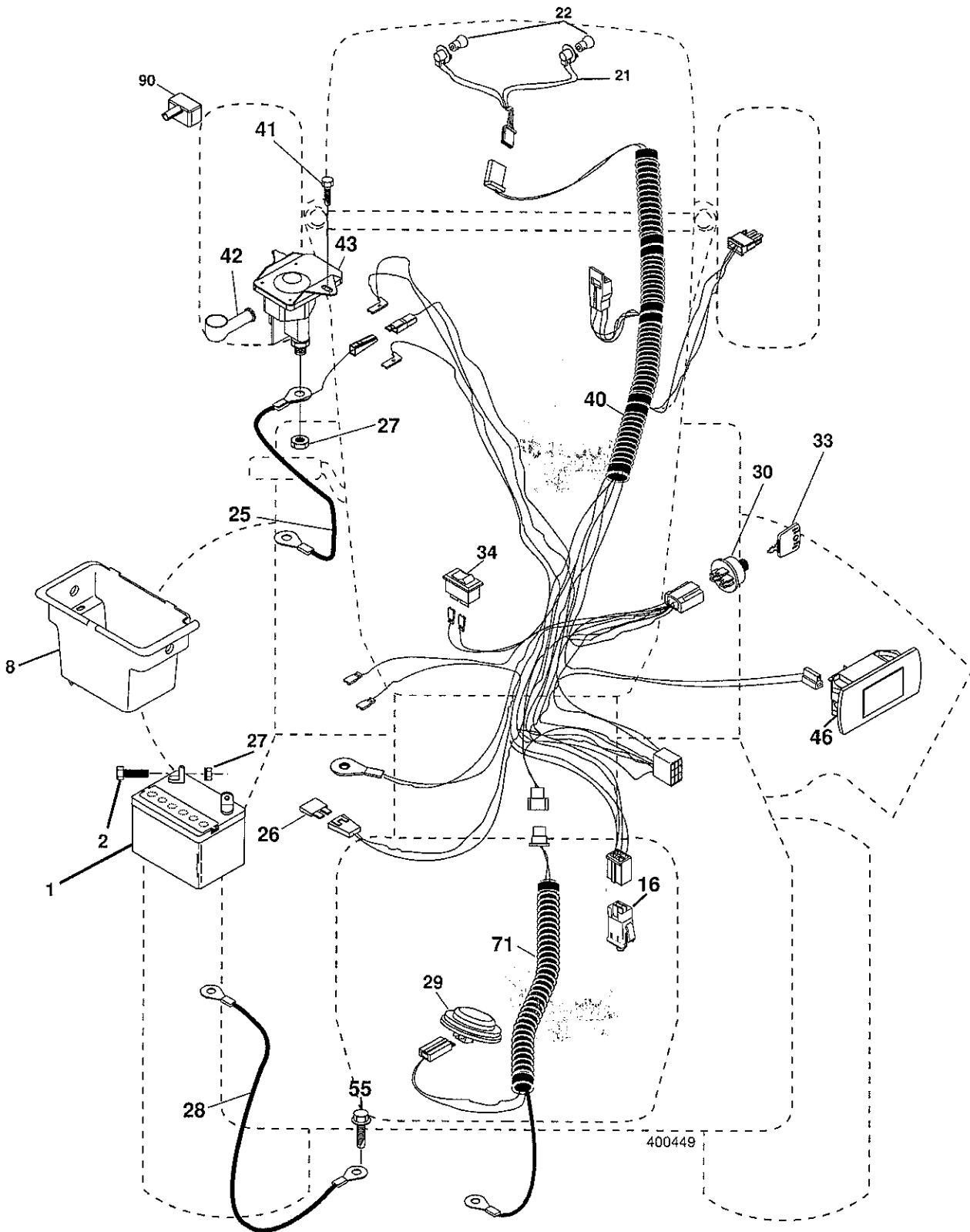
DASH HARNESS CONNECTOR (MATING SIDE)

WIRING INSULATED CLIPS
 NOTE: IF WIRING INSULATED CLIPS WERE REMOVED FOR SERVICING OF UNIT, THEY SHOULD BE REPLACED TO PROPERLY SECURE YOUR WIRING.

NON-REMOVABLE CONNECTIONS

REMOVABLE CONNECTIONS

**TRACTOR - MODEL NO. PB20H46YT (96042003700), PRODUCT NO. 960 42 00-37
ELECTRICAL**



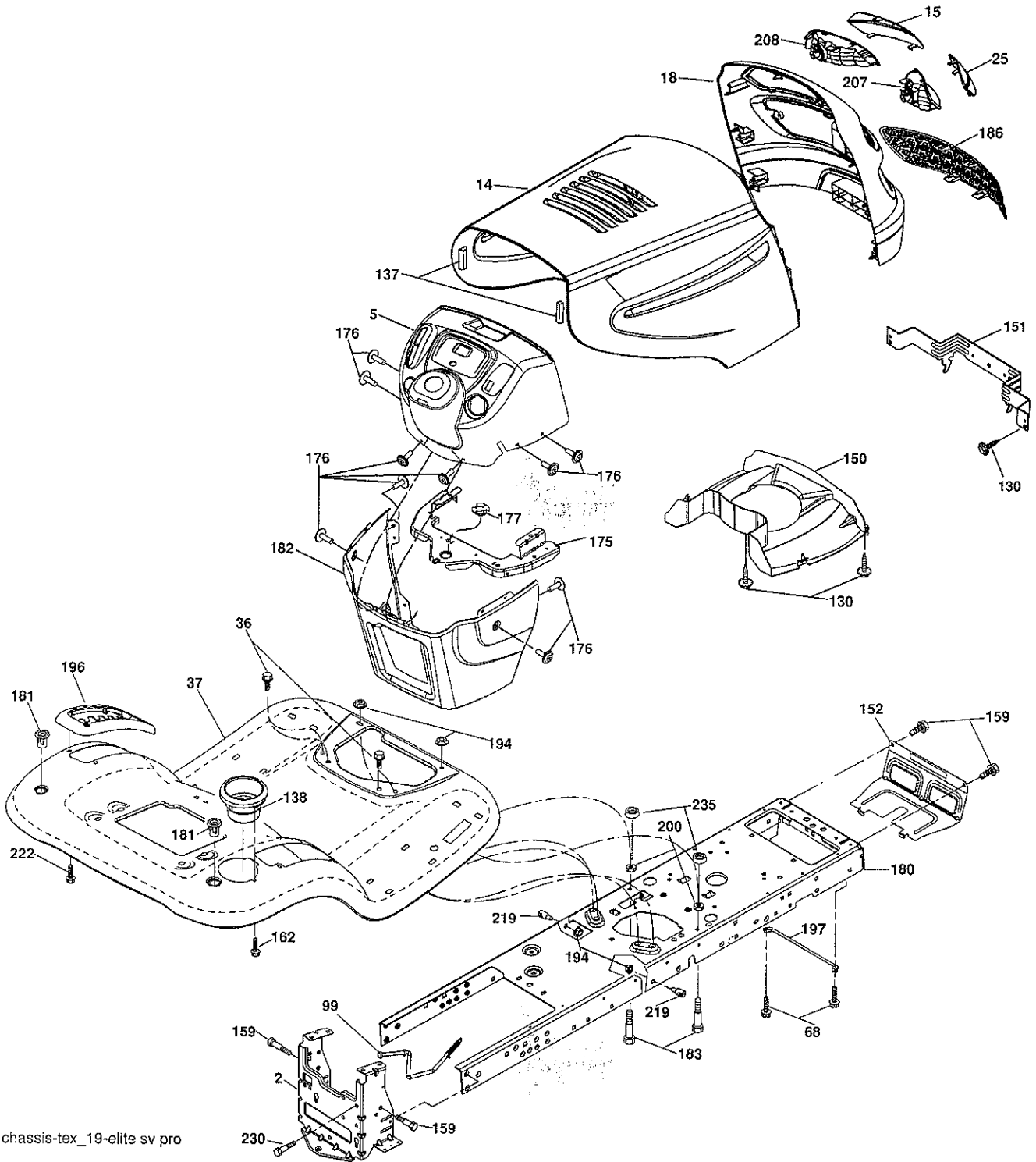
**TRACTOR - MODEL NO. PB20H46YT (96042003700), PRODUCT NO. 960 42 00-37
ELECTRICAL**

KEY NO.	PART NO.	DESCRIPTION
1	163465	Battery
2	74760412	Bolt Hex Head 1/4-20 x 3/4
8	193228	Box Battery
16	176138	Switch Interlock Push-In
21	183759	Harness Socket Light W/4152J
22	4152J	Bulb Light
25	401662	Cable Starter
26	175158	Fuse
27	73510400	Nut Keps Hex 1/4-20 unc
28	198885	Cable, Ground
29	401545	Switch, Seat
30	193350	Switch, Ignition
33	140401	Key, Ignition
34	110712X	Switch Light / Reset
40	401098	Harness Ignition Dash
41	17720408	Screw Thd Cut 1/4-20 x 1/2
42	131563	Cover, Terminal
43	192507	Solenoid
46	401763	Gauge SRVCMNDR HRMTR
55	17060512	Screw Thdrol 5/16-18 x 3/4 TYTT
71	400449	Harness Ignition
90	400725	Cover Terminal Battery

NOTE: All component dimensions given in U.S. inches
1 inch = 25.4 mm

PSO/PT

TRACTOR - MODEL NO. PB20H46YT (96042003700), PRODUCT NO. 960 42 00-37
CHASSIS



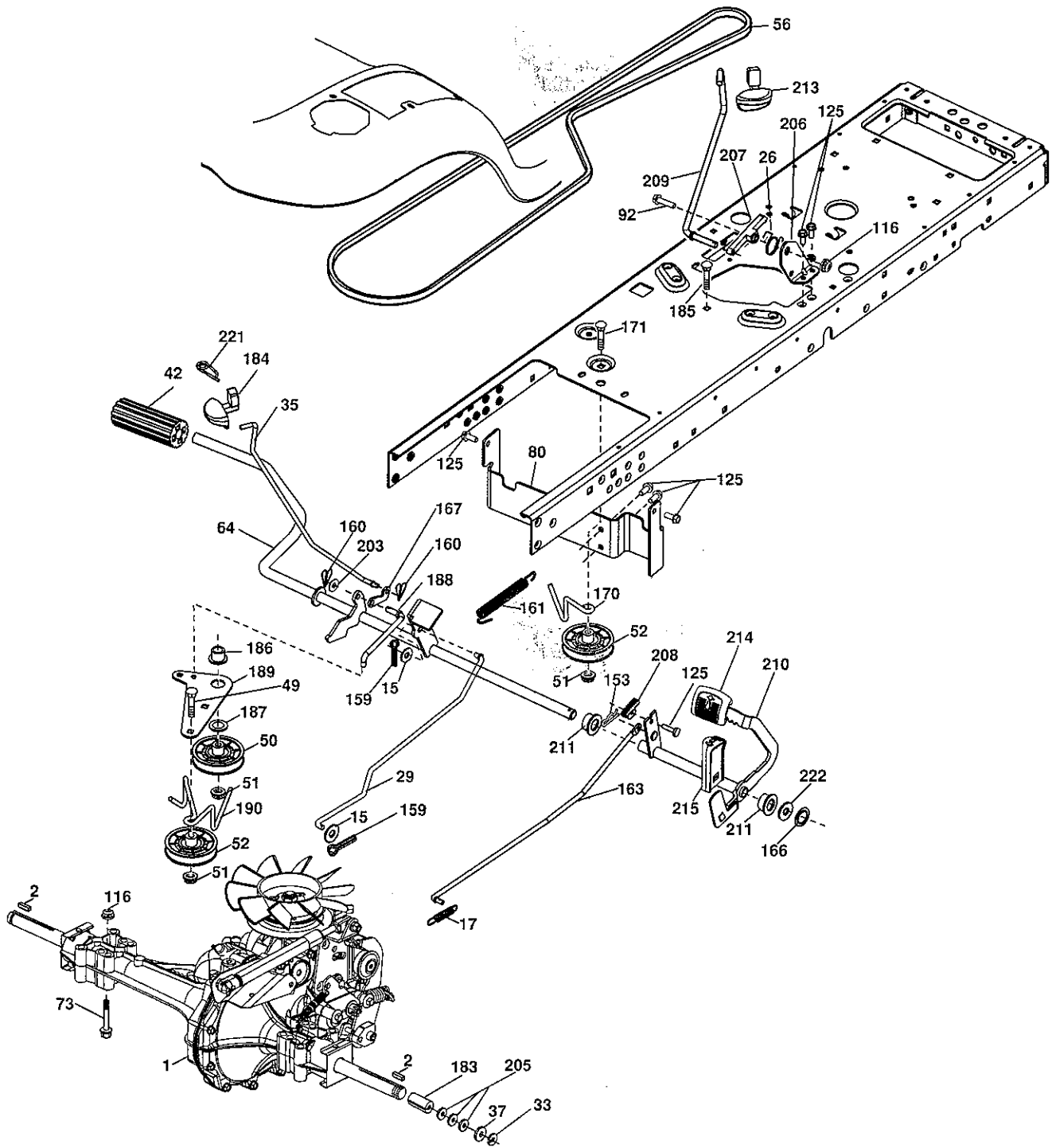
chassis-tex_19-elite sv pro

**TRACTOR - MODEL NO. PB20H46YT (96042003700), PRODUCT NO. 960 42 00-37
CHASSIS**

KEY NO.	PART NO.	DESCRIPTION
2	194263	Drawbar
5	199647X428	Dash
14	183393X428	Hood
15	183834X599	Lens Grille LH
18	183828	Grille (Included Key #'s 15,25,191)
25	183835X599	Lens Grille RH
36	17060512	Screw 5/16-18 x 3/4
37	402969X428	Fender
68	17490508	Screw THDROL 5/16-18 x 1/2
99	405092	Rod Bypass Asm
130	191611	Screw 10 x 3/4 Single Lead-Hex
137	184921	Bumper Hood
138	193224X428	Cupholder
150	189350	Duct Heat Hood
151	407807	Bracket Pivot
152	194329	Shield Browning/Debris
159	17000612	Screw Hexwsh Thdrol 3/8-16 x 3/4
162	142432	Screw Hex Wsh Hi-Lo 1/4 x 1/2 unc
175	193243	Crossmember
176	400776	Screw 10-24 x 5/8 Wshd Qdrx
177	195227	Bushing Steering
180	194260	Chassis
181	193102X428	Bushing Mtg. Fender Crgo.
182	193057	Dash Lower
183	74780520	Bolt Fin Hex 5/16-18 x 1-1/4
186	183829X428	Insert Grille
194	73900500	Nut Lock Hex Flange 5/16-18
196	410584	Console Asm. Deck Lift
197	156524	Rod Pivot Chassis
200	739350500	Nut Center lock 5/16-18
207	183833	Bezel RH
208	183832	Bezel LH
219	195161	Stud Fastener
222	137729	Screw thd Roll 1/4-20 x 5/8
230	170165	Bolt Shoulder 5/16-18
235	406129	Spacer Fender

NOTE: All component dimensions given in U.S. inches
1 inch = 25.4 mm

**TRACTOR - MODEL NO. PB20H46YT (96042003700), PRODUCT NO. 960 42 00-37
DRIVE**



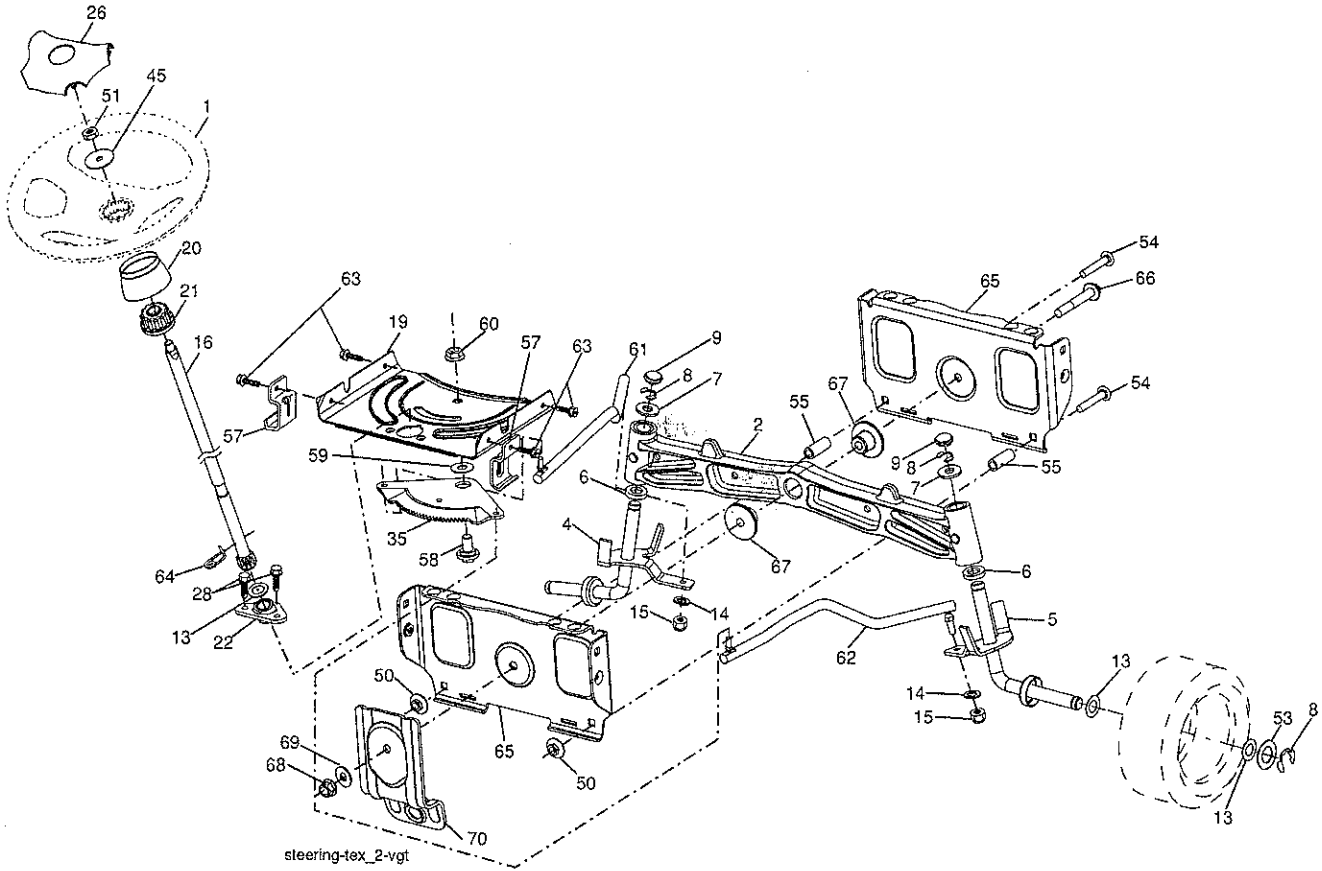
drive-tex_Hydro_0510

**TRACTOR - MODEL NO. PB20H46YT (96042003700), PRODUCT NO. 960 42 00-37
DRIVE**

KEY NO.	PART NO.	DESCRIPTION	KEY NO.	PART NO.	DESCRIPTION
1	-----	Transaxle, Hydro HG0510 (Order Parts from Transaxle Manufacturer)	163	199000	Rod Pedal Control
2	123583X	Key	166	197290	Nut Push .625
15	19131316	Washer 13/32 x 13/16 x 16 Ga.	167	405257	Latch Brake Parking
17	197296	Spring, Brake	170	194322	Keeper Belt Centerspan
26	199679	Spring Return Cruise	171	72110616	Bolt
29	197659	Rod, Brake	183	137057	Spacer Axle
33	12000001	Ring E	184	198403X505	Handle Parking Brake
35	197722	Rod, Brake, Park	185	72110620	Bolt
37	121749X	Washer 25/32 x 1-1/4 x 16 Ga.	186	194321	Spacer Retainer
42	8883R	Cover, Foot Pedal	187	19133210	Washer
49	72110614	Bolt	188	194323	Link Clutch Ground Drive
50	194327	Pulley Idler Flat	189	194317	Bellcrank Ground Drive
51	73900600	Lock Nut 3/8-16	190	194318	Keeper Bellcrank Ground Drive
52	194326	Idler V-Groove 910" Offset	203	19111116	Washer 11/32 x 11/16 x 16 Ga.
56	140218	V-Belt, Drive	205	121748X	Washer 25/32 x 1-5/8 x 16 Ga.
64	197865	Shaft Asm. Pedal Brake Control	206	197867	Bracket Mount Latch Cruise
73	74490544	Bolt 5/16-18 Gr. 5	207	197868	Latch Control Cruise
80	400507	Bracket Strap Torque	208	197869	Gear Sector Control Cruise
92	74760520	Bolt Fin Hex 5/16-18 unc x 1.25	209	400769	Rod Control Cruise
116	73900500	Nut Lock Hex Flange 5/16-18	210	400980	Rockr Asm. Pdeal Control
125	17000512	Screw 5/16-18 x 3/4	211	120183X	Bearing Nylon
153	4497H	Retainer Spring	213	400799 x428	Knob control Cruise
159	76020412	Pin Cotter 1/8 x 3/4	214	197302 x428	Pad Pedal Forward
160	169484	Retainer Clip	215	197301 x428	Pad Pedal Reverse
161	195403	Spring, Return, Clutch	221	403187	Retainer Spring Clip Handle
			222	79212010	Washer 21/32 x 1-1/4 10 Ga.

NOTE: All component dimensions given in U.S. inches
1 inch = 25.4 mm

TRACTOR - MODEL NO. PB20H46YT (96042003700), PRODUCT NO. 960 42 00-37
STEERING ASSEMBLY

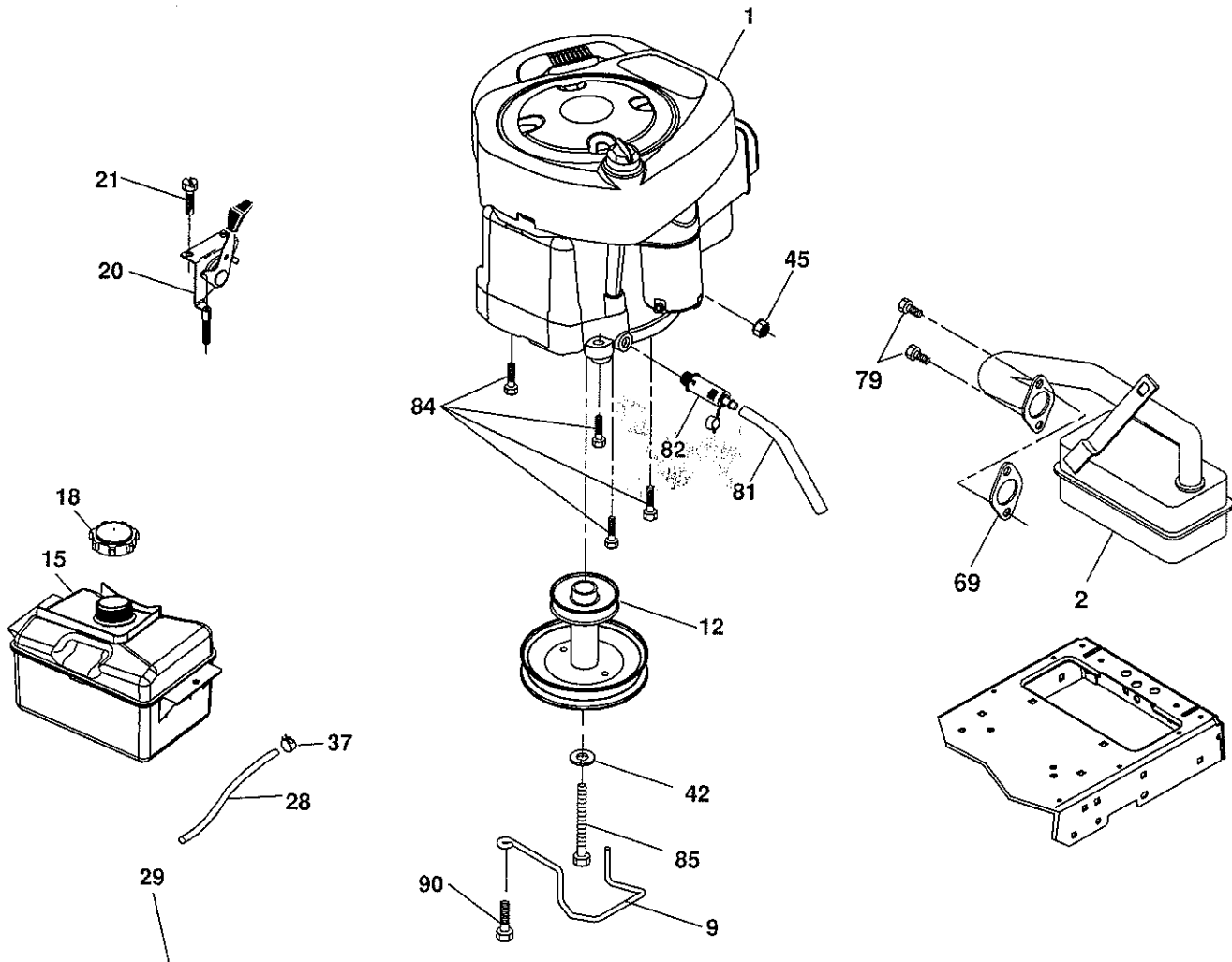


**TRACTOR - MODEL NO. PB20H46YT (96042003700), PRODUCT NO. 960 42 00-37
STEERING ASSEMBLY**

KEY NO.	PART NO.	DESCRIPTION
1	186093X428	Wheel, Steering
2	195968	Axle Asm., Front
4	403087	Spindle Asm., LH
5	403088	Spindle Asm., RH
6	6266H	Bearing, Race Thrust Harden
7	121748X	Washer 25/32 x 1-5/8 x 16 Ga.
8	12000029	Ring, Klip #T5304-75
9	121232X	Cap, Spindle
13	121749X	Washer 25/32 x 1-1/4 x 16 Ga.
14	10040600	Washer, Lock Hvy Hlcl Spr 3/8
15	73540600	Nut, Crown Lock 3/8-24 unf
16	194746	Shaft Steering
19	194729	Plate Steering
20	199743X428	Boot, Steering
21	186737	Adapter, Wheel Steering
22	194845	Bushing, Strg. Blk
26	186095X428	Insert, Wheel Steering
28	17000612	Screw 3/8-16 x 3/4
35	194732	Gear, Sector Plate
45	19183812	Washer 9/16 ID x 2-3/8 x 12 Ga.
50	73900600	Nut Lock 3/8-16 UNC
51	73940800	Nut Hex Jam Toplock 1/2-20 unf
53	188967	Washer Hardened .793 x 1.637 x .060
54	74760636	Bolt Hex 3/8-16 UNC x 2-1/4
55	197636	Spacer Brace Axle
57	407465	Bracket Upstop
58	194747	Bolt Shoulder Sector Pivot CFM
59	194748	Washer Thrust Sector Steering
60	73971000	Nut Flange Lock 5/8-11
61	194740	Draglink, LH
62	194741	Draglink, RH
63	17000512	Screw 5/16-18 x 3/4
64	199849	Retainer Clip Spring Steering
65	194734	Brace Axle Front
66	71020748	Bolt Hex Fghd 7/16-14 x 3 Serr
67	194737	Bushing PM Front Axle
68	73900700	Nut Lock Flange 7/16-14 Gr. 5
69	199162	Washer 1.5 x .505 x .118
70	196197	Bracket Deck Susp. Front

NOTE: All component dimensions given in U.S. inches
1 inch = 25.4 mm

TRACTOR - MODEL NO. PB20H46YT (96042003700), PRODUCT NO. 960 42 00-37
ENGINE



OPTIONAL EQUIPMENT
Spark Arrester

engine-bs-1cyl-tex_2

**TRACTOR - MODEL NO. PB20H46YT (96042003700), PRODUCT NO. 960 42 00-37
ENGINE**

KEY NO.	PART NO.	DESCRIPTION
1	-----	Engine B&S Model No. 31P977
2	137352	Muffler
9	194319	Keeper Belt Engine
12	405140	Pulley Engine
15	407489	Tank Fuel
18	197725	Cap Asm
20	176636X421	Control Throttle
21	191611	Screw 10 x 3/4 Single Lead-Hex
28	401137	Fuel Line
29	137180	Spark Arrester Kit
37	123487X	Clamp Hose
42	10040700	Washer Lock 7/16
45	73510400	Nut Keps Hex 1/4-20 unc
69	165291	Gasket

KEY NO.	PART NO.	DESCRIPTION
79	192334	Screw Socket HD 5/16-18 x .75
81	148456	Tube Drain Oil Easy
82	181654	Plug Drain Oil
84	17060620	Screw 3/8-16 x 1-1/4
85	173937	Bolt 7/16-20 x 4 x GR 5-1.5
90	17000616	Screw 3/8-16 x 1

NOTE: All component dimensions given in U.S. inches
1 inch = 25.4 mm

For engine service and replacement parts, call the toll free number for your engine manufacturer listed below:

Briggs & Stratton	1-800-233-3723
Kohler Co.	1-800-544-2444
Tecumseh Products	1-800-558-5402
Honda Engines	1-800-426-7701
Kawasaki	1-949-460-5688

ENGINE POWER RATING INFORMATION

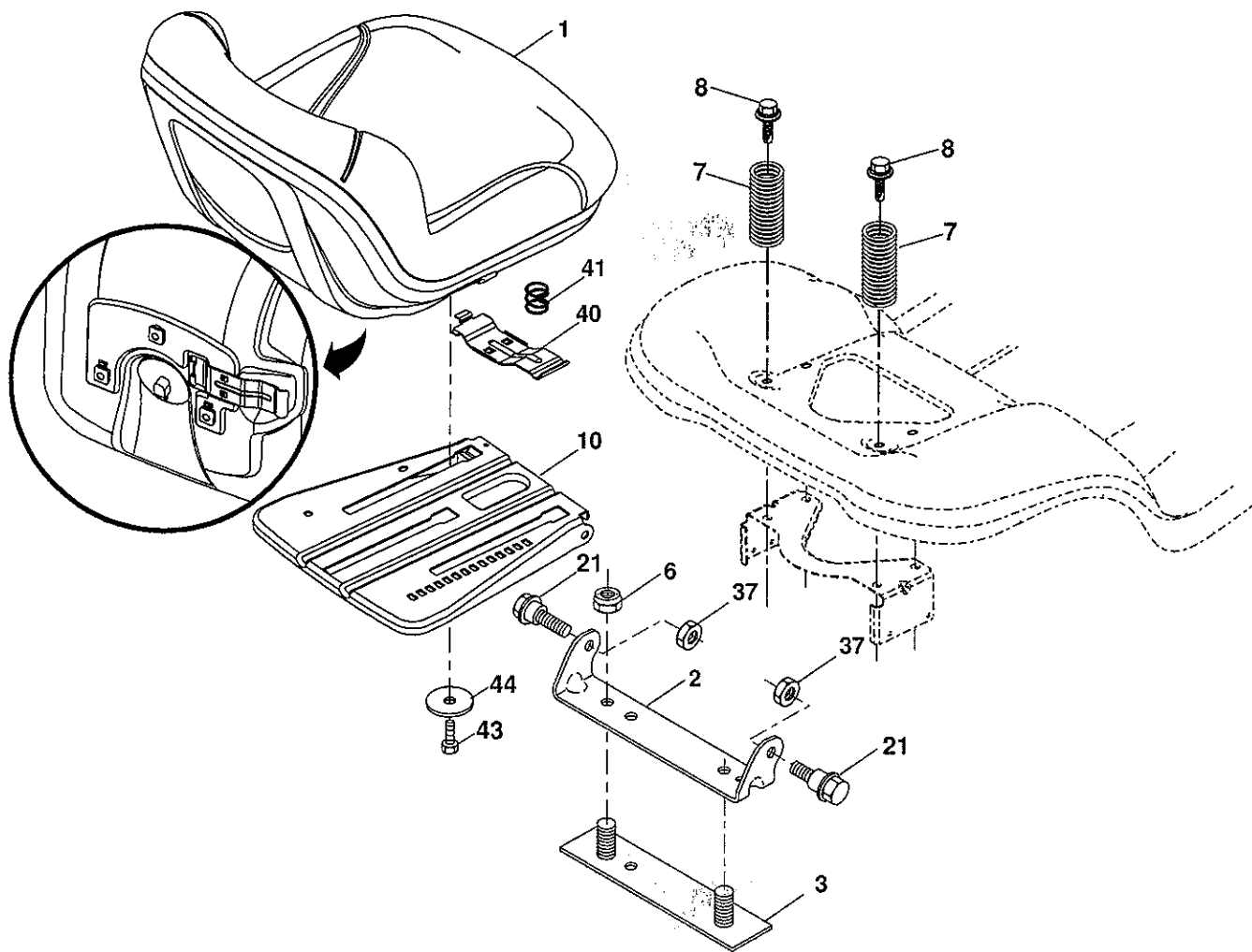
The gross power rating for individual gas engine models is labeled in accordance with SAE (Society of Automotive Engineers) code J11940 (Small Engine Power & Torque Rating Procedure), and rating performance has been obtained and corrected in accordance with SAE J1995 (Revision 2002-5). Actual gross engine power will be lower and is affected by, among other things, ambient operating conditions and engine-to-engine variability. Given both the wide array of products on which engines are placed and the variety of environmental issues applicable to operating the equipment, the gas engine will not develop the rated gross power when used in a given piece of power equipment (actual "on-site" or net horsepower). This difference is due to a variety of factors including, but not limited to, accessories (air cleaner, exhaust, charging, cooling, carburetor, fuel pump, etc.), application limitations, ambient operating conditions (temperature, humidity, altitude), and engine-to-engine variability. Due to manufacturing and capacity limitations, Briggs & Stratton may substitute an engine of higher rated power for this Series engine.

**TRACTOR - MODEL NO. PB20H46YT (96042003700), PRODUCT NO. 960 42 00-37
MOWER DECK**

KEY NO.	PART NO.	DESCRIPTION	KEY NO.	PART NO.	DESCRIPTION
1	405050X421	Mower Housing	63	199478	Arm Brake Mower
2	405506	Cover Mandrel RH	64	405139	Linkage Brake
3	405507	Cover Mandrel LH	67	198398X421	Handle, Clutch Cable
5	STD624008	Retainer Spring	68	405143	V-Belt
6	195186	Arm Suspension	69	72140505	Bolt
7	191611	Screw 10 x 3/4 Single Hex	70	199779	Clutch Asm. Manual
8	193003	Bolt/Washer asm 7/16-20 unf	86	197798	Pin Attachment Cable
11	405380	Blade Mower	87	197802	Switch Interlock
13	192872	Shaft Assembly, Mandrel	113	17000510	Screw 5/16-18
14	187281	Housing, Mandrel	116	4898H	Bolt, Shoulder
15	110485X	Bearing, Ball, Mandrel	117	188606	Wheel, Gauge
19	196539	Bolt, Shoulder	118	73930600	Nut, Crownlock 3/8-1
21	73680500	Nut	119	19121414	Washer 13/32 x 7/8 x 14 Ga.
23	192557	Bracket, Deflector	122	197258	Keeper Belt Eng. LH
24	105304X	Cap, Sleeve	123	197259	Keeper Belt Eng. RH
25	197026	Spring, Torsion, Deflector	144	199204	Keeper Belt
26	110452X	Nut, Push	145	177968	Pulley Idler
27	405357	Shield, Deflector	147	401872	Spring Return
29	131491	Rod, Hinge	151	199778	Bracket Clutch CBL
30	173984	Screw Thdrol Rolling Wsh Hd	152	408714	Cable Clutch Manual w/Spr.
31	187690	Washer, Spacer	186	197799	Arm Acutator CL Cable
32	195945	Pulley, Mandrel	187	400426	Lever Control CL Cable
33	400234	Nut, Toplock, Flanged	188	195161	Stud Fastener
34	72110612	Bolt Carr Sh. 3/8-16 x 1-1/2 Gr. 5	189	73900500	Nut Lock Hex Flange
36	196106	Pulley, Idler, Flat	193	197801	Spring Plunger Actuator
37	19131316	Washer 13/32 x 13/16 x 16 Ga.	194	197797	Bearing Control Lever Clutch
38	199189	Keeper Belt LH Mandrel	195	17000612	Screw 3/8-16 x 3/4
40	73900600	Nut, Lock Flg. 3/8-16 unc	196	19133210	Washer 13/32 x 2 x 10 Ga
42	198410	Spring Trosion Brake	197	19131312	Washer 13/32 x 13/16 x 12 Ga.
43	197256	Spring Torsion Retainer	198	403149	Baffle Center Front
46	137729	Screw	199	403150	Baffle Front RH
47	197250	Bracket Clutch Cable			
55	197249	Arm, Idler	--	192870	Mandrel Assembly (Includes housing, shaft and shaft hardware only-pulley not included)
56	199092	Spacer, Retainer			
57	17000616	Screw Hexwsh Thd 3/8-16 x 1	--	408314	Replacement Mower, Complete
59	141043	Guard, Tuv Idler (94)			
60	400132	Arm Brake Mower			
62	74520636	Bolt Fin Hex 3/8-16 x 2-1/4 Gr. 5			

NOTE: All component dimensions given in U.S. inches
1 inch = 25.4 mm

**TRACTOR - MODEL NO. PB20H46YT (96042003700), PRODUCT NO. 960 42 00-37
SEAT ASSEMBLY**



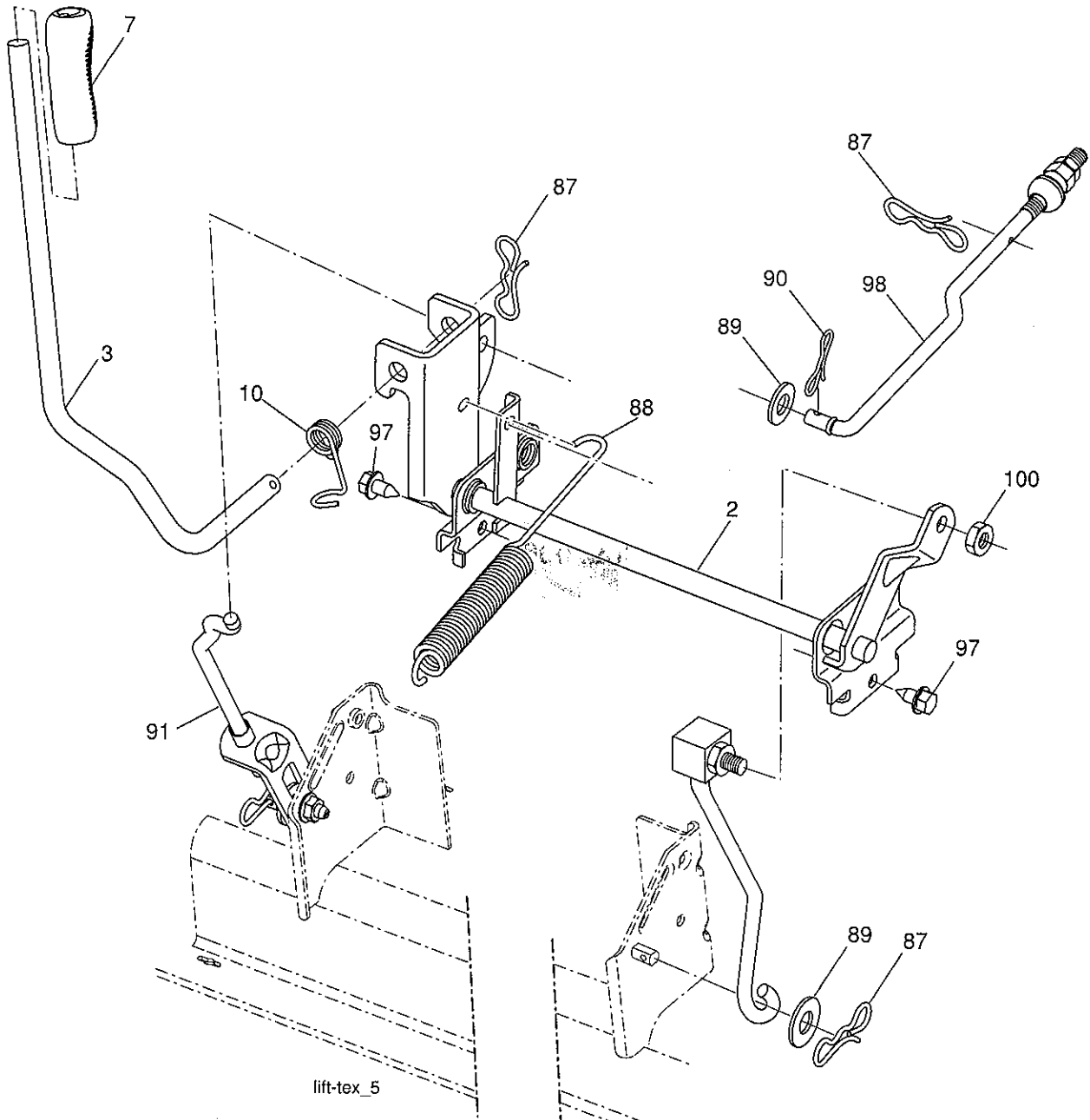
seat-tex_7-vgt

KEY NO.	PART NO.	DESCRIPTION
1	406623	Seat
2	180166	Bracket Pivot Fender
3	140675	Strap, Asm Fender
6	73800600	Nut, Lock W/Ins. 3/8-16 unc
7	124181X	Spring, Seat Cprsn
8	171877	Bolt 5/16-18 uncx 3/4 w/Sems
10	196977	Pan, Seat
21	171852	Bolt, Shoulder 5/16-18

KEY NO.	PART NO.	DESCRIPTION
37	73800500	Nut, Lock 5/16-18 unc
40	197661	Handle Slide Seat
41	198200	Spring Latch Seat
43	74760612	Bolt Fin Hex 3/8-16 UNC x 3/4
44	19133812	Washer 13/32 x 2-3/8 x 12Ga.

NOTE: All component dimensions given in U.S. inches
1 inch = 25.4 mm

**TRACTOR - MODEL NO. PB20H46YT (96042003700), PRODUCT NO. 960 42 00-37
MOWER LIFT**



KEY NO.	PART NO.	DESCRIPTION
2	195223	Shaft Asm., Lift
3	195231	Lever Asm., Lift Rh
7	196492X421	Grip, Lever
10	196314	Spring Torsion
87	194209	Pin Cotter 7/16 Bow Tie Lock
88	195303	Spring Lift Assist
89	19191912	Washer Clear Zinc

KEY NO.	PART NO.	DESCRIPTION
90	194208	Pin Cotter 5/16 Bow Tie Lock
91	195181	Link Asm. Lift Rear
97	17060612	Screw 3/8-16 x .75 Smgml Tap/R.Z
98	195270	Link Lift Susp. Front Mower
100	73930600	Nut Centerlock 3/8-16 UNC

NOTE: All component dimensions given in U.S. inches
1 inch = 25.4 mm