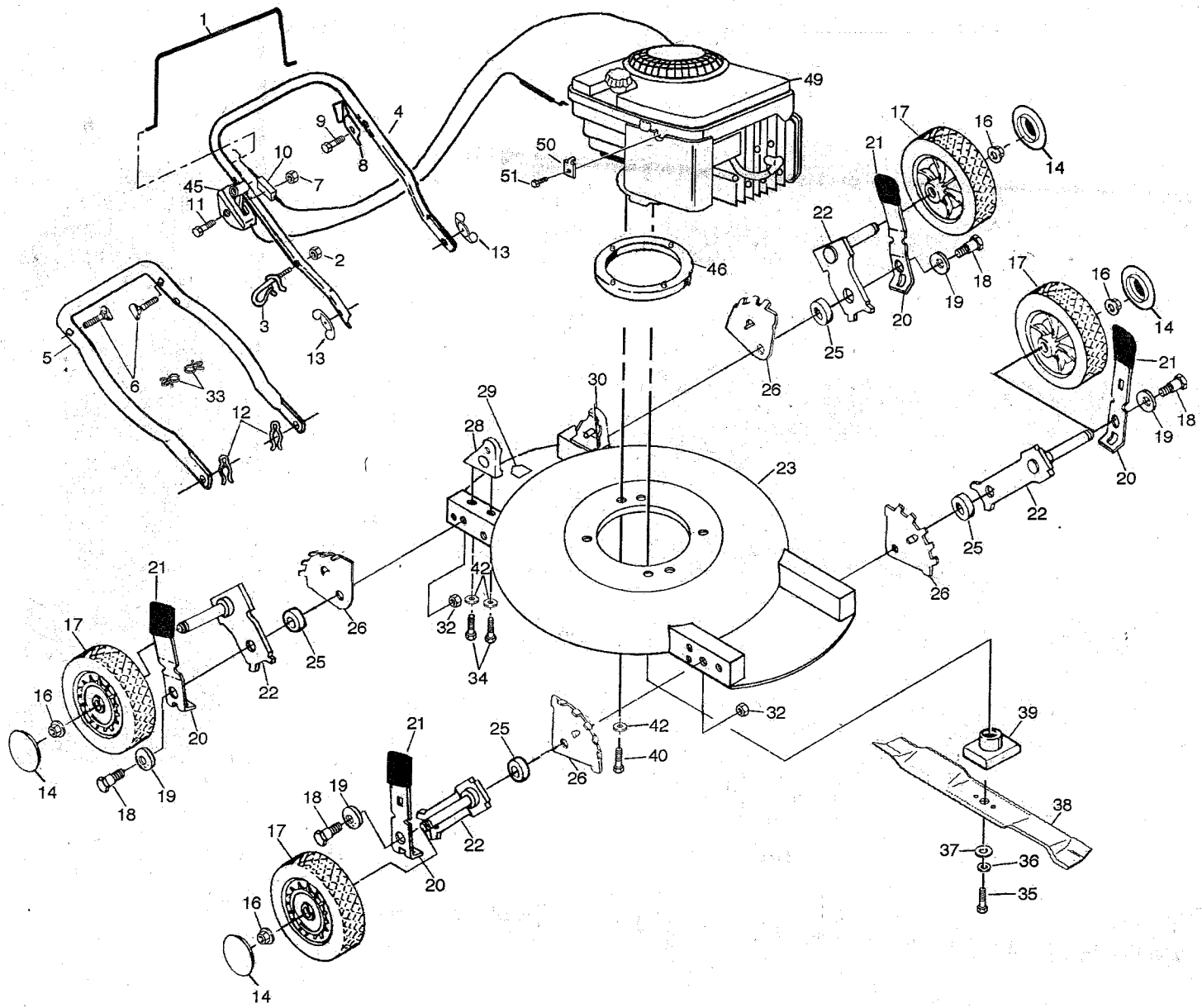


# REPAIR PARTS

## ROTARY LAWN MOWER -- MODEL NO. RE5E301A



# REPAIR PARTS

## ROTARY LAWN MOWER - - MODEL NO. RE5E301A

KEY NO.	PART NO.	DESCRIPTION	KEY NO.	PART NO.	DESCRIPTION
1	86902	Control Bar	26	700325X007	Wheel Adjusting Bracket
2	73510400	Locknut 1/4-20	28	151665X479	Handle Bracket Assembly (Right)
3	132001	Rope Guide	29	145494	Danger Decal
4	145645X479	Upper Handle	30	151667X479	Handle Bracket Assembly (Left)
5	151516X479	Lower Handle	32	751592	Locknut 3/8-16
6	131959	Handle Bolt 5/16-18 x 1-3/4	33	151517	Cable Clip
7	63601	Locknut 1/4-20	34	150078	Thread Cutting Screw 5/16-18 x 3/4
8	850733X004	Up-Stop Bracket	35	851084	Hex Head Screw 3/8-24 x 1-3/8
9	750097	Hex Washer Head Screw #10-24 x 1/2	36	850263	Helical Lockwasher 3/8
10	130861	Engine Zone Control Cable	37	851074	Hardened Washer
11	144929	Hex Washer Head Screw 1/4-20 x 2-1/8	38	145106	20" Blade
12	51793	Hairpin Cotter	39	851514	Blade Adapter
13	128638	Wing Nut	40	850999	Hex Head Tapping Screw 3/8-16 x 1-1/8
14	77400	Hubcap	42	53998	Washer, Flat
16	83923	Nut	45	700644	Throttle Control
17	146247	Wheel & Tire Assembly	46	850988	Spacer, Engine Ring
18	142748	Shoulder Bolt	49	-----	* Engine - Briggs & Stratton Model No. 128802
19	62335	Belleville Washer	50	213146	* Engine Clamp
20	700331X004	Selector Spring	51	83816	#10 Screw
21	87877	Vinyl Selector Knob	--	128728	Decal (Housing)
22	145935X004	Axle Arm Assembly	--	152647	Operator's Manual
23	152649	Lawn Mower Housing (Includes Key No. 29)	--	152648	Replacement Parts
25	146630	Spacer			

\* These parts must be purchased through an authorized Briggs & Stratton dealer.