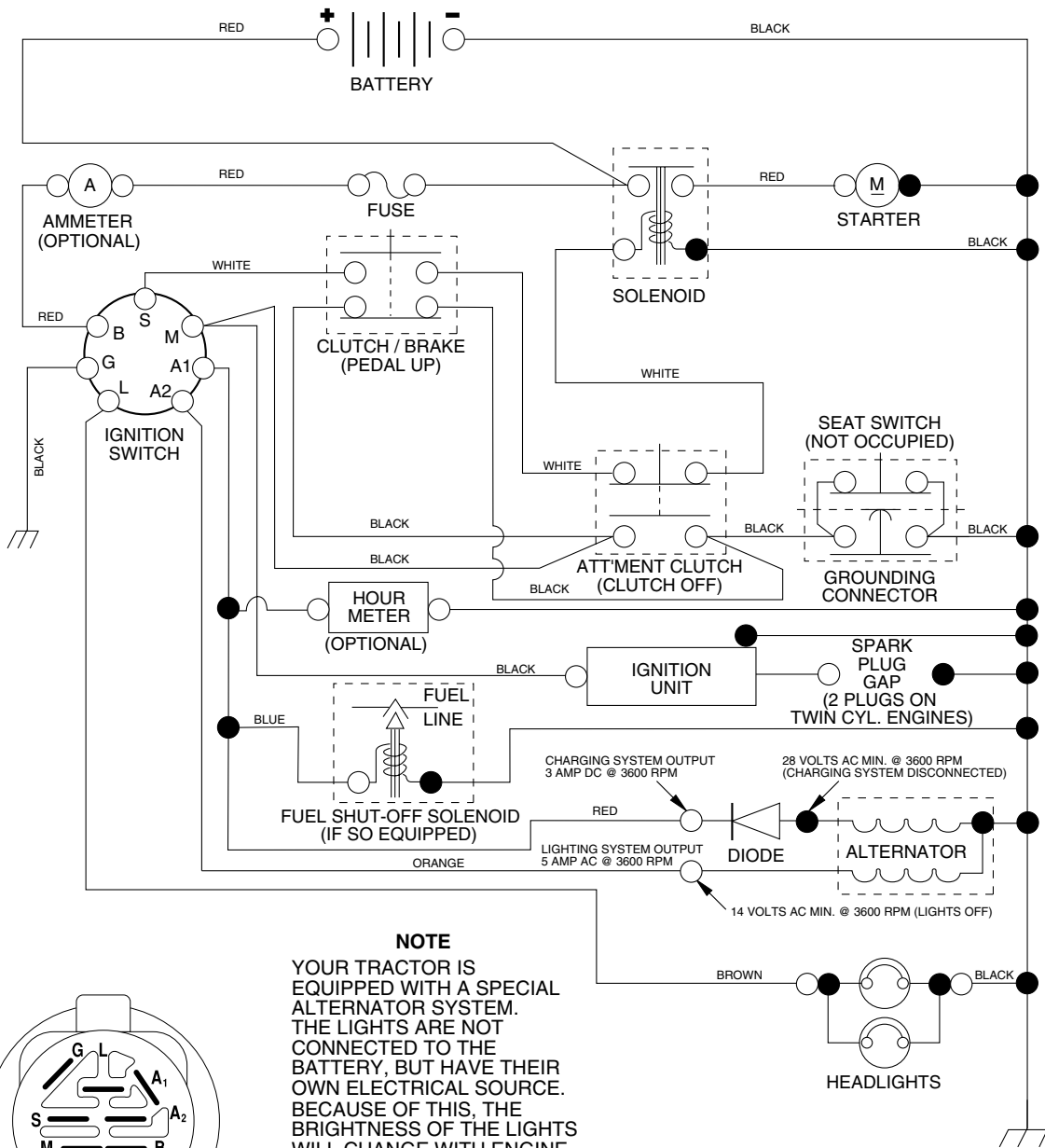


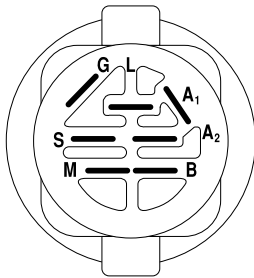
TRACTOR -- MODEL NUMBER SO17542STB

SCHEMATIC



NOTE

YOUR TRACTOR IS EQUIPPED WITH A SPECIAL ALTERNATOR SYSTEM. THE LIGHTS ARE NOT CONNECTED TO THE BATTERY, BUT HAVE THEIR OWN ELECTRICAL SOURCE. BECAUSE OF THIS, THE BRIGHTNESS OF THE LIGHTS WILL CHANGE WITH ENGINE SPEED. AT IDLE THE LIGHTS WILL DIM. AS THE ENGINE IS SPEEDED UP, THE LIGHTS WILL BECOME THEIR BRIGHTEST.



IGNITION SWITCH

POSITION	CIRCUIT	"MAKE"
OFF	M+G+A1	NONE
RUN/LIGHT	B+A1	A2+L
RUN	B+A1	NONE
START	B + S + A1	NONE

WIRING INSULATED CLIPS

NOTE: IF WIRING INSULATED CLIPS WERE REMOVED FOR SERVICING OF UNIT, THEY SHOULD BE REPLACED TO PROPERLY SECURE YOUR WIRING.

02363

NON-REMOVABLE CONNECTIONS

REMOVABLE CONNECTIONS

ELECTRICAL

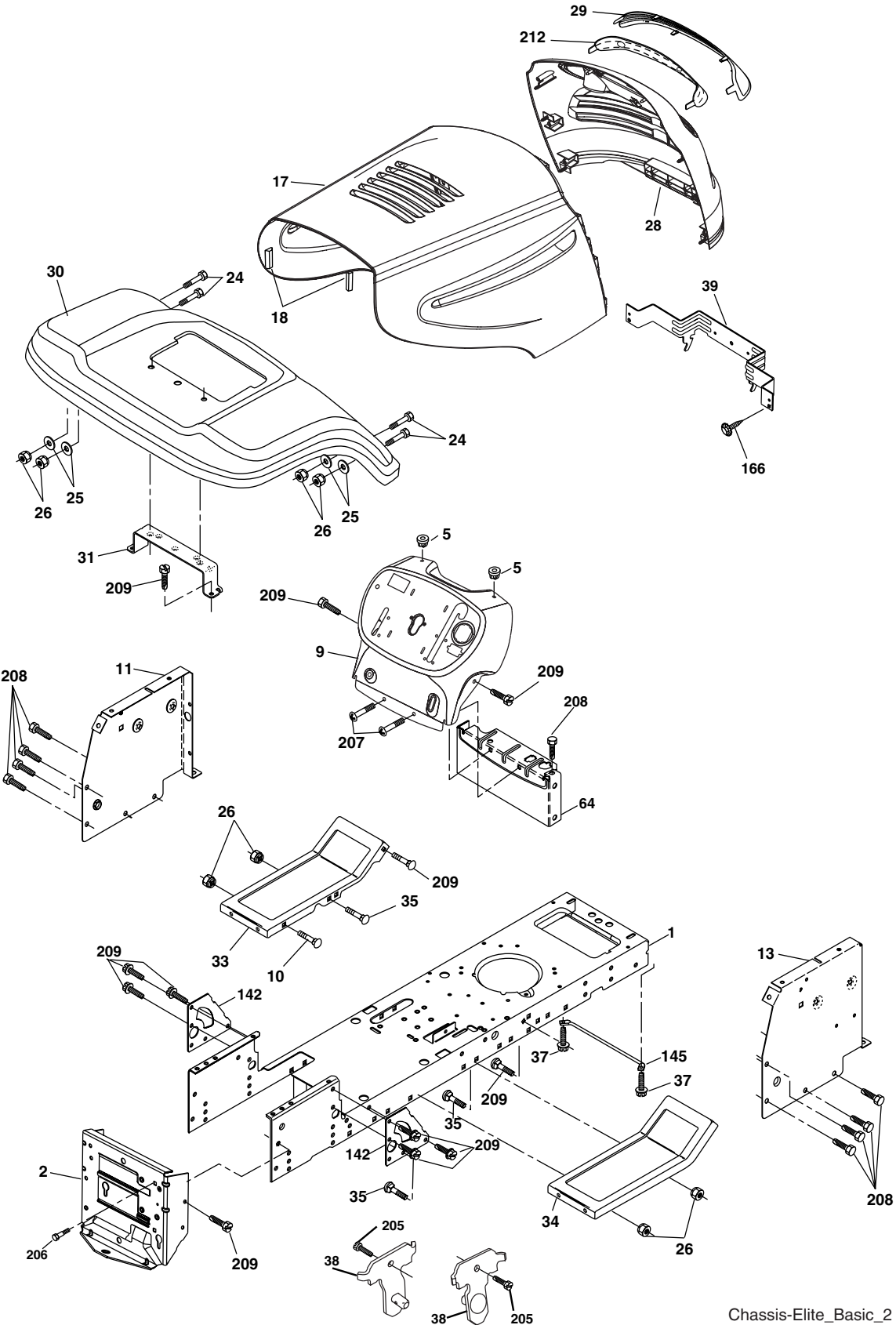
TRACTOR -- MODEL NUMBER SO17542STB

KEY NO.	PART NO.	DESCRIPTION
1	163465	Battery 12 Volt 25 Amp
2	74760412	Bolt Hex Hd 1/4-20 unc x 3/4
8	176689	Box Battery
16	176138	Switch Interlock Push -In
21	183759	Harness Asm Light W/4152J
22	4152J	Bulb Light #1156
24	4799J	Cable Battery 6 Ga. 11"red
25	146147	Cable Battery 6 Ga. w/16 wire,red
26	175158	Fuse 20 AMP
27	73510400	Nut Keps Hex 1/4-20 unc
28	4207J	Cable Ground 6 Ga. 12" black
29	121305X	Switch Plunger Nc Gray
30	175566	Switch Ign
33	140401	Key Ign
40	179720	Harness Ign
41	71110408	Bolt Blk Fin Hex 1/4-20 x 1/2
42	131563	Cover Terminal Red
43	178861	Solenoid
45	121433X	Ammeter
52	141940	Protection Wire Loop
90	180449	Cover Terminal

NOTE: All component dimensions given in U. S. inches 1 inch = 25.4 mm

TRACTOR -- MODEL NUMBER SO17542STB

CHASSIS AND ENCLOSURES



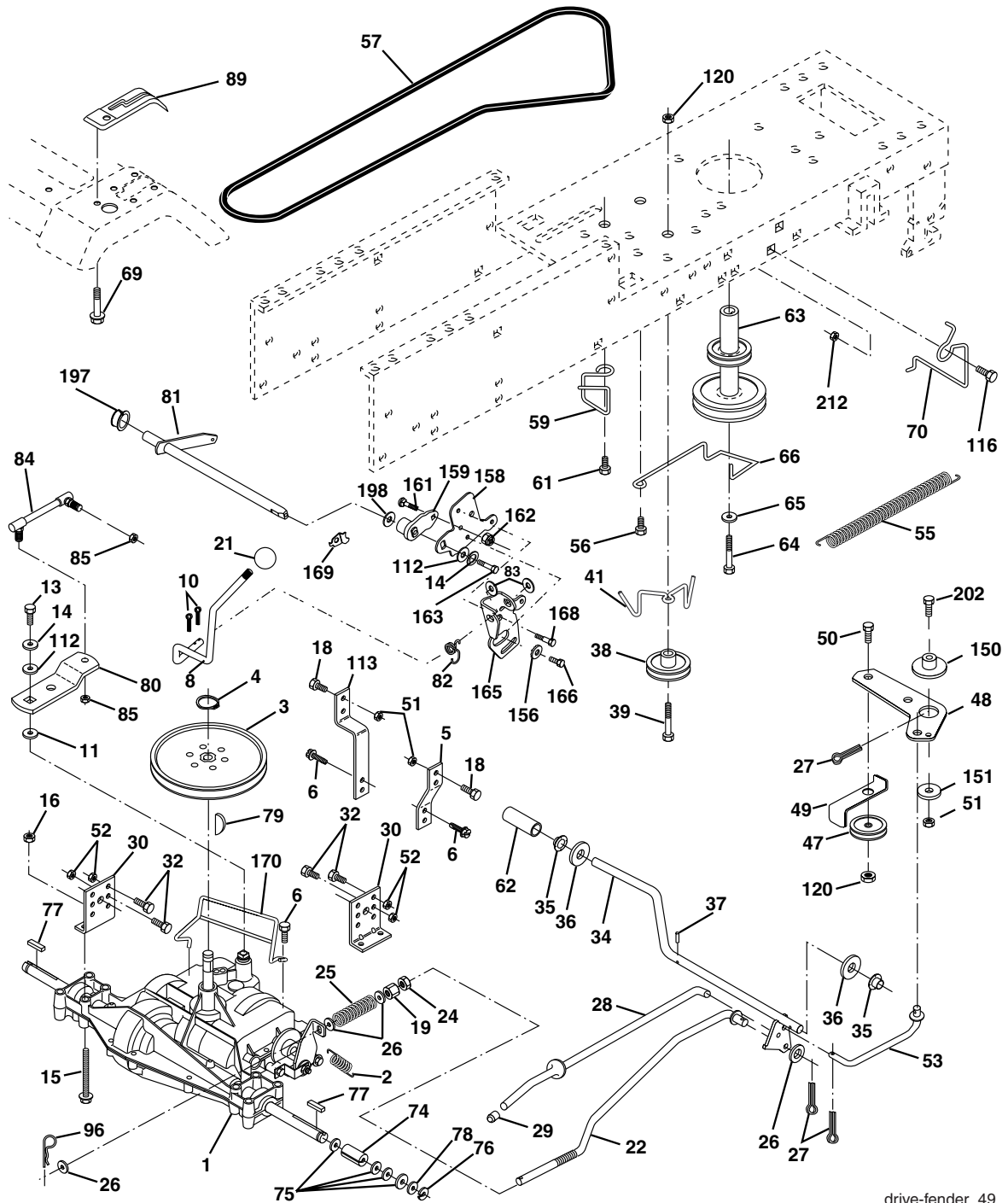
Chassis-Elite_Basic_2

**TRACTOR -- MODEL NUMBER SO17542STB
CHASSIS AND ENCLOSURES**

KEY NO.	PART NO.	DESCRIPTION
1	174619	Chassis
2	176554	Drawbar
5	155272	Bumper Hood/Dash
9	187846X012	Dash
10	72140608	Bolt Carriage 3/8-16 x 1
11	174996	Panel Dash Lh
13	179174X010	Panel Dash Rh
17	183394X505	Hood
18	184921	Bumper Hood
24	74780616	Bolt Fin Hex 3/8-16 x 1 Gr. 5
25	19131312	Washer 13/32 x 13/16 x 12 Ga.
26	73800600	Nut Lock Hex W/Ins 3/8-16 unc
28	183826	Grille (Includes #'s 29 and 212)
29	183824X599	Lens
30	169468X505	Fender Footrest STLT Pnt
31	136619	Bracket Support Fender
33	179716X505	Footrest Pnt Lh
34	179717X505	Footrest Pnt Rh
35	72110606	Bolt Rdhd Sht Sqnk 3/8-16 x 3/4
37	17490508	Screw Thdrol 6/16-18 x 1/2 TYT
38	175710	Bracket Asm. Pivot Mower Rear
39	174714	Bracket Pivot
64	154798	Dash Lower STLT
142	175702	Plate Reinforcement STLT
145	156524	Rod Pivot Chassis/Hood
166	191611	Screw 10 x 3/4 Single Lead Hex
205	17490608	Screw Thdrol 3/8-16 x 1-1/4
206	170165	Bolt Shoulder 5/16-18
207	17670508	Screw Thdrol 5/16-18 x 1/2
208	17670608	Screw Thdrol 3/8-16 x 1/2
209	17000612	Screw Hex Wsh Thdr. 3/8-16 x 3/4
212	183823	Insert Lens Reflect
--	5479J	Plug Btn Blk .359
--	187801	Plug Dome Plastic

NOTE: All component dimensions given in U. S.
inches 1 inch = 25.4 mm

TRACTOR -- MODEL NUMBER SO17542STB
GROUND DRIVE



drive-fender_49

TRACTOR -- MODEL NUMBER SO17542STB

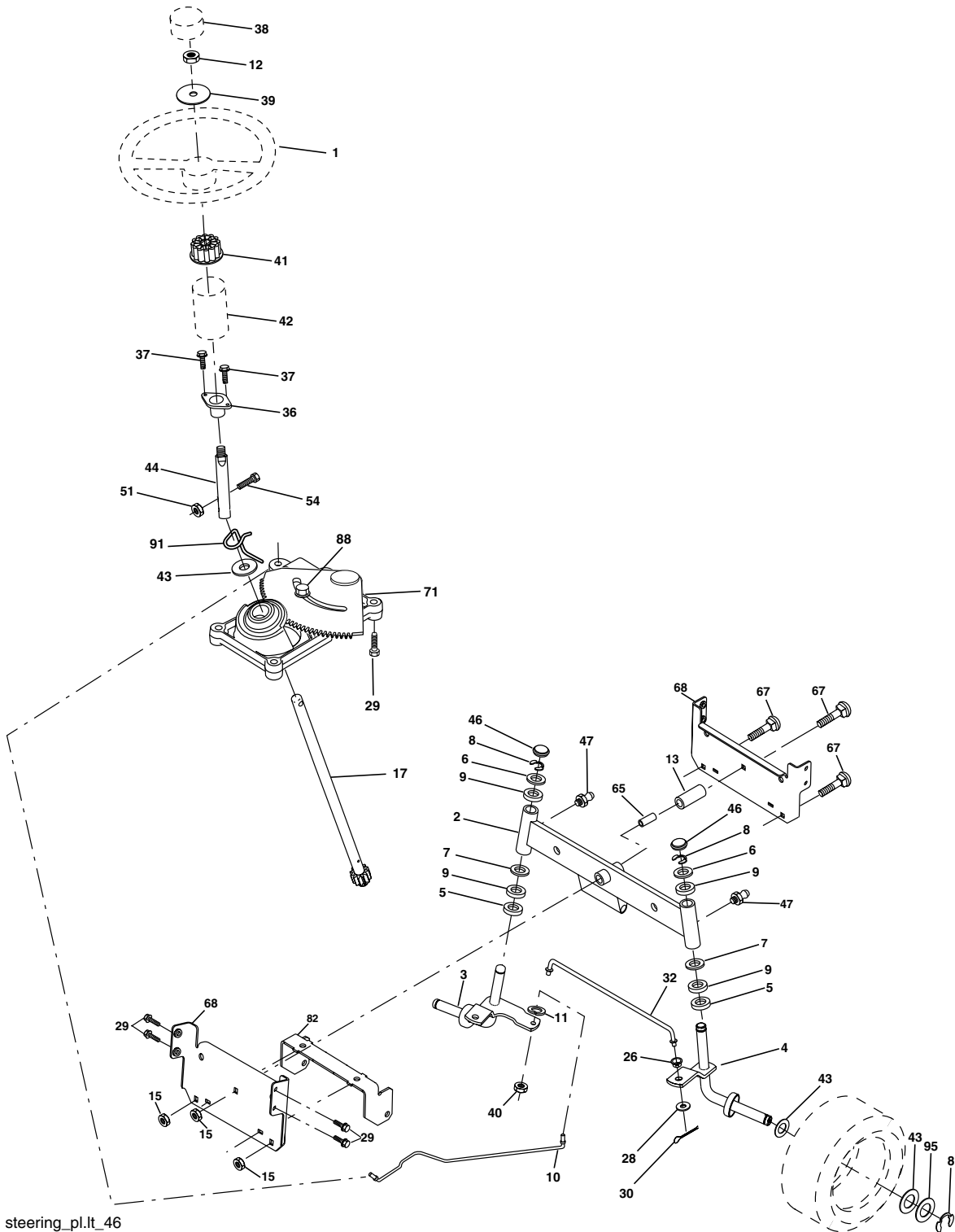
GROUND DRIVE

KEY NO.	PART NO.	DESCRIPTION	KEY NO.	PART NO.	DESCRIPTION
1	-----	Transaxle Peerless (206-545C) (Order parts from transaxle manu facturer)	61	17120614	Screw 3/8-16 x .875
2	146682	Spring Return Brake T/a Zinc	62	8883R	Cover Pedal Blk Round
3	123666X	Pulley Transaxle 18" tires	63	175410	Engine Pulley
4	12000028	Ring Retainer # 5100-62	64	173937	Bolt Hex
5	121520X	Strap Torque 30 Degrees	65	10040700	Washer Lock Hvy Hlcl Spr 7/16
6	17000512	Screw 5/16-18 x 3/4	66	154778	Keeper Belt Engine Foolproof
8	165619	Rod Shift Fender Adjust Lt	69	142432	Screw Hex wsh HiLo 1/4 x 1/2 unc
10	76020416	Pin Cotter 1/8 x 1 Cad	70	134683	Guide Belt Mower Drive RH
11	105701X	Washer Plate Shf 388 Sq Hole	74	137057	Spacer Axle
13	74550412	Bolt 1/4-28 Unf Gr. 8 W/Patch	75	121749X	Washer 25/32 x 1 1/4 x 16 Ga.
14	10040400	Washer Lock Hvy Helical	76	12000001	E-ring #5133-75
15	74490544	Bolt Hex FLGHD 5/16-18 Gr. 5	77	123583X	Key Square 2 0 x 1845/ 1865
16	73800500	Nut Lock Hex w/ins 5/16-18	78	121748X	Washer 25/32 x 1-5/8 x 16 Ga.
18	74780616	Bolt, Fin Hex 3/8-16 unc x 1 Gr. 5	79	2228M	Key Woodruff #9 3/16 x 3/4
19	73800600	Nut Lock 3/8-16 Unc	80	131486	Arm Shift
21	106933X	Knob	81	165594	Shaft Asm Cross Tapered PMST/20
22	130804	Rod Brake Blk Zinc 26 840	82	123782X	Spring Torsion T/a
24	73350600	Nut Hex Jam 3/8-16 unc	83	19171216	Washer 17/32 x 3/4 x 16 Ga.
25	106888X	Spring Rod Brake 2 00 Zinc	84	166228	Link Transaxle PMST/18" Zinc
26	19131316	Washer 13/32 x 13/16 x 16 Ga.	85	150360	Nut Lock Center 1/4 - 28 FNTHD
27	76020412	Pin Cotter 1/8 x 3/4 Cad	89	169372X428	Console Shift STLT
28	175765	Rod Brake Parking LT/YT	96	4497H	Retainer Spring 1"
29	71673	Cap Brake Parking	112	19091210	Washer 9/32 x 3/4 x 10 Ga.
30	174973	Bracket Mtg Transaxle	113	127285X	Strap Torque LT
32	74760512	Bolt Hex Hd 5/16-18 unc x 3/4	116	72140608	Bolt Rdhd Sq Neck 3/8-16 x 1
34	175578	Shaft Asm Pedal Foot	120	73900600	Nut Lock Flg. 3/8-16 unc
35	120183X	Bearing Nylon Blk 629 Id	150	175456	Spacer Retainer
36	19211616	Washer 21/32 x 1 x 16 Ga.	151	19133210	Washer 13/32 x 2 x 10
37	1572H	Pin Roll 3/16 x 1"	156	166002	Washer Srrted 5/16ID x 1.125
38	179114	Pulley Composite Flat	158	165589	Bracket Shift Mount
39	72110622	Bolt RDHD 3/8-16 unc x 2-3/4 Gr. 5	159	183900	Hub Tapered Flange Shift Lt
41	175556	Keeper Belt Flat Idler	161	72140406	Bolt Rdhd Sqnk 1/4-20 x 3/4
47	127783	Pulley Idler V Groove Plastic	162	73680400	Nut Crownlock 1/4-20 unc
48	154407	Bellcrank Asm	163	74780416	Bolt Hex Fin 1/4-20 unc x 1 Gr. 5
49	123205X	Retainer Belt Style Spring	165	165623	Bracket Pivot Lever
50	72110612	Bolt Carr. Sh. 3/8-16 x 1-1/2 Gr. 5	166	17490510	Screw 5/16-18 x 5/8
51	73680600	Nut Crownlock 3/8-16 unc	168	165492	Bolt Shoulder 5/16-18 x .561
52	73680500	Nut Crownlock 5/16-18 unc	169	165580	Plate Fastening
53	105710X	Link Clutch	170	187414	Keeper Belt Transaxle Gear
55	105709X	Spring Return Clutch 6 75	197	169613	Nyliner Snap-In
56	17060620	Screw 3/8-16 x 1-1/4	198	169593	Washer Nyliner
57	130801	V-Belt Ground Drive 95 25	202	72110614	Bolt RdHd 3/8-16 unc x 1-3/4 Gr. 5
59	169691	Keeper Belt Span Ctr	212	145212	Nut Hexflange Lock

NOTE: All component dimensions given in U. S.
inches 1 inch = 25.4 mm

TRACTOR -- MODEL NUMBER SO17542STB

STEERING



steering_pl.it_46

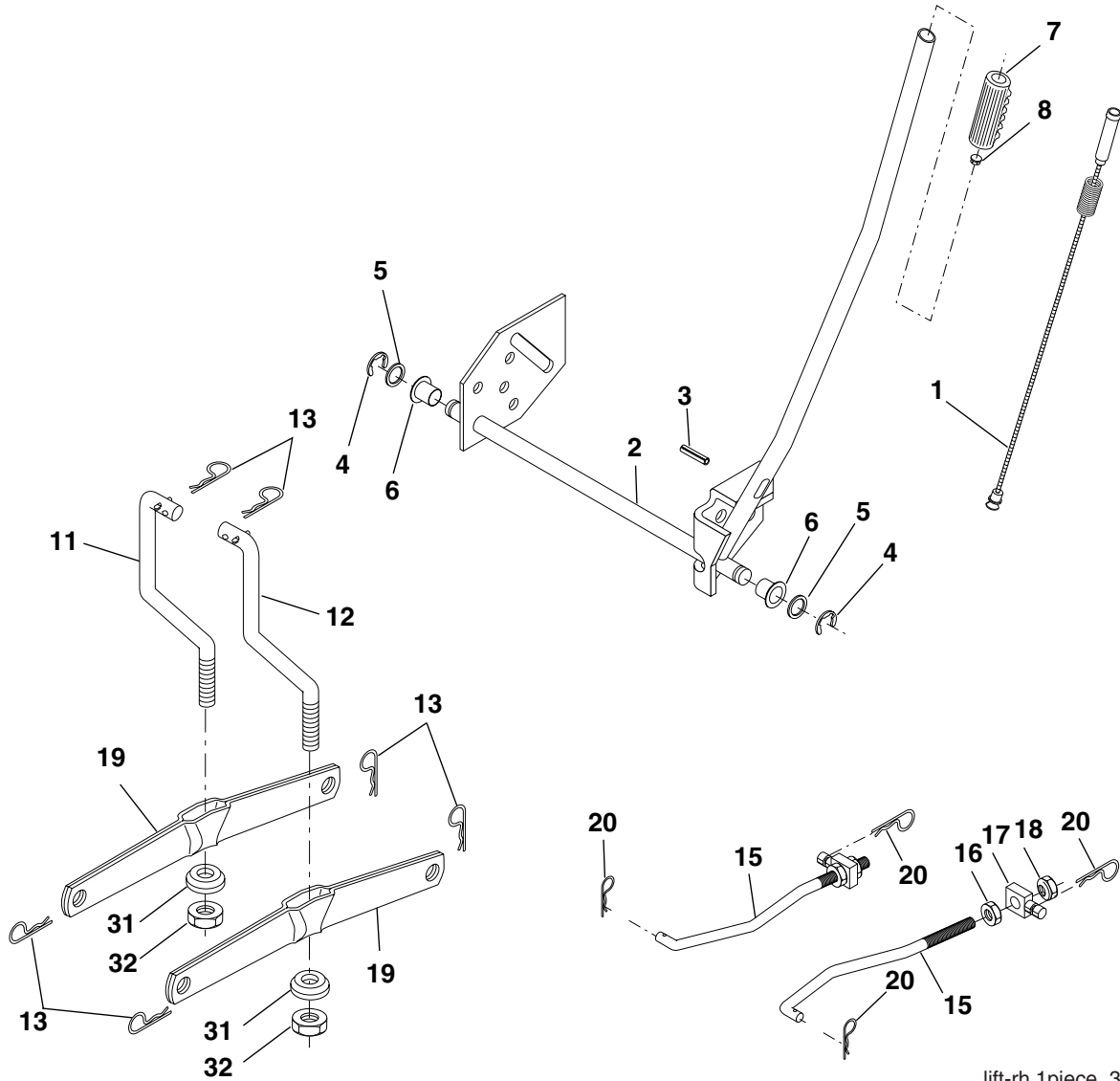
STEERING

TRACTOR -- MODEL NUMBER SO17542STB

KEY NO.	PART NO.	DESCRIPTION
1	140044X428	Wheel Steering Auto Black
2	175131	Axle Asm Front
3	169840	Spindle Asm Lh
4	169839	Spindle Asm Rh
5	6266H	Bearing Race Thrust Harden
6	121748X	Washer 25/32 x 1 5/8 x 16 Ga.
7	19272016	Washer 27/32 x 1 1/4 x 16 Ga.
8	12000029	Ring Klip #t5304-75
9	3366R	Bearing Col Strg Blk
10	175121	Link Drag Extended
11	10040600	Lockwasher
12	73940800	Nut Hex Jam Toplock 1/2-20 unf
13	136518	Spacer Bearing Axle Front
15	145212	Hex Flange Lock
17	180641	Shaft Asm Strg
26	126847X	Bushing Rod Tie Blk Lt
28	19131416	Washer 13/32 x 7/8 x 16 Ga.
29	17000612	Screw 3/8-16 x 3/4
30	76020412	Pin
32	130465	Rod Tie Wire Form 19 75 Mech
36	155099	Bushing Strg 5/8 Id Dash
37	152927	Screw TT #10-32 x 5 x 3/8 Flange
38	140045X428	Insert Cap Strg
39	19183812	Washer 9/16 ID x 2-3/8 OD 12 Gr.
40	73540600	Nut Crownlock
41	186737	Adaptor Wheel Strg .760
42	145054X428	Boot Dash Steering
43	121749X	Washer 25/32 x 1 1/4 x 16 Ga.
44	180640	Extension Steering
46	121232X	Cap Spindle Fr Top Blk
47	183226	Fitting Grease
51	73540400	Nut Crownlock 1/4-28
54	71130420	Bolt Hex 1/4-28 unf x 1-1/4 Gr. 8
65	160367	Spacer Brace Axle
67	72110618	Bolt Rdhd Sq 3/8-16 unc x 2-1/4
68	169827	Brace Axle
71	175146	Steering Asm
82	169835	Bracket Susp Chassis Front
88	175118	Bolt Shoulder 7/16-20
91	175553	Clip Steering
95	188967	Washer Hardened

NOTE: All component dimensions given in U. S. inches
1 inch = 25.4 mm

TRACTOR -- MODEL NUMBER SO17542STB
LIFT ASSEMBLY



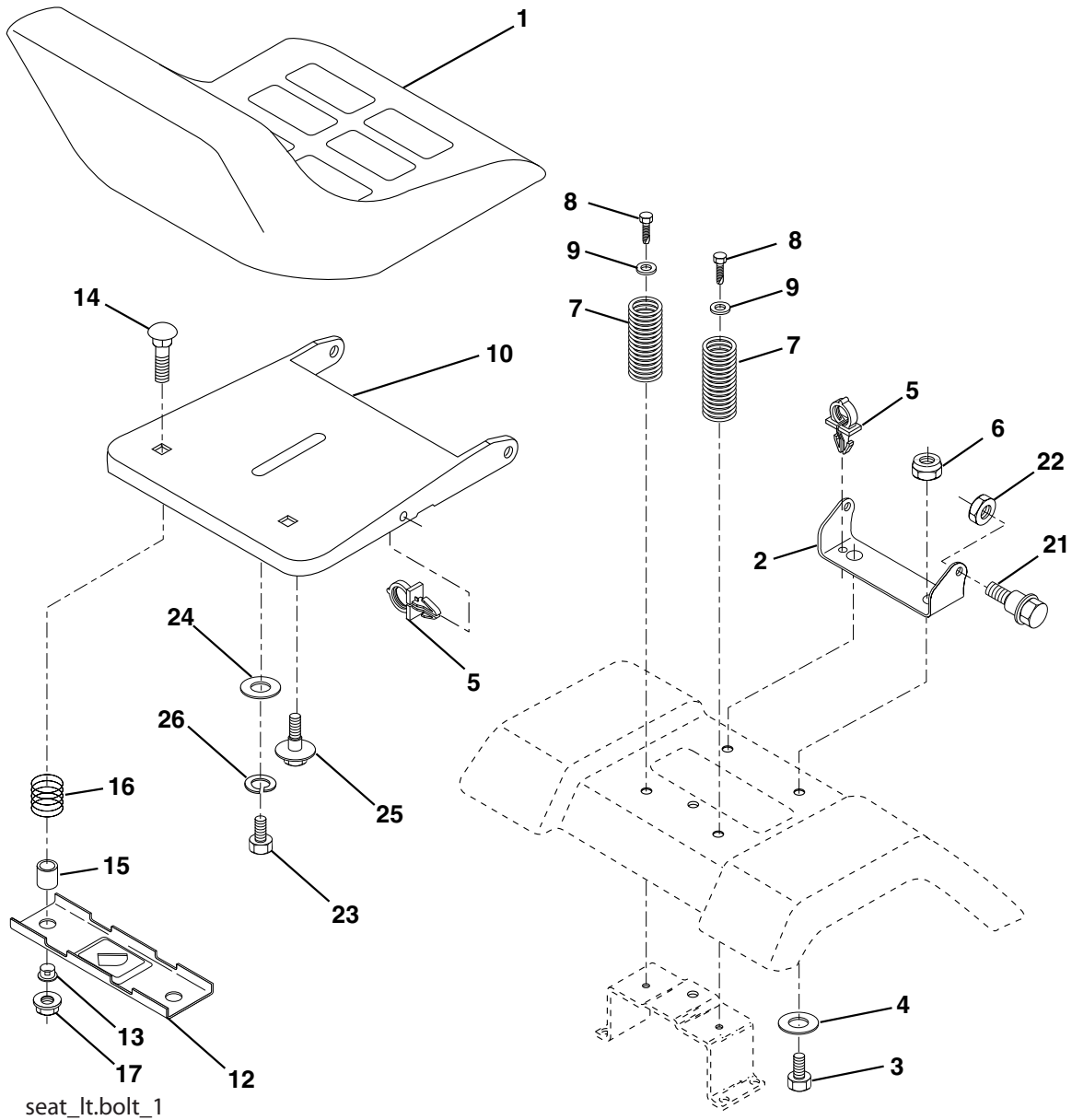
lift-rh.1piece_3

KEY PART NO.	PART NO.	DESCRIPTION
1	159461	Wire Asm Inner/Sprg w/Plunger
2	159476	Shaft Asm Lift
3	188822	Pin Groove
4	12000002	E Ring #5133-62
5	19211621	Washer 21/32 x 1 x 21 Ga.
6	120183X	Bearing Nylon
7	109413X	Grip Handle
8	124526X	Button Plunger
11	139865	Link Lift Lh
12	139866	Link Lift Rh
13	4939M	Retainer Spring

KEY PART NO.	PART NO.	DESCRIPTION
15	173288	Link Front
16	73350800	Nut Jam Hex 1/2-13 unc
17	175689	Trunnion Blk Zinc
18	73800800	Nut Lock w/Wsh 1/2-13 unc
19	139868	Arm Suspension Rear
20	163552	Retainer Spring
31	169865	Bearing Pvt Lift
32	73540600	Nut Crownlock 3/8-24

NOTE: All component dimensions given in U. S. inches 1 inch = 25.4 mm

TRACTOR -- MODEL NUMBER SO17542STB
SEAT ASSEMBLY



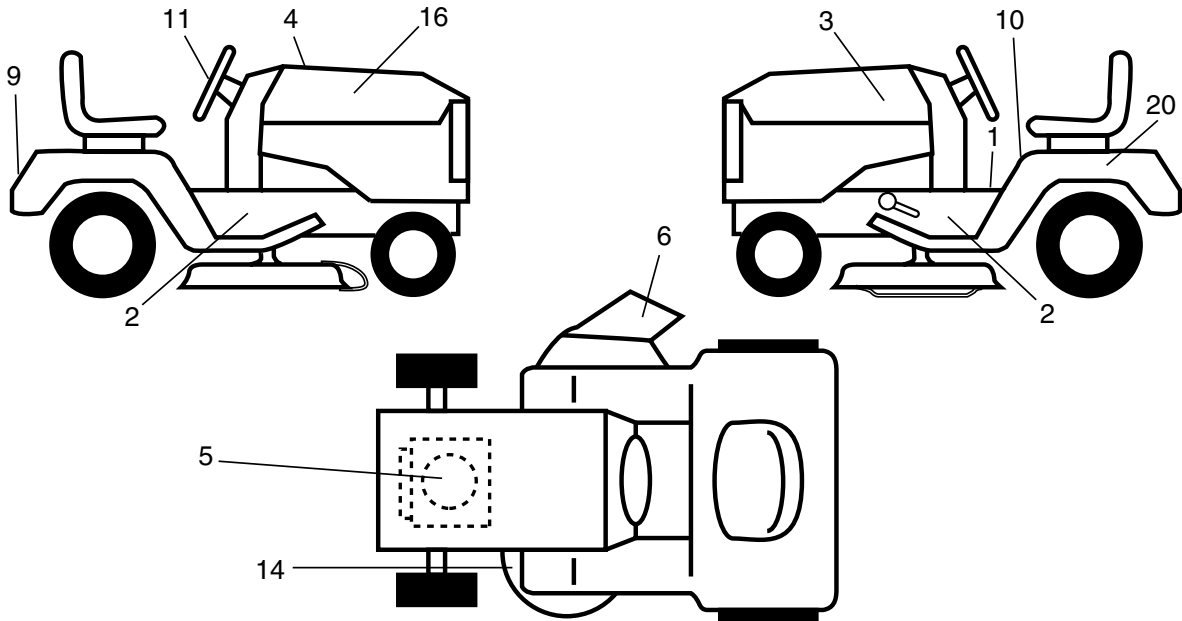
KEY NO.	PART NO.	DESCRIPTION
1	175389	Seat
2	140551	Bracket Pnt Pivot Seat (blk)
3	188978	Bolt
4	189116	Washer 13/32 x 1 x 10 Ga.
5	184774	Clip Push-In Hinged
6	73800600	Nut
7	124181X	Spring Seat Cprsn 2 250 Blk Zi
8	17000616	Screw 3/8-16 x 1.5
9	19131614	Washer 13/32 x 1 x 14 Ga.
10	182493	Pan Pnt Seat (blk)
12	121246X	Bracket Pnt Mounting Switch
13	121248X	Bushing Snap Blk Nyl 50 Id

KEY NO.	PART NO.	DESCRIPTION
14	72050412	Bolt Rdhd Sht Nk 1/4-20 x 1-1/2
15	134300	Spacer Split 28 x 96 Yel Zinc
16	121250X	Spring Cprsn 1 27 Blk Pnt
17	123976X	Nut Lock 1/4 Lge Flg Gr. 5 Zinc
21	171852	Bolt Shoulder 5/16-18 unc Blkz-2A
22	73800500	Nut
23	71110814	Bolt Hex Black
24	19171912	Washer 17/32 x 1-3/16 x 12 Ga.
25	127018X	Bolt Shoulder 5/16-18 x 62
26	10040800	Lockwasher

NOTE: All component dimensions given in U. S. inches 1 inch = 25.4 mm

TRACTOR -- MODEL NUMBER SO17542STB

DECALS



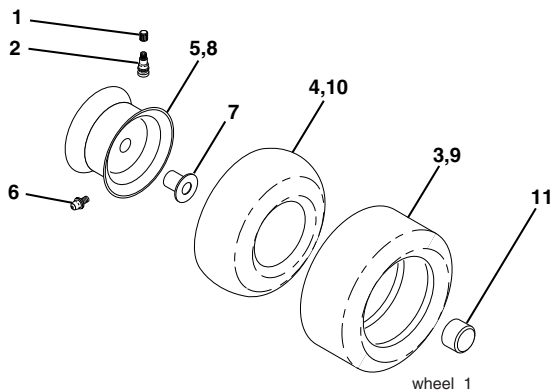
KEY PART NO. NO.

KEY PART NO.	NO.	DESCRIPTION
1	156368	Decal Oper
2	190535	Decal Chassis
3	190428	Decal Hood LH
4	189116	Decal Replace
5	184774	Decal HP Engine
6	179128	Decal Deck "B" 42"
9	190429	Decal Fender Logo
10	157141	Decal Fender Danger E/F

KEY PART NO. NO.

KEY PART NO.	NO.	DESCRIPTION
11	190431	Decal Ins Strg Whl
14	160396	Decal V-Belt Schematic
16	190427	Decal Hood Rh
20	145005	Decal Bat Dan/Psn
--	138311	Decal Handle Lft Height Adjust
--	191780	Manual Owner's (English)
--	191781	Manual Owner's (Spanish)

WHEELS AND TIRES



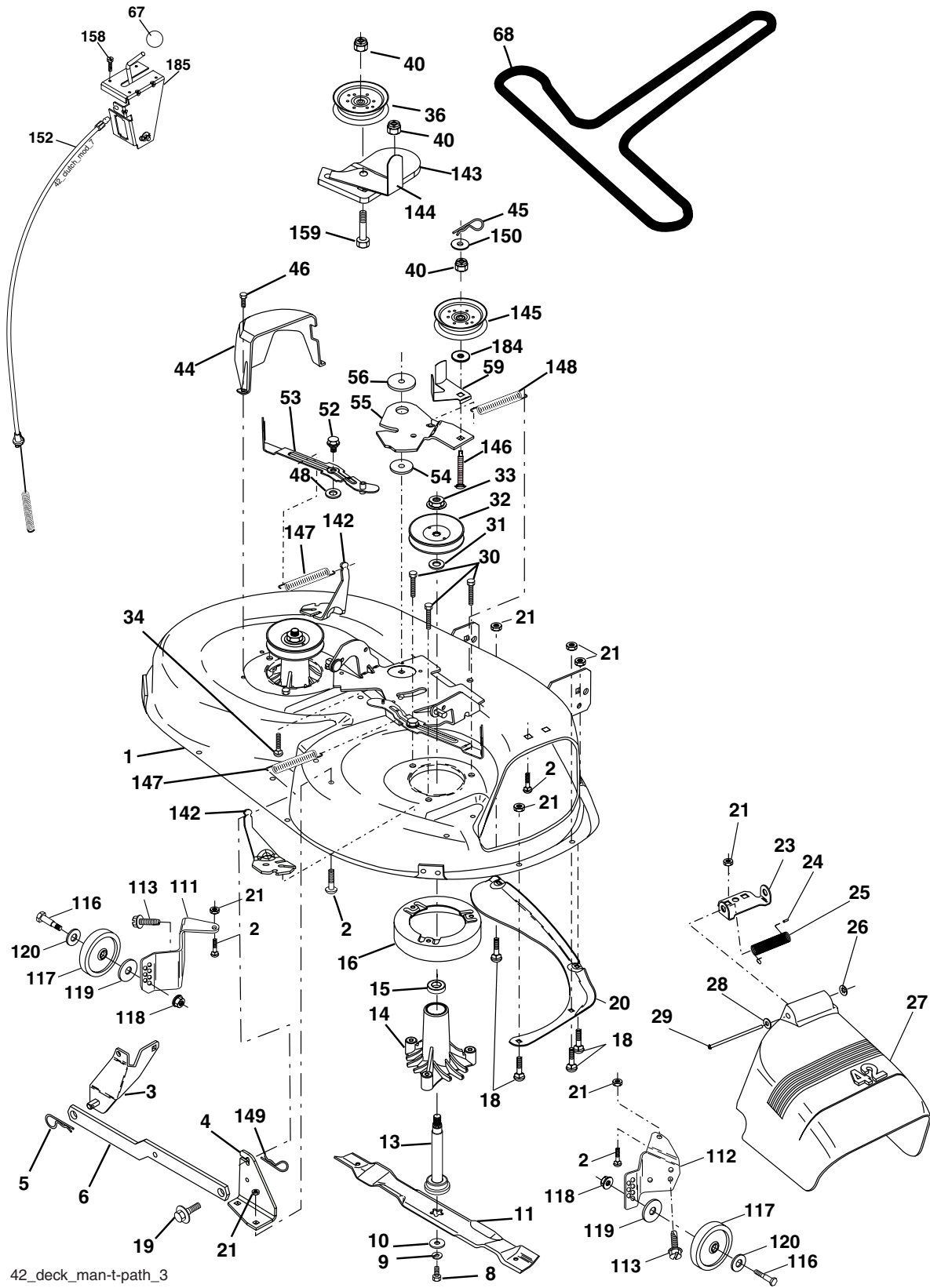
KEY PART NO. NO.

KEY PART NO.	NO.	DESCRIPTION
1	59192	Cap Valve Tire
2	65139	Stem Valve
3	106222X	Tire F Ts 15 x 6 0 - 6 Service
4	59904	Tube Front (Service Item Only)
5	106732X624	Rim Asm 6" front Service
6	278H	Fitting Grease (Front Wheel Only)
7	9040H	Bearing Flange (Front Wheel Only)
8	106108X624	Rim Asm 8" rear Service
9	106268X	Tire R Ts 18 x 9.5-8 Service
10	7152J	Tube Rear (Service Item Only)
11	104757X428	Cap Axle 1 50 x 1 00
--	144334	Sealant, Tire (10 oz. Tube)

NOTE: All component dimensions given in U. S. inches 1 inch = 25.4 mm

TRACTOR -- MODEL NUMBER SO17542STB

MOWER DECK



TRACTOR -- MODEL NUMBER SO17542STB

MOWER DECK

KEY NO.	PART NO.	DESCRIPTION	KEY NO.	PART NO.	DESCRIPTION
1	165892	Mower Deck Assembly, 42"	46	137729	Screw, Thdrol 1/4-20 x 5/8 T
2	72140506	Bolt	48	133944	Washer, Hardened
3	138017	Bracket Asm Fr. Sway Bar 3/42	52	139888	Bolt, Shoulder 5/16-18 unc
4	165460	Bracket Asm Deck 42" Sway Bar	53	184907	Arm Assembly, Pad, Brake
5	4939M	Retainer Spring	54	178515	Washer, Hardened
6	178024	Bar Sway Deck	55	155046	Arm, Idler
8	850857	Bolt 3/8-24 x 25 Gr. 8 patched	56	165723	Spacer, Retainer
9	10030600	Washer, Lock	59	141043	Guard TUV Idler
10	140296	Washer, Hardened (The following blades are available)	67	106932X	Knob
11	134149	Blade, 42" Mulching Std (For mulching mowers only)	68	144959	V-Belt, 42" Mower
--	139775	Blade, 42" Mulching Premium (For better wear when mulching)	111	179292	Bracket Wheel Guage LH
--	138971	Blade, 42" Hi-Lift (For bagging or discharging)	112	179293	Bracket Wheel Gauge RH
13	137645	Shaft Assembly, Mandrel, Vented	113	72140506	Bolt Rdhd Sqnk 5/16-18 unc x 3/4
14	128774	Housing, Mandrel, Vented	116	4898H	Bolt Shoulder
15	110485X	Bearing, Ball, Mandrel	117	105455X	Wheel Guage
16	174493	Stripper, Mandrel Deck	118	73930600	Nut Centerlock 3/8-16 unc
18	72140505	Bolt, Carriage 5/16-18 x 5/8	119	19171512	Washer 17/32 x 15/16 x 12 Ga.
19	132827	Bolt, Shoulder	120	19121414	Washer 3/8 x 7/8 x 14 Ga.
20	159770	Baffle, Vortex	142	165890	Arm Spring Brake Mower
21	73680500	Nut	143	157109	Bracket Arm Idler 42"
23	177563	Bracket, Deflector Mower 42"	144	158634	Keeper Belt 42" Clutch Cable
24	105304X	Cap, Sleeve 80 x 112 Blk Mower	145	165888	Pulley Idler Flat
25	123713X	Spring, Torsion, Deflector 2 52	146	171977	Bolt Carriage Idler
26	110452X	Nut, Push Phos & Oil	147	131335	Spring Extension
27	130968X428	Shield, Deflector 42" Blk	148	169022	Spring Return Idler
28	19111016	Washer 11/32 x 5/8 x 16 Ga.	149	165898	Retainer Spring Yellow
29	131491	Rod, Hinge 42" 6 75 W/G	150	19091210	Washer 9/32 x 3/4 x 10 Ga.
30	173984	Screw Thdrol Washer Head	152	169676	Clutch Cable 42"
31	187690	Washer, Spacer Mower Vented	158	17720408	Screw Hex Thd Cut 1/4-20 x 1/2
32	153535	Pulley, Mandrel	159	72140614	Bolt Rdhd Sqn 3/8-16 unc x 1-3/4
33	178342	Nut, Toplock 9/16 Flange	184	19131410	Washer 13/32 x 7/8 x 10 Ga.
34	72110612	Bolt	185	188234	Head Asm Cable Clutch
36	131494	Pulley, Idler, Flat	--	130794	Mandrel Assembly (Includes Housing, Shaft and Shaft Hardware Only-Pulley Not Included)
37	19131316	Washer 13/32 x 13/16 x 16 Ga.	--	171491	Replacement Mower, Complete (Std. Deck-Order separately gauge wheel components key nos. 116 - 119)
40	73900600	Nut			
44	140088	Guard, Mandrel, LH			
45	4497H	Retainer			

NOTE: All component dimensions given in U. S. inches 1 inch = 25.4 mm