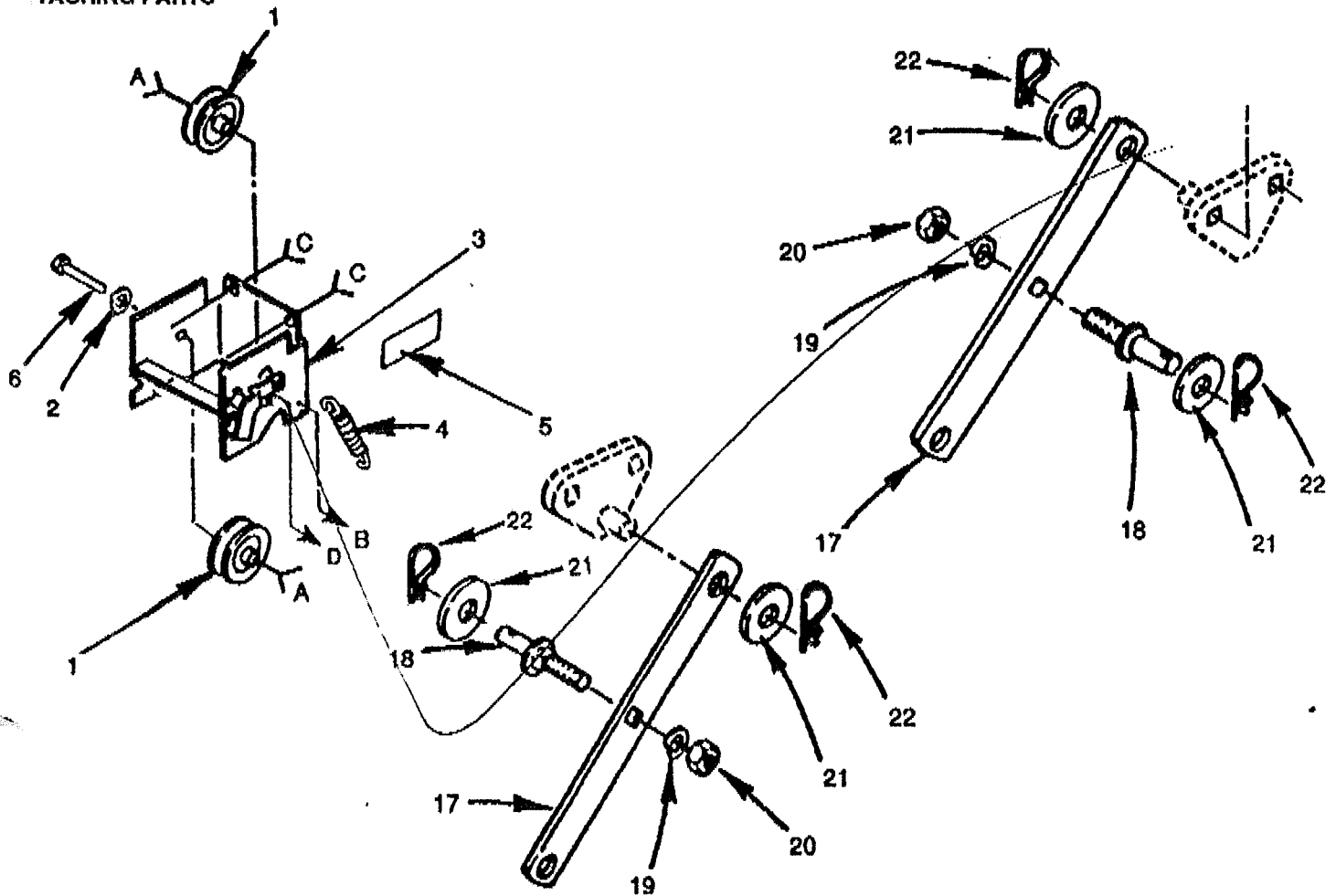


REPAIR PARTS

44 AND 50 INCH DECK -- MODEL NUMBERS TT440BR AND TT500BR

ATTACHING PARTS



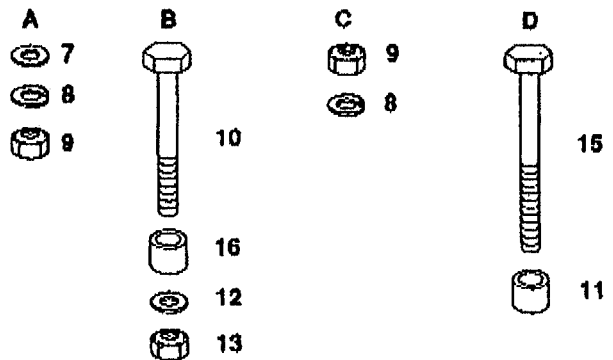
DROP BOX

| KEY PART NO. | DESCRIPTION |
|--------------|------------------------------|
| 1 | Pulley, Idler |
| 2 | Washer 13/32 x 2-3/8 x 8 Ga. |
| 3 | Bracket, Idler |
| 4 | Spring |
| 5 | Decal, Adjustment |
| 6 | * Bolt, Hex 3/8 - 16 x 2 |
| 7 | Washer 13/32 x 7/8 x 13 Ga. |
| 8 | Lock Washer 3/8 |
| 9 | * Nut, Hex 3/8 - 16 |
| 10 | * Bolt, Hex 5/16 - 18 x 1 |
| 11 | Bushing, Handle, Clutch |
| 12 | Washer 11/32 x 7/8 x 16 Ga. |
| 13 | Locknut 5/16 - 18 |
| 15 | Bolt, Hex 3/8 - 16 x 2-1/4 |
| 16 | Spacer |

SUSPENSION ARMS

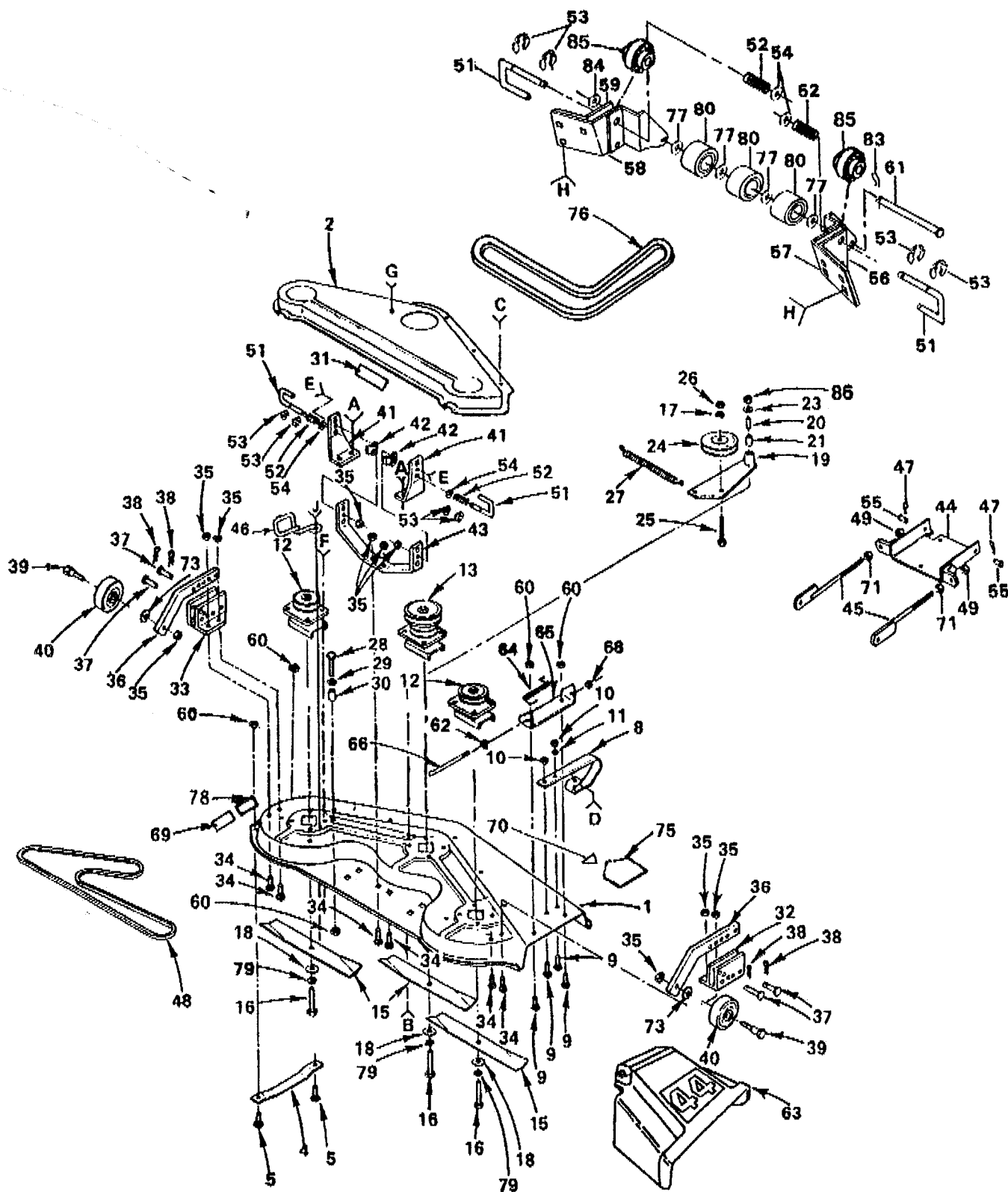
| KEY PART NO. | DESCRIPTION |
|--------------|----------------------------------|
| 17 | Arm, Suspension |
| 18 | Stud, Pivot Center |
| 19 | * Washer, Lock 1/2 |
| 20 | * Nut, Hex 1/2 - 13 |
| 21 | * Washer 17/32 x 1-1/16 x 13 Ga. |
| 22 | Retainer Spring |

*STANDARD HARDWARE--PURCHASE LOCALLY



REPAIR PARTS

44 AND 50 INCH DECK -- MODEL NUMBERS TT440BR AND TT500BR
44" MOWER



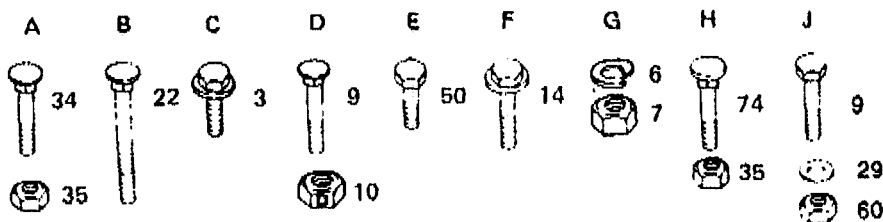
REPAIR PARTS

44 AND 50 INCH DECK -- MODEL NUMBERS TT440BR AND TT500BR

44" MOWER

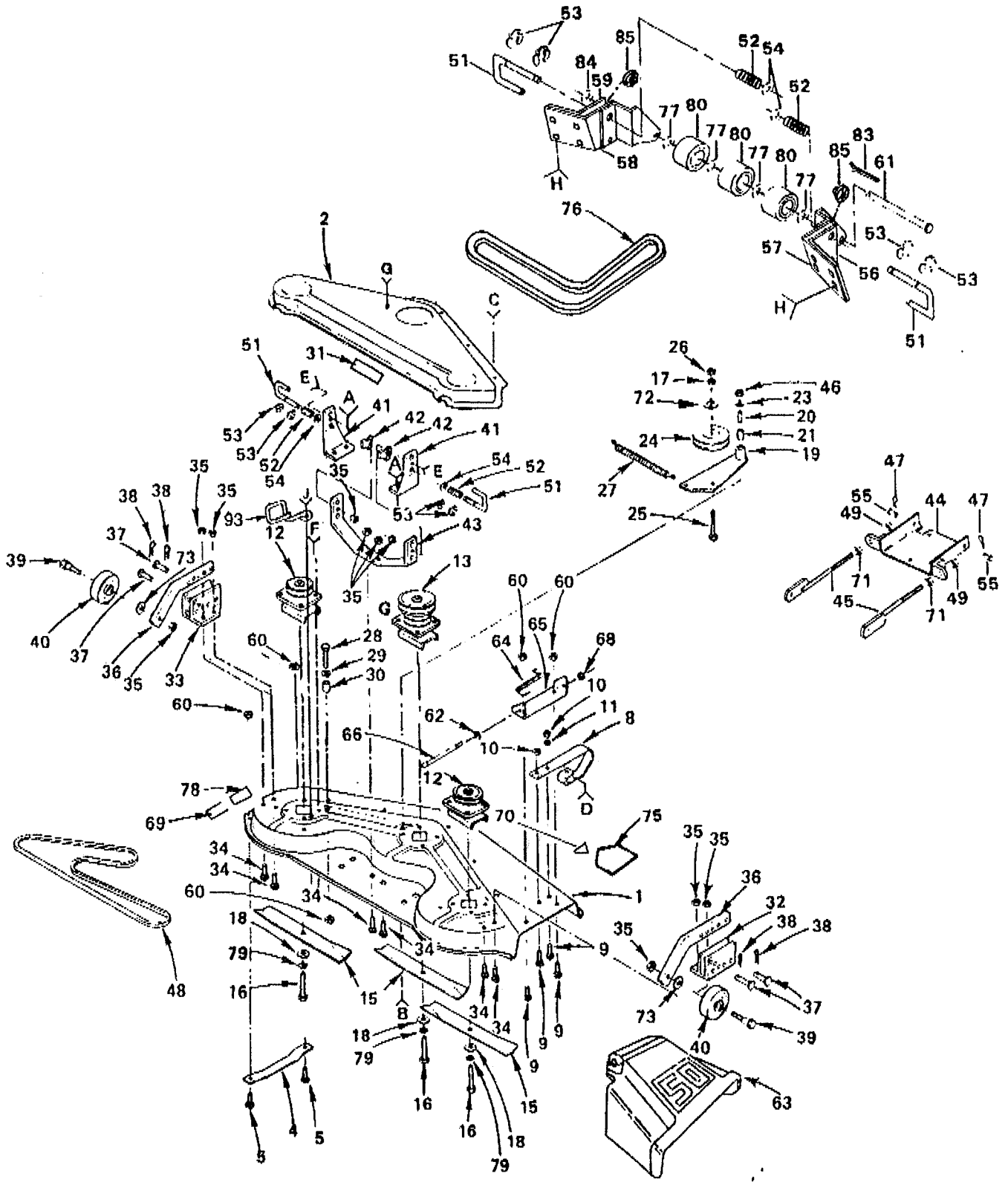
| KEY NO. | PART NO. | DESCRIPTION | KEY NO. | PART NO. | DESCRIPTION |
|---------|----------|--|---------|----------|--|
| 1 | 105415X | Housing, Mower | 42 | 110237X | Spacer |
| 2 | 106022X | Cover - Drive, Deck | 43 | 105434X | Brace, Suspension |
| 3 | 17490508 | Screw - Hex Washer Thd. Roll 5/16 - 18 x 1/2 | 44 | 109778X | Plate Assy., Mower Suspension |
| 4 | 7631J | Runner, L.H. | 45 | 109771X | Brkt., Suspension |
| 5 | 72110505 | Bolt, Carr. 5/16 - 18 x 5/8 | 46 | 121352X | Keeper LH. |
| 6 | 10040500 | * Washer - Lock, 5/16 | 47 | 3146R | Retainer - Spring |
| 7 | 73220500 | * Nut - Hex 5/16 - 18 | 48 | 106381X | V-Belt |
| 8 | 8418J | Runner, R.H. | 49 | 73680800 | * Nut, Crownlock 1/2 - 13 |
| 9 | 72140508 | Bolt, Carr. 5/16 - 18 x 3/4 | 50 | 74760622 | Bolt, Hex 3/8 - 16 x 1 - 3/8 |
| 10 | 1685H | Nut, Lock 5/16 - 18 | 51 | 105435X | Pin, Release |
| 11 | 19111116 | * Washer 11/32 x 11/16 x 16 Ga. | 52 | 3720R | Spring |
| 12 | 121658X | Mandrel - Secondary | 53 | 12000039 | Ring, Clip |
| 13 | 121657X | Mandrel - Primary | 54 | 19171612 | Washer 17/32 x 1 x 12 Ga. |
| 14 | 17490612 | Screw - Hex Washer Thd. Roll 3/8 - 16 x 3/4 | 55 | 105440X | Pin, Clevis |
| 15 | 106635X | Blade | 56 | 105458X | Brkt., Outer, R.H. |
| 16 | 74610624 | * Bolt - Hex, 3/8 - 24 x 1 - 1/2 Gr. 5 | 57 | 109773X | Brkt., Inner, R.H. |
| 17 | 10040600 | * Washer - Lock, 3/8 | 58 | 109775X | Brkt., Inner, L.H. |
| 18 | 19132012 | Washer 13/32 x 1 - 1/4 x 12 Ga. | 59 | 105459X | Brkt., Outer, L.H. |
| 19 | 674A213 | Arm Assembly, Idler | 60 | 73680500 | Locknut 5/16 - 18 |
| 20 | 7834J | Liner - Bearing | 61 | 109776X | Pin, Pivot |
| 21 | 7835J | Bearing | 62 | 19111016 | Washer 11/32 x 5/8 x 16 Ga. |
| 22 | 72110522 | Bolt, Carriage 5/16 - 18 x 2 - 3/4 | 63 | 109785X | Shield, Deflector |
| 23 | 19111816 | Washer 11/32 x 1 - 1/8 x 16 Ga. | 64 | 106734X | Spring, Deflector |
| 24 | 102403X | Pulley, Idler | 65 | 109743X | Bracket, Deflector |
| 25 | 74760624 | * Bolt - Hex 3/8 - 16 x 1 - 1/2 | 66 | 106735X | Rod, Hinge |
| 26 | 73220600 | * Nut - Hex 3/8 - 16 | 68 | 110452X | Push Nut |
| 27 | 104361X | Spring | 69 | 3713J | Decal - Instruction, Caution |
| 28 | 74780520 | * Bolt - Hex 5/16 - 18 x 1 - 1/4 Gr. 5 | 70 | --- | Decal - Safety Standard (Not serviced) |
| 29 | 19111216 | Washer 11/32 x 3/4 x 16 Ga. | 71 | 73220800 | Nut - Hex 1/2 - 13 |
| 30 | 8438J | Spacer Split | 73 | 19171512 | Washer 17/32 x 15/16 x 12 Ga. |
| 31 | 106224X | Decal - V-Belt, Dr. Schematic, Mower | 74 | 72240608 | Bolt, Carriage 3/8 - 16 x 1 |
| 32 | 105448X | Bracket, Ga. Wheel, R.H. | 75 | 121349X | Decal - Warning |
| 33 | 105449X | Bracket, Ga. Wheel, L.H. | 76 | 110884X | V-Belt |
| 34 | 72240606 | * Bolt, Carriage 3/8 - 16 x 3/4 | 77 | 19151610 | Washer 15/32 x 1 x 10 Ga. |
| 35 | 73680600 | Nut, Crownlock 3/8 - 16 | 78 | 105185X | Decal - Instruction - |
| 36 | 105453X | Bar, Ga. Wheel | 79 | 10030600 | * Washer - Lock 3/8 |
| 37 | 5565J | Pin, Clevis | 80 | 109729X | Roller, Nose |
| 38 | 4939M | Retainer, Spring | 83 | 76020412 | Pin Cotter 1/8 x 3/4 |
| 39 | 4898H | Bolt, Shoulder | 84 | 19151616 | Washer 15/30 x 1 x 16 Ga. |
| 40 | 105455X | Wheel, Gauge | 85 | 120135X | Spacer |
| 41 | 105433X | Brkt., Suspension | 86 | 73350500 | Nut, Hex Jam 5/16-18 UNC. |

*STANDARD HARDWARE--PURCHASE LOCALLY



REPAIR PARTS

~~44 AND 50 INCH DECK~~ -- MODEL NUMBERS TT440BR AND TT500BR
50" MOWER



REPAIR PARTS

~~44 AND~~ 50 INCH DECK -- MODEL NUMBERS TT440BR AND TT500BR

50" MOWER

| KEY NO. | PART NO. | DESCRIPTION | KEY NO. | PART NO. | DESCRIPTION |
|---------|----------|---|---------|----------|--|
| 1 | 121664X | Housing, Mower | 42 | 110237X | Spacer |
| 2 | 121811X | Cover - Drive, Deck | 43 | 105434X | Brace, Suspension |
| 3 | 17490508 | Screw - Hex Washer Thd. Roll 5/16 18 x 1/2 | 44 | 109778X | Plate Assy., Mower Suspension |
| 4 | 7831J | Runner, L.H. | 45 | 109771X | Brkt., Suspension |
| 5 | 72110505 | Bolt, Carr. 5/16 - 18 x 5/8 | 46 | 73350500 | Nut - Hex 5/16 - 18 |
| 6 | 10040500 | *Washer - Lock, 5/16 | 47 | 3146R | Retainer - Spring |
| 7 | 73220500 | *Nut - Hex 5/16 - 18 | 48 | 3703J | V-Belt |
| 8 | 120449X | Runner, R.H. | 49 | 73680800 | *Nut, Crownlock 1/2 - 13 |
| 9 | 72140508 | Bolt, Carr. 5/16 - 18 x 3/4 | 50 | 74760622 | Bolt, Hex 3/8 - 16 x 1 - 3/8 |
| 10 | 1685H | Nut, Lock 5/16 - 18 | 51 | 105435X | Pin, Release |
| 12 | 121658X | Mandrel - Secondary | 52 | 3720R | Spring |
| 13 | 121657X | Mandrel - Primary | 53 | 12000039 | Ring, Klip |
| 14 | 17490612 | Screw - Hex Washer Thd. Roll 3/8 16 x 3/4 | 54 | 19171612 | Washer 17/32 x 1 x 12 Ga. |
| 15 | 121798X | Blade | 55 | 105440X | Pin, Clevis |
| 16 | 74610624 | *Bolt - Hex, 3/8 - 24 x 1 - 1/2 Gr. 5 | 56 | 105458X | Brkt., Outer, R.H. |
| 17 | 10040600 | *Washer - Lock, 3/8 | 57 | 109773X | Brkt., Inner, R.H. |
| 18 | 19132012 | Washer 13/32 x 1 - 1/4 x 12 Ga. | 58 | 110897X | Brkt., Inner, L.H. |
| 19 | 674A213 | Arm Assembly, Idler | 59 | 120000X | Brkt., Outer, L.H. |
| 20 | 7834J | Liner - Bearing | 60 | 73680500 | Locknut 5/16 - 18 |
| 21 | 7835J | Bearing | 61 | 109776X | Pin, Pivot |
| 22 | 72110522 | Bolt, Carriage 5/16 - 18 x 2 - 3/4 | 62 | 19111016 | Washer 11/32 x 5/8 x 16 Ga. |
| 23 | 19111816 | Washer 11/32 x 1-1/8 x 16 Ga. | 63 | 110509X | Shield, Deflector |
| 24 | 102403X | Pulley, Idler | 64 | 106734X | Spring, Deflector |
| 25 | 74760624 | *Bolt - Hex 3/8 - 16 x 1 - 1/2 | 65 | 109743X | Bracket, Deflector |
| 26 | 73220600 | *Nut - Hex 3/8 - 16 | 66 | 106735X | Rod, Hinge |
| 27 | 104361X | Spring | 68 | 110452X | Push Nut |
| 28 | 74780520 | *Bolt - Hex 5/16 - 18 x 1 - 1/4 Gr. 5 | 69 | 3713J | Decal - Instruction, Caution |
| 29 | 19111216 | Washer 11/32 x 3/4 x 16 Ga. | 70 | --- | Decal - Safety Standard (Not serviced) |
| 30 | 8438J | Spacer Split | 71 | 73220800 | Nut - Hex 1/2 - 13 |
| 31 | 106224X | Decal - V-Belt, Dr. Schematic, Mower | 72 | 19131614 | Washer 13/32 x 1 x 14 Ga. |
| 32 | 105448X | Bracket, Ga. Wheel, R.H. | 73 | 19171512 | Washer 17/32 x 15/16 x 12 Ga. |
| 33 | 105449X | Bracket, Ga. Wheel, L.H. | 74 | 72240608 | Bolt, Carriage 3/8 - 16 x 1 |
| 34 | 72240606 | *Bolt, Carriage 3/8 - 16 x 3/4 | 75 | 121349X | Decal - Warning |
| 35 | 73680600 | Nut, Crownlock 3/8 - 16 | 76 | 110884X | V-Belt |
| 36 | 105453X | Bar, Ga. Wheel | 77 | 19151610 | Washer 15/32 x 1 x 10 Ga. |
| 37 | 5565J | Pin, Clevis | 78 | 105185X | Decal - Instruction |
| 38 | 4939M | Retainer, Spring | 79 | 10030600 | *Washer - Lock 3/8 |
| 39 | 4898H | Bolt, Shoulder | 80 | 109729X | Roller, Nose |
| 40 | 105455X | Wheel, Gauge | 83 | 76020412 | Spring - Retainer |
| 41 | 105433X | Brkt., Suspension | 84 | 19151616 | Washer 15/30 x 1 x 16 Ga. |
| | | | 85 | 120135X | Spacer |
| | | | 93 | 121352X | Keeper LH. |
| | | | -- | 124063X | Owner's Manual-English |
| | | | -- | 124064X | Owner's Manual-French |

*STANDARD HARDWARE--PURCHASE LOCALLY

