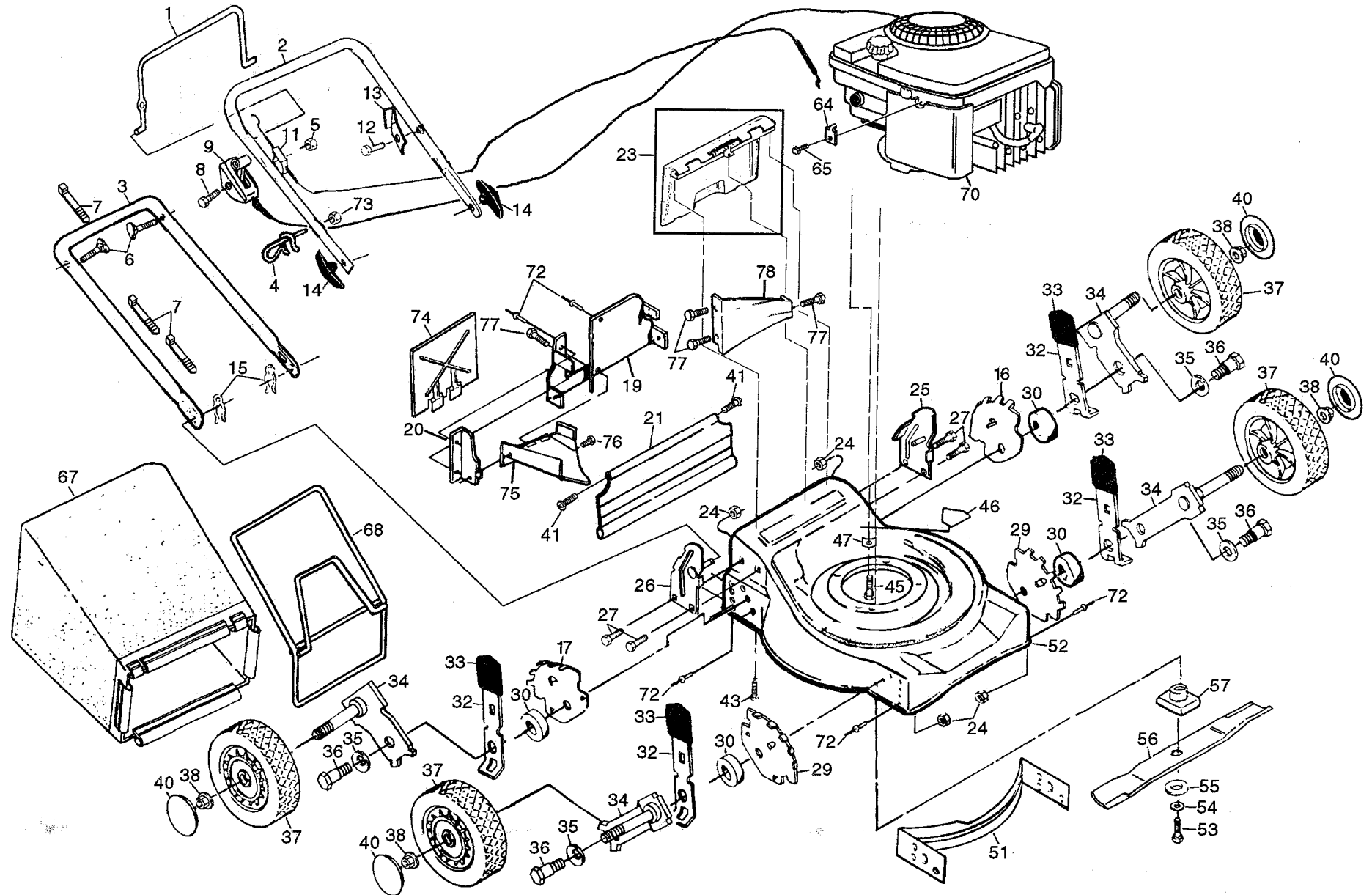


# REPAIR PARTS

## ROTARY MOWER MODEL NO. WE940RB



# REPAIR PARTS

## ROTARY MOWER MODEL NO. WE940RB

KEY NO.	PART NO.	DESCRIPTION	KEY NO.	PART NO.	DESCRIPTION
1	140643	Control Bar	38	83923	Flanged Locknut
2	131697X479	Upper Handle	40	77400	Hubcap
3	132813X479	Lower Handle	41	88652	Hinge Screw
4	132001	Rope Guide	43	54583	Hex Tapping Screw 1/4-20 x 1/2
5	63601	Locknut 1/4-20	45	850998	Hex Head Thread Rolling Screw 3/8-16 x 1
6	131959	Handle Bolt	46	141846	Danger Decal
7	66426	Wire Tie	47	851201X004	Engine Washer
8	144929	Hex Washer Head Screw 1/4-20 x 2-1/8	51	132255X479	Front Baffle
9	700417	Throttle Control	52	147742	Housing Assembly (Incl. Ref. #46)
11	130861	Engine Zone Control Cable	53	851084	Hex Head Screw 3/8-24 x 1-3/8 Grd. 8
12	750097	Hex Washer Head Screw #10-24 x 1/2	54	850263	Helical Lock Washer
13	850733X004	Up-Stop Bracket	55	851074	Hardened Washer
14	136376	Handle Knob	56	141114	22" Blade
15	51793	Hairpin Cotter	57	851514	Blade Adapter
16	700326X007	Wheel Adjusting Bracket L.R.	64	213146	* Cable Clamp
17	700327X007	Wheel Adjusting Bracket R.R.	65	83816	Screw #10 x 5/8
19	700360X479	Back Plate	67	149600	Grass Bag
20	700365X479	Side Baffle	68	149555	Catcher Frame
21	140540	Rear Skirt	70	-----	* Engine - Briggs & Stratton - Model No. 12E702
23	147612	Rear Door Assembly Kit	72	128415	Pop Rivet
24	751592	Locknut 3/8-16	73	73510400	Keys Locknut 1/4-20
25	700913X479	Handle Bracket Assembly (Left)	74	133170X479	Mulcher Plate
26	700915X479	Handle Bracket Assembly (Right)	75	133190X479	Discharge Baffle
27	55187	Screw 5/16-18 x 3/4	76	86344	Screw Hex Head Self Tapping #10-24 x .50
29	700325X007	Wheel Adjusting Bracket (Front)	77	54583	Screw Hex Tap W/Sems 1/4-20 x .50
30	84920	Spacer	78	133040X479	Rear Baffle
32	700331X004	Selector Spring	--	145655	Operator's Manual
33	87877	Selector Knob	--	149859	Replacement Parts Manual
34	145935X004	Axle Arm Assembly			
35	62335	Belleville Washer			
36	142748	Shoulder Bolt 3/8-16 x 1			
37	148444	Wheel Assembly			

Available accessories not included with lawn mower:

-- MA36 Clipping Deflector

\*These parts must be purchased through an authorized Briggs & Stratton dealer.