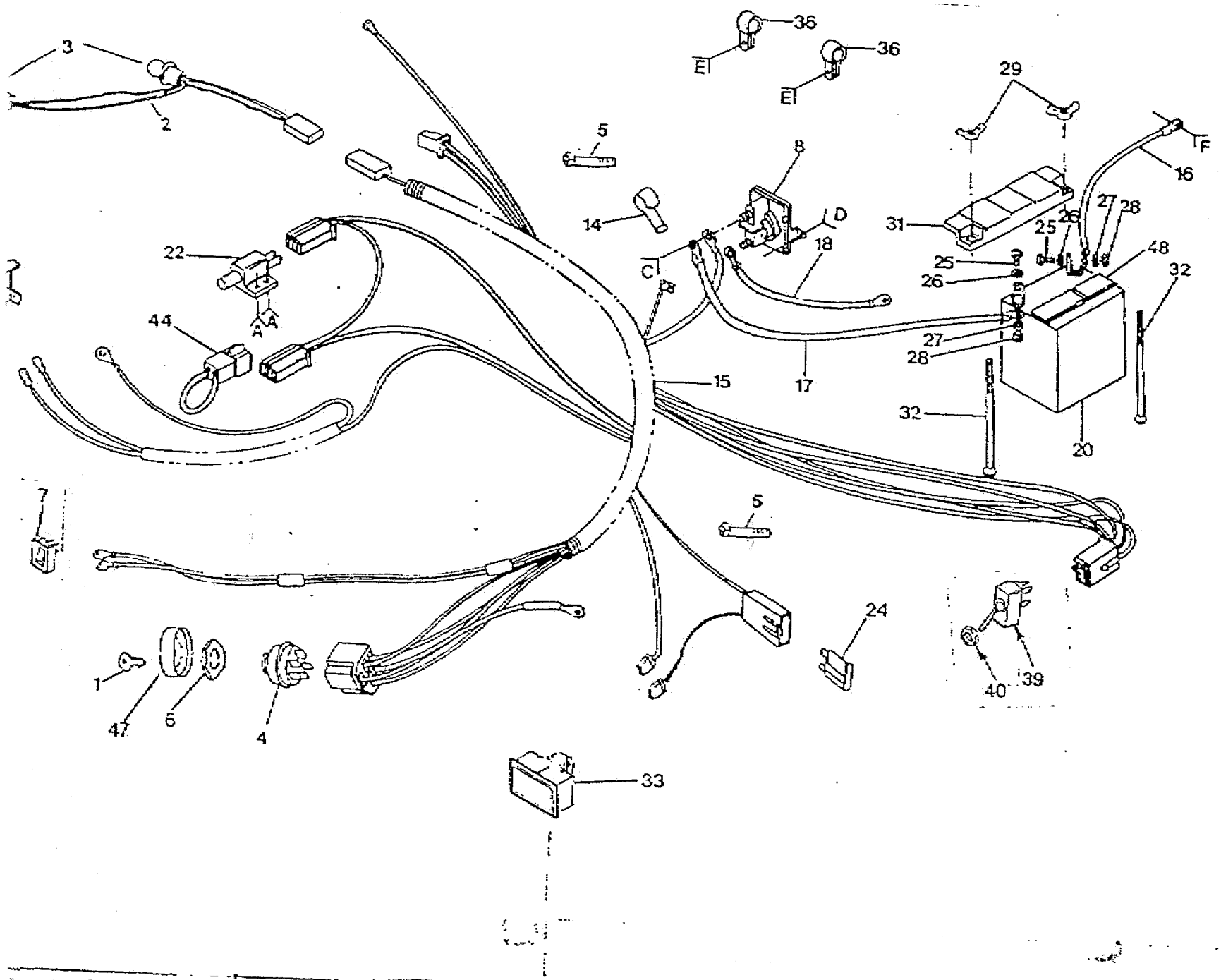


POULAN 14 HP YARD TRACTOR-- XEY1142AR



REPAIR PARTS

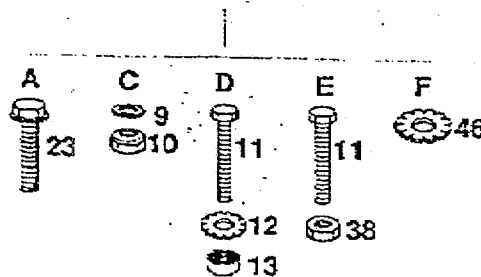
POULAN 14 HP YARD TRACTOR-- XEY1142AR

ELECTRICAL

KEY NO.	PART NO.	DESCRIPTION	KEY NO.	PART NO.	DESCRIPTION
1	532122147	Key Set	28	873220400	* Nut, Hex 1/4-20
2	532110859	Harness, Light Socket	29	532123198	* Nut, Wing 1/4-20
3	532004152	Bulb, Light	31	532102476	Guard, Terminal
4	532125104	Switch, Ignition	32	872240460	Bolt, Round Hd, Sq. Neck 1/4-20 x 7-1/2
5	532124756	Tie, Cable	33	532122822	Ammeter
6	532109788	Nut, Hex 5/8-32	36	532124995	Clip, Insulation
7	532110712	Switch, Light	38	873680400	Nut, Crownlock 1/4-20
8	532109081	Solenoid	39	532004021	Switch, P.T.O.
9	810090400	Washer, Lock 1/4	40	532004022	Nut, Hex
10	873350400	* Nut, Jam 1/4-20	44	532102501	Loop, Wire
11	874780408	* Bolt, Hex 1/4-20 x 1/2 Gr. 5	45	532121305	Switch, Plunger
12	811050400	Washer, Lock, Ext. Tooth 1/4	46	811050600	Washer, Lock, Ext. Tooth 3/8
13	873510400	Nut, Keps 1/4-20	47	532109787	Bezel, Ignition
14	532124783	Cover, Terminal	48	532121264	Caps, Battery
15	532124071	Harness, Ignition	---	532101539	Sheet, Instruction, Tractor 15° Slope, English
16	532124773	Cable, Battery	---	532124281	Manual, Owner's, English
17	532108423	Cable, Battery	---	532124282	Manual, Parts List XEY1142AR
18	532124770	Cable, Ground	---	532124279	Manual, Owner's, Kohler 14 HP Engine
20	532121537	Battery Pack			
22	532104445	Switch, Interlock			
23	817021008	Screw, Hex, Washer, Tap 10-24 x 1/2			
24	532108824	Fuse 30 Amp			
25	874760412	* Bolt, Hex 1/4-20 x 3/4			
26	819091016	* Washer 9/32 x 5/8 x 16 Ga.			
27	810040400	* Washer, Lock 1/4			

* STANDARD HARDWARE—PURCHASE LOCALLY

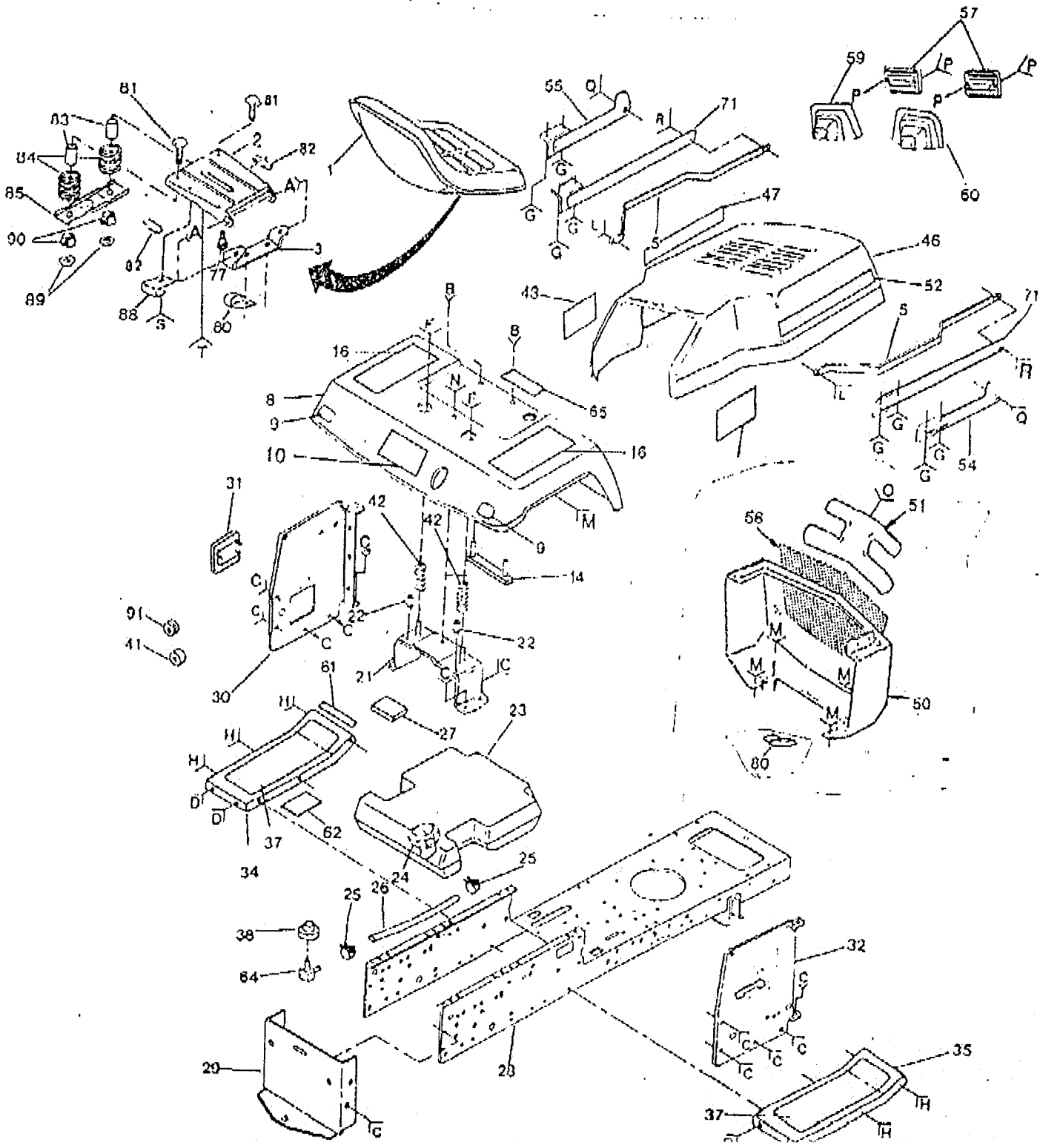
NOTE: All component dimensions given in U.S. inches.
1 inch = 25.4 mm



REPAIR PARTS

POULAN 14 HP YARD TRACTOR - - XEY1142AR

CHASSIS AND ENCLOSURE

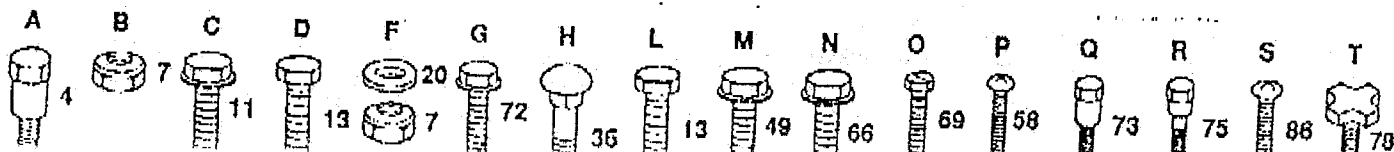


REPAIR PARTS

POULAN 14 HP YARD TRACTOR - XEY1142AR

CHASSIS AND ENCLOSURE

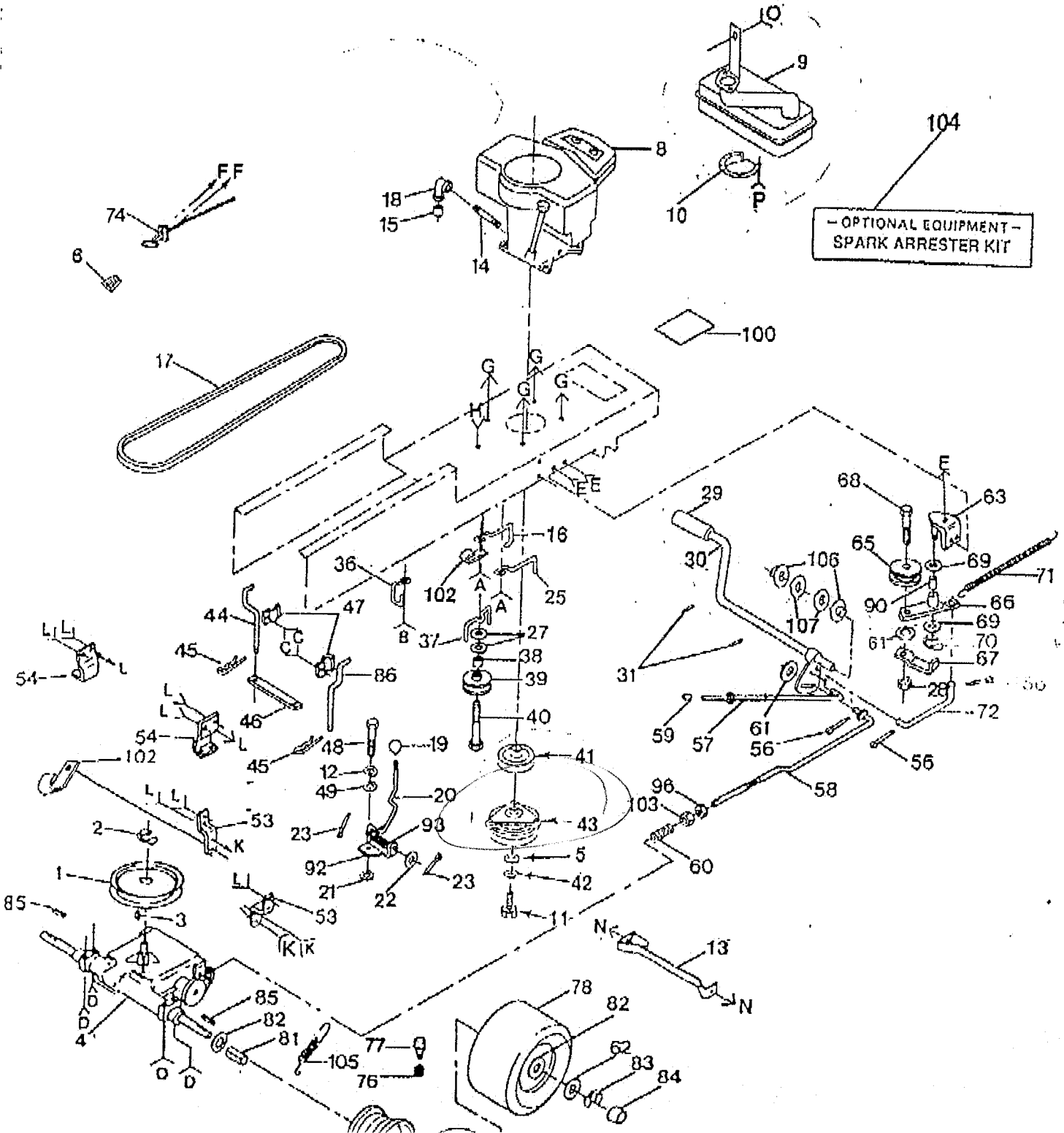
KEY NO.	PART NO.	DESCRIPTION	KEY NO.	PART NO.	DESCRIPTION
1	532121442	Seat	49	817490608	Screw, Hex, Washer, Thread Roll. 3/8-16 x 1/2
2	532121247	Pan, Seat	50	532124920	Grill
3	532105513	Bracket, Pivot, Seat	51	532124227	Insert, Grill
4	532105529	Bolt, Shoulder 5/16-18	52	532125715	Decal, Hood, R.H.
5	532122196	Brace, Grill	54	532125095	Strap Assembly, Hinge, R.H.
6	873680500	Locknut 5/16-18	55	532124918	Strap Assembly, Hinge, L.H.
7	873680600	Locknut 3/8-16A	56	532101234	Screen, Grill
8	532124977	Fender	57	532109671	Lens
9	532106202	Reflector, Rear	58	817990808	Screw, Cross, Pan Head 8-18 x 1/2
10	532125710	Decal, Poulan	59	532124910	Bezel, L.H.
11	817490612	Screw, Hex, Washer, Thread Roll 3/8-16 x 3/4	60	532125069	Bezel, R.H.
12	819131312	Washer 13/32 x 13/16 x 12 Ga.	61	532004900	Decal, Clutch/Brake
13	874760612	* Bolt, Hex 3/8-16 x 3/4	62	532109199	Decal, Drive Belt
14	532105511	Strap, Fender	64	532008710	Stem, Fuel Tank
15	819171912	Washer 17/32 x 1-3/16 x 12 Ga.	65	532106974	Decal, Caution
16	532124226	Decal, 6-Speed	66	817490616	Screw, Hex, Washer, Thread Roll. 3/8-16 x 1
20	819131614	Washer 13/32 x 1 x 14 Ga.	69	817511208	Screw, Hex, Slotted No. 12 x 1/2
21	532105509	Bracket, Fender	70	532008019	Washer 7/32 x 5/8 x 16 Ga.
22	532105531	Nut, Push	71	532124921	Strap Assembly, Hinge, Rear
23	532106020	Tank, Fuel	72	817411310	Screw, Hex, Washer Head 13-16 Hi-L.o x 5/8
24	532123549	Cap, Fuel	73	532124815	Bolt, Shoulder 1/4-20
25	532123487	Clamp, Hose	75	532124549	Bolt, Shoulder
26	532005277	Line, Fuel	77	532121144	Bolt, Shoulder
27	532106082	Pad, Spacer	78	532120068	* Knob, Seat 1/2
28	532121277	Chassis Assembly	79	810040800	* Washer, Lock 1/2
29	532121306	Drawbar	80	532124996	Clip, Fuel Line
30	532124118	Panel, Dash, L.H.	81	872170410	Bolt, Carriage 1/4-20 x 1-1/4
31	532121794	Cover, Access	82	532121251	Foam, Strips
32	532110828	Panel, Dash, R.H.	83	532121249	Spacer
34	532125041	Footrest, L.H.	84	532121250	Spring, Compression
35	532125037	Footrest, R.H.	85	532121246	Bracket, Switch
36	872140606	Bolt, Carriage 3/8-16 x 3/4	86	874641008	Screw, Slotted, Pan Hd. 10-32 x 1/2
37	532108256	Pad, Footrest	87	873951000	Nut, Keps 10-32
38	532003845	Bushing	88	532004171	Clip, Insulated
39	819131416	* Washer 13/32 x 7/8 x 16 Ga.	89	532123976	Locknut, Flanged
40	532124274	Decal, 14 HP, R.H.	90	532121248	Bushing, Snap
41	532009151	Grommet	91	532110436	Grommet, Split
42	532124181	Spring, Seat, Compression	* STANDARD HARDWARE—PURCHASE LOCALLY		
43	532124273	Decal, 14 HP, L.H.	NOTE: All component dimensions given in U.S. inches. 1 inch = 25.4 mm		
44	819090816	Washer 9/32 x 1/2 x 16 Ga.			
46	532124909	Hood			
47	532125714	Decal, Hood, L.H.			
48	873680400	Nut, Crownlock 1/4-20			



REPAIR PARTS

POULAN 14 HP YARD TRACTOR-- XEY1142AR

DRIVE



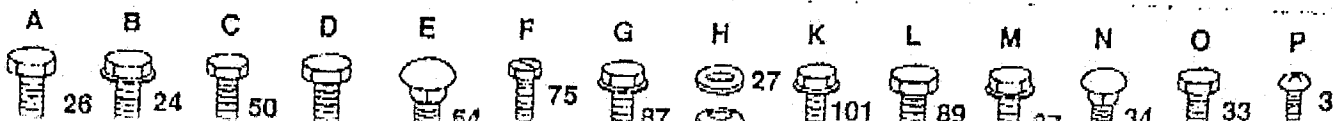
REPAIR PARTS

POULAN 14 HP YARD TRACTOR - XEY1142AR

DRIVE

KEY PART NO.	NO.	DESCRIPTION	KEY PART NO.	NO.	DESCRIPTION
1	532123666	Pulley, Transaxle (Driven)	53	532121520	Strap, Torque
2	812000028	Ring, Retainer	54	532109167	Bracket, Transaxle
3	817030808	Screw, Lock, Spdler #8 x 1/2	56	876020412	Pin, Cotter 1/8 x 3/4
4	532124162	Transaxle, 6-Speed, Foote Dana, Model No. 4360-19 (See pages 13-14 for parts breakdown)	57	532105844	Rod, Brake, Park
5	532108252	Washer 15/32 x 1-3/8 x 1/4	58	532110437	Rod, Brake
6	532061159	Knob, Throttle Control	59	532071673	Cap
7	819111214	Washer 11/32 x 3/4 x 14 Ga.	60	532106888	Spring, Rod, Brake
8	532124080	Engine, Kohler Command 14 HP	61	819131316	Washer 13/32 x 13/16 x 16 Ga.
9	532124196	Muffler	62	532121748	Washer 25/32 x 1-5/8 x 16 Ga.
10	532101326	Deflector, Muffler	63	532123102	Bracket, Clutch
11	532125005	Bolt, Hex M10 x 1.5 x 100mm	64	872140606	Bolt, Carriage 3/8-16 x 3/4
12	810040400	Washer, Lock 1/4	65	532123766	Pulley, Idler
13	532109169	Retainer, Clutch	66	532123789	Arm, Idler
14	813280320	Nipple, Pipe 3/8 NPT x 2-1/2	67	532123205	Retainer, Belt
15	813300300	Coupling, Pipe, STD 3/8-18 NPT	68	874760824	Bolt, Hex 3/8-16 x 1-1/2
17	532120302	V-Bolt, Drive	69	532110812	Washer, Hardened
18	813200300	Elbow, STD 90°	70	812000039	Ring, Klip
19	532121274	Knob	71	532105709	Spring, Return, Clutch
20	532124461	Rod, Shifter	72	532105710	Link, Clutch
21	532105701	Washer, Shift Plate	74	532121275	Control, Throttle
22	819151218	Washer 15/32 x 3/4 x 16 Ga.	75	817720410	Screw, Hex, Thread Cutting 1/4-20 x 5/8
23	876020416	Pin, Cotter 1/8 x 1	76	532059192	Cap, Valve
24	817490612	Screw, Hex, Washer, Thread Roll. 3/8-18 x 3/4	77	532085139	Stem, Valve
25	532105730	Keeper, Bolt, Engine	78	532106268	Tire, Rear
26	874760616	Bolt, Hex 3/8-16 x 1	79	532007152	Tube (Not furnished with Tractor)
27	819131312	Washer 13/32 x 13/16 x 12 Ga.	80	532124789	Rim
28	873680800	Locknut 3/8-16	81	532109502	Spacer, Split
29	532124872	Cover, Pedal	82	532121749	Washer 25/32 x 1-1/4 x 16 Ga.
30	532122424	Shaft, Foot Pedal	83	812000001	E-Ring
31	532001572	Pin, Roll 3/16 x 1	84	532104757	Cap, Hub, Rear
32	810040500	Washer, Lock 5/16	85	532123583	Key, Square
33	874760508	Bolt, Hex 5/16-18 x 12	86	532123663	Keeper, Belt, R.H.
34	872140506	Bolt, Carriage 5/16-18 x 3/4	87	532125006	Screw M8 x 1.25 x 25mm
35	873680500	Locknut 5/16-18	89	874760812	Bolt, Hex 3/8-16 x 3/4
36	532104777	Retainer, Belt	90	532105708	Bearing
37	532109070	Keeper, Belt	92	532106919	Plate Assembly, Shifter
38	532004470	Spacer	93	532105700	Spring, Torsion
39	532123674	Idler, Flat	98	873350600	Nut, Hex, Jam 3/8-16
40	874760644	Bolt, Hex 3/8-16 x 2-3/4	98	819132012	Washer 13/32 x 1-1/4 x 12 Ga.
41	532109841	Pulley, Engine	100	532121120	Decal
42	810040700	Washer, Lock 7/16	101	817490512	Screw, Hex, Washer, Thread Roll. 5/16-18 x 3/4
43	532108218	Clutch, Electric	102	532124996	Clip, Fuel Line
44	532123662	Keeper, Bolt, L.H.	103	873800600	Locknut 3/8-16
45	532004921	Retainer, Spring	104	532100091	Spark Arrestor Kit
46	532123770	Strap, Locator	105	532110422	Spring, Brake, Return
47	532108190	Clamp	108	532120183	Bearing, Nylon
48	871040412	Bolt, Hex 1/4-28 x 3/4	107	819211616	Washer 21/32 x 1 x 16 Ga.
49	819091210	Washer 9/32 x 3/4 x 10 Ga.			
50	874760512	Bolt, Hex 5/16-18 x 3/4			
51	873680500	Locknut 5/16-18			

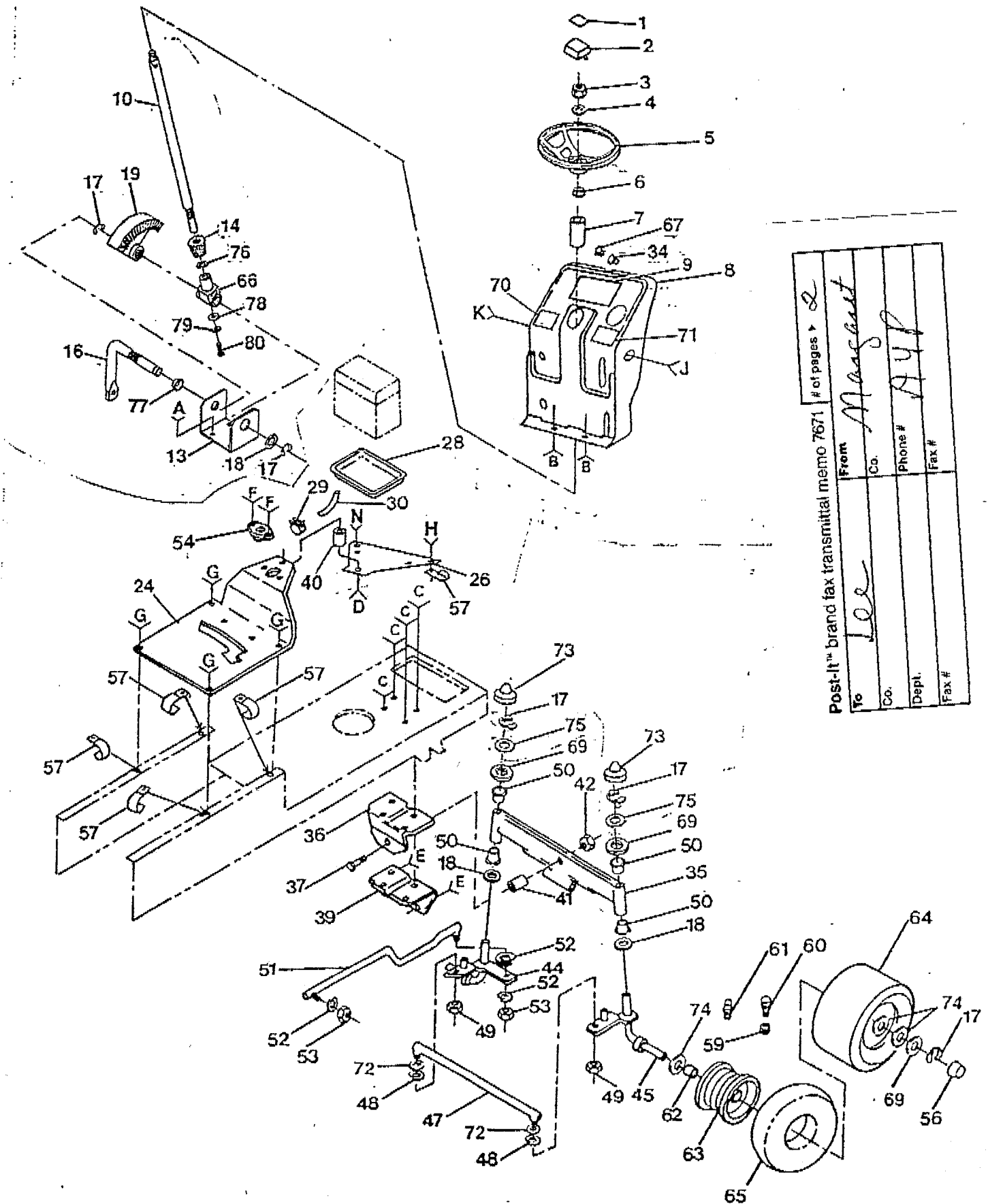
* STANDARD HARDWARE--PURCHASE LOCALLY
 NOTE: All component dimensions given in U.S. inches.
 1 inch = 25.4 mm



REPAIR PARTS

POULAN 14 HP YARD TRACTOR - - XEY1142AR

STEERING ASSEMBLY



Post-It™ brand fax transmittal memo 7671 # of pages 2

From	Margaret
Co.	
Phone #	AYL
Fax #	
To	Joe
Co.	
Dept.	
Fax #	

REPAIR PARTS

POULAN 14 HP YARD TRACTOR- - XEY1142AR

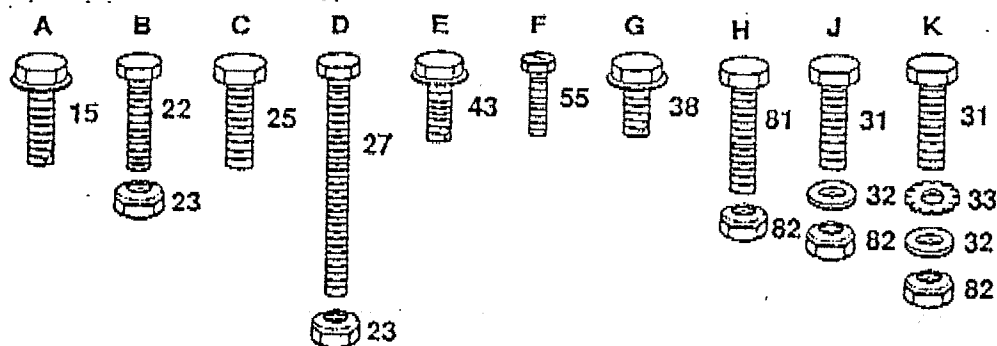
STEERING ASSEMBLY

KEY PART NO.	NO.	DESCRIPTION
1	532109325	Decal, Cap, Steering Wheel
2	532100710	Insert, Steering Wheel
3	873940800	* Nut, Hex 1/2-20
4	532100712	Washer
5	532100713	Wheel, Steering
6	532100711	Adapter, Steering Wheel
7	532100714	Sleeve, Steering
8	532122341	Dash
9	532123175	Decal, Dash
10	532124041	Shaft, Steering
13	532124036	Bracket, Steering
14	532124037	Gear, Pinion
15	817490612	Screw, Hex, Washer, Thread Roll. 3/8-16 x 3/4
16	532124033	Shaft, Pitman
17	812000029	Ring, Klip
18	532124931	Bearing, Thrust
19	532124034	Gear, Sector
22	874180512	Screw, Crown, Truss Head 5/16-18 x 3/4
23	873510500	Locknut 5/16-18
24	532124925	Saddle
25	532122819	Screw, Special 3/8-16 x 3/4
26	532106965	Plate, Support, Battery
27	874760532	* Bolt, Hex 5/16-18 x 2
28	532124886	Tray, Battery
29	532109596	Clamp, Hose
30	532100541	Tube
31	874760612	Bolt, Hex 3/8-16 x 3/4
32	819131316	* Washer 13/32 x 13/16 x 16 Ga.
33	811050600	Washer, Lock, Ext. Tooth 3/8
34	532008022	Plug, Dash
35	532108075	Axle, Front
36	532105663	Support, Saddle, Rear
37	874761060	Bolt, Hex 5/8-11 x 3-3/4
38	817490608	Screw, Hex, Washer, Thread Roll. 3/8-16 x 1/2
39	532105664	Support, Saddle, Front
40	532121236	Spacer
41	532110438	Spacer, Bearing, Axle, Front
42	873901000	Locknut, Flange 5/8-11
43	817490508	Screw, Hex, Washer, Thread Roll. 5/16-18 x 1/2

KEY PART NO.	NO.	DESCRIPTION
44	532105656	Spindle, L.H.
45	532105654	Spindle, R.H.
47	532121334	Rod, Tie
48	810040500	* Washer, Lock 5/16
49	873810500	* Nut, Hex 5/16-24
50	532003366	Bearing
51	532124032	Link, Drag
52	810040600	* Washer, Lock 3/8
53	873610600	* Nut, Hex 3/8-24
54	532001554	Bushing, Steering
55	817431008	Screw, Hex #10-16 x 1/2
56	532104757	Cap, Hub, Front
57	532124996	Clip, Fuel Line
59	532059192	Cap, Valve
60	532065139	Stem, Valve
61	532000278	Fitting, Grease
62	532009040	Bearing
63	532125021	Rim, Front 6"
64	532106222	Tire, Front
65	532059904	Tube (Not furnished with Tractor)
66	532124035	Support, Steering
67	532005479	Plug, Button
69	532121748	Washer 25/32 x 1-5/8 x 16 Ga.
70	532125772	Decal, Clutch
71	532125771	Decal, Lift
72	819111216	Washer 11/32 x 3/4 x 16 Ga.
73	532121232	Cap, Spindle
74	532121749	Washer 25/32 x 1-1/4 x 16 Ga.
75	819272016	Washer 27/32 x 1-1/4 x 16 Ga.
76	532057079	Washer
77	532109816	Nyliner, Snap-in
78	819091116	Washer 9/32 x 1-1/16 x 16 Ga.
79	810040400	Washer, Lock 1/4
80	871070410	Screw, Hex, Socket 1/4-20 x 5/8
81	874760616	Bolt, Hex 3/8-16 x 1
82	873510600	Nut, Hex 3/8-16

* STANDARD HARDWARE--PURCHASE LOCALLY

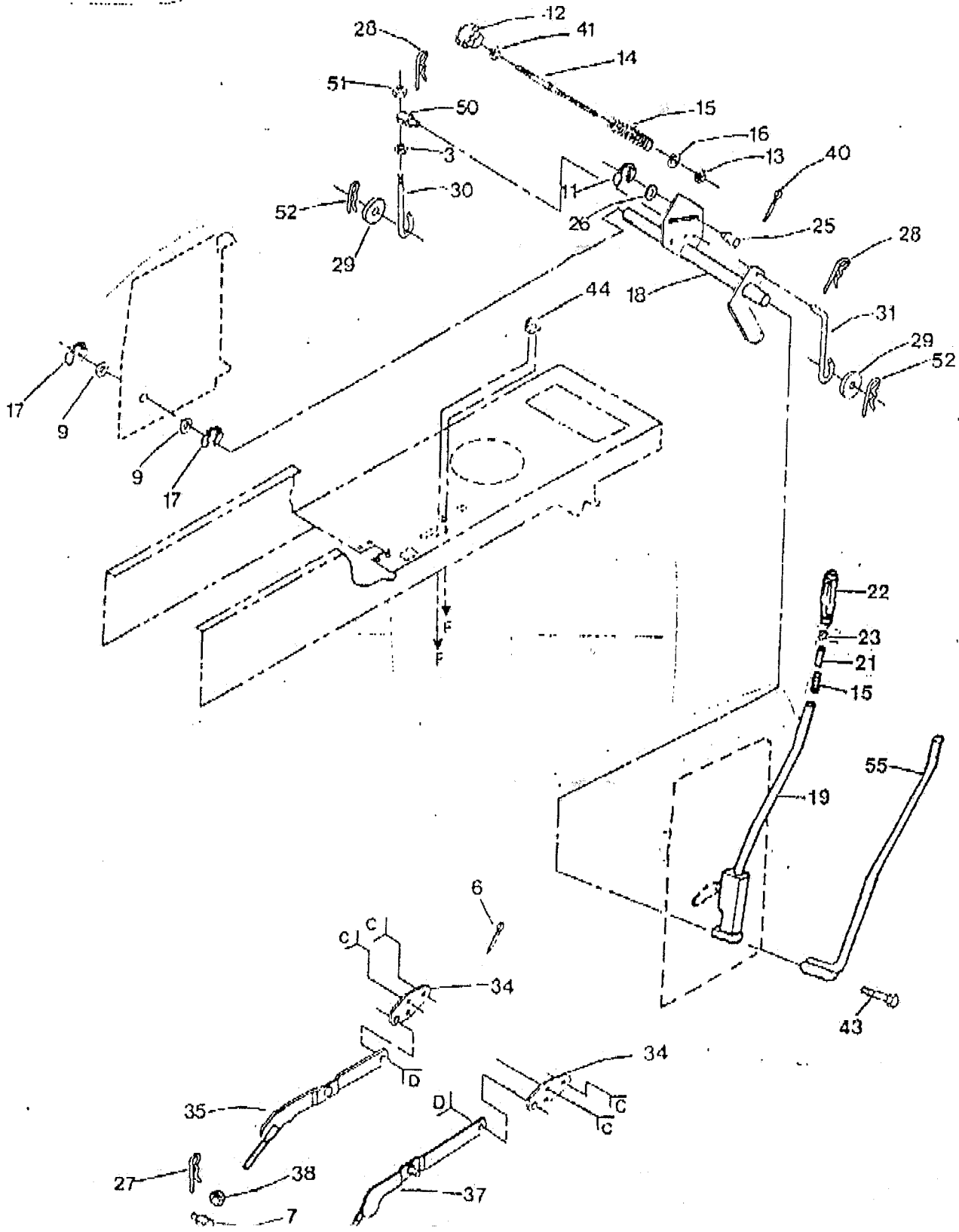
NOTE: All component dimensions given in U.S. inches.
1 inch = 25.4 mm



REPAIR PARTS

POULAN 14 HP YARD TRACTOR - - XEY1142AR

LIFT ADJUSTMENT



REPAIR PARTS

POULAN 14 HP YARD TRACTOR - - XEY1142AR

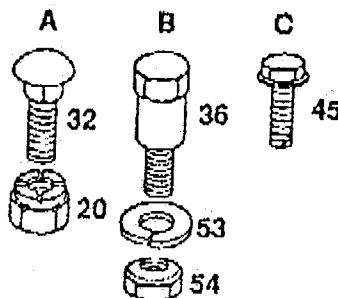
LIFT ADJUSTMENT

KEY PART NO.	NO.	DESCRIPTION
1	873710700	Locknut, Jam 7/16-20
7	532106308	Trunnion, Lift, Lower
9	819292016	Washer 29/32 x 1-1/4 x 16 Ga.
10	532106444	Bracket, Bellcrank
11	812000037	Ring, Klip
12	532121891	Handle, Adjust, Lift
13	532110807	Nut, Special
14	532110729	Rod, Adjust, Lift
15	532124874	Spring
16	819131016	Washer 13/32 x 5/8 x 16 Ga.
17	812000022	E-Ring
18	532121000	Shaft, Lift
19	532121002	Lever, Lift (Includes Key No. 55.)
20	873680600	Nut, Crownlock 3/8-16
21	532122364	Plunger, Lever
22	532109413	Grip, Handle
23	532124526	Button, Plunger
25	532110810	Trunnion, Stop Depth
26	819151216	Washer 15/32 x 3/4 x 16 Ga.
27	532009135	Retainer, Spring
28	532124670	Retainer, Spring
29	819171516	Washer 17/32 x 15/16 x 16 Ga.
30	532110448	Link, Lift, Adjust

KEY PART NO.	NO.	DESCRIPTION
31	532110029	Link, Lift
32	872140606	* Bolt, Carriage 3/8-16 x 3/4
34	532105864	Bracket, Suspension
35	532121599	Arm, Suspension, L.H.
37	532121598	Arm, Suspension, R.H.
38	873220800	Nut, Hex, Fin 1/2-13
40	876020308	Pin, Cotter 3/32 x 1/2
41	873350600	Nut, Hex, Jam 3/8-16 UNC
43	874780624	Bolt, Hex 3/8-16 x 1-1/2
44	532108236	Bracket, Switch
45	817021008	Screw, Hex, Tap #10-24 x 1/2
50	532110447	Trunnion, Lift
51	873360700	Nut, Crownlock, Jam 7/16-18
52	532004921	Spring, Retainer
53	532110739	Washer, Spring
54	873980600	Locknut, Flange
55	532121006	Rod, Assembly, Lift Lever

* STANDARD HARDWARE—PURCHASE LOCALLY

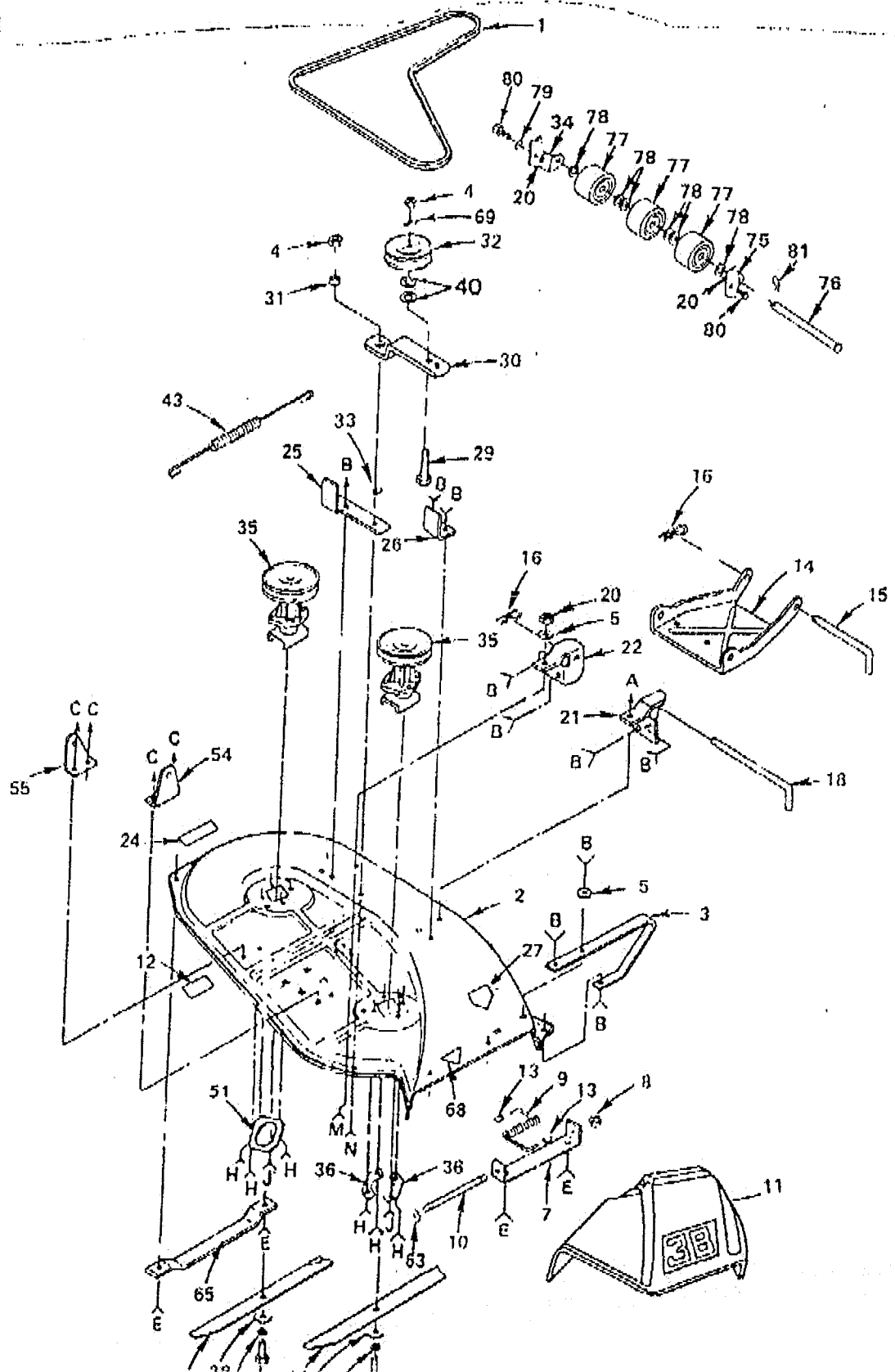
NOTE: All component dimensions given in U.S. inches.
1 inch = 25.4 mm



REPAIR PARTS

POULAN 14 HP YARD TRACTOR - - XEY1142AR

38" MOWER



REPAIR PARTS

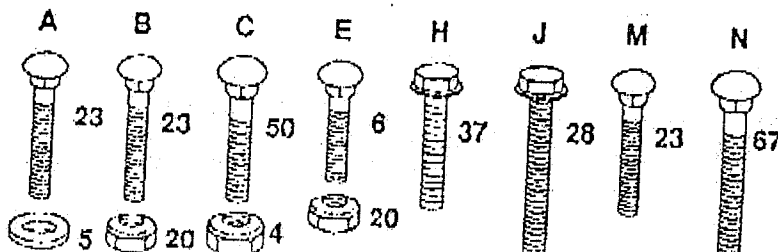
POULAN 14 HP YARD TRACTOR- - XEY1142AR

38" MOWER

KEY PART NO.	NO.	DESCRIPTION	KEY PART NO.	NO.	DESCRIPTION
1	532106085	V-Belt	33	532106513	Washer, Wear 1/16
2	532121458	Housing	34	532109646	Bracket, Nose Roller, L.H.
3	532008417	Runner, R.H.	35	532121687	Mandrel Assembly
4	873680600	Locknut 3/8-16	36	532100668	Plate, Support, Mandrel
5	819111216	Washer 11/32 x 3/4 x 16 Ga.	37	817490614	Screw, Hex, Washer Hd. 3/8-16 x 7/8
6	872140505	Bolt, Carriage 5/16-18 x 5/8	38	819132012	Washer 13/32 x 1-1/4 x 12 Ga.
7	532105896	Bracket, Deflector	39	532121263	Blade 38"
8	532110452	Nut, Push	40	819131210	Washer 13/32 x 1-3/4 x 10 Ga.
9	532106734	Spring, Deflector	41	810030600	Washer, Lock 3/8
10	532106735	Rod, Hinge	42	874610624	* Bolt, Hex 3/8-24 x 1-1/2 Gr. 5
11	532106736	Deflector, Shield	43	532102727	Spring, Extension
12	532108682	Decal, V-Belt Schematic	50	872140606	* Bolt, Carriage 3/8-16 x 3/4
13	532105304	Cap, Sleeve	51	532110445	Plate, Support
14	532105662	Link, Parallel	54	532105857	Bracket, Suspension, Rear, R.H.
15	532105744	Pin, Hinge, Front	55	532108673	Bracket, Suspension, Rear, L.H.
16	532004921	Spring, Retainer	63	819111016	Washer 11/32 x 5/8 x 16 Ga.
18	532109835	Pin, Hinge, Rear	65	532125074	Runner, L.H.
20	873680500	Locknut 5/16-18	67	872140610	Bolt, Carriage 3/8-16 x 1-1/4
21	532109598	Bracket, Lift, R.H.	68	532121343	Decal, Warning
22	532109597	Bracket, Lift, L.H.	69	819131316	Washer 13/32 x 13/16 x 16 Ga.
23	872140506	* Bolt, Carriage 5/16-18 x 3/4	75	532109647	Bracket, Nose Roller, R.H.
24	532003713	Decal, Instruction, Caution	76	532109776	Pin, Pivot
25	532109503	Support, Arm	77	532109729	Roller, Nose
26	532109504	Stop, Deck, Front	78	819151610	Washer 15/32 x 1 x 10 Ga.
27	-----	Decal, Safety Standard	79	819151616	Washer 15/32 x 1 x 16 Ga.
28	817490620	Screw, Hex, Washer Hd. 3/8-16 x 1-1/4	80	874760512	Bolt, Hex 5/16-18 x 3/4
29	874760636	* Bolt 3/8-16 x 2	81	876020412	Pin, Colter 1/8 x 3/4
30	532123552	Arm, Idler			
31	532106902	Spacer			
32	532121316	Pulley, Idler			

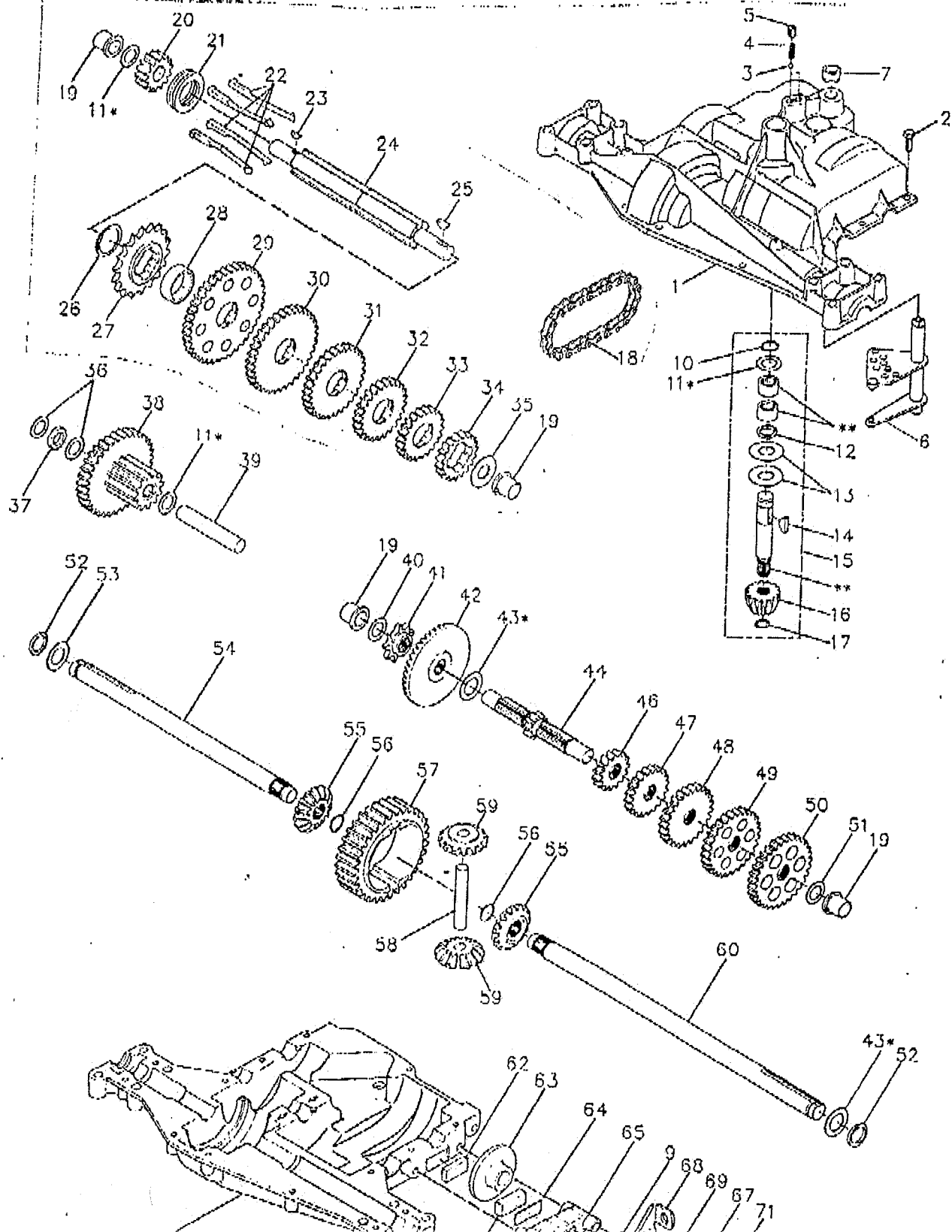
* STANDARD HARDWARE—PURCHASE LOCALLY

NOTE: All component dimensions given in U.S. inches.
1 inch = 25.4 mm



REPAIR PARTS

POULAN 14 HP YARD TRACTOR - - XEY1142AR
TRANSAXLE - FOOTE DANA, MODEL NO. 4360-19



REPAIR PARTS

POULAN 14 HP YARD TRACTOR - - KEY1142AR TRANSAXLE - FOOTE DANA, MODEL NO. 4360-19

KEY NO.	PART NO.	DESCRIPTION	KEY NO.	PART NO.	DESCRIPTION
1	3865-A	Housing, Upper	38	4193	Assy., Gear, Comb., 12 T & 35 T
2	1919	Screw, Tapping 1/4 - 20 x .734 Lg.	39	3967	Shaft, Idler
3	1151	Ball, Detent	40	1708	Washer, Plain .631 x 1.00 x .015
4	3626	Spring, Detent	41	3645	Sprocket, 9 T
5	3623	Screw, Set	42	3589	Gear, Bevel, 42 T
6	4458	Assembly, Shifter	43	3749	* Washer, Plain .758 x 1.12 x .010
7	3789	V-Ring	43	3652	* Washer, Plain .758 x 1.12 x .015
8	3907	Puck, Friction	43	3693	* Washer, Plain .758 x 1.12 x .020
9	3906	Washer, Plain .325 x .750 x .059	43	3653	* Washer, Plain .758 x 1.12 x .025
10	1099	Ring, Retaining	43	3408	* Washer, Plain .758 x 1.25 x .020
11	1959	* Washer, Plain .632 x 1.00 x .010	43	3732	* Washer, Plain .758 x 1.25 x .025
11	1441	* Washer, Plain .632 x 1.00 x .020	43	3184	* Washer, Plain .758 x 1.25 x .031
11	1423	* Washer, Plain .632 x 1.00 x .026	43	3733	* Washer, Plain .758 x 1.25 x .035
11	1082	* Washer, Plain .632 x 1.00 x .031	43	3198	* Washer, Plain .758 x 1.25 x .040
11	1424	* Washer, Plain .632 x 1.00 x .036	43	3734	* Washer, Plain .758 x 1.25 x .045
11	1068	* Washer, Plain .632 x 1.00 x .041	43	3735	* Washer, Plain .758 x 1.25 x .050
11	1425	* Washer, Plain .632 x 1.00 x .046	44	3973	Shaft, Drive
11	1358	* Washer, Plain .632 x 1.00 x .050	45	3724	Screw, Tapping 5/16 x 18 x 1.44 Lg.
11	1145	* Washer, Plain .632 x 1.00 x .060	46	3707	Gear, Spur, 15 T
11	1319	* Washer, Plain .632 x 1.00 x .082	47	3866	Gear, Spur, 20 T
11	3312	O-Ring	48	3719	Gear, Spur, 25 T
13	3876	Washer, Plain .632 x 1.38 x .046	49	3868	Gear, Spur, 28 T
14	1374	Key, Woodruff # 9	50	3683	Gear, Spur, 31 T
15	4171	Assembly, Kit, Input Shaft	51	1145	Washer, Plain .632 x 1.00 x .060
16	3725	Pinion, Bevel, 14 T	52	3191	Seal, Felt
17	3624	Ring, Retaining	53	3180	Washer, Plain .758 x 1.25 x .062
18	3625	Chain, 24 Pitches	54	3880	Axle, L.H.
19	1542	Bearing, Flange	55	3871	Gear, Miter, 15 T
20	3709	Gear, Spur, 14T	56	3656	Ring, Retaining
21	3631	Collar, Clutch	57	3839	Gear, Spur, 32 T
22	3828	Key, Clutch	58	3919	Shaft, Cross
23	1369	Koy, Woodruff # 3	59	3726	Gear, Miter, 15 T
24	3976	Shaft, Intermediate	60	3881	Axle, R.H.
25	1375	Key, Woodruff # 61	61	3864-B	Housing, Lower
26	3627	Ring, Retaining	62	3920	Puck, Friction
27	3830	Sprocket, 18 T	63	3276	Disc, Brake
28	3841	Spacer	64	3758	Spacer
29	3787	Gear, Spur, 40 T	65	3916	Jaw, Brake
30	3785	Gear, Spur, 35 T	66	3843	Pin, Dowel
31	3867	Gear, Spur, 30 T	67	3915	Screw, Tapping 5/16 - 18 x 2.25
32	3783	Gear, Spur, 25 T	68	3768	Lever, Actuating
33	3869	Gear, Spur, 22 T	69	3760	Washer, Plain .321 x 1.00 x .055
34	3741	Gear, Spur, 19 T	70	3917	Bracket, Anti-Rotation
35	3628	Washer, Plain .640 x 1.37 x .061	71	3847	Locknut 5/16 - 24
36	1423	Washer, Plain .632 x 1.00 x .026	72	4300	Grease
37	3422	Spacer .630 x 1.00 x .169			

* Use in various combinations to maintain proper clearances.

NOTE: All component dimensions given in U.S. inches.
1 inch = 25.4 mm