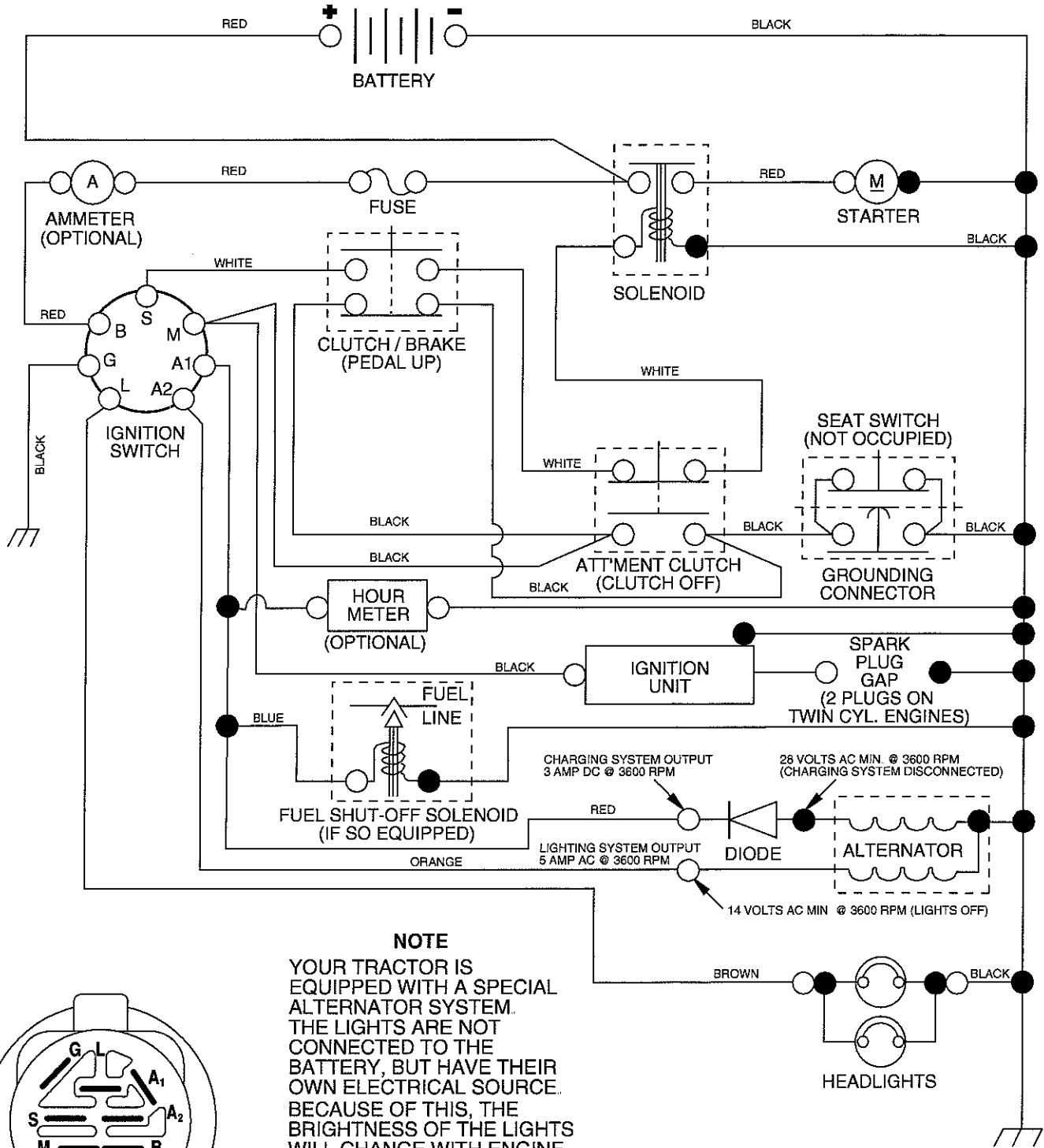
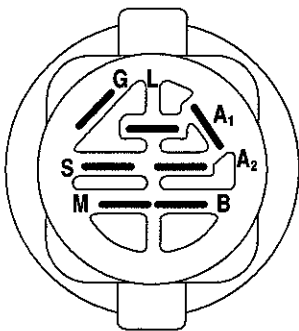


**TRACTOR -- MODEL NO. MC20H42ST (MC20H42STA), PRODUCT NO. 964 77 33-03
SCHEMATIC**



NOTE

YOUR TRACTOR IS EQUIPPED WITH A SPECIAL ALTERNATOR SYSTEM. THE LIGHTS ARE NOT CONNECTED TO THE BATTERY, BUT HAVE THEIR OWN ELECTRICAL SOURCE. BECAUSE OF THIS, THE BRIGHTNESS OF THE LIGHTS WILL CHANGE WITH ENGINE SPEED. AT IDLE THE LIGHTS WILL DIM. AS THE ENGINE IS SPEEDED UP, THE LIGHTS WILL BECOME THEIR BRIGHTEST.



IGNITION SWITCH

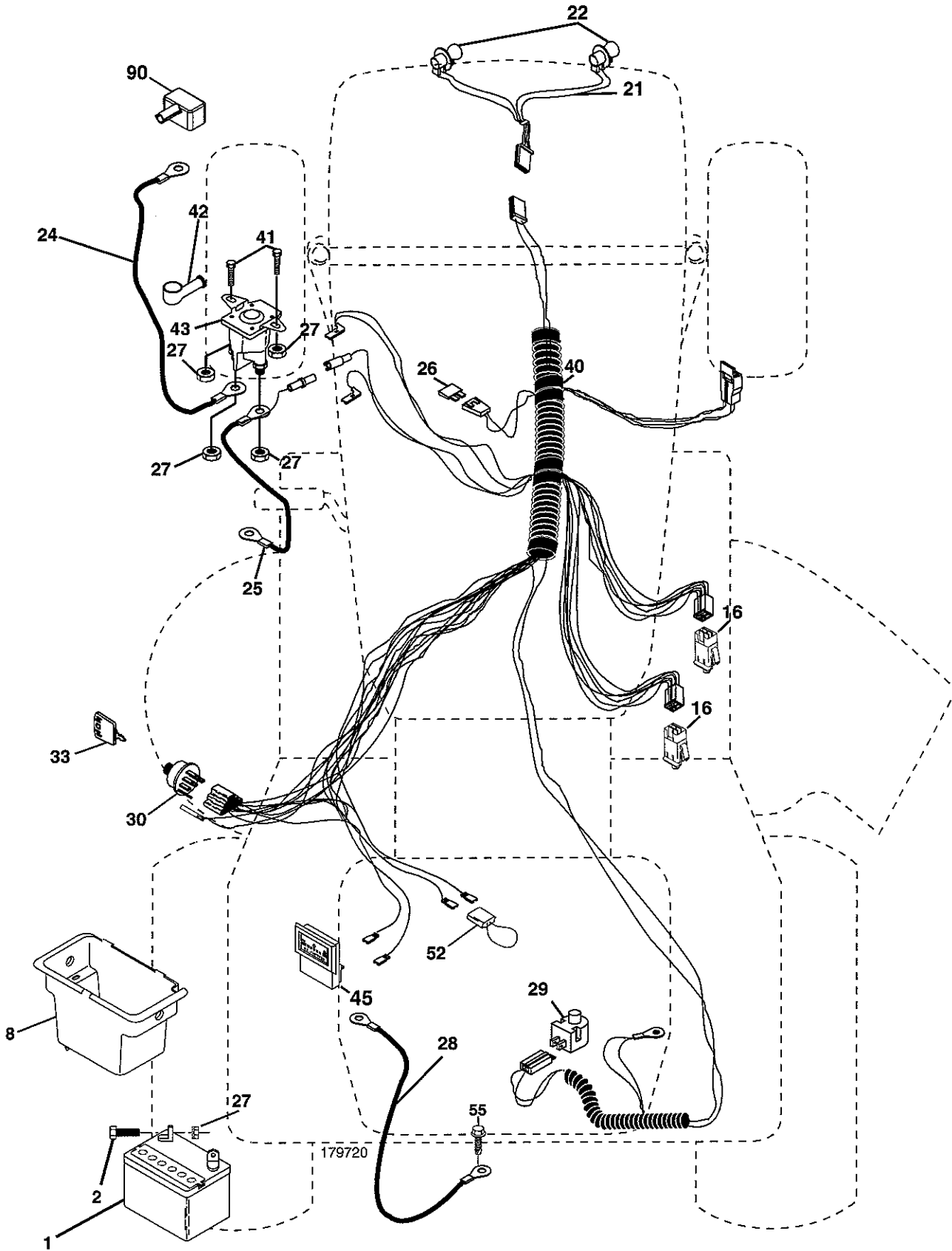
POSITION	CIRCUIT	"MAKE"
OFF	M+G+A1	NONE
RUN/LIGHT	B+A1	A2+L
RUN	B+A1	NONE
START	B + S + A1	NONE

WIRING INSULATED CLIPS

NOTE: IF WIRING INSULATED CLIPS WERE REMOVED FOR SERVICING OF UNIT, THEY SHOULD BE REPLACED TO PROPERLY SECURE YOUR WIRING.

02363

TRACTOR - - MODEL NO. MC20H42ST (MC20H42STA), PRODUCT NO. 964 77 33-03
ELECTRICAL

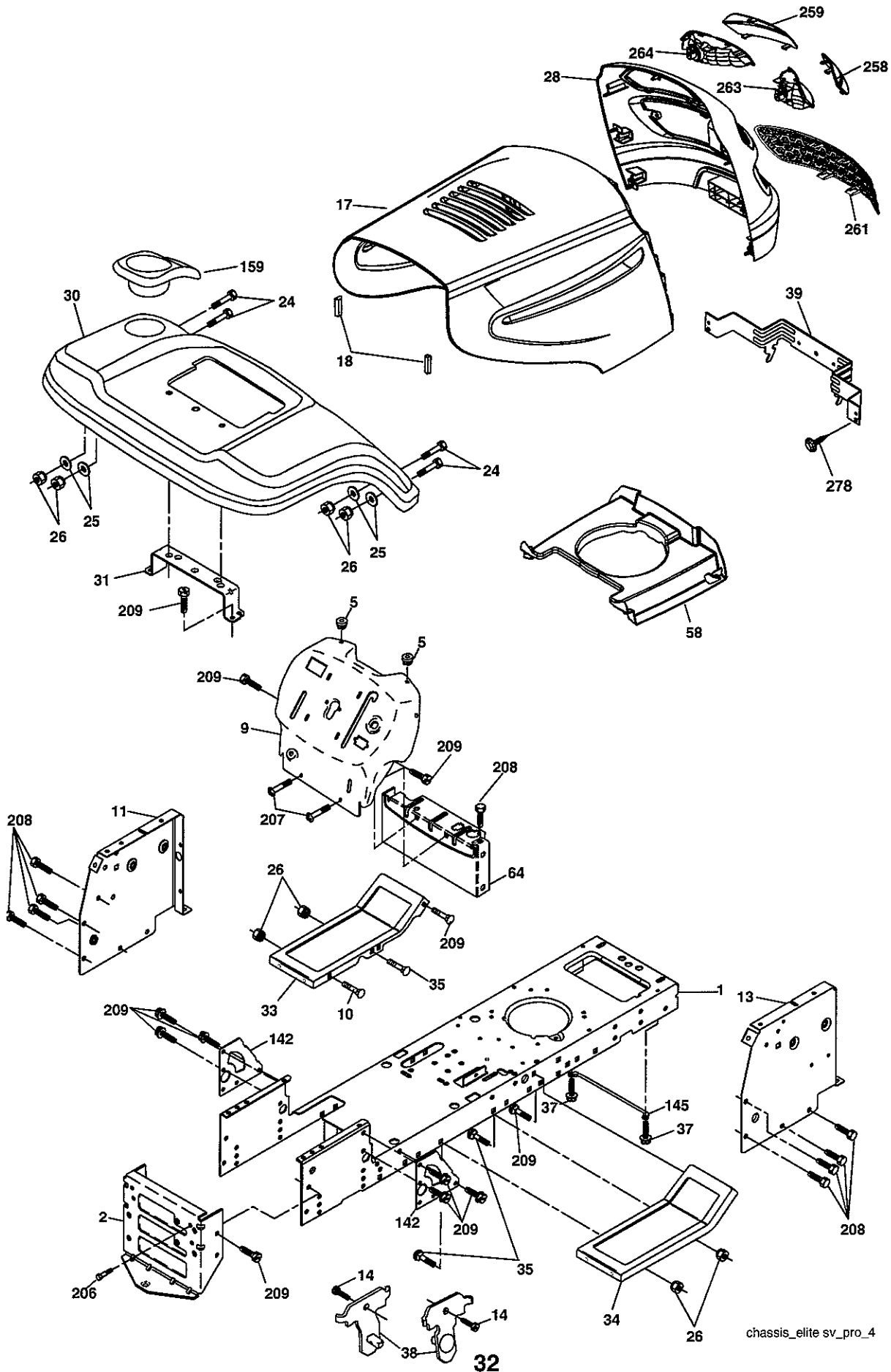


**TRACTOR - - MODEL NO. MC20H42ST (MC20H42STA), PRODUCT NO. 964 77 33-03
ELECTRICAL**

KEY NO.	PART NO.	DESCRIPTION
1	532 16 34-65	Battery
2	874 76 04-12	Bolt Hex Hd 1/4-20 unc x 3/4
8	532 17 66-89	Box Battery
16	532 17 61-38	Switch Interlock Push-In
21	532 18 37-59	Harness Asm Light W/4152j
22	532 00 41-52	Bulb Light #1156
24	532 12 47-80	Cable Battery 6 Ga. 11" red
25	532 14 61-47	Cable Battery 6 Ga. 44" red w/16 wire
26	532 17 51-58	Fuse 20 AMP
27	873 51 04-00	Nut Keps Hex 1/4-20 unc
28	532 12 47-73	Cable Ground black
29	532 12 13-05	Switch Plunger Nc Gray
30	532 17 55-66	Switch Ign
33	532 14 04-01	Key Ign Molded Generic
40	532 17 97-20	Harness Ign.
41	871 11 04-08	Bolt Blk Fin Hex 1/4 - 20 x 1/2
42	532 13 15-63	Cover Terminal Red
43	532 17 88-61	Solenoid
45	532 12 14-33	Ammeter
52	532 14 19-40	Protection Wire Loop
90	532 18 04-49	Cover Terminal Battery

NOTE: All component dimensions given in U.S. inches.
1 inch = 25.4 mm.

**TRACTOR - - MODEL NO. MC20H42ST (MC20H42STA), PRODUCT NO. 964 77 33-03
CHASSIS AND ENCLOSURES**

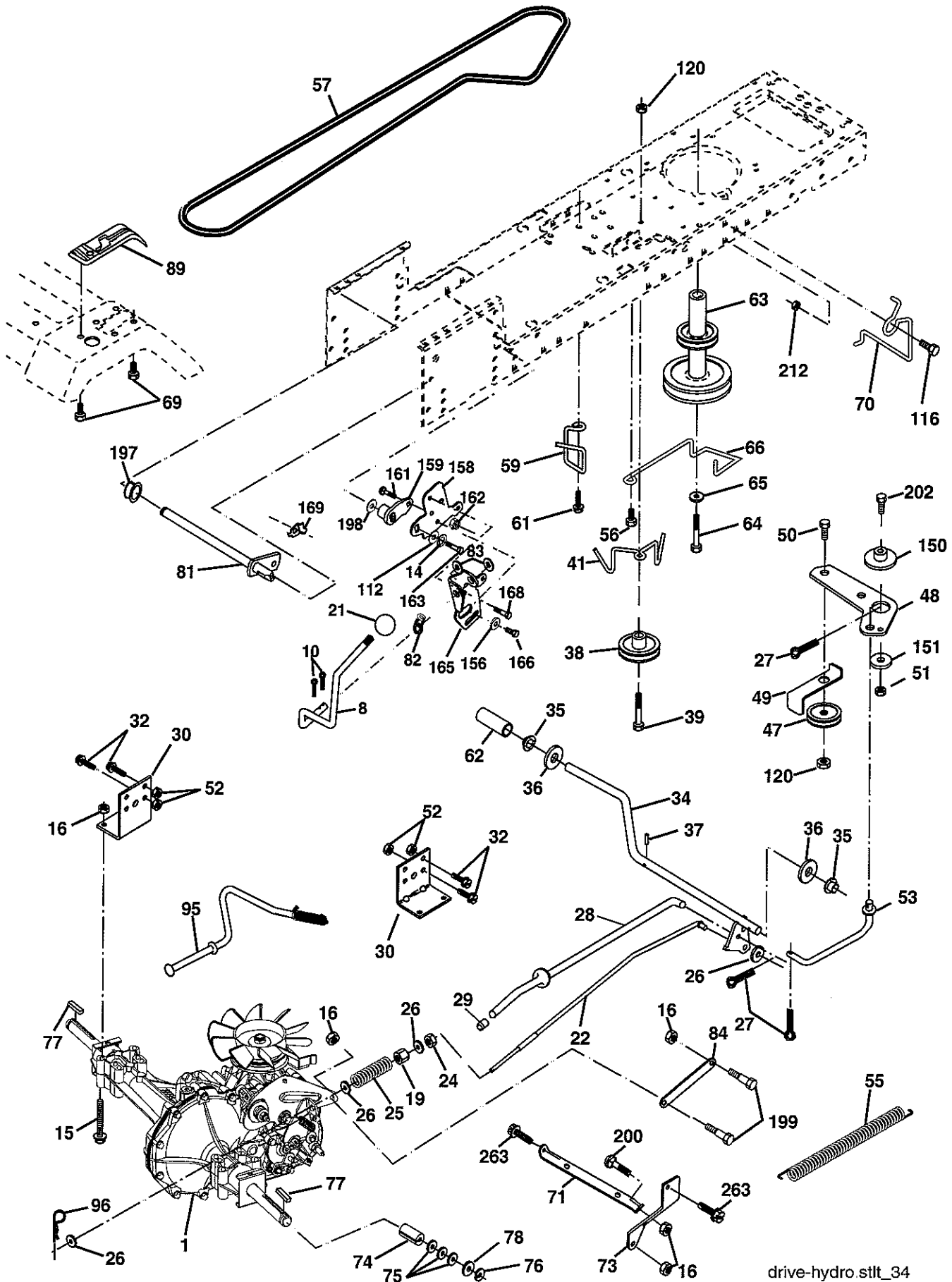


**TRACTOR - - MODEL NO. MC20H42ST (MC20H42STA), PRODUCT NO. 964 77 33-03
CHASSIS AND ENCLOSURES**

KEY NO.	PART NO.	DESCRIPTION
1	532 17 46-19	Chassis Stamping
2	532 17 65-54	Drawbar
5	532 15 52-72	Bumper Hood/Dash
9	532 19 45-86	Dash
10	872 14 06-08	Bolt Carriage 3/8-16 x 1
11	532 17 49-96	Panel Dash Lh
13	532 17 52-55	Panel Dash Rh
14	817 49 06-08	Screw Thdrol 3/8-16 x 1/2
17	532 19 45-88	Hood
18	532 18 49-21	Bumper Hood
24	874 78 06-16	Bolt Fin Hex 3/8-16 unc x 1 Gr. 5
25	819 13 13-12	Washer 13/32 x 13/16 x 12 Ga.
26	873 80 06-00	Nut Lock Hex W/Ins 3/8-16 unc
28	532 18 38-28	Grille/Lens Asm. (Includes Key Nos. 212 and 258 thru 261)
30	532 19 45-89	Fender
31	532 13 66-19	Bracket Support Fender
33	532 18 25-07	Footrest LH
34	532 18 25-08	Footrest RH
35	872 11 06-06	Bolt Rdhd Sht Sqnk 3/8-16 x 3/4
37	817 49 05-08	Screw Thdrol 5/16-18 x 1/2 TYT
38	532 17 57-10	Bracket Asm Pivot Mower Rear
39	532 17 47-14	Bracket Pivot
58	532 18 93-50	Air Duct Engine
64	532 15 47-98	Dash Lower STLT
142	532 17 57-02	Plate Reinforcement STLT
145	532 15 65-24	Rod Pivot Chassis/Hood
159	532 18 56-35	Cupholder
206	532 17 01-65	Bolt Shoulder 5/16-18 TT
207	817 67 05-08	Screw Thdrol 5/16-18 x 1/2 TYTT
208	817 67 06-08	Screw Thdrol 3/8-16 x 1/2 TYT BI
209	817 00 06-12	Screw 3/8-16 x 3/4
258	532 18 97-55	Lens RH
259	532 18 97-54	Lens LH
261	532 18 97-53	Insert Grille
263	532 18 38-33	Bezel RH
264	532 18 38-32	Bezel LH
278	532 19 16-11	Screw 10 x 3/4 Single Lead-Hex
--	532 19 39-35	Plug Switch Light

NOTE: All component dimensions given in U.S. inches
1 inch = 25.4 mm

TRACTOR - - MODEL NO. MC20H42ST (MC20H42STA), PRODUCT NO. 964 77 33-03
DRIVE



drive-hydro.stlt_34

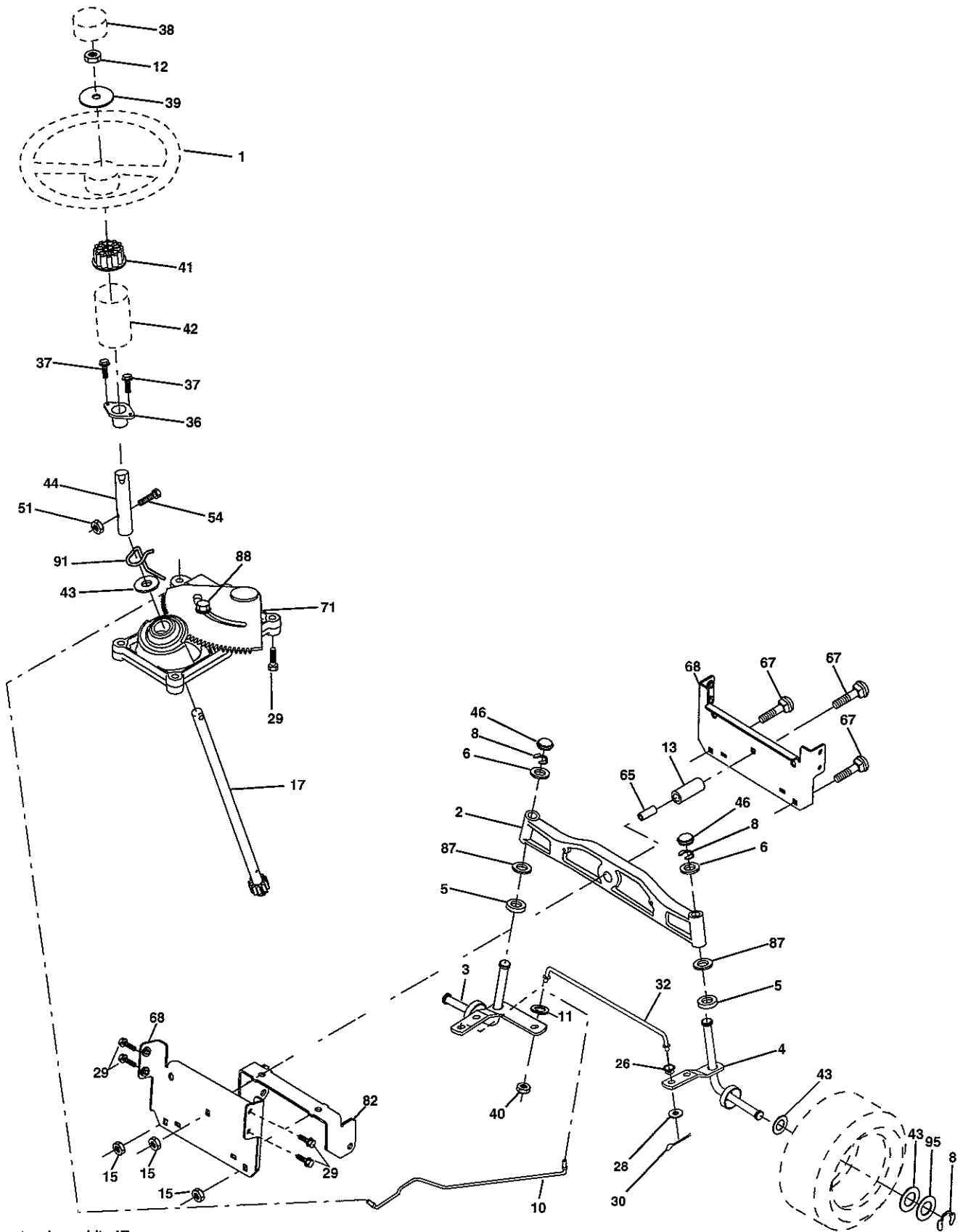
**TRACTOR - - MODEL NO. MC20H42ST (MC20H42STA), PRODUCT NO. 964 77 33-03
DRIVE**

KEY NO.	PART NO.	DESCRIPTION
1	-----	Transaxle Hydro Gr 314-0510 (Order parts from transaxle manufacturer)
8	532 19 27-06	Rod Shift Fender
10	876 02 04-16	Pin Cotter 1/8 x 1 CAD
14	810 04 04-00	Washer Lock Hvy Helical 1/4
15	874 49 05-44	Bolt Hex Flg Hd 5/16-18 x Gr. 5
16	873 80 05-00	Nut Lock Hex W/Ins. 5/16-18 unc P
19	873 80 06-00	Nut Lock Hex W/Wsh 3/8-16 unc
21	532 14 08-45	Knob
22	532 16 94-98	Rod, Brake Hydro
24	873 35 06-00	Nut
25	532 10 68-88	Spring, Brake Rod
26	819 13 13-16	Washer
27	876 02 04-12	Pin Cotter 1/8 x 3/4 CAD.
28	532 17 57-65	Rod, Parking Brake
29	532 07 16-73	Cap, Parking Brake
30	532 16 95-92	Bracket, Transaxle
32	874 76 05-12	Bolt Hex Hd 5/16-18 unc x 3/4
34	532 17 55-78	Shaft, Foot Pedal
35	532 12 01-83	Bearing, Nylon
36	819 21 16-16	Washer
37	532 12 49-63	Pin, Roll
38	532 17 91-14	Pulley, Idler, Composite
39	872 11 06-22	Bolt Fin Hex 3/8-16 unc x 2-3/4
41	532 17 55-56	Keeper, Belt Idler
47	532 12 77-83	Pulley, Idler, V-Groove
48	532 15 44-07	Bellcrank Clutch Grnd Drv Stl
49	532 12 32-05	Retainer, Belt
50	872 11 06-12	Bolt Carr. 3/8-16 x 1-1/2 Gr. 5
51	873 68 06-00	Nut Crownlock 3/8-16
52	873 68 05-00	Nut Crownlock 5/16-18
53	532 10 57-10	Link, Clutch
55	532 10 57-09	Spring, Return, Clutch
56	817 06 06-20	Screw 3/8-16 x 1-1/4 SMGML Tap/R
57	532 14 02-94	V-Belt, Ground Drive
59	532 16 96-91	Keeper, Center Span
61	817 12 06-14	Screw 3/8-16 x .875
62	532 12 48-72	Cover, Pedal
63	532 17 54-10	Pulley, Eng
64	532 17 39-37	Bolt Hex 7/16-20 x 4 Ga. 5
65	810 04 07-00	Washer
66	532 15 47-78	Keeper Belt Engine

KEY NO.	PART NO.	DESCRIPTION
69	532 14 24-32	Screw Hex wsh Hi-Lo 1/4-1/2 unc
70	532 13 46-83	Guide Belt Mower Drive RH
71	532 16 91-83	Strap Torque Lh Hydro
73	532 16 91-82	Strap Torque Rh Hydro
74	532 13 70-57	Spacer, Axle
75	532 12 17-49	Washer 25/32 x 1-1/4 x 16 Ga.
76	812 00 00-01	E-Ring
77	532 12 35-83	Key, Square
78	532 12 17-48	Washer 25/32 x 1-5/8 x 16 Ga.
81	532 16 55-96	Shaft Asm. Cross Hydro
82	532 16 57-11	Spring Torsion T/A
83	819 17 12-16	Washer 17/32 x 3/4 x 16 Ga.
84	532 16 95-94	Link Transaxle
89	532 17 30-29	Console, Shift
95	532 17 02-01	Control Asm Bypass Hydro
96	532 12 47-88	Retainer Spring 1" Zinc/Cad
112	819 09 12-10	Washer 9/32 x 3/4 x 10 Ga.
116	872 14 06-08	Bolt 3/8-16 unc x 1
120	873 90 06-00	Nut Lock 3/8-16 unc
150	532 17 54-56	Spacer Retainer
151	819 13 32-10	Washer 13/32 x 2 x 10 Ga.
156	532 16 60-02	Washer Srrtd 5/16 ID x 1.0 x .125 Tk
158	532 16 55-89	Bracket Shift Mount
159	532 18 39-00	Hub Shift
161	872 14 04-06	Bolt Rdhd Sqnk 1/4-20 x 3/4 Gr. 5
162	873 68 04-00	Nut Crownlock 1/4-20 unc
163	874 78 04-16	Bolt Hex Fin 1/4-20 unc x 1 Gr. 5
165	532 16 56-23	Bracket Pivot Lever
166	817 49 05-10	Screw 5/16-18 x 5/8 TT Yellow
168	532 16 54-92	Bolt Shoulder 5/16-18 x .561 TT
169	532 16 55-80	Plate Fastening Cross Shf. STLT/CRD
197	532 16 96-13	Nyliner Snap-In 5/8" ID
198	532 16 95-93	Washer Nyl 7/8 ID x .105 HYD CRD
199	532 16 96-12	Bolt Shoulder 5/16-18 unc
200	872 14 05-08	Bolt Rdhd Sqnk 5/16-18 unc x 1
202	872 11 06-14	Bolt 3/8-16 x 1-3/4 Gr. 5
212	532 14 52-12	Nut Hexflange Lock
263	817 00 06-12	Screw 3/8-16 x .75

NOTE: All component dimensions given in U.S. inches
1 inch = 25.4 mm

**TRACTOR -- MODEL NO. MC20H42ST (MC20H42STA), PRODUCT NO. 964 77 33-03
STEERING ASSEMBLY**



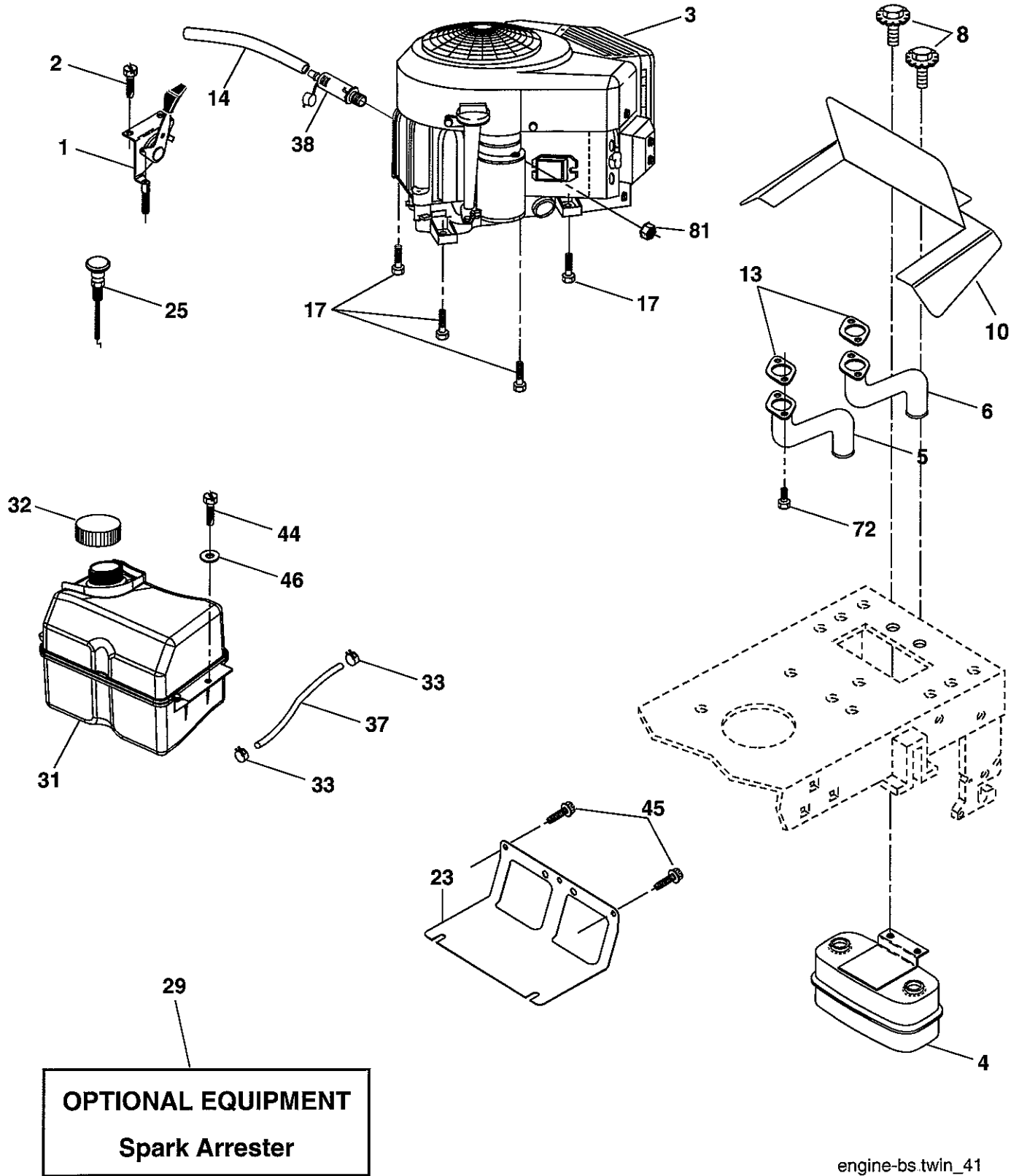
steering_pl.lt_47

**TRACTOR - - MODEL NO. MC20H42ST (MC20H42STA), PRODUCT NO. 964 77 33-03
STEERING ASSEMBLY**

KEY NO.	PART NO.	DESCRIPTION
1	532 19 45-95	Wheel Steering
2	532 18 47-06	Axle
3	532 16 98-40	Spindle Asm LH
4	532 16 98-39	Spindle Asm RH
5	532 12 49-31	Bearing Race Thrust Harden
6	532 12 17-48	Washer 25/32 x 1-5/8 x 16 Ga.
8	812 00 00-29	Ring Klip #t5304-75
10	532 17 51-21	Link Drag
11	810 04 06-00	Washer Lock Hvy Hlcl Spr 3/8
12	873 94 08-00	Nut Hex Jam Toplock 1/2-20 unf
13	532 13 65-18	Spacer Brg Axle Front
15	532 14 52-12	Nut Hex Flange Lock
17	532 18 06-41	Shaft Asm Strg
26	532 12 68-47	Bushing Link Drag
28	819 13 14-16	Washer 13/32 x 7/8 x 16 Ga.
29	817 00 06-12	Screw 3/8-16 x 3/4
30	876 02 04-12	Pin Cotter 1/8 x 3/4
32	532 19 27-57	Rod Tie
36	532 15 50-99	Bushing Strg
37	532 15 29-27	Screw
38	532 19 46-03	Insert Cap Strg Wh
39	819 18 38-12	Washer 9/16 ID x 2-3/8 OD x 12 Ga.
40	873 54 06-00	Nut Crownlock 3/8-24
41	532 18 67-37	Adaptor Wheel Strg
42	532 16 96-33	Boot Steering Shaft
43	532 12 17-49	Washer 25/32 x 1 1/4 x 16 Ga.
44	532 18 06-40	Extension Steering Shaft
46	532 12 12-32	Cap Spindle Fr Top Blk
51	873 54 04-00	Nut Crownlock 1/4-28
54	871 13 04-20	Bolt Hex 1/4-28 unf x 1-1/4 Gr. 8
65	532 16 03-67	Spacer Brace Axle
67	872 11 06-18	Bolt Rdhd Sq 3/8-16 x 2-1/4
68	532 16 98-27	Axle, Brace
71	532 17 51-46	Steering Asm
82	532 16 98-35	Bracket Susp Chassis Front
87	532 17 39-66	Washer Flat .781 x 1-1/2 x .14
88	532 17 51-18	Bolt Shoulder 7/16-20
91	532 17 55-53	Clip Steering
95	532 18 89-67	Washer Hardened

NOTE: All component dimensions given in U.S. inches.
1 inch = 25.4 mm.

**TRACTOR - - MODEL NO. MC20H42ST (MC20H42STA), PRODUCT NO. 964 77 33-03
ENGINE**

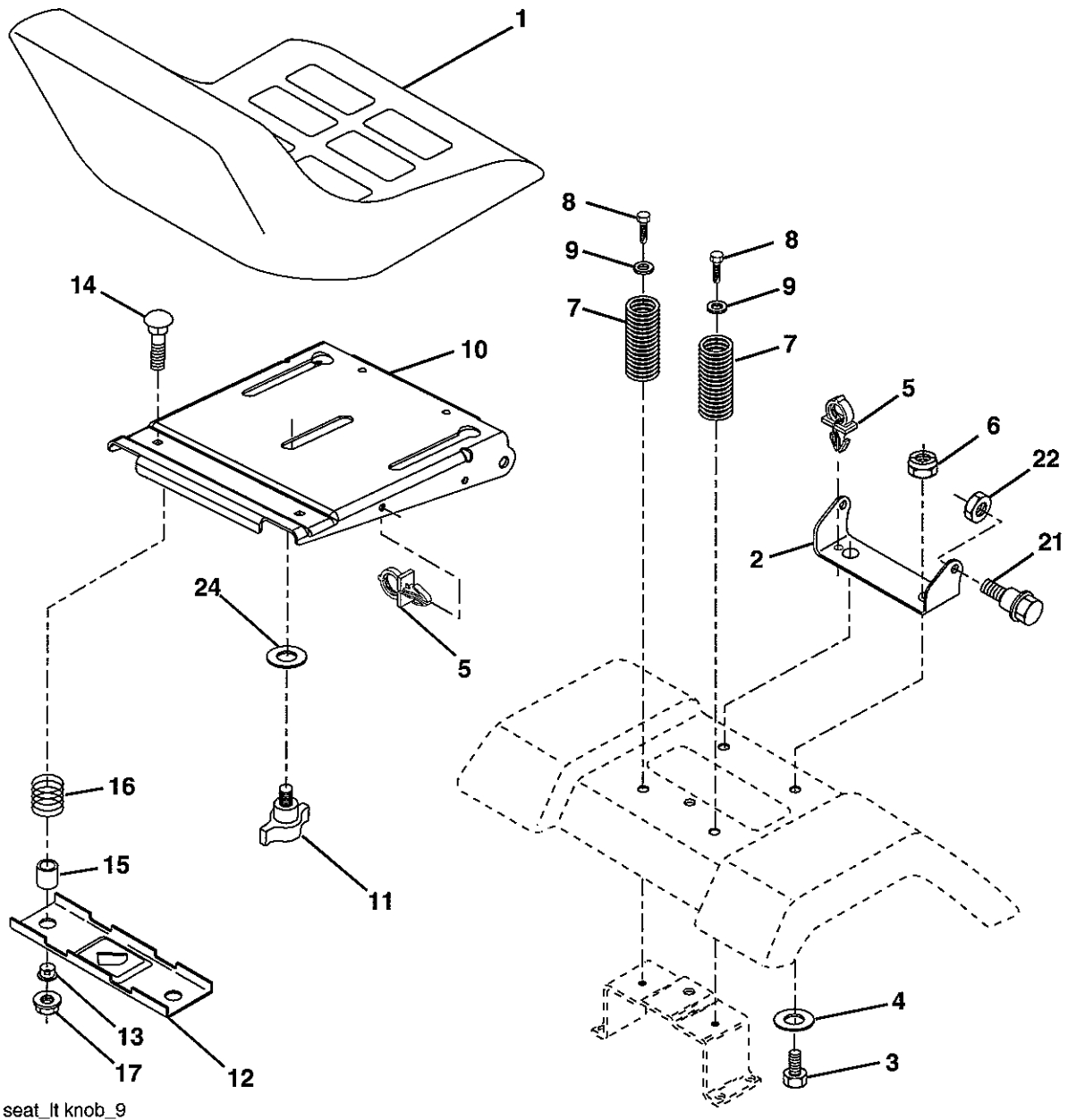


**TRACTOR - - MODEL NO. MC20H42ST (MC20H42STA), PRODUCT NO. 964 77 33-03
ENGINE**

KEY NO.	PART NO.	DESCRIPTION
1	532 17 07-71	Control Throttle/Choke
2	817 72 04-08	Screw Hex Thd Cut 1/4-20 x 1/2
3	-----	Engine Briggs Model No. 406577 (Order Parts From Engine Manufacturer)
4	532 14 97-23	Muffler
5	532 15 99-55	Exhaust Tube LH
6	532 16 05-89	Exhaust Tube RH
8	532 17 18-77	Bolt 5/16-18 unc x 3/4 w/Sems
10	532 16 27-97	Shield Browning
13	532 16 53-91	Gasket
14	532 14 84-56	Tube Drain Oil Easy
17	817 06 06-24	Screw 3/8-16 x 1-1/2
23	532 16 98-37	Shield Browning/Debris Guard
25	532 19 17-17	Control Choke
29	532 13 71-80	Kit Spark Arrestor (Flat Scrn)
31	532 18 55-34	Tank Fuel
32	532 14 05-27	Cap Asm Fuel
33	532 12 34-87	Clamp Hose Black
37	532 13 70-40	Line Fuel
38	532 18 16-54	Plug Drain Oil Easy
44	817 67 04-12	Screw Hexwsh Thdrol 1/4-20 x 3/4
45	817 00 06-12	Screw Hex Wsh Thdr 3/8-16 x 3/4
46	819 09 14-16	Washer 9/32 x 7/8 x 16 Ga.
72	532 18 39-06	Screw Socket Head 5/16-18 x 1
81	873 51 04-00	Nut Keps Hex 1/4-20 Starter Nut

NOTE: All component dimensions given in U.S. inches
1 inch = 25.4 mm

**TRACTOR - - MODEL NO. MC20H42ST (MC20H42STA), PRODUCT NO. 964 77 33-03
SEAT ASSEMBLY**



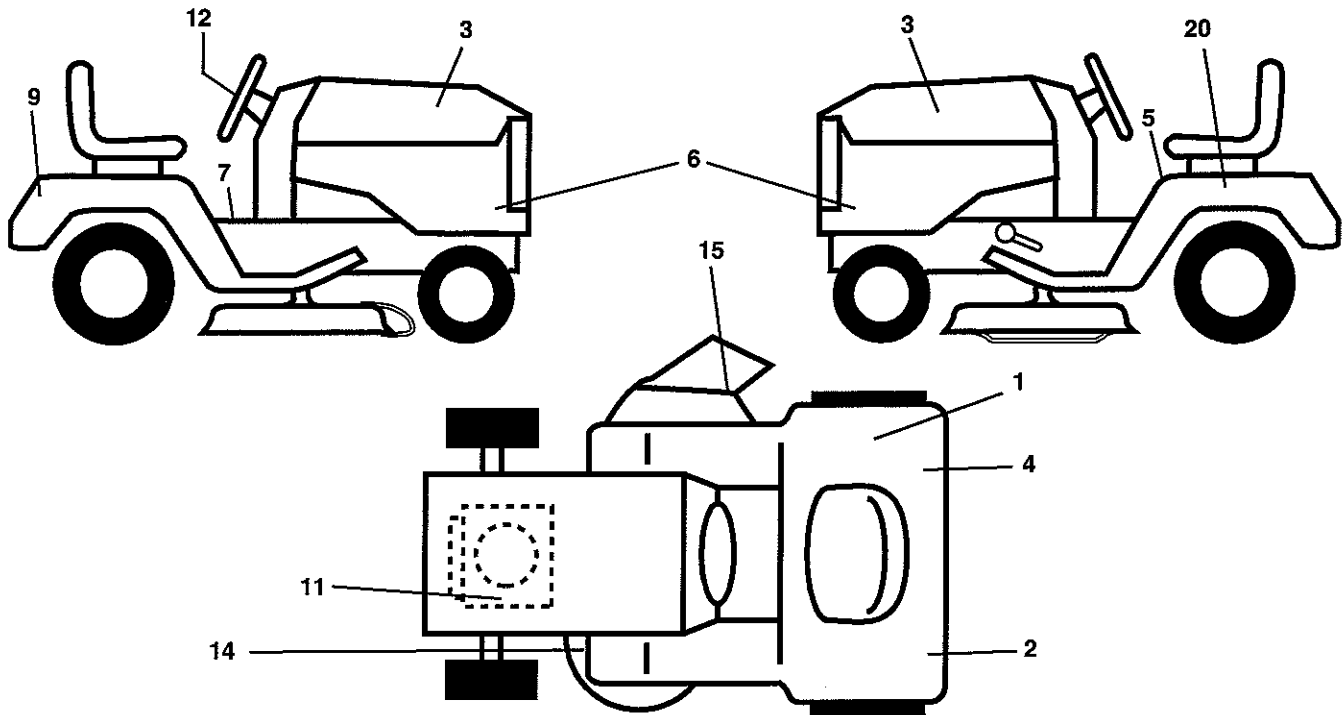
seat_lt knob_9

KEY NO.	PART NO.	DESCRIPTION
1	532 18 87-05	Seat
2	532 18 01-66	Bracket Pivot Seat
3	871 11 06-16	Bolt Fin Hex 3/8-16 unc x 1
4	819 13 16-10	Washer 13/32 x 1 x 10 Ga.
5	532 14 50-06	Clip Push-In
6	873 80 06-00	Nut Hex w/Ins. 3/8-16 unc
7	532 12 41-81	Spring Seat Cprsn 2 250 Blk Zi
8	817 00 06-16	Screw 3/8-16 x 1-1/2 Smgml Tap/RZ
9	819 13 16-14	Washer 13/32 x 1 x 14 Ga.
10	532 18 01-86	Pan Seat
11	532 16 63-69	Knob Seat Adj. Wingnut
12	532 12 12-46	Bracket Mounting Switch

KEY NO.	PART NO.	DESCRIPTION
13	532 12 12-48	Bushing Snap Blk Nyl 50 Id
14	872 05 04-12	Bolt Rdhd Sqnk 1/4-2 x 1-1/2
15	532 13 43-00	Spacer Split 28 x 96 Yel Zinc
16	532 12 12-50	Spring Cprsn 1 27 Blk Pnt
17	532 12 39-76	Nut Lock 1/4 Lge Flg Gr. 5 Zinc
21	532 17 18-52	Bolt Shoulder 5/16-18 unc-2a Blk DA
22	873 80 05-00	Nut Hex Lock W/Ins 5/16-18
24	819 17 19-12	Washer 17/32 x 13/16 x 12 Ga.

NOTE: All component dimensions given in U.S. inches.
1 inch = 25.4 mm

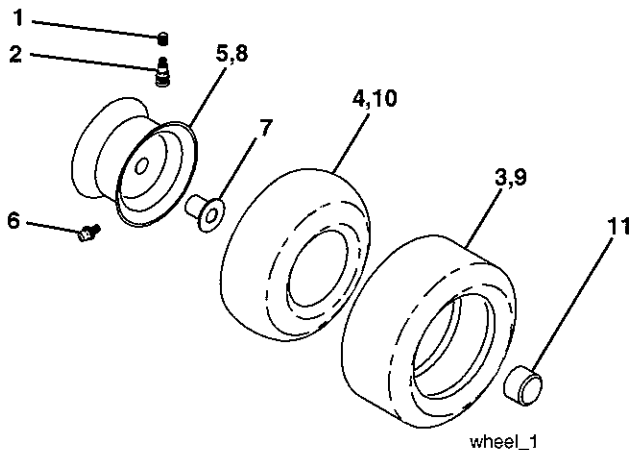
**TRACTOR - - MODEL NO. MC20H42ST (MC20H42STA), PRODUCT NO. 964 77 33-03
DECALS**



KEY NO.	PART NO.	DESCRIPTION
1	532 16 88-69	Decal Tick Mark
2	532 17 35-89	Decal LH Reflector
3	532 19 32-03	Decal Hood
4	532 17 35-87	Decal RH Reflector
5	532 15 70-02	Decal Fender Danger
6	532 19 43-99	Decal Side Panel
7	532 15 68-11	Decal Fender Operator
9	532 19 43-96	Decal Fender
11	532 18 95-25	Decal Engine

KEY NO.	PART NO.	DESCRIPTION
12	532 18 57-33	Decal Wheel Steering
14	532 16 03-96	Decal V-Belt Schematic
15	532 17 91-28	Decal Deck "B" 42"
20	532 14 50-05	Decal Bat Dan/Psn
--	532 16 69-60	Decal By-Pass
--	532 13 83-11	Decal Handle Lft Height Adjust
--	532 18 10-91	Pad Footrest LH STLT
--	532 18 10-90	Pad Footrest RH STLT
--	532 19 42-98	Manual Owner's English

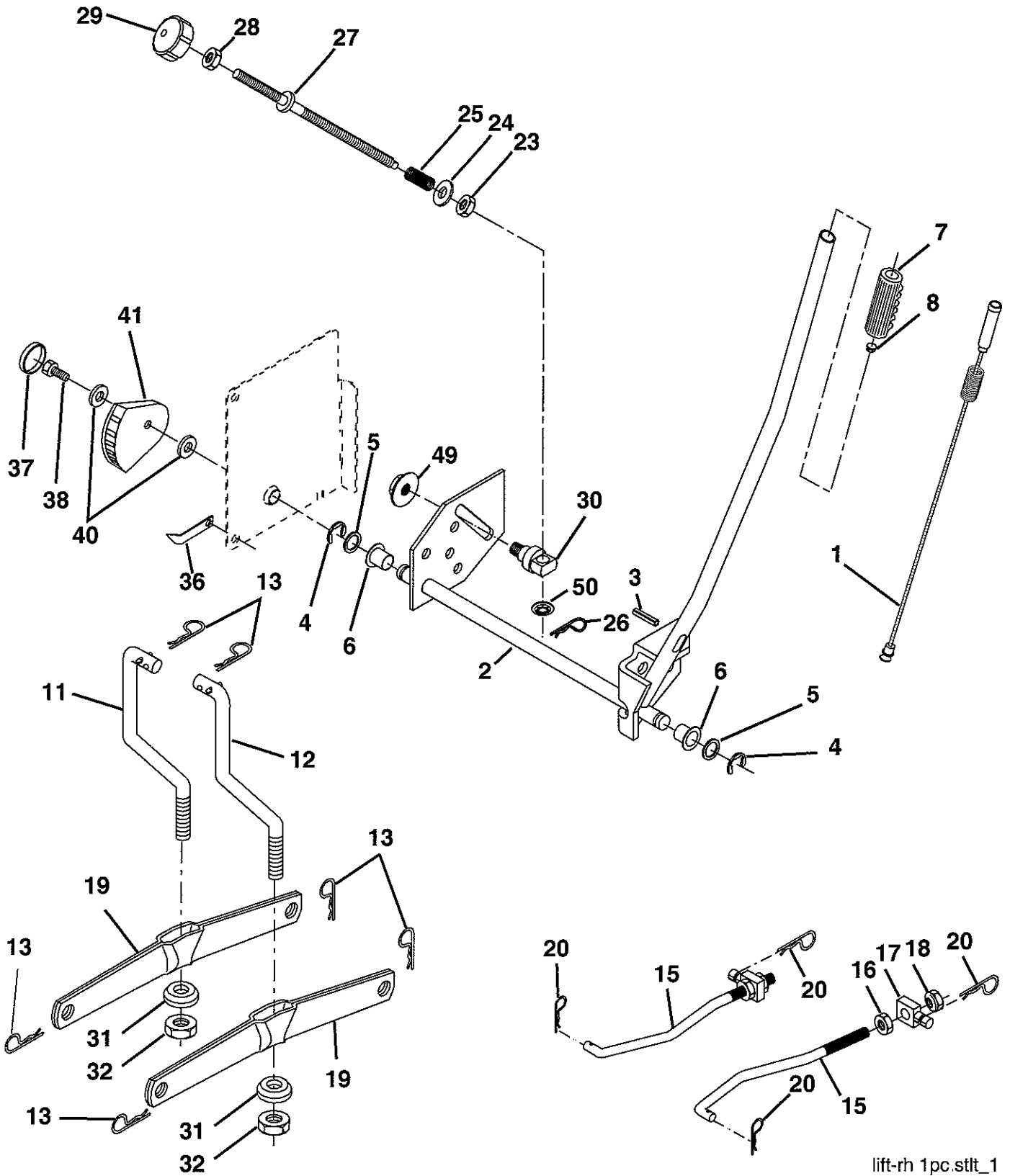
WHEELS & TIRES



KEY NO.	PART NO.	DESCRIPTION
1	532 05 91-92	Cap Valve Tire
2	532 06 51-39	Stem Valve
3	532 10 62-22	Tire F Ts 15 x 6.0 - 6 Service
4	532 05 99-04	Tube Front (Service Item Only)
5	532 12 51-21	Rim Asm 6" front Service
6	532 12 49-57	Fitting Grease (Front Wheel Only)
7	532 12 49-59	Bearing Flange (Front Wheel Only)
8	532 12 51-22	Rim Asm 8" rear Service
9	532 13 84-68	Tire R Ts 20 x 8-8 C Service
10	532 12 49-26	Tube Rear (Service Item Only)
11	532 19 32-68	Cap Axle
--	532 14 43-34	Sealant, Tire (10 oz. Tube)

NOTE: All component dimensions given in U.S. inches
1 inch = 25.4 mm

TRACTOR - - MODEL NO. MC20H42ST (MC20H42STA), PRODUCT NO. 964 77 33-03
MOWER LIFT



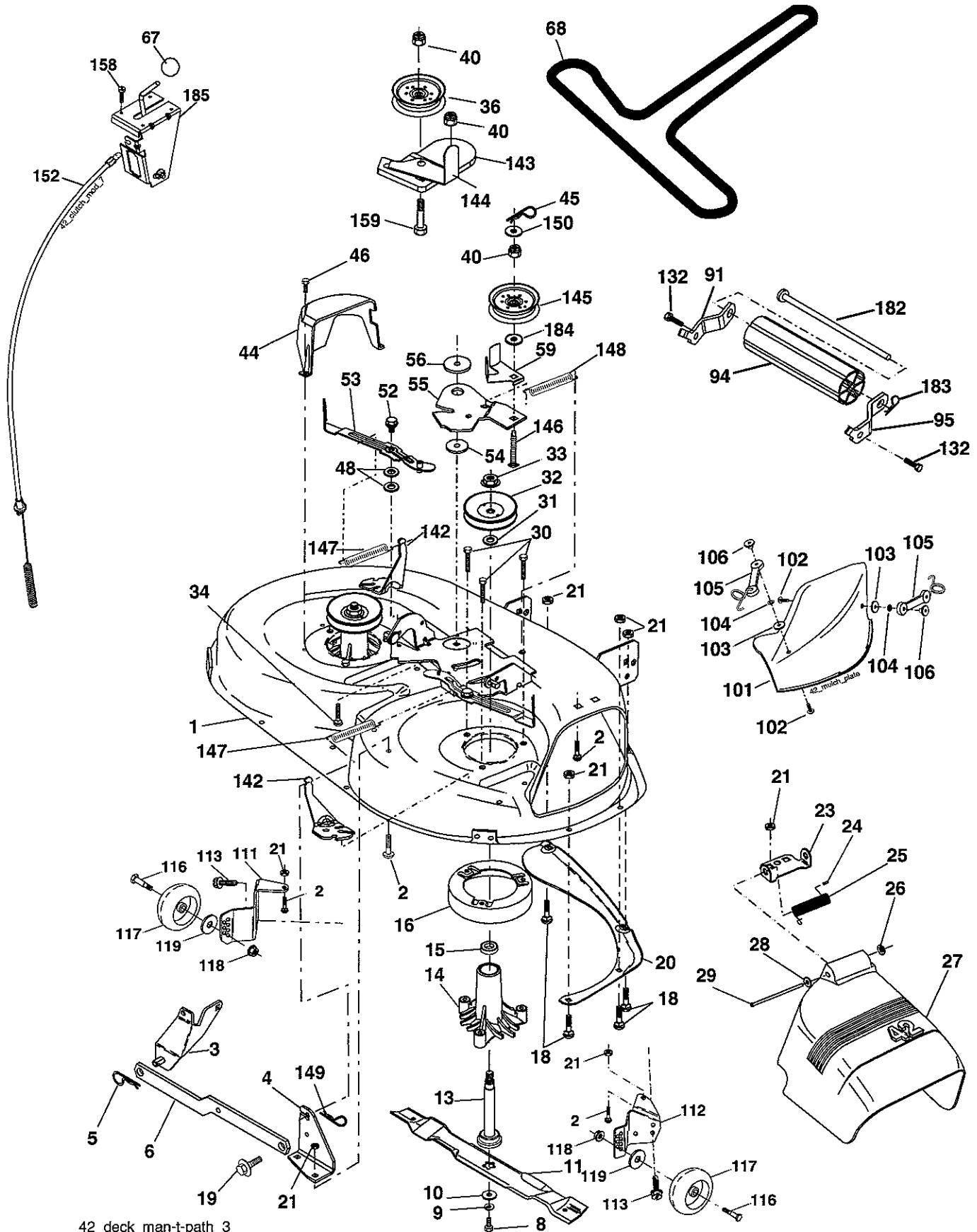
lift-rh 1pc.stlt_1

**TRACTOR - - MODEL NO. MC20H42ST (MC20H42STA), PRODUCT NO. 964 77 33-03
MOWER LIFT**

KEY NO.	PART NO.	DESCRIPTION
1	532 15 94-61	Wire Asm Inner W/plunger
2	532 15 94-76	Shaft Asm Lift
3	532 18 88-22	Pin Groove
4	812 00 00-02	E Ring #5133-62
5	819 21 16-21	Washer 21/32 x 1 x 21 Ga.
6	532 12 01-83	Bearing Nylon Blk 629 Id
7	532 12 56-31	Grip Handle
8	532 17 07-70	Button Plunger
11	532 13 98-65	Link Lift LH
12	532 13 98-66	Link Lift RH
13	532 12 46-70	Retainer Spring
15	532 17 32-88	Link Front
16	873 35 08-00	Nut Jam Hex 1/2-13 unc
17	532 17 56-89	Trunnion Blk Zinc
18	873 80 08-00	Nut Lock W/wsh 1/2-13 unc
19	532 13 98-68	Arm Suspension Rear
20	532 16 35-52	Retainer Spring
23	532 11 08-07	Nut Special
24	819 13 10-16	Washer 13/32 x 5/8 x 16 Ga.
25	532 12 48-74	Spring 2-1/8"
26	532 16 94-84	Retainer Clip
27	532 12 69-71	Rod Adj Lift
28	873 35 06-00	Nut Hex Jam 3/8-16 unc
29	532 13 80-57	Knob Inf. 3/8-16 unc
30	532 15 02-33	Trunnion Infin. Height
31	532 16 98-65	Bearing pvt. Lift
32	873 54 06-00	Nut Crownlock 3/8-24
36	532 15 50-97	Pointer Height Ind.
37	532 12 39-35	Plug Hole
38	817 06 05-16	Screw 5/16-18 x 1
40	819 11 24-10	Washer 11/32 x 1-1/2 10 Ga.
41	532 15 50-98	Indicator Height
49	532 14 52-12	Nut Hexflange Lock
50	532 11 04-52	Nut Push Phos & oil

NOTE: All component dimensions given in U.S. inches
1 inch = 25.4 mm

TRACTOR - - MODEL NO. MC20H42ST (MC20H42STA), PRODUCT NO. 964 77 33-03
MOWER DECK



42_deck_man-t-path_3

**TRACTOR - - MODEL NO. MC20H42ST (MC20H42STA), PRODUCT NO. 964 77 33-03
MOWER DECK**

KEY NO.	PART NO.	DESCRIPTION	KEY NO.	PART NO.	DESCRIPTION
1	532 16 58-92	Deck Asm MWR 42"weldment	94	532 13 22-64	Roller Nose
2	872 14 05-06	Bolt Rdhd Sqnk 5/16-18 unc x 3/4	95	532 18 05-33	Bracket Roller Nose RH
3	532 13 80-17	Bracket Asm Fr Sway Bar 38/42	101	532 13 64-20	Cover Mulching
4	532 16 54-60	Bracket Asm Deck 42"sway Bar	102	871 08 10-10	Screw 10-24 x 5/8
5	532 12 46-70	Retainer Spring	103	819 06 12-16	Washer #10
6	532 17 80-24	Bar Sway Deck	104	810 07 10-00	Washer Lock #10
8	532 85 08-57	Bolt 3/8 - 24 x 1.25 Gr. 8	105	532 16 07-93	Latch Asm.
9	810 03 06-00	Washer Lock Hvy 3/8	106	532 12 50-04	Nut Weld
10	532 14 02-96	Washer Hard Blade Mower Vented	111	532 17 92-92	Bracket Wheel Gauge LH 42" Deck
11	532 13 41-49	Blade Mower 42"	112	532 17 92-93	Bracket Gauge Wheel RH 42" Deck
13	532 13 76-45	Shaft Asm W/lower Bearing	113	817 00 05-10	Screw 5/16-18
14	532 12 87-74	Housing Mandrel Vented	116	532 12 48-42	Bolt Shoulder
15	532 11 04-85	Bearing Ball Mandrel	117	532 18 86-06	Wheel Gauge
16	532 17 44-93	Stripper Mower Vented	118	873 93 06-00	Nut Centerlock 3/8-16 unc
18	872 14 05-05	Bolt Rdhd Sqnk 5/16-18 x 5/8	119	819 12 14-14	Washer 3/8 x 7/8 x 14 Ga.
19	532 13 28-27	Bolt Shoulder	132	817 00 06-12	Screw Hexwsh Thdr. 3/8-16 x 3/4
20	532 15 97-70	Baffle Vortex 42	142	532 16 58-90	Arm Spring Brake Mower
21	873 68 05-00	Nut Crownlock 5/16-18 unc	143	532 15 71-09	Bracket Arm Idler 42"
23	532 17 75-63	Bracket Deflector Mower 42"	144	532 17 34-41	Keeper Belt 42" Clutch Idler
24	532 10 53-04	Cap Sleeve 80x 112 Blk Mower	145	532 17 34-37	Pulley Idler Flat
25	532 12 37-13	Spring Torsion Deflector 2 52	146	532 17 34-43	Bolt Carriage Idler
26	532 11 04-52	Nut Push Phos & Oil	147	532 13 13-35	Spring Extension
27	532 17 18-59	Shield Deflector Mower 42" Blk	148	532 16 90-22	Spring Return Idler
28	819 11 10-16	Washer 11/32 x 5/8 x 16 Ga.	149	532 16 58-98	Retainer Spring Yellow
29	532 13 14-91	Rod Hinge 42"6 75 Wlg	150	819 09 12-10	Washer 9/32 x 3/4 x 10 Ga.
30	532 17 39-84	Screw Thd Rolling Washer Head	152	532 16 96-76	Clutch Cable 42"
31	532 18 76-90	Washer Spacer	158	817 72 04-08	Screw Hex Thd Cut 1/4-20 x 1/2
32	532 17 34-36	Pulley Mandrel	159	872 14 06-14	Bolt Rdhd Sqnk 3/8-16 unc x 1-3/4
33	532 17 83-42	Nut 9/16 Toplock Flng Oil Dip	182	532 17 91-26	Rod Roller Nose
34	872 11 06-12	Bolt Rdhd 3/8-16 unc x 1-1/2 Gr. 5	183	532 16 35-52	Retainer Spring
36	532 17 34-38	Pulley Idler Flat	184	819 13 14-10	Washer 13/32 x 7/8 x 10 Ga.
40	873 90 06-00	Nut Lock Flg 3/8-16 unc	185	532 18 82-34	Head Asm. Cable Clutch
44	532 14 00-88	Guard Mandrel LH Black	--	532 13 07-94	Mandrel Asm Service (Includes Housing, Shaft and Shaft Hardware Only-Pulley Not Included)
45	532 12 47-88	Spring Retainer 1" Zinc/cad	--	532 16 95-83	Replacement Mower, Complete (Std. Deck - Order separately mulch cover and gauge wheel components key nos. 101-106 and 116-119, Nose Roller 91, 94, 95, 132, 182, and 183)
46	532 13 77-29	Screw Hex Thd Cut 1/4-20 x 5/8 T			
48	532 13 39-44	Washer Hardened Smaller			
52	532 13 98-88	Bolt Shoulder 5/16-18 unc Blkz			
53	532 18 49-07	Arm Asm Pad Brake			
54	532 17 85-15	Washer Hardened			
55	532 15 50-46	Arm Idler 42"mower LT/YT			
56	532 12 20-52	Spacer Retainer Mower			
59	532 14 10-43	Guard TUV Idler			
67	532 17 15-98	Knob			
68	532 14 49-59	V-Belt Mower 42"			
91	532 18 05-32	Bracket Roller Nose LH			

NOTE: All component dimensions given in U.S. inches
1 inch = 25.4 mm