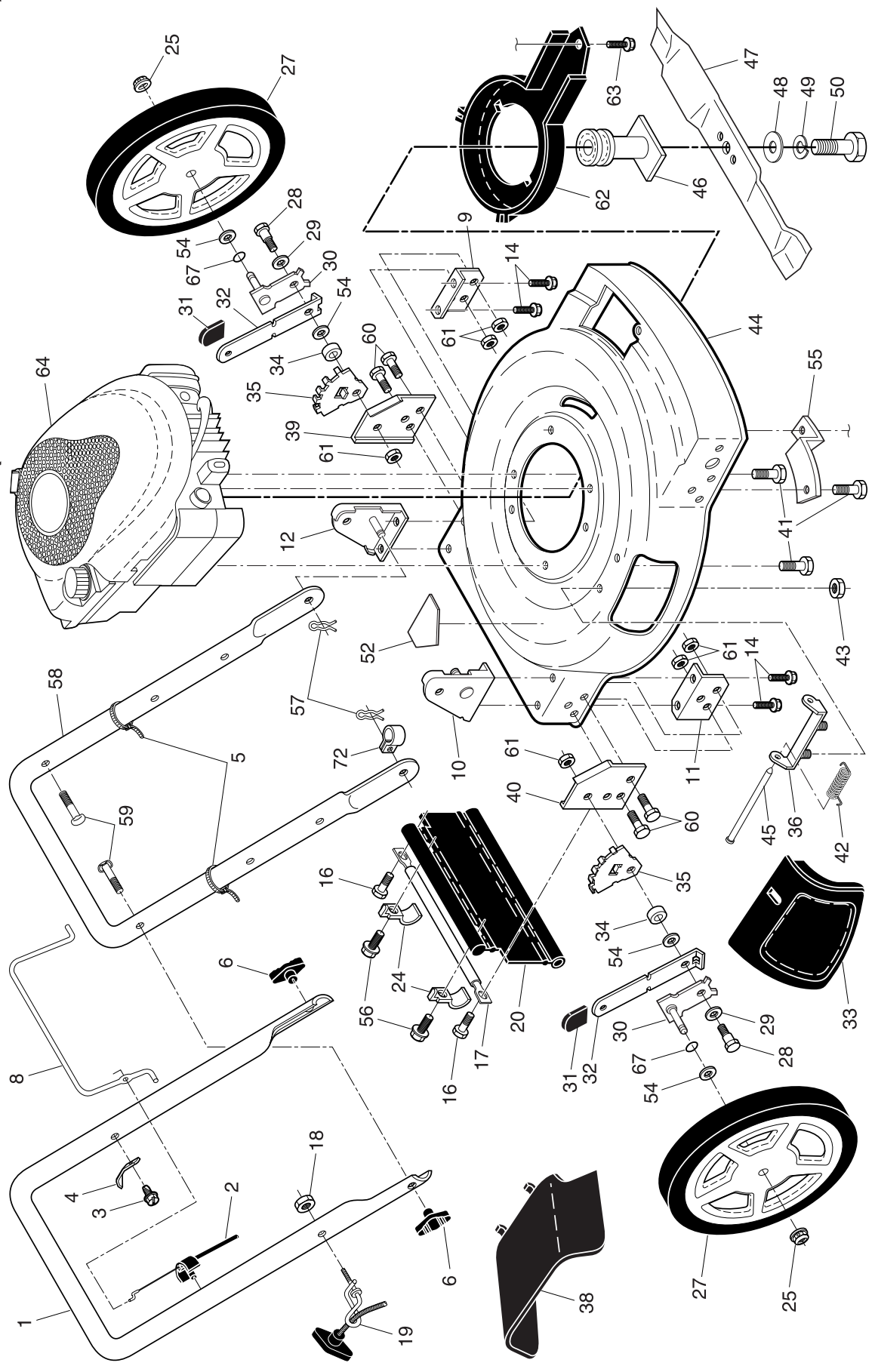


ROTARY LAWN MOWER -- MODEL NUMBER PR65Y22SHP (MFG. ID. NUMBER 96122001001)



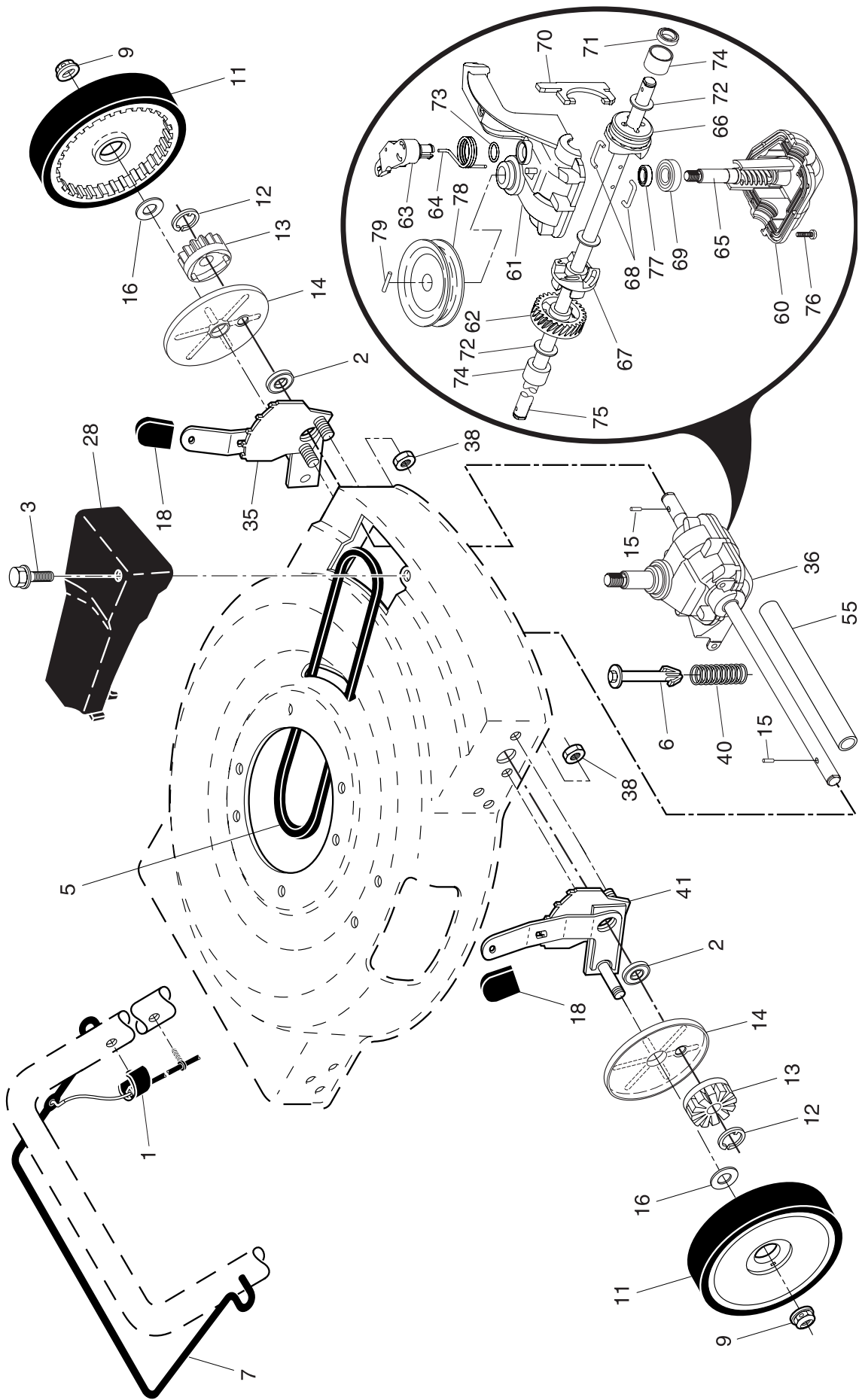
ROTARY LAWN MOWER - - MODEL NUMBER PR65Y22SHP (MFG. ID. NUMBER 96122001001)

KEY NO.	PART NO.	DESCRIPTION	KEY NO.	PART NO.	DESCRIPTION
1	194200X479	Upper Handle	40	193247X479	Support Bracket, RH
2	183567	Engine Zone Control Cable	41	150406	Screw, Hex Head, Threaded, Rolled 3/8-16 x 1-1/8
3	750634	Screw	42	152124	Spring, Torsion
4	850733X004	Bracket, Upstop	43	73800400	Locknut, Hex
5	66426	Wire Tie	44	194628	Lawn Mower Housing (Includes Key Number 46)
6	189713X428	Handle Knob	45	147286	Rod, Hinge
8	194199X428	Control Bar	46	189179	Blade Adapter / Pulley
9	153282X479	Support Bracket, Handle, LH	47	192682	Blade, 22"
10	170345X479	Handle Bracket Assembly, RH	48	851074	Washer, Hardened
11	153350X479	Support Bracket, Handle, RH	49	850263	Washer, Lock, Helical
12	170346X479	Handle Bracket Assembly, LH	50	851084	Screw, Hex Head 3/8-24 x 1-3/8 (Grade 8)
14	149741	Screw, Thread Cutting 5/16-18 x 3/4	52	404763	Decal, Danger
16	54583	Screw	54	88348	Washer, Flat 1/2
17	165175X479	Support Rod	55	188839X004	Mounting Bracket, Debris Shield
18	132004	Locknut, Keps	56	750097	Screw, Hex Washer Head #10-24 x 1/2
19	194788	Rope Guide	57	51793	Hairpin Cotter
20	189008	Rear Skirt	58	151590X479	Lower Handle
24	192301X004	Clamp, Rear Skirt	59	191574	Handle Bolt
25	145212	Locknut, Hex 3/18-16	60	74760612	Bolt
27	193906X421	Wheel & Tire Assembly, Rear, 12"	61	751592	Locknut, Hex
28	142748	Shoulder Bolt	62	188784	Debris Shield
29	61651	Belleville Washer	63	192325	Screw
30	180413X004	Axle Arm Assembly	64	- - -	Engine, Briggs & Stratton, Model Number 123K02 (For engine service and replacement parts, call Briggs & Stratton at 1-800-233-3723)
31	87877	Knob, Selector	67	197480	O-Ring
32	700331X004	Spring, Selector	72	197991	Clip, Cable
33	151889	Mulcher Door	- -	162300	Warning Decal (not shown)
34	146630	Spacer	- -	193733	Operator's Manual, English
35	750085X007	Bracket, Wheel Adjuster	- -	193736	Operator's Manual, French
36	154132	Bracket, Housing	- -	405106	Repair Parts Manual, English / French
38	176509	Deflector, Discharge			
39	193248X479	Support Bracket, LH			

NOTE: All component dimensions given in U.S. inches. 1 inch = 25.4 mm.

IMPORTANT: Use only Original Equipment Manufacturer (O.E.M.) replacement parts. Failure to do so could be hazardous, damage your lawn mower and void your warranty.

ROTARY LAWN MOWER -- MODEL NUMBER PR65Y22SHP (MFG. ID. NUMBER 96122001001)



ROTARY LAWN MOWER - - MODEL NUMBER PR65Y22SHP (MFG. ID. NUMBER 96122001001)

KEY NO.	PART NO.	DESCRIPTION	KEY NO.	PART NO.	DESCRIPTION
1	194653	Drive Control Cable Assembly	55	86012	Driveshaft Cover
2	88058	Bearing, Wheel Adjuster	60	183497	* Case, Lower
3	143603	Pan Head Tapping Screw #10-24 x 2-3/4	61	183498	* Case, Upper
5	146527	V-Belt	62	183499	Gear, 27 Teeth
6	150495	Spring Retainer	63	183500	Lever, Clutch
7	194185X428	Control Bar, Drive	64	183501	Spring, Return
9	83923	Locknut, Hex	65	183502	Shaft, Input
11	193912X421	Wheel & Tire Assembly, Front, 8"	66	183503	Dog, Movable
12	12000058	E-Ring	67	183504	Dog, Fixed
13	750003	Pinion	68	183505	Wire, Formed
14	189403	Dust Cover	69	183506	Bearing, Ball
15	191017	Pawl, Drive	70	183507	Fork, Shift
16	67725	Washer	71	183508	Seal, Output Shaft
18	87877	Selector Knob	72	183509	Washer
28	194398X428	Drive Cover	73	183510	Seal, Case
35	195110	Kit, Wheel Adjuster, LH (Includes Knob and Bearing)	74	183511	Bushing
36	199206	Gear Case Assembly, Complete	75	196561	Shaft, Output
38	73800400	Locknut, Hex 1/4-20	76	183513	Screw
40	137090	Spring	77	183514	Seal, Input Shaft
41	195107	Kit, Wheel Adjuster, RH (Includes Knob and Bearing)	78	199852	Pulley, Drive
			79	199419	Pin, Retainer

* Use Dow Corning #709 to reseal.

NOTE: All component dimensions given in U.S. inches. 1 inch = 25.4 mm.

IMPORTANT: Use only Original Equipment Manufacturer (O.E.M.) replacement parts. Failure to do so could be hazardous, damage your lawn mower and void your warranty.