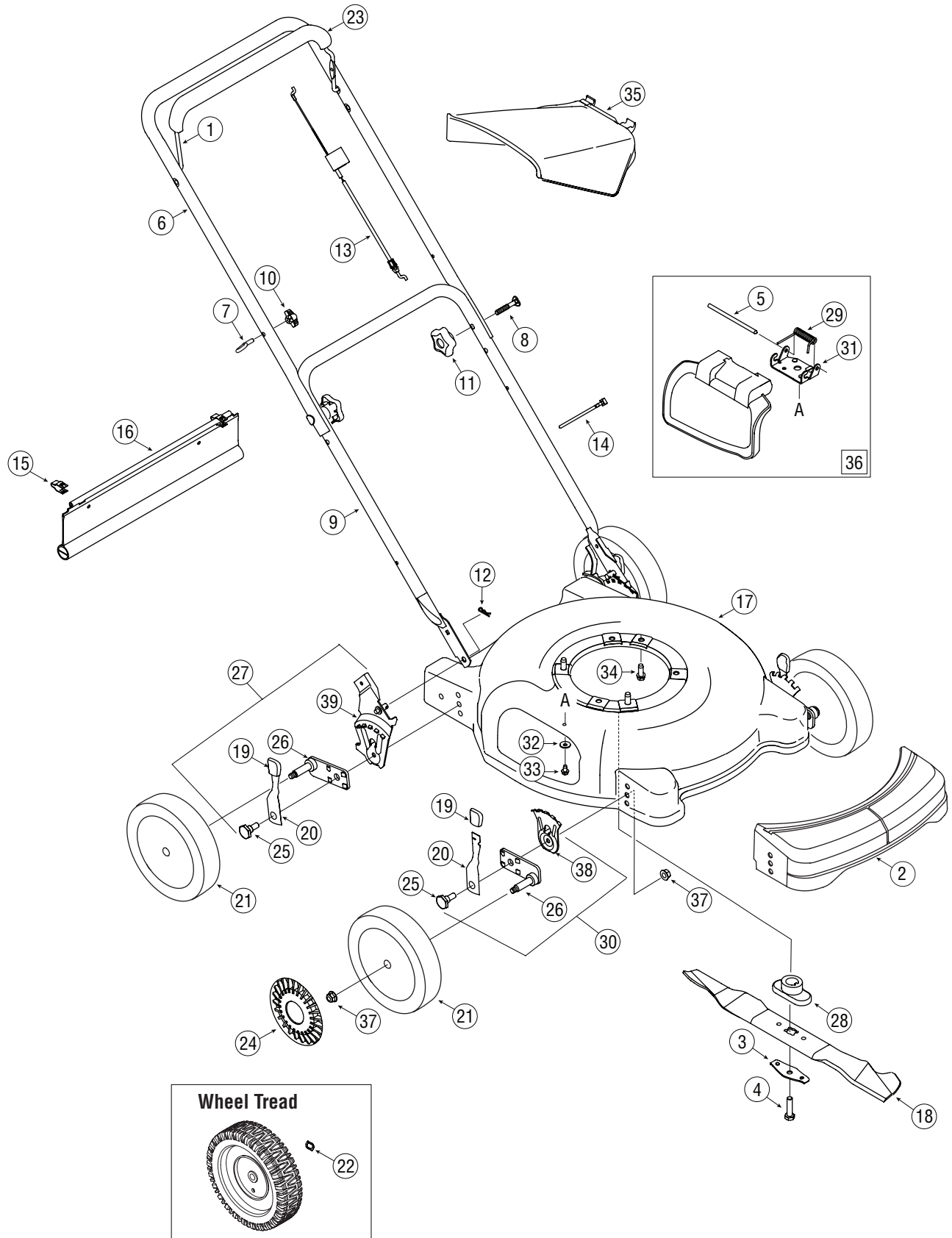


Model Series 100



Ref.	Part No.	Description
1	747-1161A	Blade Control
2	731-1948A	Front Cover
3	736-0524B	Blade Bell Support
4	710-1044	Hex Bolt
5	747-0710	Hinge Pin
6	749-1092A	Upper Handle
7	710-1205	Rope Guide
8	710-1174	Carriage Bolt
9	749-0928A	Lower Handle
10	720-0279	Wing Nut
11	720-04072	Star Knob
12	714-0104	Hairpin Clip
13	746-0550	Control Cable, 39"
14	726-0240	Cable Tie
15	17098	Hinge Clip
16	731-04019	Trail Shield
17	682-0139	20" Cutting Deck Assembly
18	742-0740	20" Mulching Blade
19	720-0426	Height Adjustment Knob
20	732-0404	Spring Lever
21	734-2004A	Wheel Assembly, 8 x 2.125
22	736-0504	Wave Washer
23	731-04859	Snap-On Bail Cover

Ref.	Part No.	Description
24	731-0981A	Hubcap
25	738-0507B	Shoulder Bolt
26	687-02077A	Pivot Arm Assembly - RH Front
		Pivot Arm Assembly - LH Rear
	687-02076A	Pivot Arm Assembly - LH Front
		Pivot Arm Assembly - RH Rear
27	687-02106	Handle Bracket Assembly RH
	687-02107	Handle Bracket Assembly LH
28	748-0376C	Blade Adapter
29	732-0731	Torsion Spring
30	687-02075A	Height Adjust. Assembly LH
	687-02074A	Height Adjust. Assembly RH
31	782-7006	Mounting Bracket
32	736-0270	Bell Washer
33	710-0599	Hex Washer Hd. TT Screw
34	710-0654A	TT Sems Screw
35	731-1409B	Chute Deflector
36	682-7002	Mulching Plug Assembly
37	712-04065	Hex Lock Nut
38	787-01290	Height Adjustment Plate
39	687-02180	Handle Bracket - RH
	687-02179	Handle Bracket - LH