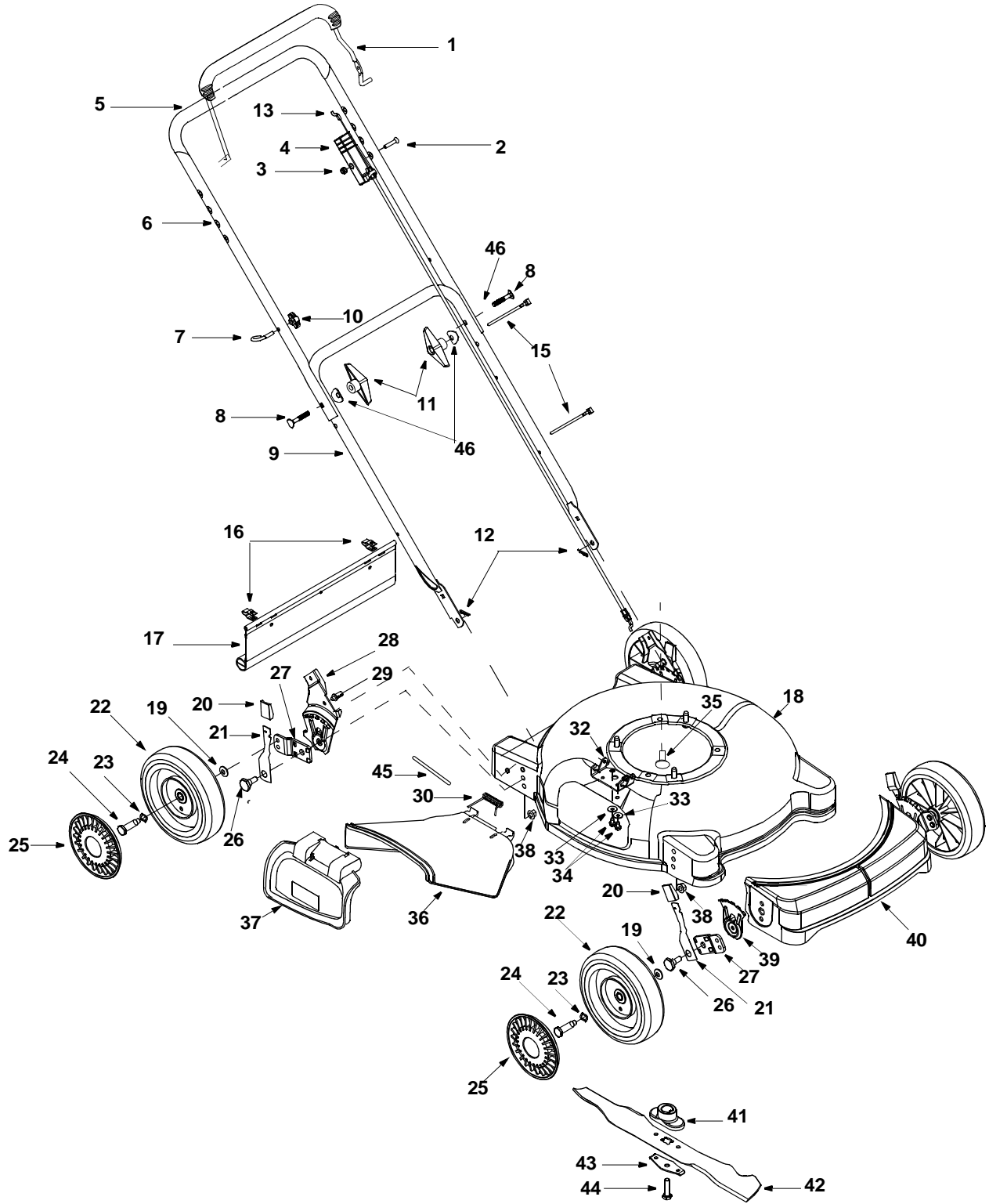


PARTS LIST MODEL 11A-106



Model 106

Ref. No.	Part No.	Description	Ref. No.	Part No.	Description
1.	647-04014	ControlHandle Assembly	26.	738-0507B	ShoulderBolt
2.	710-1270	OvalC-Sunk Screw	27.	15262B	PivotBar
3.	712-0324	HexLockNut	28.	682-3024	HandleBracketAssy.RH
4.	746-0883	ControlHousing		682-3025	HandleBracketAssy.LH*
5.	720-0295	Foam Grip	29.	738-0585	Stake Bolt
6.	749-0705A	UpperHandle	30.	732-0731	Torsion Spring
7.	710-1205	Rope Guide	31.	14578	HeightAdjust.Assembly RH
8.	710-1174	Carriage Bolt		14579	HeightAdjust.Assy.LH*
9.	749-0928A	LowerHandle	32.	782-7006	Mounting Bracket
10.	720-0279	WingNut	33.	736-0270	BellWasher
11.	720-0284	Hand Knob	34.	710-0599	Hex WasherHd.TT Screw
12.	714-0104	Hairpin Clip	35.	710-0654A	TT Sems Screw
13.	746-0554	ControlCable 40.5"	36.	731-1409	Chute Deflector
15.	726-0240	Cable Tie	37.	682-7002	Mulching Plug Assembly
16.	17098	Hinge Clip	38.	712-0431	Hex Lock Nut
17.	731-0872A	TrailShield	39.	15261A	HeightAdjustmentPlate
18.	682-0139	Cutting Deck Assembly:20"	40.	731-1949	Cover:FrontEnd
19.	736-0105	BellWasher	41.	748-0376C	Blade Adapter
20.	720-0426	Knob:HeightAdjustment		753-0588	Blade AdapterKit
21.	732-0404	Lever:Spring	42.	742-0740	20"Mulching Blade
22.	734-2004A	WheelAssembly	43.	736-0524A	Blade BellSupport
23.	736-0504	W ave Washer	44.	710-1044	Hex Bolt
24.	738-0102	Axle Bolt	45.	747-0710	Hinge Pin
25.	731-0981A	Hubcap:RadialSpoke	46.	736-0451	Saddle Washer

*Not shown in Illustration on previous page

NOTE: For **painted parts**, please refer to the list of color codes below. Please add the applicable color code, wherever needed, to the part number to order a replacement part. For instance, if a part numbered 700-xxxx is painted Red, the part number to order would be 700-xxxx-0638.

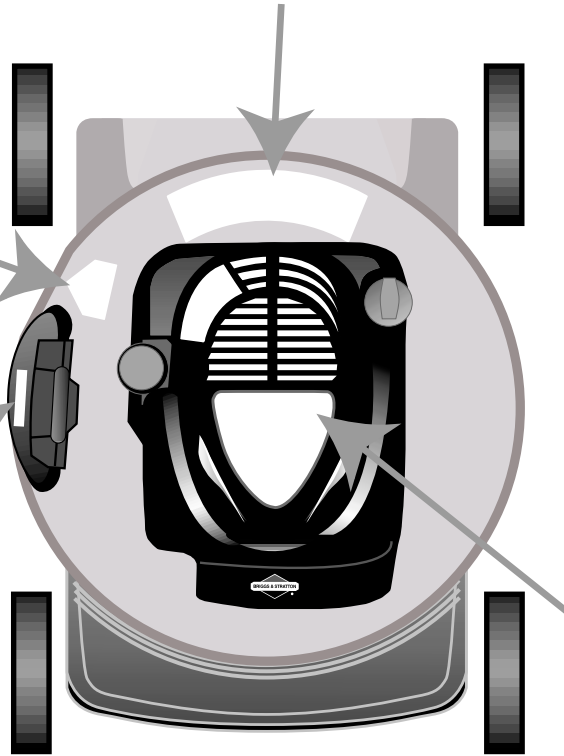
Red:0638;Black:0637

Safety & Decorative Labels Location 106

(MODEL PLATE
ON LEFT SIDE)



777S30108
ON SIDE
DISCHARGE DOOR



777D06000

