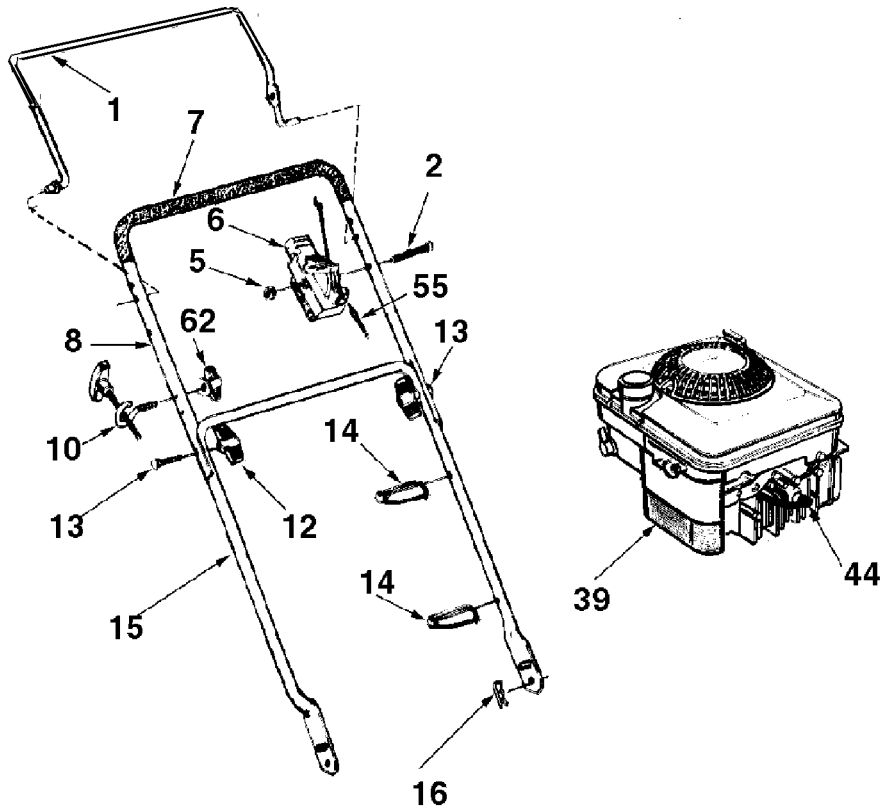
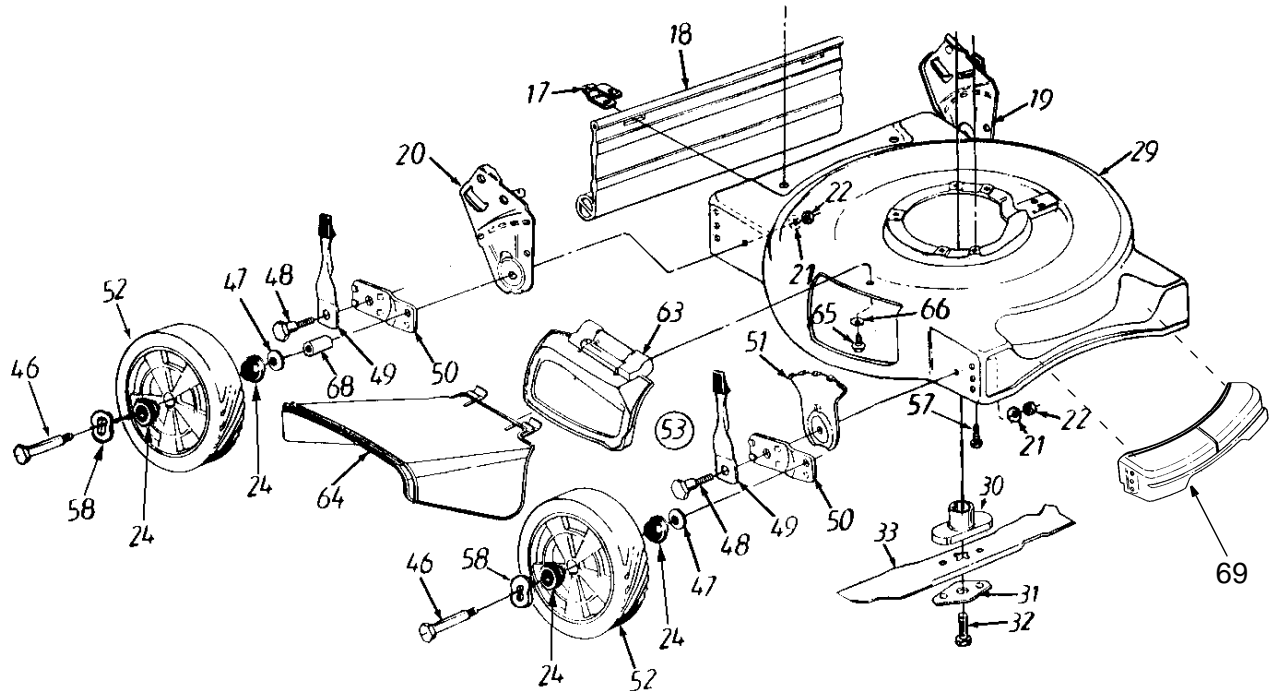


## SECTION 12: PARTS LIST MODEL 106



Ref. No.	Part No.	Code	Description
1	747-0824		Control Handle Ass'y.
2	710-1270		Oval C-Sunk Screw
5	712-0324		Hex Lock Nut
6	746-0883		Control Housing
7	720-0295		Foam Grip
8	749-0705		Upper Handle
10	710-1205		Rope Guide
12	720-0276		Hand Knob
13	710-1174		Carriage Bolt
14	726-0240		Cable Tie
15	749-0928		Lower Handle
16	714-0104		Hairpin Clip
39	—		Engine
44	735-0639		Spark Plug Boot
55	746-0550		Control Cable
62	720-0279		Handle Knob
—	777S30118		Danger Label (Cut Hand)
—	777S30143		Danger Label
—	777S30108		Discharge Door Label

# Model 106



Ref. No.	Part No.	Code	Description	Ref. No.	Part No.	Code	Description
17	17098		Hinge Clip	50	15262B		Pivot Bar
18	731-0872A		Rear Flap	51	15261A		Height Adj. Plate
19	682-3025		Handle Bracket Ass'y LH	52	734-1978		Wheel Assembly
20	682-3024		Handle Bracket Ass'y RH	53	14578		Height Adj. Ass'y. Comp. R.F.
21	736-0356		Bell Washer .39" ID x 1.38"		14579		Height Adj. Ass'y. Comp. L.F.
22	712-0798		Hex Nut 3/8-16 Thd.	57	710-0654A		Hex L-Wash. Hd. Scr.3/8-16 x 1.0" Lg.
23	731-1426		Hub Cap: Yellow	58	736-0504		Wave Washer
24	741-0484		Bearing	63	682-7002		Mulching Plug
29	682-0025B-0665		Deck Assembly	64	731-1409		Chute Deflector
30	753-0588		Blade Adapter Kit	65	710-0599		Hex Wash. Hd. TT Screw 1/4-20 x .5" Lg.
31	736-0524A		Blade Bell Support	66	736-0270		Bell Washer
32	710-1044		Hex Bolt 7/16-20 x 1.5"	66	710-0599		Hex Wash. Hd. TT Screw 1/4-20 x .5" Lg.
33	742-0740		20" Mulch Blade	69	731-1933		Cover: Front End
46	738-0102		Axle Bolt	—	731-1426		Hub Cap (Not Shown)
47	736-0105		Bell Washer .400" ID x .88"				
48	738-0507B		Shoulder Bolt				
49	14832		Spring Lever Assy. w/ Knob				