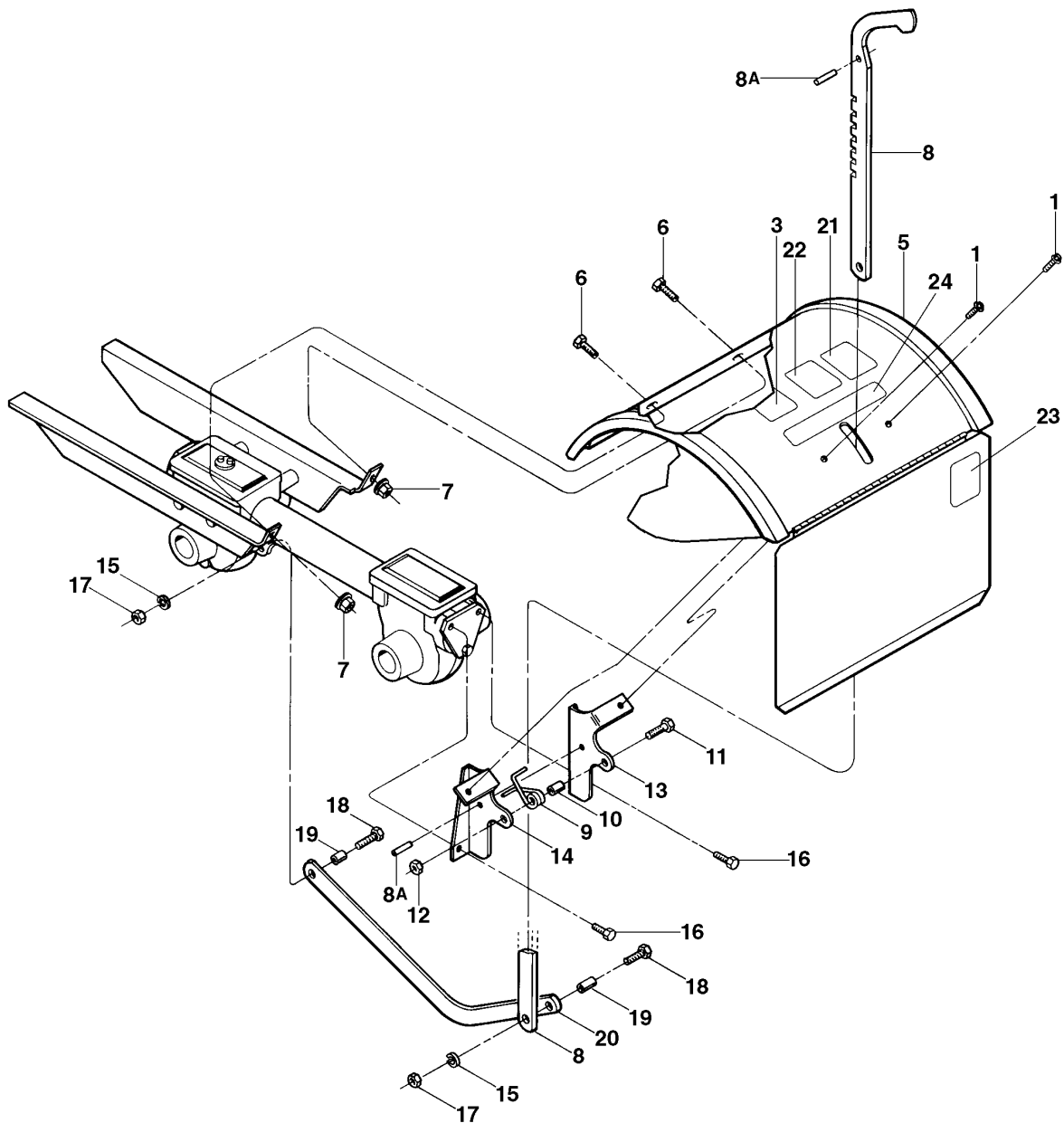


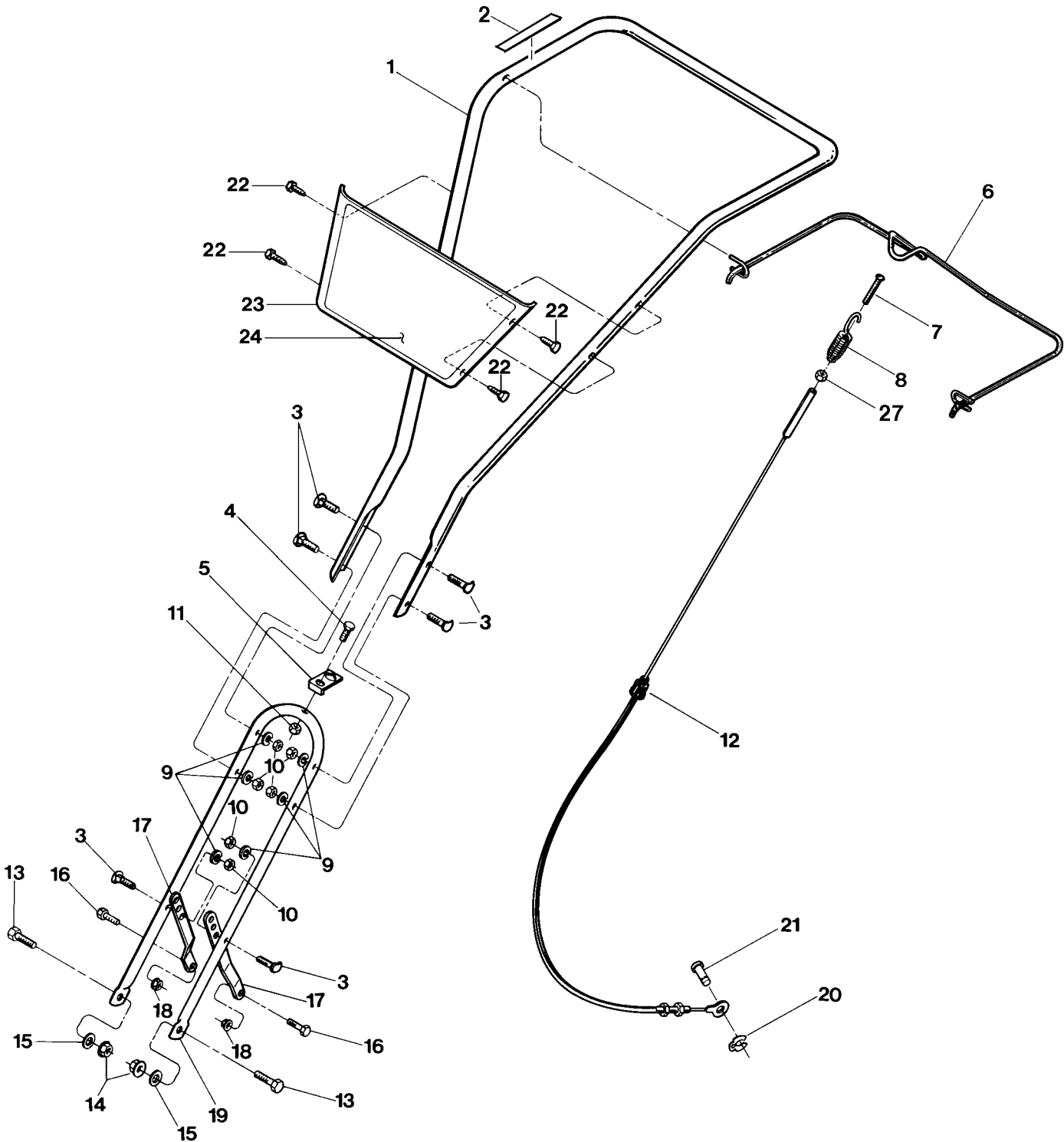
DRAWING NO. 1



REF. No.	PART No.	DESCRIPTION	QTY.
1	9552	Hex Hd. Flange Screw, Self-Tapping, 1/4-20 x 1/2	2
3	1916417	Decal - Read Owner's Manual	1
5	1918705	Tine Hood (Incl. tine flap and Ref. 3)	1
6	1100088	Hex Hd. Screw, 5/16-18 x 1/2	2
7	1186391	Hex Flange Lock Nut, 5/16-18	2
8	1916118001	Depth Regulator Lever	1
8A	9308	Spirol Pin	2
9	9384	Spring, Depth Regulator	1
10	9534	Spacer	1
11	1100069	Hex Hd. Screw, 1/4-20 x 1	1
12	9811	Hex Lock Nut, 1/4-20	1

REF. No.	PART No.	DESCRIPTION	QTY.
13	1916119001	Hood Bracket, Right Hand	1
14	1916120001	Hood Bracket, Left Hand	1
15	11000242	Lock washer, 5/16	2
16	1186331	Hex Hd. Flange Screw, 5/16-18 x 1	2
17	1186230	Hex Nut, 5/16-18	2
18	1100808	Hex Hd. Screw, 5/16-18 x 1-1/4	2
19	55088	Bushing	2
20	1916121001	Drag Bar	1
21	1916418	Decal - Thrown Objects	1
22	1916420	Decal - Safe Maintenance	1
23	1916423	Decal - Tine Warning	1
24	1918337	Decal - Logo	1

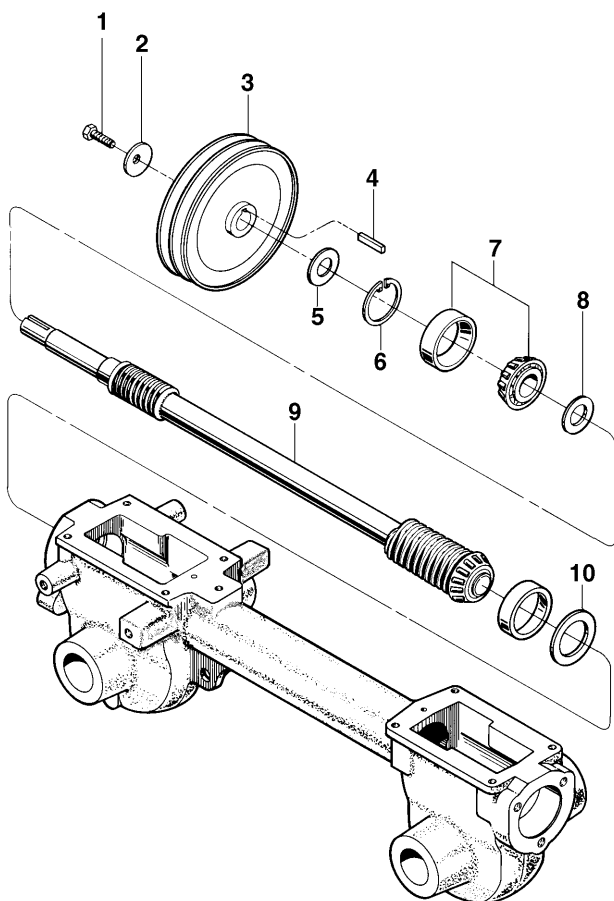
DRAWING NO. 2



PARTS LIST - DRAWING NO. 2

REF. No.	PART No.	DESCRIPTION	QTY.	REF. No.	PART No.	DESCRIPTION	QTY.
1	55104	Upper Handlebar (Incl. Ref. 2)	1	14	9837	Hex Lock Nut, 3/8-16.....	2
2	1916928	Decal, Forward Clutch Bail	1	15	1107383	Flat Washer, 3/8	2
3	1100799	Hex Hd. Screw, 5/16-18 x 1-1/2	6	16	1100044	Hex Hd. Screw, 5/16-18 x 3/4.....	2
4	1100806	Hex Hd. Screw, 1/4-20 x 1-1/4	1	17	1916107001	Handlebar Support	2
5	55044	Bracket, Forward Clutch Cable.....	1	18	1110107	Hex Lock Nut, 5/16-18.....	2
6	1916106001	Bail, Forward Clutch	1	19	1916108001	Lower Handlebar	1
7	9855	Screw, #10-24 x 2	1	20	9386	Klip Ring.....	1
8	1916712	Spring, Forward Clutch.....	1	21	9856	Clevis Pin.....	1
9	1100242	Lock Washer, 5/16	6	22	9552	Hex Screw, 1/4-20 x 1/2, Self-Tap	4
10	1186230	Hex Lock Nut, 5/16-18.....	6	23	1901273010	Panel	1
11	9811	Hex Lock Nut, 1/4-20.....	1	24	1918704	Decal, Model Name/Logo	1
12	55048	Cable Ass'y, Forward Clutch	1	27	1186227	Hex Nut, #10-24	1
13	1100068	Hex Hd. Screw, 3/8-16 x 3/4.....	2				

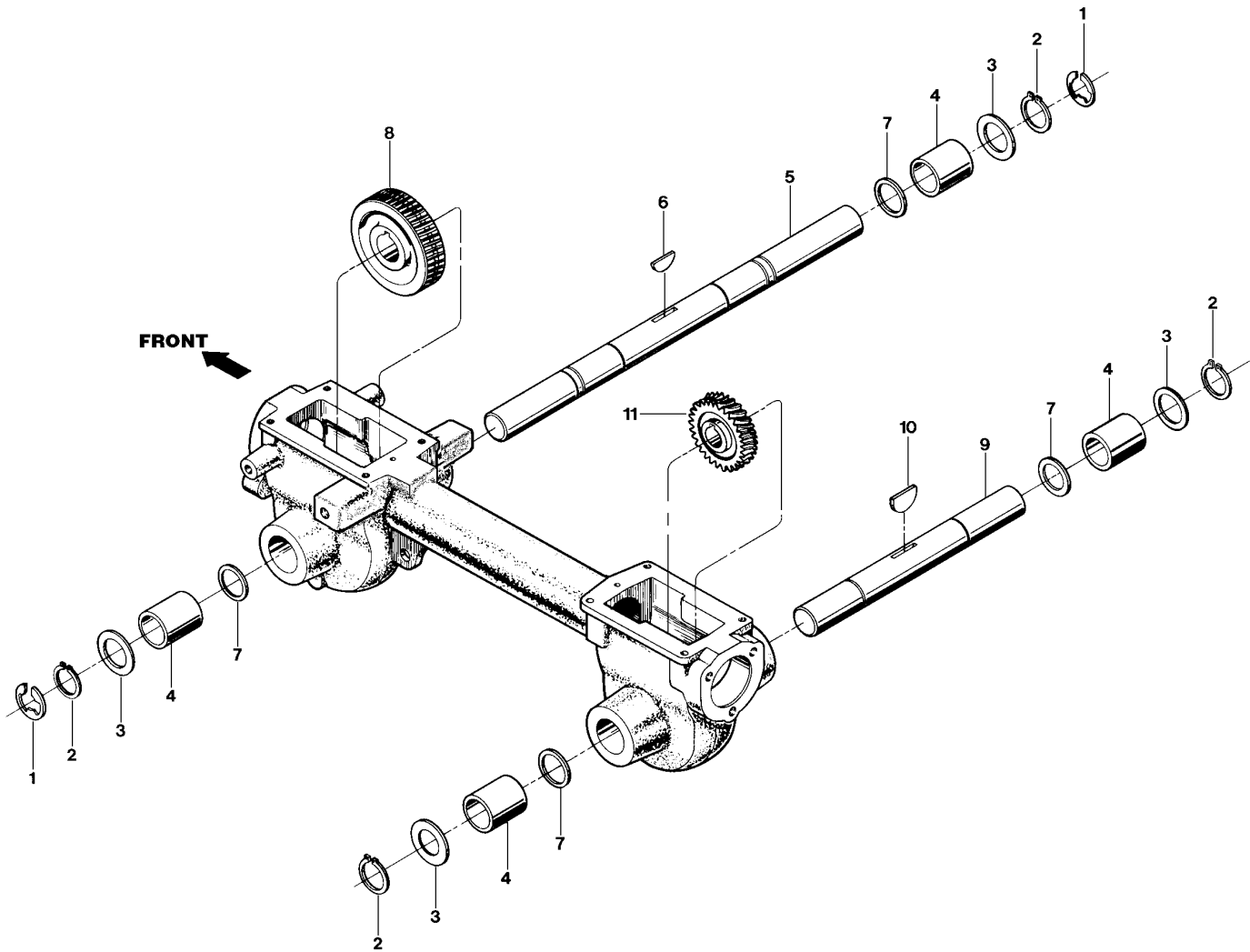
PARTS LIST - DRAWING NO. 3



REF. No.	PART No.	DESCRIPTION	QTY.
1	1100005	Hex Screw, 5/16-24 x 1, Grade 5	1
2	9944	Belleville Washer	1
3	1916532	Transmission Pulley	1
4	9301	Key, Transmission Pulley, 3/16 x 1	1
5	50027	Support Washer, Front	1
6	9517	Snap Ring.....	1
7	1714	Bearing, Tapered Roller (with race).....	2
8	50043	Support Washer, Rear	1
9	1904281	Drive Shaft Ass'y	1
10	1224-1	Shim, Rear Bearing Cap, .010" thick	A/R
	1224-2	Shim, same as above, except .030" thick	A/R
	1224-3	Shim, same as above, except .005" thick.....	A/R
	1224-4	Shim, same as above, except .062" thick.....	A/R
	1325C	Shim Set (Incl. the following shims: two #1224-1, two 1224-2, one 1224-3, and one #1224-4)	A/R

A/R – As Required

DRAWING NO. 4

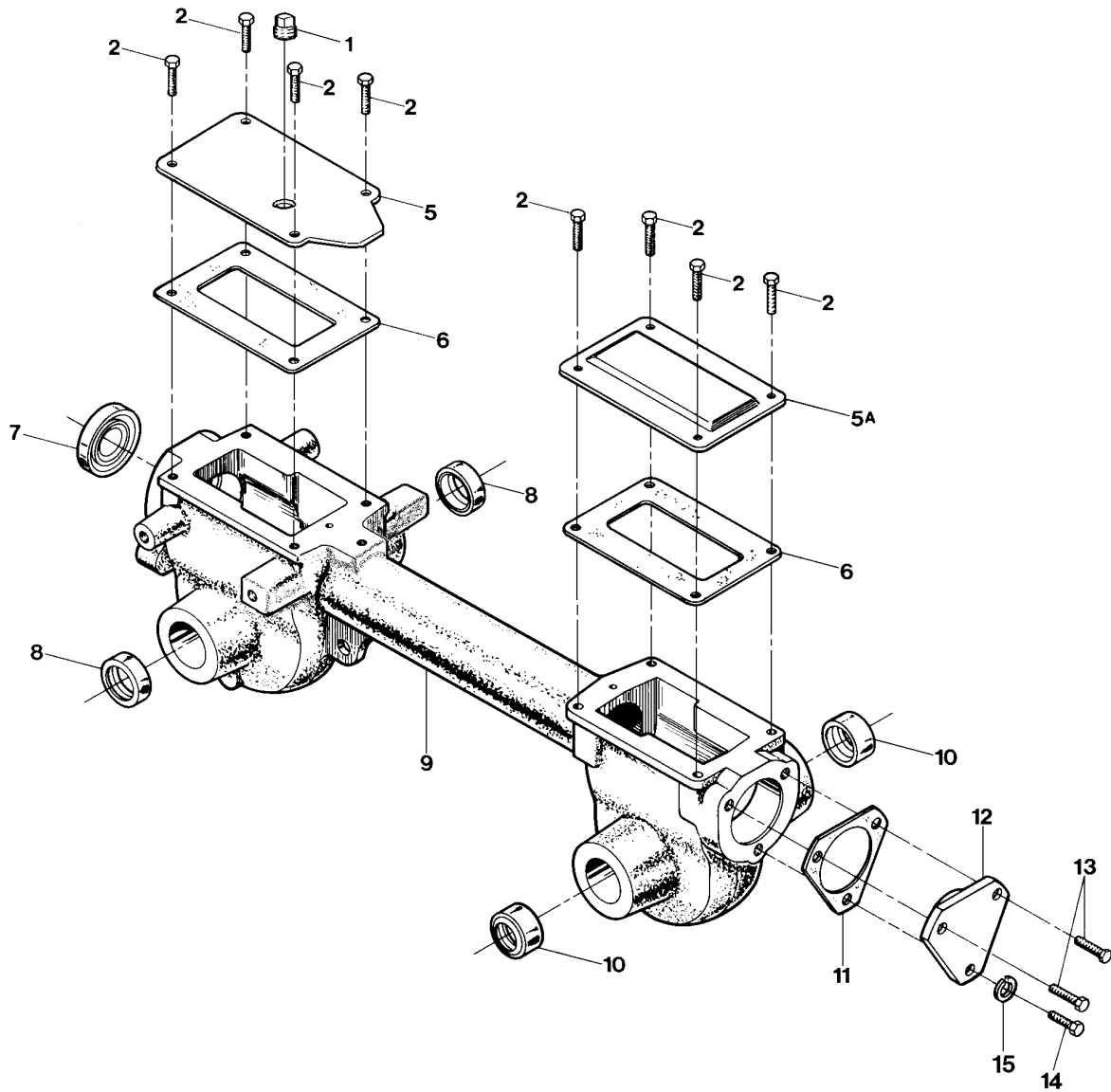


REF. No.	PART No.	DESCRIPTION	QTY.
1	9512	Retainer, Snap Ring, "E" Type.....	2
2	9511	Retainer, Snap Ring	4
3	1166-1	Shim, 0.062" thick	A/R
	1166-2	Shim, 0.030" thick	A/R
	1166-3	Shim, 0.015" thick	A/R
	1166-4	Shim, 0.010" thick	A/R
	1166-5	Shim, 0.005" thick	A/R
4	1086	Bronze Bushing	4

REF. No.	PART No.	DESCRIPTION	QTY.
5	1916741	Wheel Shaft	1
6	9305	Key, Hi-Pro, 1/4 x 1	1
7	1132-2	Spacer	4
8	1904278	Worm Gear, Wheel Shaft.....	1
9	1915074	Tiller Shaft.....	1
10	1104	Woodruff Key	1
11	1904279	Worm Gear, Tiller Shaft.....	1

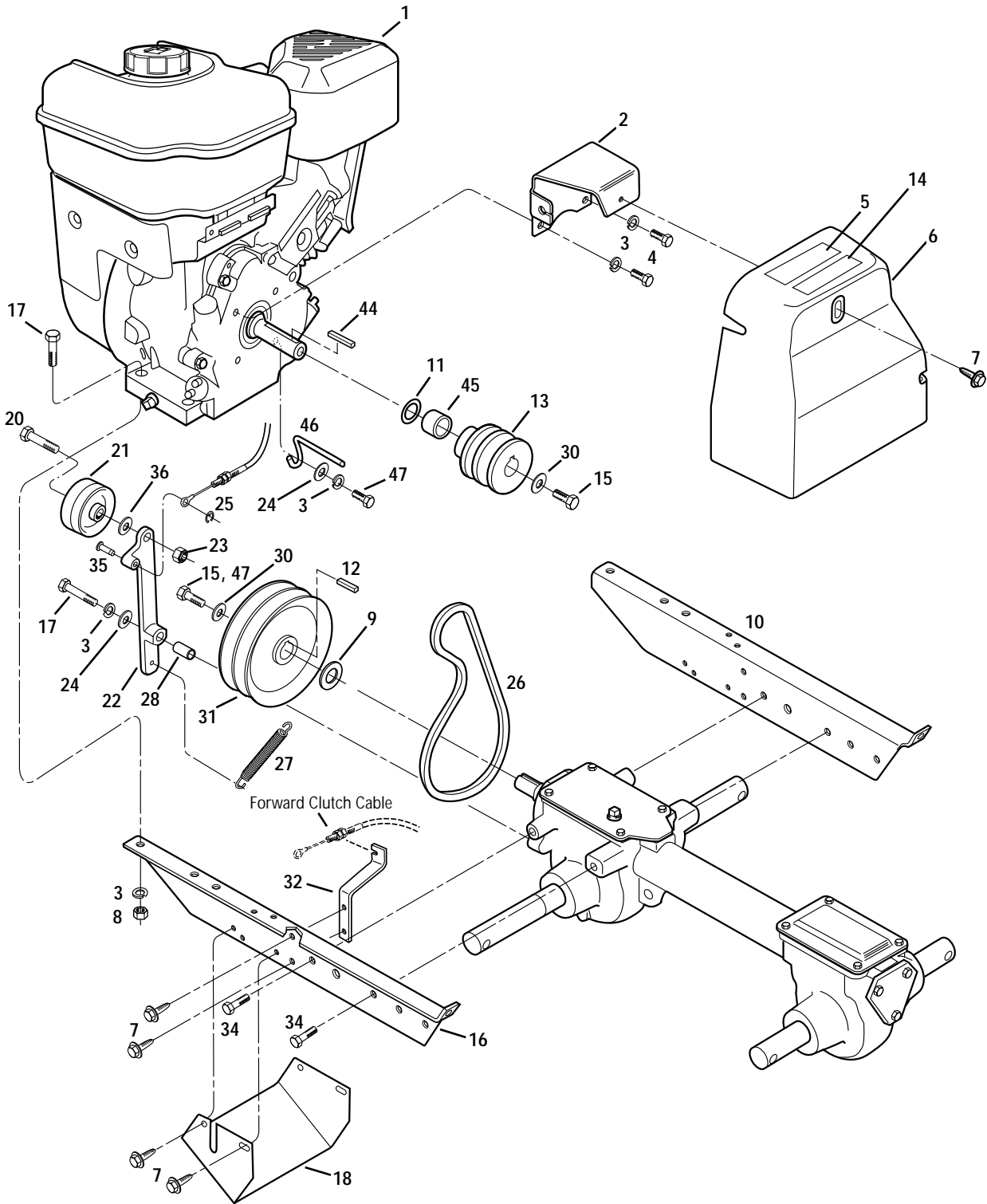
A/R – As Required

DRAWING NO. 5



REF. No.	PART No.	DESCRIPTION	QTY.	REF. No.	PART No.	DESCRIPTION	QTY.
1	9727	Plug, Transmission Oil Fill	1	9	1915084010	Transmission Housing Ass'y.....	1
2	1186328	Hex Hd. Flange Screw, 5/16-18 x 5/8, Grade 5	8	10	1909374	Oil Seal, Tine Shaft	2
5	1916641001	Front Cover, Transmission.....	1	11	55011-1	Bearing Cap Gasket, .010" thick	1
5A	50074	Rear Cover, Transmission.....	1		55011-2	Bearing Cap Gasket, .030" thick	1
6	50032	Gasket, Housing Cover.....	2	12	1916111001	Rear Bearing Cap	1
7	9617	Oil Seal, Drive Shaft	1	13	1186331	Hex Hd. Flange Screw, 5/16-18 x 1	2
8	9621	Oil Seal, Wheel Shaft.....	2	14	1100044	Hex Hd. Flange Screw, 5/16-18 x 3/4..	1
				15	1100242	Lock Washer, 5/16.....	1

DRAWING NO. 6



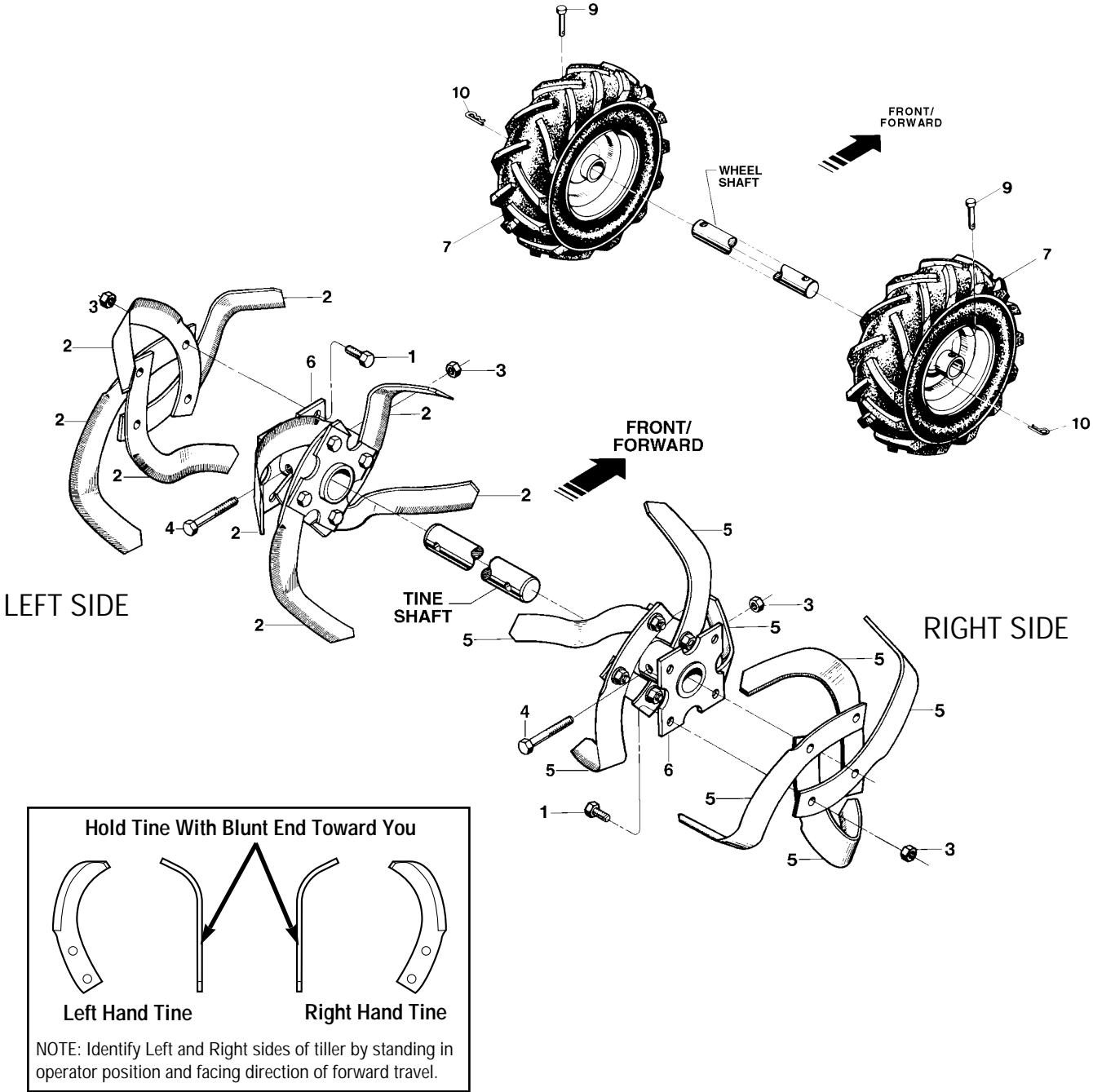
PARTS LIST - DRAWING NO. 6

REF. No.	PART No.	DESCRIPTION	QTY.	REF. No.	PART No.	DESCRIPTION	QTY.
1	*	Engine, Recoil Start.....	1	21	9090	Forward Idler Pulley.....	1
2	1917326001	Bracket, Belt Cover.....	1	22	1916116001	Forward Idler Lever.....	1
3	1100242	Lock Washer, 5/16.....	8	23	1110108	Lock Nut, 3/8-16.....	1
4	1111696	Hex Hd. Screw, 5/16-24 x 1/2.....	2	24	1107382	Flat Washer.....	2
5	1916419	Decal, Hot Surfaces Warning.....	1	25	9386	Klip Ring.....	1
6	1917128	Belt Cover (Incl. Ref. 5).....	1	26	55037	Forward Drive Belt.....	1
7	9552	Hex Hd. Flange Screw, Self-Tapping, 1/4-20 x 1/2.....	7		1916657	Forward Drive Belt.....	1
8	1186230	Hex Nut, 5/16-18.....	4	27	55034	Forward Return Spring.....	1
9	50027	Support Washer.....	1	28	55033	Bushing, Forward Idler Lever.....	1
10	1916795001	Engine Bracket, Right.....	1	30	9944	Belleville Washer.....	1
11	1138-2	Shim.....	A/R	31	1916532	Transmission Pulley.....	1
12	9301	Key, 3/16" x 1".....	1	32	1916117001	Bracket, Cable Mounting.....	1
13	1916531	Pulley, Engine Drive.....	1	34	1186328	Hex Hd. Screw, 5/16-18 x 5/8.....	4
14	1916421	Decal.....	1	35	9856	Clevis Pin.....	1
15	1100005	Hex Hd. Screw, 5/16-24 x 1.....	2	36	1107383	Flat Washer, 3/8.....	1
16	1916794001	Engine Bracket, Left.....	1	44	1108841	Key, 3/16" x 1-1/2".....	1
17	1100799	Hex Hd. Screw, 5/16-18 x 1-1/2.....	5	45	55036	Spacer.....	1
18	1916652001	Guard, Belts/Pulleys.....	1	46	55039	Forward Belt Guide.....	1
20	9558	Hex Hd. Screw, 3/8-16 x 1-1/2.....	1	47	1100004	Hex Hd. Screw, 5/16-24 x 3/4.....	2

A/R – As Required

* Contact your local authorized engine service dealer for engine parts and service. Refer to your engine nameplate for engine model/type number.

DRAWING NO. 7



PARTS LIST - DRAWING NO. 7

REF. No.	PART No.	DESCRIPTION	QTY.	REF. No.	PART No.	DESCRIPTION	QTY.
1	9711	Hex Hd. Screw, 3/8-16 x 1, Grade 5	16	5	50049-02	Bolo Tine - Left Hand. Single tine used on right side of tiller. (Incl. two each Refs. 1 & 3)	8
2	50049-01	Bolo Tine - Right Hand. Single tine used on left side of tiller. (Incl. two each Refs. 1 & 3)	8	6	1916747001	Tine Holder	2
3	1733398	Hex Lock Nut, 3/8-16	18	7	1917486	Wheel & Tire Ass'y.	2
4	9555	Hex Hd. Screw, 3/8-16 x 1-3/4	2	9	9380	Clevis Pin, .312" x 1-3/4"	2
----	1901	Bolo Tine Replacement Set (Incl. eight right hand tines, eight left hand tines and required hardware	1	10	9338	Hair Pin Cotter	2