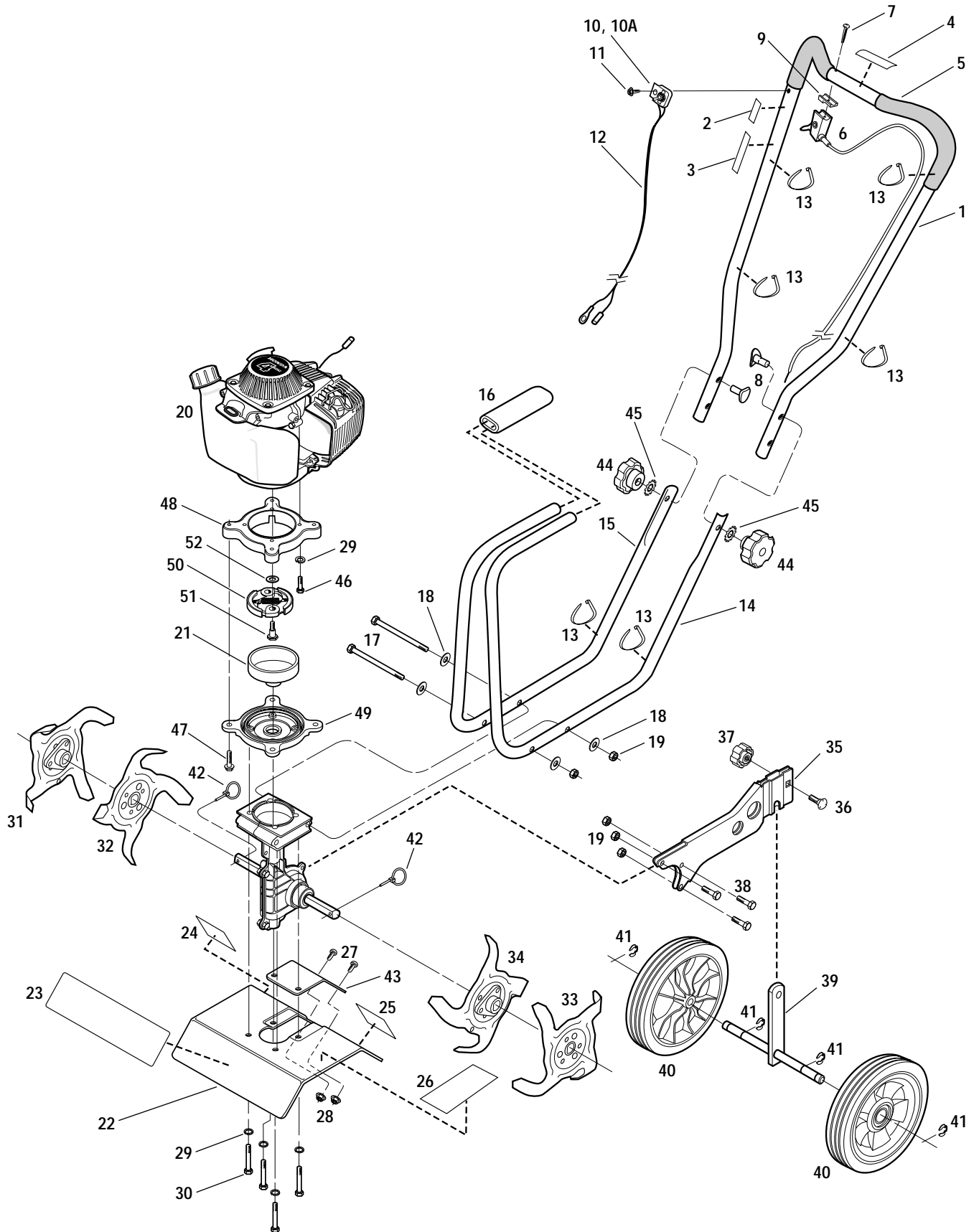


TRANSMISSION ASSEMBLY

| Ref. # | Part # | Description | Qty. |
|--------|---------|---|------|
| 1 | 1915039 | Transmission Case - left-side. (Incl. pressed-in bushing) | 1 |
| 2 | 1915040 | Transmission Case - right-side. (Incl. pressed-in bushing) | 1 |
| 3 | 1983632 | Oil Seal | 2 |
| 4 | 1918308 | Worm Input Shaft Assembly | 1 |
| 5 | 1983731 | Input Bearing | 2 |
| 6 | 1983636 | Thrust Bearing | 1 |
| 7 | 1983637 | Ball Bearing | 1 |
| 8 | 1904416 | Shaft Assembly. (Incl. pressed-on worm gear and two ring lock pins) | 1 |
| 9 | 1909923 | Oil Seal, Input | 1 |
| 10 | 1185741 | Plug, 1/8 | 3 |
| 11 | 1111600 | Hex Screw, 1/4-20 x 7/8 (five locations, identified as "A" on transmission case) | 5 |

| Ref. # | Part # | Description | Qty. |
|--------|---------|--|------|
| 12 | 1100069 | Hex Screw, 1/4-20 x 1 (three locations, identified as "B" on transmission case) | 3 |
| 13 | 1817146 | Locknut, Nyloc, 1/4-20 | 8 |
| 14 | 1983635 | Thrust Washer, Output (.050") | A/R |
| 15 | 1983640 | Thrust Washer, Output (.040") | A/R |
| 16 | 1983641 | Thrust Washer, Input (.020") | A/R |
| 17 | 1983642 | Thrust Washer, Input (.035") | A/R |
| 18 | 1983638 | Thrust Washer | 2 |
| 19 | 1107381 | Flat Washer, 1/4 | 2 |
| 20 | 1983663 | Hex Hd. Screw, 1/4-20 x 5 | 2 |
| 21 | 1747166 | Set Screw, 1/4-28 x 3/8 | 4 |
| 22 | 1915055 | Dust Cover | 2 |
| 23 | 1918052 | Oil Seal, Input | 1 |
| 24 | 1983713 | Felt Washer | 2 |

A/R – As Required



| Ref. # | Part # | Description | Qty. | Ref. # | Part # | Description | Qty. |
|--------|------------|---|------|-----------------------------|------------|---|------|
| 1 | 1918087 | Handlebar Assy. (Incl. Refs. 2, 3, 4 & 5)..... | 1 | 29 | 1100241 | Lock Washer, 1/4-20..... | 8 |
| 2 | 1909936 | Decal - On/Off Ignition Switch..... | 1 | 30 | 1100807 | Hex Cap Screw, 1/4-20 x 2..... | 4 |
| 3 | 1909939 | Decal - Starting Stabilization..... | 1 | 31 | 1909540 | Outer Tine - Right-Hand Side..... | 1 |
| 4 | 1918221 | Decal - Throttle/Tines Control Lever Operation | 1 | 32 | 1909539 | Inner Tine - Right-Hand Side | 1 |
| 5 | 1917451 | Handlebar Grip, PVC | 2 | 33 | 1909712 | Outer Tine - Left-Hand Side | 1 |
| 6 | 1917755 | Throttle Lever and Cable | 1 | 34 | 1909711 | Inner Tine - Left-Hand Side..... | 1 |
| 7 | 1750608 | Pan Hd. Screw, #10-16 x 1-1/2..... | 1 | 35 | 1909680001 | Wheel Bracket..... | 1 |
| 8 | 1731025 | Saddle Hd. Screw, 5/16-18 x 2 | 2 | 36 | 90077 | Carriage Bolt | 1 |
| 9 | 1909775 | Spacer, Throttle Lever | 1 | 37 | 1909835 | Knob | 1 |
| 10 | 1983718 | On/Off Ignition Switch..... | 1 | 38 | 1100069 | Hex Hd. Screw, 1/4-20 x 1 | 3 |
| 10A | 1981012001 | Bracket - On/Off Ignition Switch | 1 | 39 | 1909517001 | Axle..... | 1 |
| 11 | 1766503 | Phillips Hd. Screw, #12-24 | 1 | 40 | 1909853 | Wheel..... | 2 |
| 12 | 1918051 | Wire Assy. - On/Off Ignition Switch..... | 1 | 41 | 9532 | E-Ring..... | 4 |
| 13 | 1763682 | Plastic Wire Tie | 6 | 42 | 1904321 | Ring Lock Pin | 2 |
| 14 | 1917576001 | Lower Handlebar - Left-Side..... | 1 | 43 | 1981022010 | Tine Hood Cover | 1 |
| 15 | 1917575001 | Lower Handlebar - Right-Side..... | 1 | 44 | 1763767 | Knob | 2 |
| 16 | 1909720 | Foam Sleeve..... | 1 | 45 | 1177038 | Lock Washer, 5/16 | 2 |
| 17 | 1983663 | Hex Hd. Screw, 1/4-20 x 5 | 2 | 46 | 90041 | Hex. Hd. Screw, M6 x 20 | 4 |
| 18 | 1107381 | Flat Washer, 1/4-20..... | 2 | 47 | 1186332 | Hex Flange Screw, 5/16-18 x 1-1/4..... | 4 |
| 19 | 1817146 | Hex Locknut, 1/4-20 | 5 | 48 | 1917530 | Adapter Plate - Engine | 1 |
| 20 | * | Engine..... | 1 | 49 | 1917529 | Adapter Plate - Transmission..... | 1 |
| 21 | 1917531 | Clutch Drum and Hub | 1 | 50 | 1918365 | Clutch Assy. (Incl. Refs. 55 and 56)..... | 1 |
| 22 | 1918124 | Tine Shield (Incl. Refs. 23, 24, 25 & 26)..... | 1 | 51 | ** | Hex Hd. Screw, M8 | 2 |
| 23 | 1917773 | Decal - Logo | 1 | 52 | ** | Flat Washer, M8 x M17 | 2 |
| 24 | 1904553 | Decal - Warning, Rotating Tines | 1 | --- | 1983648 | ***Bushing - Long | 2 |
| 25 | 1904549 | Decal - Warning, Hot Surfaces..... | 1 | OPTIONAL ATTACHMENTS | | | |
| 26 | 1904552 | Decal - Caution, Operation Hazards | 1 | --- | 12575 | Power Lawn Rake Attachment | 1 |
| 27 | 1186292 | Hex Hd. Screw, #10-24 x 1/2 | 2 | --- | 12574 | Lawn Aerator Attachment | 1 |
| 28 | 1186387 | Flange Locknut, #10-24 | 2 | --- | 12601 | Edger Attachment | 1 |

* Order parts from your local authorized engine dealer. Refer to engine nameplate for model/type number.

** Not available separately.

*** Not shown. In hardware bag provided with unit.

SAFETY AND OPERATING DECALS

Decals are not shown at full size. See above Parts List for reordering information.



On top, left-side tine shield



On top of handlebar



On rear, right-side tine shield



On rear, left-side tine shield



On right-side handlebar



On right-side handlebar