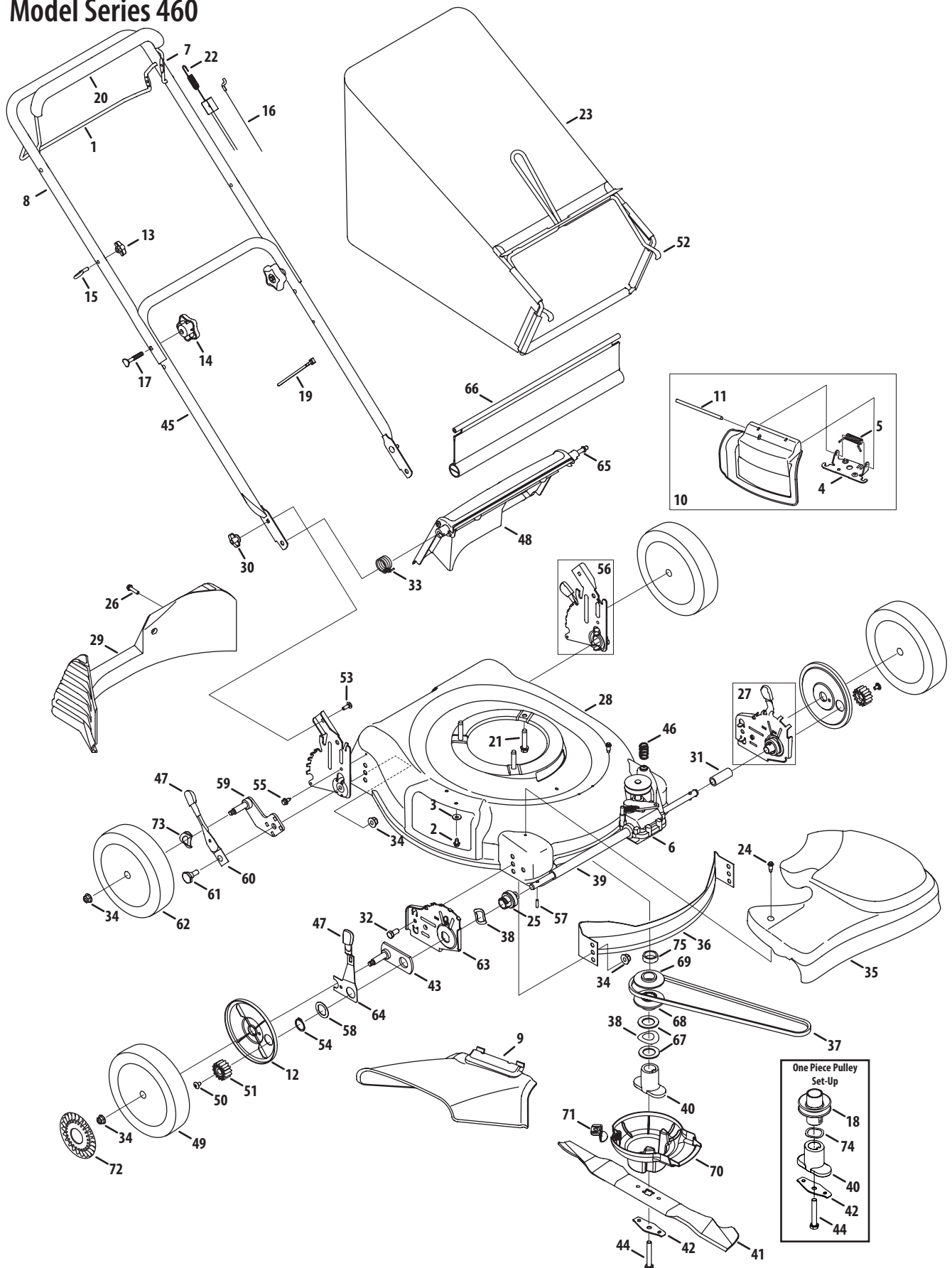


Model Series 460



NOTE: Mower features/components vary by model. NOT all parts pictured above and listed on the following pages are standard equipment.

Model Series 460

Ref No.	Part Number	Description
1	747-1214	Drive Control
2	710-0599	TT Screw 1/4-20 x 0.5
3	736-0270	Bell Washer.265 x 0.75
4	17032A	Deflector Chute Adapter
5	732-1014	Torsion Spring
6	918-04376A	Transmission Assembly
7	747-1161A-0637	Blade Control
8	749-1092A-0637	Upper Handle
9	731-04177	Chute Deflector
10	987-02055	Mulch Plug Complete
11	747-0710	Hinge Pin
12	782-7551A	Wheel Dust Cap
13	720-0279	Handle Knob
14	720-04072	Star Knob
15	710-1205	Eye Bolt
16	746-1132	Control Cable - 40.75"
	746-1113	Control Cable - 37.75"
17	710-1174	Carriage Bolt 5/16-18 x 2.0
18	656-04045A†	Pulley Assembly, Drive
19	926-0240	Cable Tie
20	731-2626†	Bail Cover
21	710-0654A	Self-Tapping Sems Screw
22	746-04203	Drive Cable - 51"
23	964-04007A	Grassbag
24	710-1650	Shoulder Screw # 12 -24
25	987-02347	Front Bearing Assembly
26	710-1241	Screw, 1/4-15 x 1.000
27	987-02194A	Height Adjustment Ass'y - RH
	987-02193A	Height Adjustment Ass'y - LH
28	787-01278-0691	21" Deck
29	731-04150C	Rear Baffle
30	912-0397	Wing Nut
31	750-04595	Slev. Spacer 1.4" Lg.
32	710-0216	Hex Screw, 3/8-16 x.75
33	732-04090A	Torsion Spring - RH
34	712-04065	Flange Lock Nut, 3/8-16
35	931-05013A	Transmission Cover - Black
	931-05250	Transmission Cover - Gray
36	782-5002B	Front Baffle
37	954-0637A	V-Belt
38	936-0447	Wave Washer
39	750-04594	Sleeve Spacer 8.985" Lg.

Ref No.	Part Number	Description
40	748-04082	Blade Adapter, 25mm
41	942-0741	21" Mulching Blade
42	736-0524B	Blade Bell Support
43	987-02334	Pivot Plate Assembly
44	710-1257	Hex Screw 3/8-24 x 2.50
45	749-0928A-0637	Lower Handle
46	732-1043	Belt Tension Spring
47	720-0426	Adjustment Knob
48	731-06847	Rear Discharge Door
49	734-2042	Front Wheel
50	710-04531	Screw, 1/4-20 x .390
51	717-1762	Gear 14T RH FWD
	717-1761	Gear 14T LH FWD
52	747-04080A	Grass Bag Frame
53	710-0703	Carriage Bolt 1/4-20
54	716-0102	Snap Ring
55	710-1652	TT Scr. w/Washer 1/4-20 x.625
56	987-02271A	Handle Bracket Assembly - RH
	987-02270A	Handle Bracket Assembly - LH
57	915-0221	Dowel Pin
58	736-0474	Washer
59	987-02333	Pivot Arm Assembly - RH
	987-02332	Pivot Arm Assembly - LH
60	732-04175	Rear Spring Lever
61	738-04266	Shoulder Scr.500 Dia. x.434
62	734-2004A	Rear Wheel
63	782-01298A	Height Adjuster Plate - RH
	782-01299A	Height Adjuster Plate - LH
64	732-0706	Front Lever - RH
	732-0707	Front Lever - LH
65	747-04587	Pivot Rod
66	731-05642A	Rear Trailing Shield
67	736-0277†	Washer, Flat, 1.031 x 1.620 x .095
68	956-04160†	Pulley, Half
69	956-04161†	Pulley, Half
70	931-06029	Engine Baffle
71	787-01593	Engine Baffle Bracket
72	731-0981A†	Hub Cap
73	736-0504†	Washer, Wave, .510 x .750 x .017
74	736-04389†	Wave Washer
75	750-04438A†	Sleeve Spacer

† If Equipped