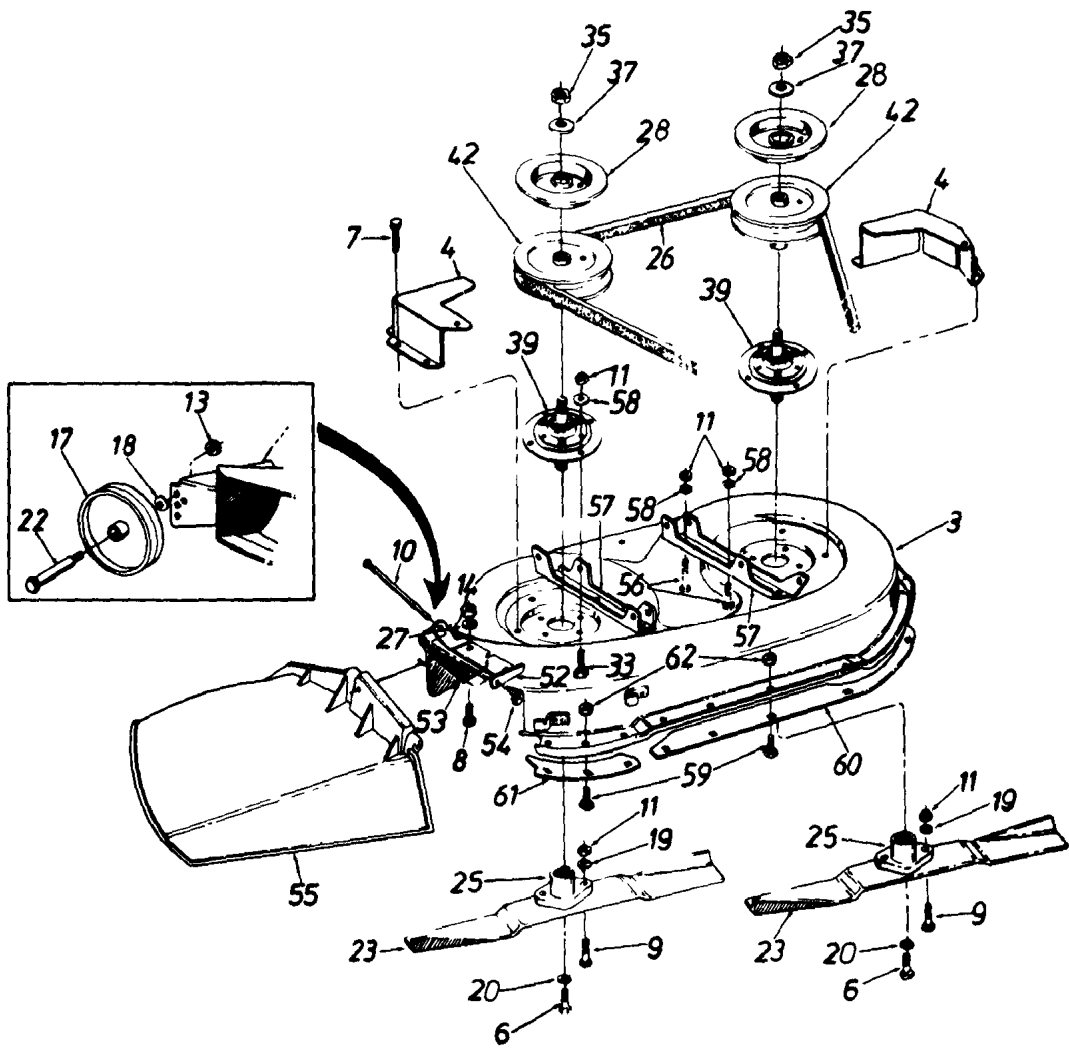
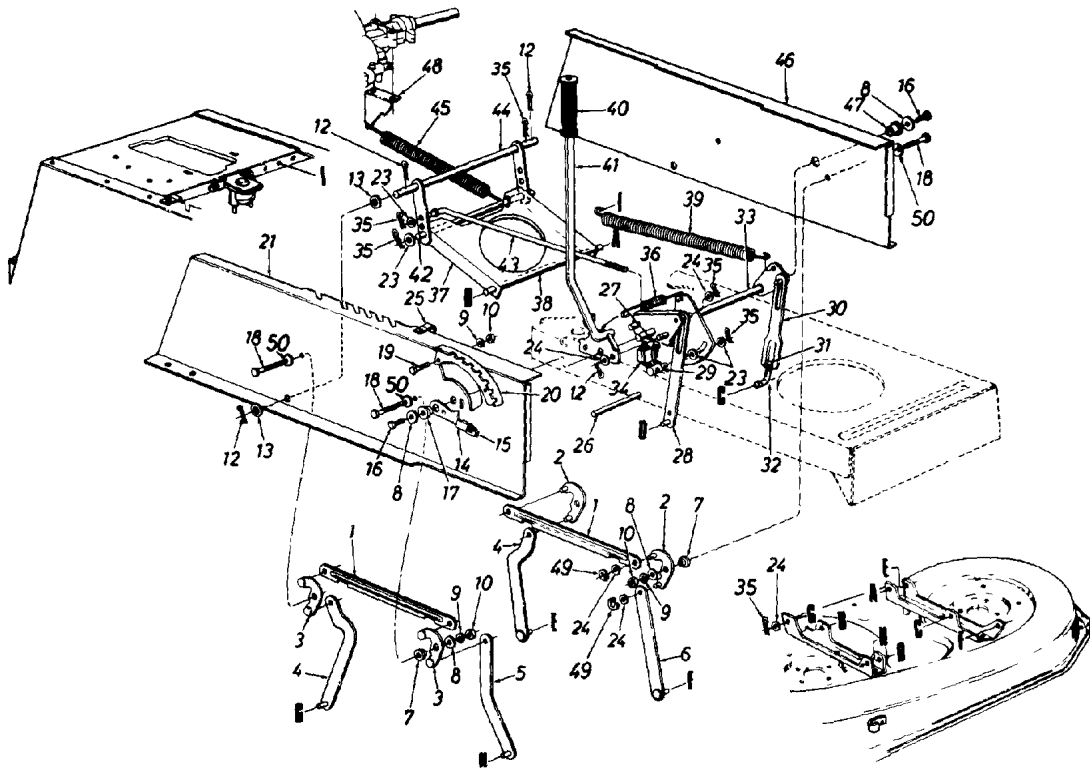


**SINGLE SPEED TRANSAXLE—R.H.
MODEL 618-0073**

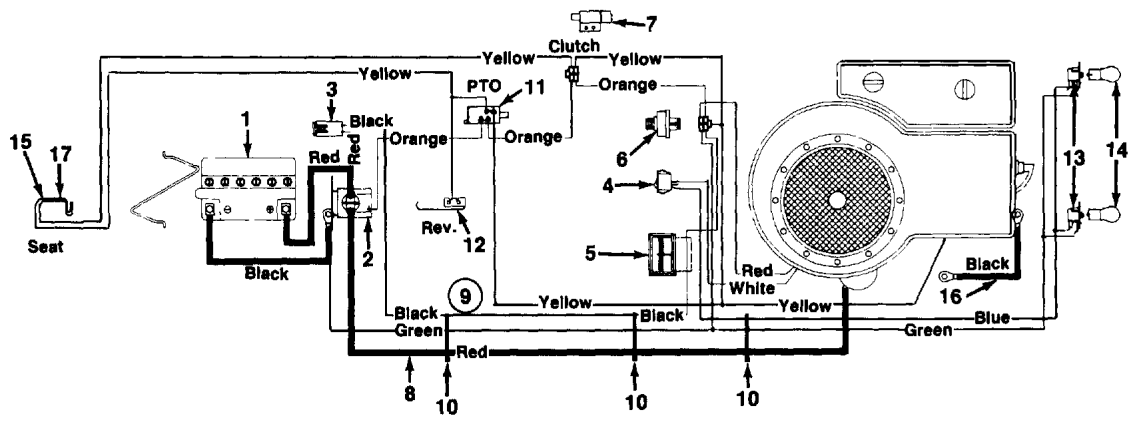
Ref #	Part Number	Qty	Description
	918-0163B	1	Transaxle Complete
1	732-0614		Wire Ring
2	732-0614		"E"-Ring New Part
3	710-0231		Hex Wash. TT-Tap Scr. 1/4-20 x 1.75" Lg.
4	710-1026		Hex Tap Scr. 1/4-20 x 1.25" Lg.
5	719-0314		Upper Housing
6	712-0200A		Hex Jam Nut 1/2-20 Thd.
7	717-1019		Miter Gear
8	711-0861		Input Shaft
10	736-0335		Thrust Washer 5/8" I.D. x 1.25" O.D.
11	717-0633		Pinion Input 147
12	716-0171		Retaining Ring
13	711-0943		Drive Shaft - R.H. Brake
14	741-0336		Flange Brg. 5/8" I.D. x 3/4" Lg.
15	717-1362		Bevel Gear 42T Small I.D.
16	717-1363		Bevel Gear 42T Large I.D.
17	718-0228		Clutch Collar
18	717-1020		Miter Gear 15T (H.D.)
19	716-0184		Snap Ring
20	741-0589		Thrust Bearing
21	710-0862A		Pan Head Scr. 1/4-20 x .50" Lg. w/Patch
22	717-0537		Axle R.H.
23	741-0340		Sleeve Bearing 3/4" I.D. x 1.0" Lg.
24	721-0179		Oil Seal 3/4" I.D.
25	750-0767		Axle Spacer
26	736-0445		FI-Wash. .760" I.D. x 1.5" O.D.
27	711-0918		Cross Shaft
28	717-1252		Differential Can Ass'y.
32			Washer
	736-0495		Thrust Wash. 5/8" I.D. x 1" O.D. x .025" Thk.
	736-0336		FI-Wash. 5/8" I.D. x 1" O.D. x .030" Thk.
	736-0494		Thrust Wash. 5/8" I.D. x 1" O.D. x .035" Thk.
	736-0337		FI-Wash. 5/8" I.D. x 1" O.D. x .040" Thk.
34	719-0313		Lower Housing
35	718-0150		Anti-Rotation Brkt.
37			Washer
	736-0349		FI-Wash. 5/8" I.D. x 1" O.D. x .020" Thk.
	736-0336		FI-Wash. 5/8" I.D. x 1" O.D. x .030" Thk.
	736-0337		FI-Wash. 5/8" I.D. x 1" O.D. x .040" Thk.
38	712-0273		Hex Nut 5/16-24 Thd.
39	736-0371		FI-Wash. .344" I.D. x .875" O D.
40	717-0700		Actuating Arm
41	761-0198		Brake Yoke
42	717-0682		Puck Plate
43	717-0678		Brake Puck
44	717-0536		Axle L.H.
45	761-0202		Brake Disc
46	741-0337		Flange Bearing 5/8" I.D. x 15/16" Lg.
48	611-0011		Shift Fork Ass'y.
49	741-0862		Ball Detent .250" Dia.
50	732-0863		Spring Detent
52	741-0335		Needle Brg. 5/8" I.D. x 1/2" Lg.
54	736-0349		FI-Wash. 5/8" I.D. x 1" O.D. x .020 Thk.
55	741-0343		Actuating Pin 5/16" Dia.



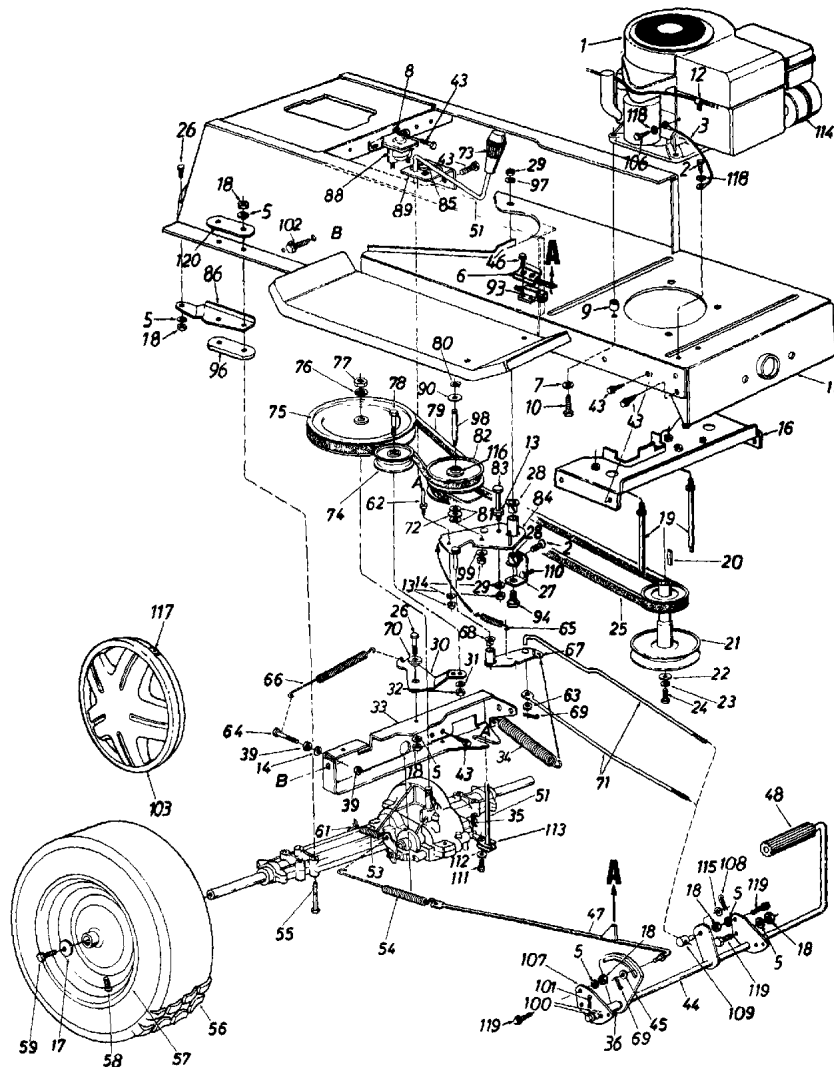
Ref #	Part Number	Qty	Description
3	17600A		42" Deck Ass'y.
	813-06118		42" Deck Ass'y. Comp. (For Service Only)
	1391670G147 (1993)		42" Deck Ass'y. Comp. (For Service Only)
4	17600A		Belt Guard Deck
6	710-0152		Hex Bolt 3/8-24 x 1.0" Lg.
7	710-0599		Hex Wash. Hd. TT-Tap Scr. 1/4-20 x .5" Lg.
8	710-0258		Hex Bolt 1/4-20 x .62"
9	710-0888		Hex Bolt Special 5/16-24 x 1.0"
10	711-0792		Hinge Pin
11	712-0123		Hex Nut 5/16-24 Thd.
13	712-0181		Hex Top L-Nut 3/8-16 Thd.
14	712-0287		Hex Nut 1/4-20 Thd.
17	734-0973		Deck Wheel - 5"
18	736-0105		Bell-Wash. .40" I.D. x .88" O.D.
19	736-0119		L-Wash. 5/16" I.D.
20	736-0217		L-Wash. 3/8" I.D.- H.D.
22	738-0373		Shld. Bolt .498" Dia. x 1.53"
23	742-0499A		High-Lift Blade
25	748-0300		Blade Adapter
26	754-0371A		V-Belt
27	736-0270		Bell-Wash. 1/4" I.D.
28	09322		Brake Disc
33	710-0157		Hex Bolt 5/16-24 x .75" Lg.
35	712-0318		Hex Jam Nut 5/8-18 Thd.
37	736-0158		L-Wash. 5/8" I.D.
39	717-0906		Blade Spindle Ass'y. Comp.
42	756-0556		5.5" Dia. Pulley
52	703-1693		Hinge Mtg. Brkt.
53	732-0602		Torsion Spring
54	726-0106		Push Nut
55	731-1032		Chute Ass'y. Comp. (Incl. Ref. 10, 52, 53, 54, 55)
56	710-0157		Hex Bolt 5/16-24 x .75" Lg.
57	17493A		Deck Hanger Channel
58	736-0242		Bell-Wash. .345" I.D. x .88"
59	710-0167		Carr. Bolt 1/4-20 x .5" Lg.
60	17861A		Deck Skirt Ext.- Long
61	17961		Deck Skirt Ext.- Short
62	712-0271		Hex Sems Nut 1/4-20 Thd.



Ref #	Part Number	Qty	Description
1	09735A		Connecting Rod
2	683-0029		Pivot Link Ass'y.- L.H. (Uses "E"-Ring) New Part
	731670G147 (1993)		Pivot Link Ass'y.- L.H. (Uses Cotter Pin)
3	683-0028		Pivot Link Ass'y.- R.H. (Uses "E"-Ring) New Part
	17641		Pivot Link Ass'y.- R.H. (Uses Cotter Pin)
4	17710		Deck Hanger Link Ass'y.
5	14800A		Deck Hanger Link Ass'y.
6	14804A		Deck Hanger Link Ass'y.
7	748-0331		Shld. Spacer .318" I.D.
8	736-0264		Ft-Wash. .344" I.D. x .62" O.D.
9	736-0119		L-Wash. 5/16" I.D.
10	712-0267		Hex Nut 5/16-18 Thd.
12	714-0470		Cotter Pin 1/8" Dia.
13	736-0256		Fl-Wash. .635" I.D. x 1.0" O.D.
14	683-0003		Height Adj. Stop Lever Ass'y. (Incl. Ref. 15); Optional Parts
15	08540		Knob Optional Parts
16	710-0604		Hex Wash. TT-Tap Scr. 5/16-18 x .75" Lg.
17	748-0176		Flange Brg. .63" I.D. Optional Parts
18	710-1238		Hex Wash. Hd. Scr. 5/16-18 x .875" Lg.
19	710-0118		Hex Bolt 5/16-18 x .75" Lg.
20	17730		Index Brkt.
21	17622C		Upper Frame - R,H. New Part
23	736-0267		Fl-Wash. .385" I.D. x .87" O.D.
24	736-0160		Fl-Wash. .531" I.D. x .93" O.D.
25	726-0272		Clamp
26	738-0526		Running Board Rod
27	710-3007		Hex Wash. Hd. Tap Scr.
28	14802A		Link Deck Lift Ass'y.
29	711-0723A		Adj. Ferrule 3/8-24 Thd.
30	17712		Adj. Deck Lift Link
31	712-3066		Hex Nut 1/2-20 Thd. (Gr. 5)
32	711-0841		Lift Link Adjuster
33	17637A		Lift Shaft Ass'y.
34	725-0803C		Safety Switch (Deck)
35	714-0145		Inter. Cotter Pin 3/8" Dia.
36	732-0637		Extension Spring
37	17636B		Stabilizer Bracket New Part
38	738-0670		Shaft 1/2" Dia. x 10.28" Lg.
39	732-0638		Extension Spring
40	720-0233		Grip (Lift Handle)
41	17675		Deck Lift Handle Ass'y.
42	738-0669		Shaft 3/8" Dia. x 9.34" Lg.
43	747-0598		Disengagement Rod
44	17624		Stabilizer Shaft Ass'y.
45	732-0556		Extension Spring 7.58" Lg.
46	17623		Upper Frame - L.H.
47	741-0313		Flange Brg. .632" I.D.
48	17128		Spring Retainer Brkt.
49	716-0104		"E"-Ring
	714-0470		Cotter Pin "E" Dia.
50	736-0425		Bell-Wash. .325" I.D.



Ref #	Part Number	Qty	Description
1	725-1633		Battery
2	725-1426		Solenoid
3	725-1625		Fuse 1.5 Amps
4	725-0634		Light Switch (Optional)
5	725-0925		Ammeter (Optional)
6	725-0267		Ignition Switch
7	725-3169A		Safety Switch (Clutch)
8	725-1081		Electric Wire 30" Lg. (B&S)
	725-1082		Electric Wire 36" Lg. (Tec.)
9	629-0066		Wire Harness w/o Ammeter (B&S)
	629-0073		Wire Harness w/o Ammeter (Tec.)
	629-0076		Wire Harness w/Ammeter (B&S)
	629-0078		Wire Harness w/Ammeter (Tec.)
10	726-0197		Cable Tie
11	725-0803C		Safety Switch (Deck)
12	725-1643		Safety Switch (Reverse)
13	725-1649		Socket (Used on Styles 0, 1, 6, 7)
	725-1650		Socket (Used on Styles 2, 3, 4, 5, 8, 9)
14	725-0963		Bulb (Headlight)
15	725-1303		Safety Switch (Seat)
16	725-0980		Ground Wire 7.5" Lg.
17	725-1439		Safety Switch (Seat)

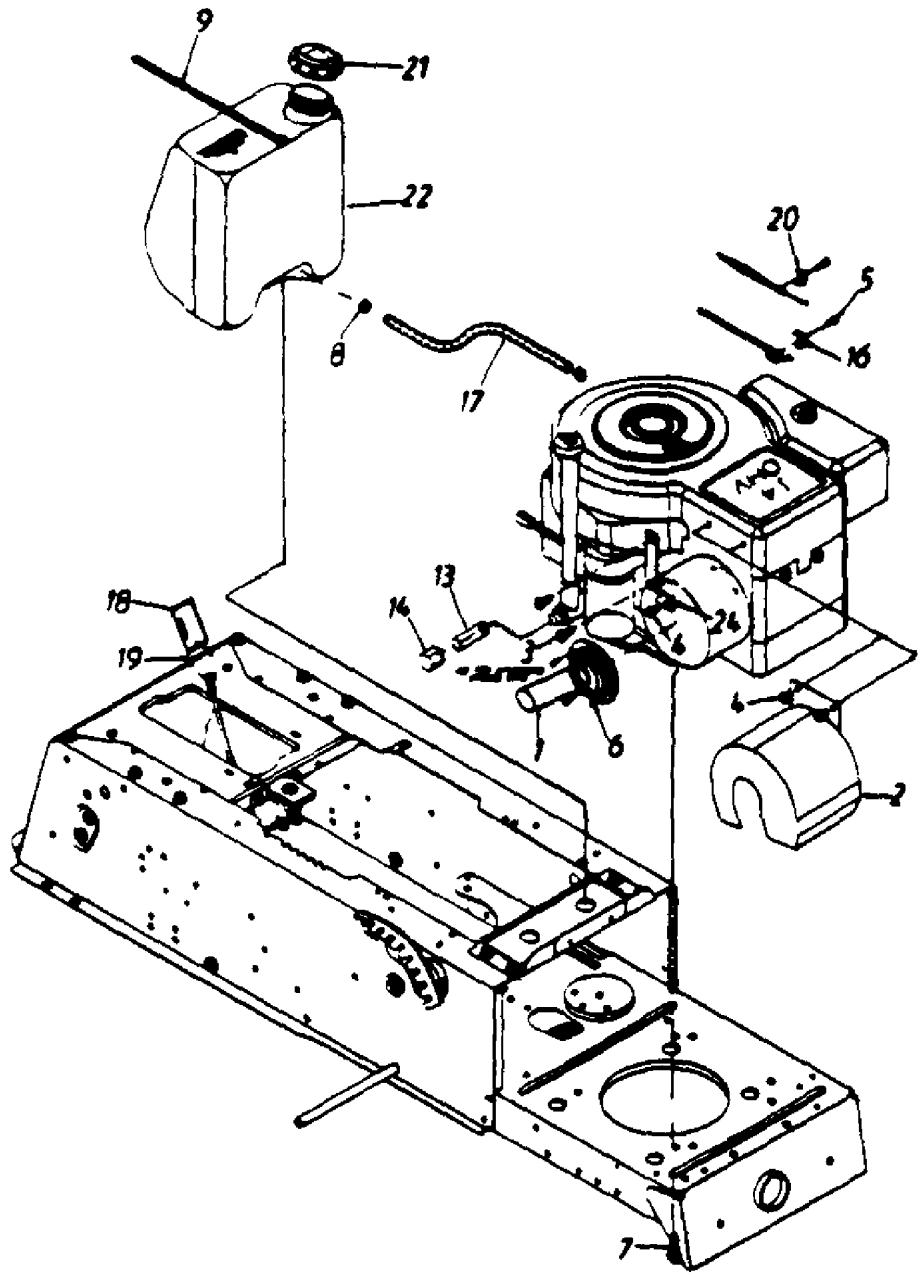


Note: If brand of tire is important, order by part number and description (description is printed on the sidewall of tire) [i.e. Armstrong Super Turf, Goodyear Softrac, Carlisle Turf Saver, etc.].

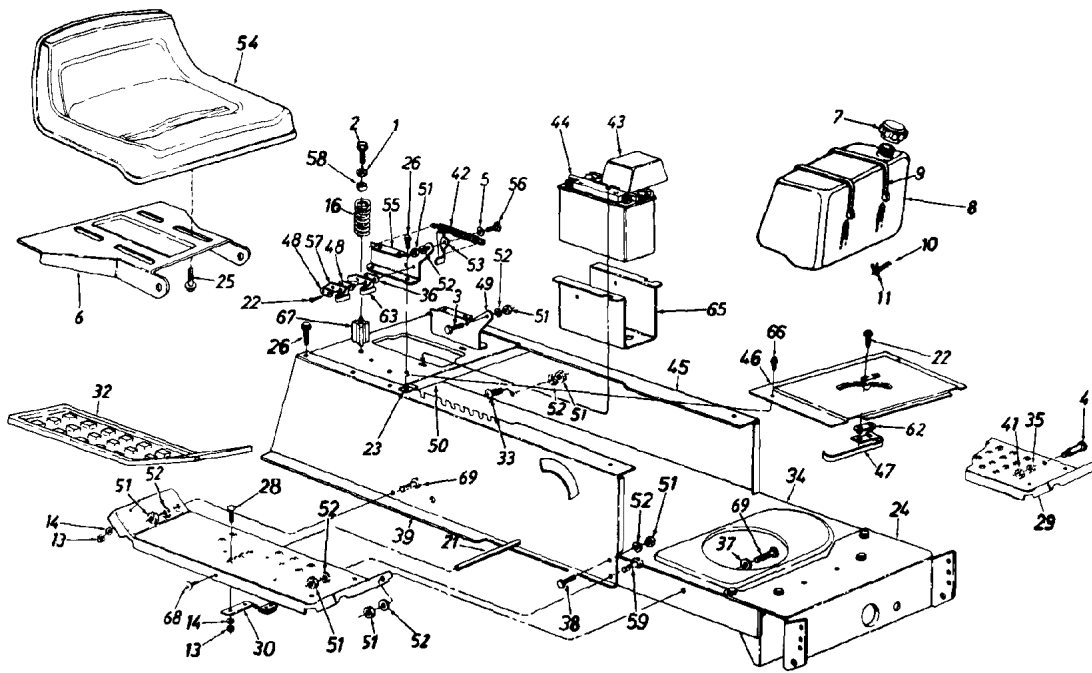
Ref #	Part Number	Qty	Description
1			Engine
2	710-0726		Hex AB-Tap Scr. 5/16" x .75" Page 8 of 24
3	1531670G147 (1993)		Electric Ground Wire
5	75-0980		Engine And Wheel Assembly
6	736-0119		L-Wash. 5/16" I.D.
7	17962		Switch Plate
8	736-0247		Fl-Wash. .406" I.D. x 1.25"
9	750-0777		Spacer
10	736-0222		Ext. L -Wash. 1/4" I.D.
11	710-1007		Hex Tap Scr. 3/8-16 x 1.5" L.g.
12	17619B		Lower Frame Ass'y. New Part
13	726-0235		Speed Clip
14	712-0287		Hex Nut 1/4-20 Thd.
15	736-0329		L-Wash. 1/4" I.D.
16	17893		Belt Guard Brkt. Ass'y.
17	736-0242		Bell-Wash. .345" I.D. x .88"
18	712-0267		Hex Nut 5/16-18 Thd.
19	711-0986		Belt Guard Stud 3.6" Lg. New Part
20	714-0114		Sq. Key 1/4" x 1/4" x 2.00"
21	756-0488		Engine Pulley
22	736-0322		Fl-Wash. 7/16" I.D. x 1.25"
23	736-0171		L-Wash. 7/16" I.D.
24	710-0757		Hex Bolt 7/16-20 x 1.50" Lg.
25	754-0280		Variable-Speed Belt
26	710-0118		Hex Bolt 5/16-18 x .75" Lg.
27	17963		Bearing Shaft Bracket Ass'y.
28	741-0591		Flanged Nyliner Brg. .63" I.D. x .6" Lg.
29	712-0241		Hex Nut 3/8-24 Thd.
30	17643		Idler Bracket (Used w/20" Wheels w/o 46" Deck)
31	17694		Idler Bracket (Used w/18" Wheels or 46" Deck)
32	736-0169		L-Wash. 3/8" I.D.
33	712-0241		Hex Nut 3/8-24 Thd.
34	17629A		Transaxle Support Brkt.
35	732-0556		Ext. Spring .94" O.D. x 7.58"
36	714-0149B		Inter. Cott-Pin
37	750-0802		Spacer .63" I.D.
38	712-0138		Hex Nut 1/4-28 Thd.
39	710-0599		Hex S-Tap Scr. 1/4-20 x .5"
40	17715B		Clutch/Brake Pedal Ass'y. New Part
41	736-0264		Fl-Wash. .344" I.D. x .62"
42	710-0351		Truss Mach. B-Tap Scr. #10 x .5" Lg.
43	17686A		Brake Rod Ass'y.
44	735-0196		Foot Pad
45	17705		Shift Lever Ass'y.
46	732-0264		Ext. Spring .38" O.D. x 2.5"
47	732-0413		Ext. Spring 7.08" (Used w/20" Wheels w/o 46" Deck)
48	732-0642		Ext. Spring 7.33" (Used w/18" Wheels or 46" Deck)
49	710-1068		Hex Bolt 5/16-18 x 3.5" Lg. (Used w/18" Wheels or 46" Deck)
50	710-0189		Hex Bolt 5/16-18 x 3" Lg. (Used w/20" Wheels w/o 46" Deck)
51			Wheel Ass'y. Comp.
52	734-0817		18" x 9.50" Wheel Ass'y. Comp.
53	734-0592		18" x 6.50" Wheel Ass'y. Comp.

Ref #	Part Number	Qty	Description
	734-1675		20" x 8.0" Wheel Ass'y. Comp.
	734-1679		20" x 10.0" Wheel Ass'y. Comp.
57	133L670G147 (1993) Engine And Wheel Assembly		Wheel Rim Only
	734-0603A		18" x 9.50" Rim Only
	734-0594		18" x 6.50" Rim Only
	734-0603A		20" x 8.0" Rim Only
	734-0603A		20" x 10.0" Rim Only
58	734-0255		Air Valve (Service Only)
59	710-0627		Hex Bolt 5/16-24 x .75" Lg.
61	732-0722		Brake Return Spring Anchor New Part
62	711-0768		Belt Guard Pin 1/4-20 Thd.
63	736-0275		Fl-Wash. .34" I.D. x .68" O.D.
64	710-0428		Hex Bolt 1/4-28 x 1.25" Lg.
65	732-0568		Ext. Spring
66	732-0384		Ext. Spring .62" O.D. x 6.12"
67	16554A 16352A		Variable Speed Torque Brkt. Ass'y. Variable Speed Torque Brkt. Ass'y. (30" Deck Only)
68	741-0419		Flanged Bearing
69	714-0111		Cotter Pin 3/32" Dia.
70	748-0234		Shoulder Spacer .27" Lg.
71	747-0530A 747-0512		Speed Control Link Speed Control Link (30" Deck Only)
72	741-0405		Truss Bearing .56 Dia. x 1.25"
73	720-0232		Shift Knob
74	756-0437		Fl-Idler Pulley 3.25" x .75"
75	656-0005 656-0004		"V"-Pulley (Used w/18" Wheels or 46" Deck) "V"-Pulley (Used w/20" Wheels w/o 46" Deck)
76	736-0427		Bell-Wash. .56" I.D. x 1.125"
77	712-3035		Hex Jam Nut 9/16-18 Thd.
78	710-0539		Hex Bolt 3/8-24 x 1.75" Lg.
79	754-0370		Variable Speed Belt
80	716-0114		Snap Ring .56" Dia.
81	736-0355		Fl-Wash.
82	717-0800A		Variable Speed Pulley Ass'y. 5" O.D.
83	710-1223		Hex Bolt 1/4-20 x 3.5" Lg.
84	16354B		Variable Speed Brkt. Ass'y.
85	732-0525		Comp. Spring - Clip
86	17668 17669		Axle Support Brkt. - R.H. Axle Support Brkt. - L.H. (Not Shown)
88	725-1426		Solenoid
89	17630		Shift Lever Bracket
90	736-0414		Teflon Washer .565" I.D.
93	725-3169A		Safety Switch (Clutch)
94	738-0755		Shld. Bolt 3/8-24 x 3.12" Lg.
96	748-0334		Transaxle Spacer (Used w/18" Wheels or 46" Deck)
97	736-0105		Bell-Wash. .38" I.D. x .88"
98	738-0569		Shaft .56" Dia. x 3.875" Lg.
99	736-0331		Bell-Wash. .39" I.D. x 1.12"
100	736-0256		Fl-Wash. .64" I.D. x .94"
101	714-0470		Cotter Pin 1/8" Dia. x 1.25"
102	710-0604		Hex Wash. Hd. Scr. 5/16-18 x .62" Lg.
103	734-1504 734-1614		Hub Cap (Gray) (Optional) Hub Cap (Beige) (Optional)
106	710-0323		Pan Hd. Mach. Scr. 5/16-18 x .75" Lg.

Ref #	Part Number	Qty	Description
107	17860		Pedal Bracket
108	714-0470		Cotter Pin 1/8" Dia. x 1.25" Page 10 of 24
109	710-0195		Ferrule
110	710-0376		Hex Bolt 5/16-18 x 1.0" Lg.- (Gr. 5)
111	710-0195		Hex Bolt 1/4-28 x .50" Lg.
112	736-0270		Bell-Wash. .265" I.D. x .75"
113	17707		Shift Lever Link Ass'y.
114			Muffler (Refer to Style Sheet)
115	736-0140		FI-Wash. .385" I.D. x .62"
116	741-0404	2 Req'd	Needle Brgs.
117	727-0425A		Spring Clip (Used w/Ref. #103)
118	736-0607		External L-Wash. 5/16" I.D.
119	710-0650		Hex TT-Tap Scr. 5/16-18 x .75"
120	17840		Transaxle Mtg. Brkt.
	734-0448		18" x 9.50" Tire Only
	734 0294		18" x 6.50" Tire Only
	734-1596		20" x 8.0" Tire Only
	734-1680		20" x 10.0" Tire Only

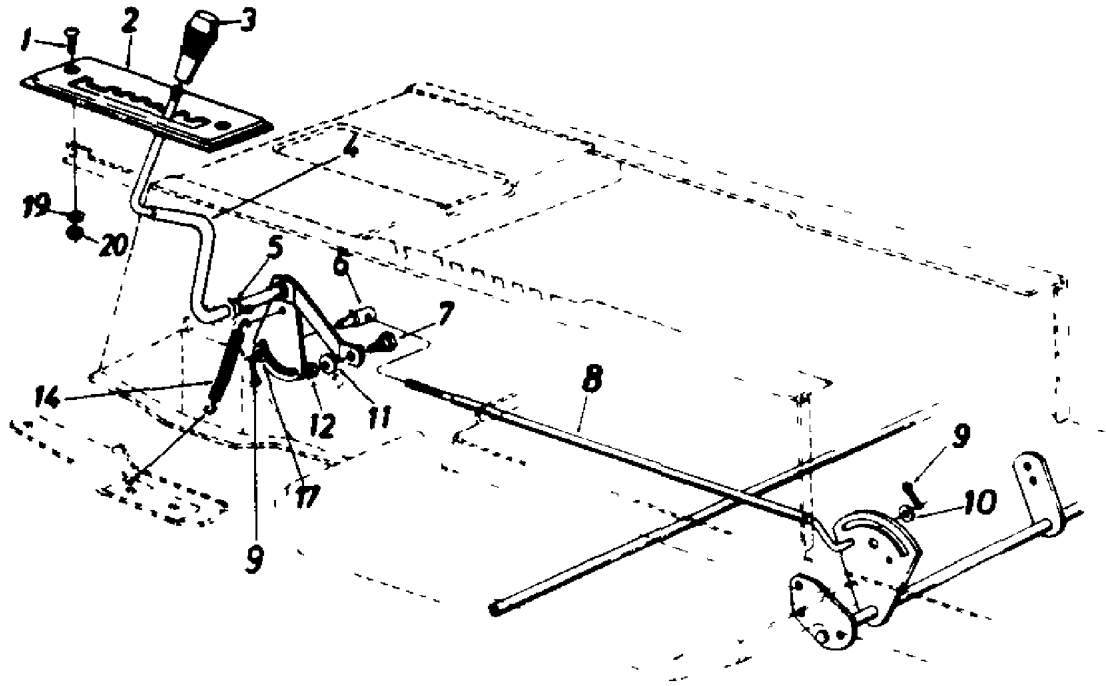


Ref #	Part Number	Qty	Description
1	651-0002		Exhaust Pipe Ass'y.
2	683-0042		Heat Shield Ass'y.
3	133L670G147 (1993) 710-0323 External Engine		Pan Hd. Mach. Scr. 5/16-18 x 75" Page 12 of 24
4	710-0599		Hex Wash. Hd. Scr. 1/4-20 x 5"
5	710-1237		Hex Slot Wash. Hd. #10-32 x 5/8" Lg.
6	710-0148		Hex Wash. Hd. F-Tap Scr. #8-32 x .38"
7	710-0502A		Hex L-Wash. TT-Tap Scr. 3/8-16 x 1.25"
8	726-0205		Hose Clamp - .49" Dia.
9	726-0209		Cable Tie-30.66" Lg.
10	726-0197		Cable Tie-I.D.
11	736-0247		Flat Wash. 3/8" I.D. x 1.25" O.D.
13	737-0199		Pipe Nipple 3/8-18 NPT x 2" Lg.
14	737-0143		Cap - Oil Drain
15	750-0777		Shld. Spacer .38" I.D. x 1.25" O.D
16	751-0360A		Casing Clamp
17	751-0535-15		Fuel Line Hose
18			UNKNOWN
19			UNKNOWN
20	751B221535		Casing Clamp
21	751-3071		Fuel Cap w/o Gasket
22	751-0555		Gas Tank - 1-1/2 Gallon
23			Engine-B&S 287707-153-01 14 H.P.
24	783-0106		Bracket Heat Shield



Ref #	Part Number	Qty	Description
1	736-0159		Fl-Wash. .344" I.D. x .875"
2	710-1208		Hex Wash. Hd. Tap Scr. 5/16-18 x 3.25" Lg.
3	736-0145		Shld. Bolt .437" Dia. x .162"
4	738-0145		Shld. Bolt .50" Dia. x .84"
5	736-0141		Spr-Wash. .445" I.D. x .75
6	783-0039		Seat Pivot Bracket New Part
7	751-3071		Fuel Cap
8	751-0555		Fuel Tank
9	726-0209		Tie Strap
10	751-0535-26		Fuel Line
11	726-0205		Hose Clamp
13	712-0287		Hex Nut 1/4-20 Thd.
14	736-0329		L-Wash. 1/4" I.D.
16	732-0672		Compression Spring
21	738-0526		Running Board Rod
22	710-0227		Hex Wash. Hd. AB-Tap Scr. #8 x .50" Lg.
23	726-0139		Speed Nut #10Z
24	17621		Front Pivot Brkt.
25	710-0623		Hex Tap Scr. 3/8-16 x .75"
26	710-0726		Hex Wash. Hd. AB-Tap Scr. 5/16 x .75" Lg.
28	710-0134		Carriage Bolt 1/4-20 x .62"
29	17770		Running Board (R.H. & L.H.)
30	761-0168A		Blade Brake Ass'y.
32	731-0909		Rubber Foot Pad - L.H. Optional Parts
	731-0910		Rubber Foot Pad - R.H. Optional Parts
	723-0422		Abrasive Foot Pad Optional Parts; (Not Shown)
33	710-0323		Truss Mach. Scr. 5/16-18 x .75" Lg.
34	17619B		Lower Frame New Part
35	736-0169		L-Wash. 3/8" I.D.
36	726-0278		Insulator Boss Plate
37	736-0264		Fl-Wash. .344" I.D. x .625" O.D.
38	710-0118		Hex Bolt 5/16-18 x .75" Lg.
39	17622C		Upper Frame - R.H.
41	712-0798		Hex Nut 3/8-16 Thd.
42	732-0581B		Extension Spring 5.31" Lg.
43	731-1200		Battery Cover
44	725-1635		12-V Battery (275 Cold Crank Amps)
45	17623		Upper Frame - L.H.
46			Shift Cover (Refer to Style Sheet)
47	725-1643		Reverse Safety Switch
48	726-0279		Insulator Plate
49	17951		Seat Pivot Brkt. Support - L.H.
50	17953		Hitch Plate
51	712-0267		Hex Nut 5/16-18 Thd.
52	736-0119		L-Wash. 5/16" I.D.
53	17239A		Seat Lift Brkt.
54	757-0345		Seat 8-7/8" High
	757-0338		Seat 10-5/8" High
	757-0350		Seat 14 1/4" High
55	17950		Seat Pivot Brkt. Support - R.H.
56	738-0296		Shld. Bolt .437" Dia. x .268"
57	725-1303		Spring Switch
58	722-0160		Bushing
59	710-0650		Hex Wash. TT -Tap Scr. 5/16-18 x 7/8" Lg.

Ref #	Part Number	Qty	Description
62	726-0320		Insulator Nut Plate
63	725-1439		Safety Switch (Seat)
65	1531670G147 (1993)		Battery Tray
66	710-0351		Truss Mach. B-Tap Scr. #10 x .5" Lg.
67	748-0347		Spring Spacer
68	710-1221		Pan Hd. Cutting Scr. 5/16-18 x .75" Lg.
69	710-0118		Hex Bolt 5/16-18 x .75" Lg.



Ref #	Part Number	Qty	Description
1	710-0924		Truss Mach. Scr. 1/4-20 x .75" Lg.
2	17469		7-Speed Selector Plate
3	155L670G147 (1993)		Shift Knob
4	736-0118		Speed Selector Lever Ass'y.
5	16192		Flat Washer .53" I.D. x .93"
6	736-0192		Ferrule 3/8-24 x .37" Dia.
7	711-0198		Shoulder Bolt
8	738-0155		Speed Control Link
9	747-0503A		Cotter Pin 3/32" Dia. x 1.0"
10	714-0111		FI-Wash. .469" I.D. x .88"
11	736-0226		L-Wash. 5/16" I.D.
12	736-0119		Hex Nut 5/16-18 Thd.
14	712-0267		Spring .38" O.D. x 3.18" Lg.
17	732-0303		FI-Wash. .385" I.D. x .62"
19	736-0140		FI-Wash. 1/4" I.D.
20	736-0329		Hex Nut 1/4-20 Thd.
	712-0287		

Ref #	Part Number	Qty	Description
1	731-0220		Steering Wheel Cap
	731-0955		Steering Wheel Insert (Optional)
2	731-0955		Steering Assembly/Wheels, Front/Axle From
3	736-0242		Hex L-Nut 5/16-24 Thd.
4	731-0805		Belleville Wash. .345" I.D.
	731-0806A		Steering Wheel (3 Spoke)
5	731-0559		Steering Wheel (4 Spoke)
	731-0954		Steering Bellow - 4.5" (Style 2, 3, 5, 7, 8)
6	737-0280		Steering Bellow - 9" (Style 0, 1, 4, 6, 9)
7	741-0356		Grease Fitting (Optional)
			Flange Bearing .890 I.D. x 1.36 O.D. (Style 2, 3, 5, 7, 8)
9	17198A		Retainer Plate
10	738-0141		Shoulder Bolt .437" Dia. x .35 Lg. 5/16-18 Thd.
11	710-0152		Hex Bolt 3/8-24 x 1.0" Lg. (Grade 5)
13	750-0535		Spacer .380" I.D. x .625" O.D. x .227
14	736-0217		L-Wash. 3/8" I.D. (H.D.)
15	710-0726		Hex Wash. Hd. Self-Tap Scr.
16	711-0788		Steering Drag Link
17	17621		Front Pivot Brkt.
18	738-0527		Shoulder Bolt .498" Dia. x 2.04 Lg. 3/8-16 Thd.
19	712-0798		Hex Nut 3/8-16 Thd.
20	736-0169		L-Wash. 3/8" I.D.
21	712-0411		Hex L-Nut 5/16-24 Thd.
22	16481A		Steering Arm Front Axle
23	710-0772		Hex Bolt 5/16-24 x 2.00" Lg. (Grade 5)
24	741-0487A		Hex Flg. Brg. .632 I.D.
25	683-0002		Pivot Bar Ass'y.
26			Front Axle Ass'y.- L.H.
	17585		Front Axle Ass'y.- L.H.
	683-0041		Front Axle Ass'y.- L.H.
	17585		Front Axle Ass'y.- L.H.
	683-0041		Front Axle Ass'y.- L.H.
	683-0041		Front Axle Ass'y.- L.H. (46" Deck)
	683-0041		Front Axle Ass'y.- L.H. (46" Deck)
27	712-0241		Hex Nut 3/8-24 Thd.
28	736-0169		L-Wash. 3/8" I.D.
29	723-3018		Ball Joint 3/8-24 Thd.
30	747-0753		Tie Rod (Adjustable)
	747-0861		Tie Rod (Non-Adjustable)
31	712-0711		Hex Jam Nut 3/8-24 Thd.
32			Front Axle Ass'y.- R.H.
	17584		Front Axle Ass'y.- R.H.
	683-0040		Front Axle Ass'y.- R.H.
	17584		Front Axle Ass'y.- R.H.
	683-0040		Front Axle Ass'y.- R.H.
	683-0040		Front Axle Ass'y.- R.H. (46" Deck)
	683-0040		Front Axle Ass'y.- R.H. (46" Deck)
33			Wheel Ass'y. Comp.
	634-0056		Wheel Ass'y. Comp. 15" x 6" w/Plastic Bearing
	634-0057		Wheel Ass'y. Comp. 13" x 5" w/Plastic Bearing
	634-0059		Wheel Ass'y. Comp. 15" x 6" w/Ball Bearing
	634 0060		Wheel Ass'y. Comp. 13" x 6" w/Ball Bearing
34			Front Wheel Rim Only

Ref #	Part Number	Qty	Description
	634-0024A		Rim Only 15" x 6" w/Plastic Bearing
	634-0059		Rim Only 13" x 5" w/Plastic Bearing
	634-0051A		Rim Only 15" x 6" w/Ball Bearing
	634-0051A		Rim Only 13" x 6" w/Ball Bearing
35	741-0487A		Bearing 15" x 6" w/Plastic Bearing
	741-0487A		Bearing 13" x 5" w/Plastic Bearing
	741-0569		Bearing 15" x 6" w/Ball Bearing
	741-0569		Bearing 13" x 6" w/Ball Bearing
36	736-0285		Fl-Wash. .635 I.D. x 1.59" O.D.
37	731-0484A		Front Wheel Hub Cap
	734-0541		Front Wheel Hub Cap (Chrome) (Optional)
	734-1503		Spoked Hub Cap (Gray) (Optional)
	734-1612		Spoked Hub Cap (Beige) (Optional)
38	714-0470		Cotter Pin 1/8" Dia. x 1.25"
39	736-0187		Fl-Wash. .640" I.D. x 1.24" O.D.
40	726-0214		Push Cap 5/8" Dia. Rod
42	712-0446		Hex Jam Nut 3/8-24 Thd.
43	710-0538		Hex L-Bolt 5/16-18 x .62"
44	736-0119		L-Wash. 5/16" I.D.
45	736-0343		Fl-Wash. .33" I.D. x 1.25" O.D.
46	750-0532		Spacer (Plastic)
47	712-0214		Hex Cent. L-Nut 3/8-24 Thd.
48	736-0169		L-Wash. 3/8" I.D.
49	712-0158		Hex Cent. L-Nut 5/16-18 Thd.
50	736-0119		L-Wash. 5/16" I.D.
51	717-0622A		Steering Gear Segment
52	741-0225		Hex Flg. Brg. .634 I.D.
53	736-0187		Fl-Wash. (Hardened)
54	738-0743		Steering Shaft
57	710-0837		Oval Hd. Cr.- Sunk Scr. #10 x 5/8" Lg. (Style 2, 3, 5, 7, 8)
58	736-0271		Wave-Wash. .32" I.D. x .62" O.D.
59	736-0187		Fl-Wash. (Hardened)
60	723-3018		Drag Link Ball Joint 3/8-24 Thd.
61	70607		Ext. L-Wash. 5/16" I.D.
63	727-0425A		Spring Clip (Used w/Spoked Hub Cap)
64	70356		Bell-Wash. .39" I.D. x 1.38" O.D.
65	731-1291		Pivot Bar End Cap (Optional)
66	710-0459		Hex Bolt 3/8-24 x 1.5" Lg. (Gr. 5)
69	731-1389		Plastic Tube 1.54" Lg. New Part
	734-0864		Tire Only 15" x 6" w/Plastic Bearing
	734-0298		Tire Only 13" x 5" w/Plastic Bearing
	734-0864		Tire Only 15" x 6" w/Ball Bearing
	734-1421		Tire Only 13" x 6" w/Ball Bearing
	734-0255		Air Valve
	734-0255		Air Valve
	734-0255		Air Valve
	734-0255		Air Valve
	737-0211		Grease Fitting (Optional)
	737-0211		Grease Fitting (Optional)
	737-0280		Grease Fitting (Optional)
	737-0280		Grease Fitting (Optional)

Ref #	Part Number	Qty	Description
	737-0212		Grease Plug
	737-0212		Grease Plug
	133L670G147 (1993)		Steering Assembly/Wheels, Front/Axle, Front

Ref #	Part Number	Qty	Description
56	710-1206		Hex Wash Hd. Self-Tap Scr. 1/4-20 Thd.
57	717-1364		Differential Gear 58T
58	736-0349		FI-Wash. 5/8" I.D. x 1" O.D. x .020 Thk.
	736-0495		Thrust Wash. 5/8" I.D. x 1" O.D. x .025" Thk.
60			Washer
	736-0492		FI-Wash. .76" I.D. x 1.5" O.D. x .010" Thk.
	736-0493		FI-Wash. .76" I.D. x 1.5" O.D. x .020" Thk.
	736-0351		FI-Wash. .76" I.D. x 1.5" O.D. x .030" Thk.
	736-0445		FI-Wash. .76" I.D. x 1.5" O.D. x .060" Thk.
	737-0148		Grease - Shell (15 oz.)