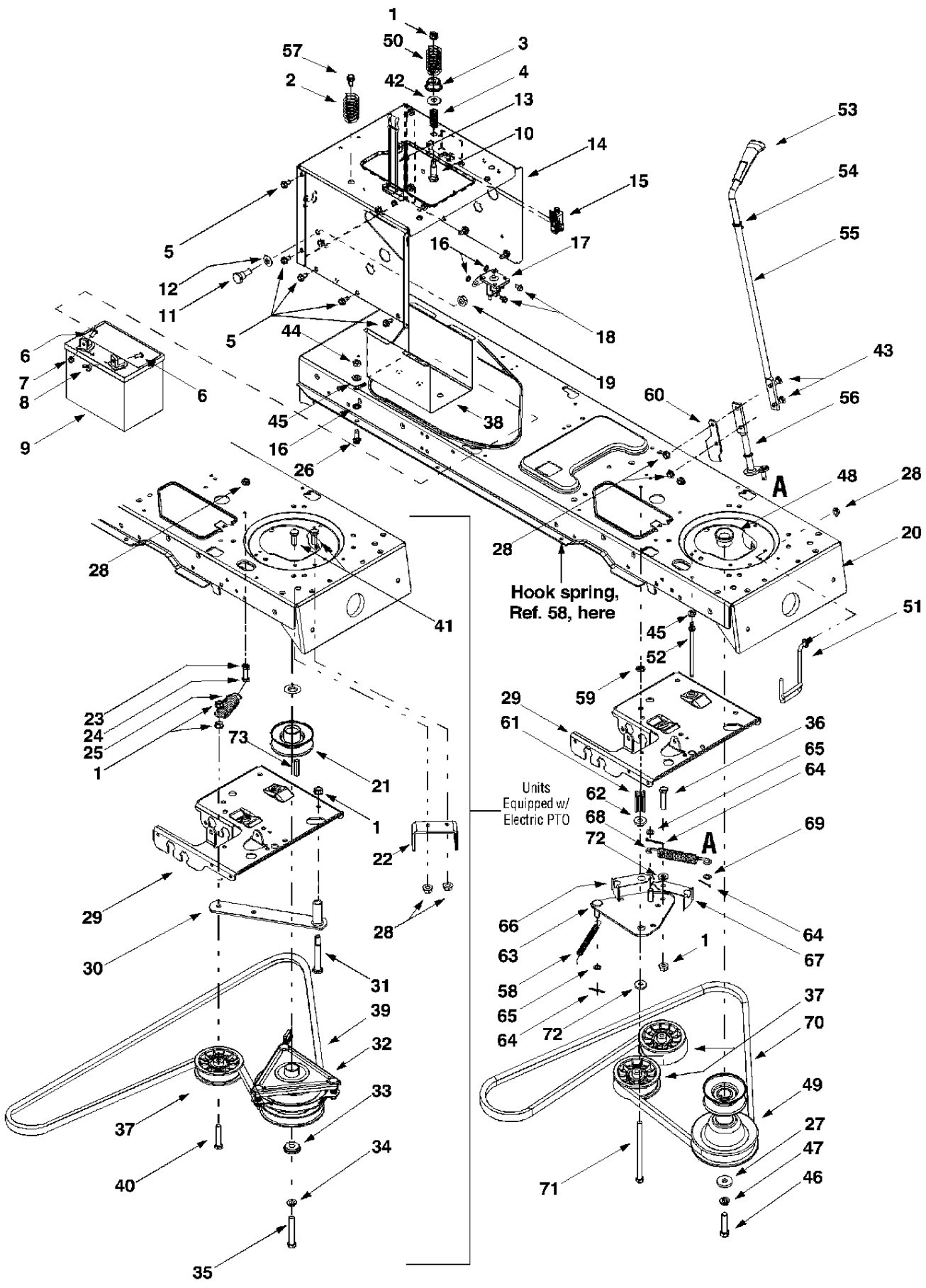


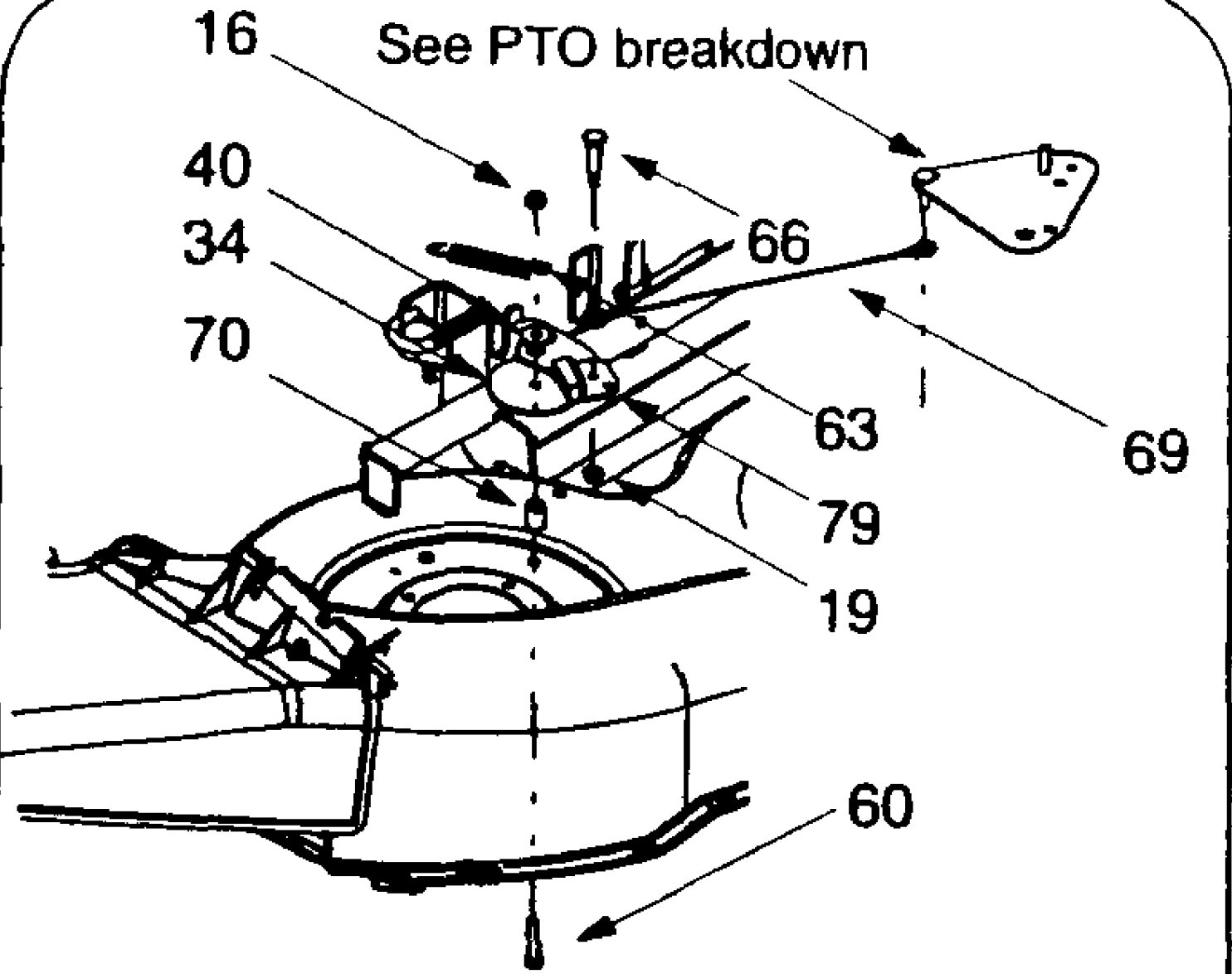
Ref #	Part Number	Qty	Description
1	16606		Retainer Hook
2	618-0437		Spindle Assembly, 5.75 Dia.
3	SA0616G190 LT-1650 (2000)		42" Cutting Deck
4	683-0254		Deck Adjustment Bracket w/ Weld Nut
5	683-0303		Deck Brake Assembly, 42-inch Decks
6	710-0520		Hex Cap Screw, 3/8-16 x 1.5
8	710-0604A		Self-tapping Screw, 5/16-18 x .625
9	710-0751		Hex Cap Screw, 1/4-20 x .62
11	710-1122		Hex Cap Screw, 1/4-20 x 2.5
12	710-1260A		Self-tapping Screw, 5/16-18 x .75
13	711-0677		Ferrule, 5/16-18
14	712-0417A		Hex Flange Nut, 5/8-18
15	712-0431		Flange Lock Nut, 3/8-16
17	712-3006		Hex Nut, 1/4-20
18	712-3009		Hex Lock Nut, 5/16-18
19	712-3027		Hex Flange Lock Nut, 1/4-20
20	714-0104		Internal Cotter Pin, .072 x 1.12
21	714-0111		Cotter Pin, 3/32 x 1.0
22	717-1553A		Deck Adjustment Gear
24	726-0233		Push Nut. .25 x .5
25	731-1032B		Side Discharge Chute Assembly
26	731-2231A		Belt Cover
27	732-0306		Compression Spring, .406 x .531 x 1.75
29	734-0973		Deck Wheel, 5 x 1.38
30	736-0105		Bell Washer, .401 x .87 x .063
31	736-0119		Lock Washer, 5/16
32	736-0270		Bell Washer, .265 x .75 x .062
33	736-0275		Flat Washer, .344 x .688 x .065
34	736-0416		Flat Washer, .320 x 3.0 x .125
35	738-0373		Shoulder Screw, .498 x 1.53
36	742-0616		Three-in-one Blade, Star Center, 21.23"
37	746-0970		Bracket Cable, 5.35"
38	747-1116		Deck Release Pin
39	747-1202		Deck Brake Rod
41	783-1026		RH Belt Guard Bracket
42	783-1027		LH Belt Guard Bracket
66	753-0871		42-inch Deck Assembly Complete (Manual PTO activated)
	683-0198D		42-inch Deck Shell



Ref #	Part Number	Qty	Description
1	712-0431		Flange Lock Nut, 3/8-16
2	732-0996		Compression Spring, 1.31 x 3.0
3	732-0997		Compression Spring, .66 OD x 1.5
4	710-0604A		Self-tapping Screw, 5/16-18 x .625
5	710-0751		Hex Cap Screw, 1/4-20 x .62
6	712-0271		Hex Sems Nut, 1/4-20
7	712-3044		Wing Nut, 1/4-20
8	725-1706		12-volt Battery, 270 CCA
9	738-1014		Shoulder Screw, .5 x 1.25, 3/8-16
10	738-1020		Shoulder Screw, .625 x .5, 7/16-20
11	736-0407		Bell Washer, .45 x 1.0 x .062
12	723-0444		Battery Strap
13	783-1031		Hitch Plate
14	725-1747		Safety Interlock Plunger Switch
15	736-0222		Lock Washer, 1/4
16	725-1426		Solenoid, 12-Volt, 100 Amp
17	710-0599		Self-Tapping Screw, 1/4-20 x .5
18	712-0459		Flange Lock Nut, 7/16-20
19	683-0304		Lower Frame Assembly
20	756-0978		Engine Pulley
21	783-1003		Electric Clutch Anti-Rotation Bracket
22	712-3010		Hex Nut, 5/16-18
23	710-3180		Hex Cap Screw, 5/16-18 x 1.75
24	732-0978		Extension Spring, 1.2 OD x 3.638
25	710-0642		Self-tapping Screw, 1/4-20 x .750
26	736-0322		Flat Washer, .45 x 1.25 x .164
27	712-3004A		Flange Lock Nut, 5/16-18
28	783-0653C		Steering Support Bracket
29	683-0297		Idler Bracket Assembly
30	738-0982		Shoulder Screw, .498 x 3.245, 3/8-16
31	717-1708		Electric PTO Clutch
32	738-0785		Shoulder Spacer, 1.38 x .445 x .36
33	736-0171		Lock Washer, 7/16
34	710-3157		Hex Cap Screw, 7/16-20 x 3.25
35	710-3011		Hex Cap Screw, 3/8-16 x 2.25
36	756-0627		Flat Idler Pulley, 3.5 OD
37	783-0349		Battery Tray
38	754-0474		PTO Belt (46-inch Decks w/ Electric PTO)
39	710-3144		Hex Cap Screw, 3/8-16 x 2.0
40	710-3025		Hex Cap Screw, 5/16-18 x .625
41	736-0105		Bell Washer, .401 x .870 x .063
42	710-0376		Hex Cap Screw, 5/16-18 x 1.0
43	712-3006		Hex Nut, 1/4-20
44	736-0119		Lock Washer, 5/16
45	710-3029		Hex Cap Screw, 7/16-20 x 1.25
46	736-0171		Lock Washer, 7/16
47	750-0956		Spacer
48	756-0983A		Engine Pulley
49	732-0735		Extension Spring, 1.318 x 2.37
50	647-0053		Belt Guard
51	711-1044		Keeper Pin
52	731-2111A		PTO Knob
53	736-0108		Flat Washer, .510 x .750 x .033
54			

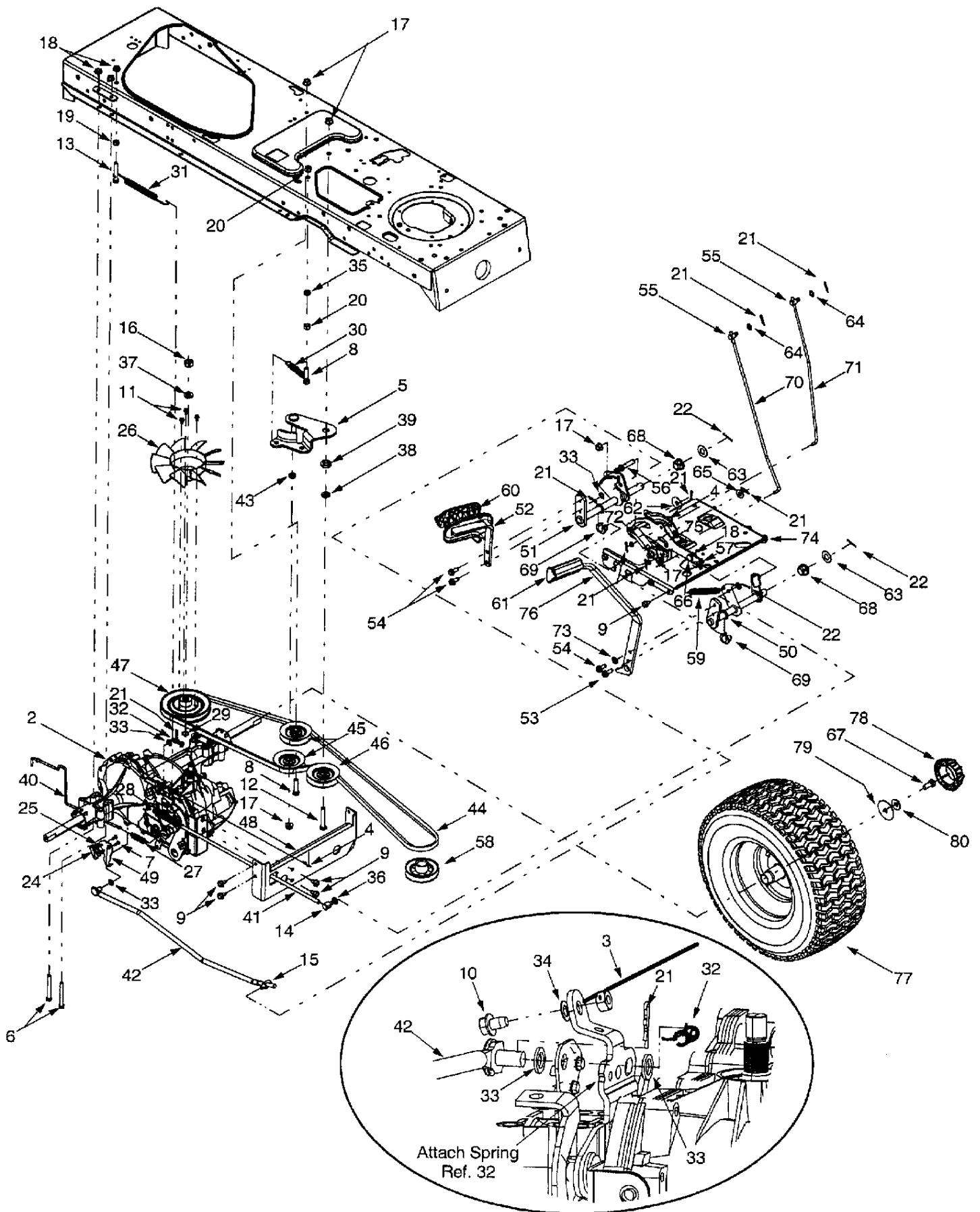
Ref #	Part Number	Qty	Description
55	747-1112A		PTO Handle
56	647-0046		PTO Lever
57	13A0616G190 LT-1650 (2000)		Self-Tapping Screw, 15/16-18 x .875
58	710-0650		Battery PTO Drive, Frame
59	732-0995		Extension Spring, .5 x 6.0
60	712-0229		Push Nut, 3/8
61	783-0744A		Engagement Stop Bracket
62	748-0415A		Spacer, 3/8 x 1.54
63	738-0372		Shoulder Spacer
64	683-0302		PTO Engagement Plate
65	714-0470		Cotter Pin, 1/8 x 1.25
66	736-0140		Flat Washer, .385 x .62 x .063
67	732-0991		Belt Guard
68	732-0990		Belt Guard
69	732-0944		Extension Spring, .75 x 5.39
70	736-0275		Flat Washer, .344 x .688 x .065
71	754-0485		PTO Belt (42-inch Decks w/ Manual PTO)
72	710-0831		Hex Cap Screw, 3/8-16 x 5.5
73	736-3010		Flat Washer, .407 x .812 x .135
73	714-0118		Square Key

See PTO breakdown



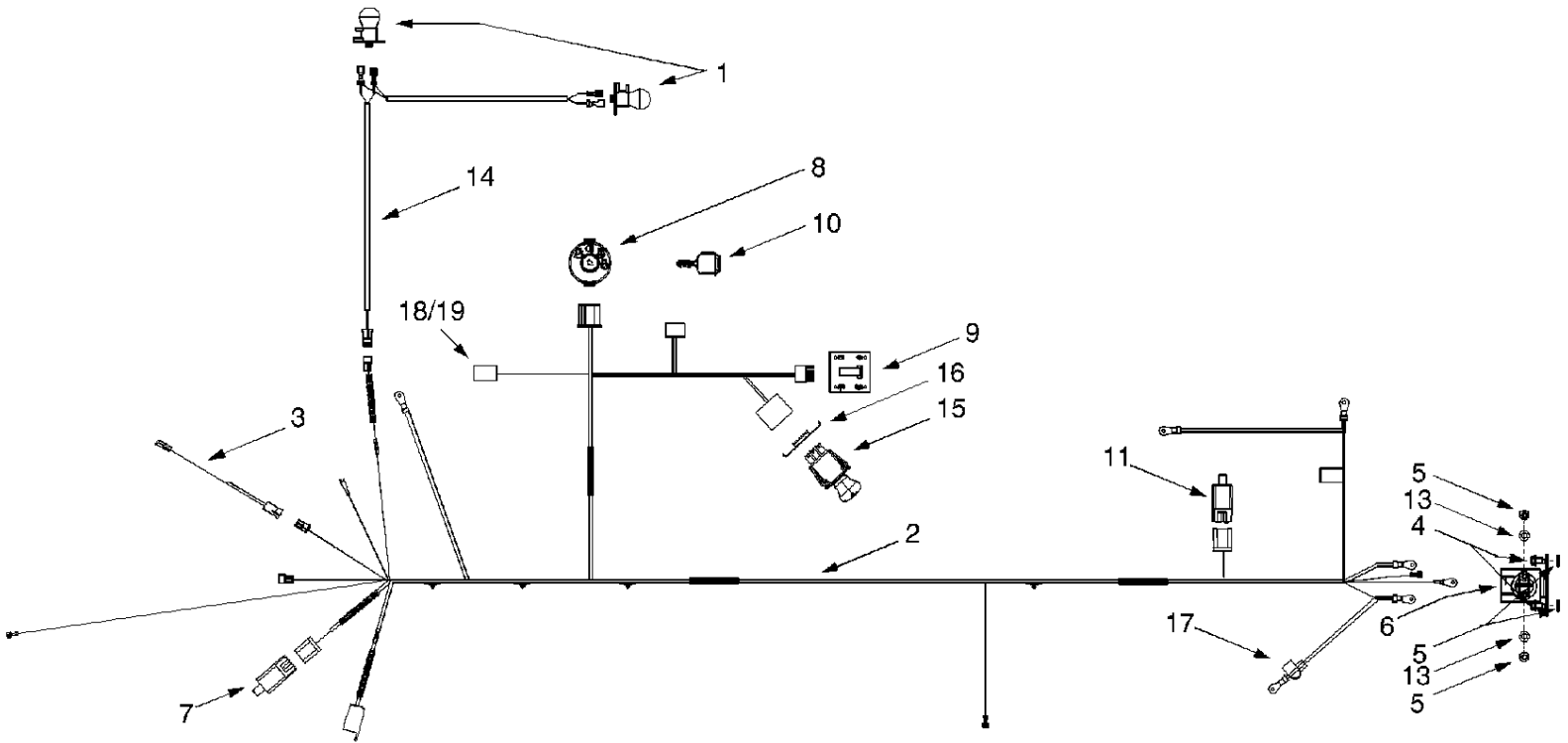
Deck Brake Assembly

Ref #	Part Number	Qty	Description
16	712-3004A		FLANGE LOCK NUT 5/16 x 18
19	712-3027		HEX FLANGE NUT 1/4 x 20
34	732-0416	13	FLAT WASHER .320 x 3.0 x .125
40	738-0347		SHOULDER SPACER
60	710-0805		HEX CAP SCREW
63	732-0429A		EXTENSION SPRING
66	738-0572		SHOULDER SCREW .374 x 1.16 (46" DECK)
69	746-1107		BRACKET CABLE 12" (46" DECK)
70	750-0807		SPACER .385 x .625 x .70
79	17116		DECK BRAKE ASSY. (46" DECK)

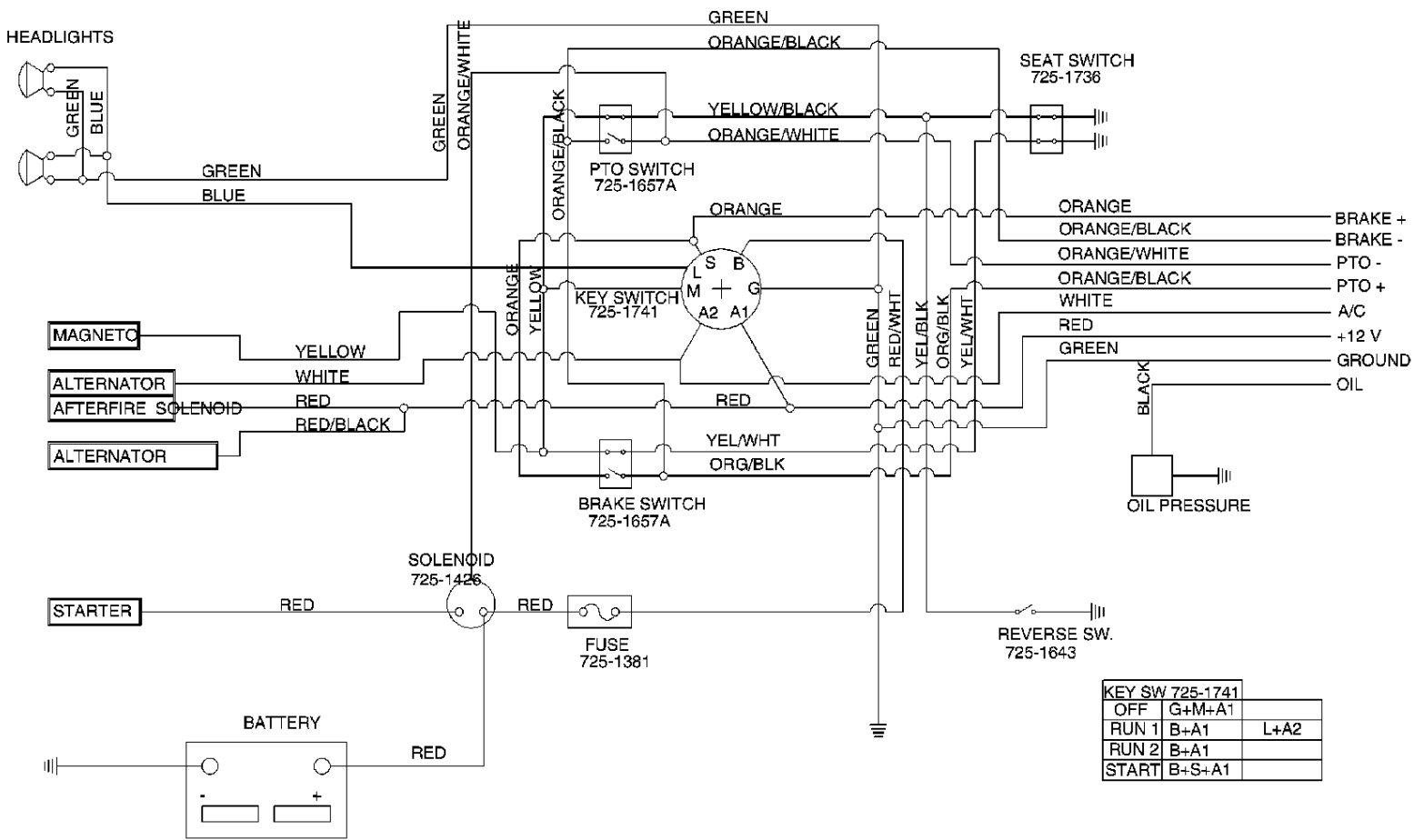


Ref #	Part Number	Qty	Description
1	17840		Transaxle Mounting Bracket
2	618-0319		Hydrostatic Transmission
3	15A0616G190 LT-1650 (2000)		Reverse Wire Harness Adapter & Ground
4	629-0949A		Drive & Rear Axle
5	783-0780A		Neutral Return Bracket
6	683-0251		Double Idler Bracket Assembly
7	710-0176		Hex Cap Screw, 5/16-18 x 2.75
8	710-0227		Screw, #8-18 x .5
9	710-0344		Hex Cap Screw, 3/8-16 x 1.5
10	710-0604A		Self-tapping Screw, 5/16-18 x .625
11	710-0653		Self-tapping Screw, 1/4-20 x .375
12	710-3007		Screw, #12-24 x .375
13	710-3011		Hex Cap Screw, 3/8-16 x 2.25
14	710-3103		Hex Cap Screw, 5/16-18 x 2.0
15	711-0677		Ferrule, 5/16-18
16	711-0832		Ferrule, 3/8-24
17	712-0333		Hex Nut, 1/2-20
18	712-0431		Flange Lock Nut, 3/8-16
19	712-3004A		Flange Lock Nut, 5/16-18
20	712-3010		Hex Nut, 5/16-18
21	712-3017		Hex Nut, 3/8-16
22	714-0104		Internal Cotter Pin
23	714-0111		Cotter Pin
24	725-0157		Cable Tie
25	725-1644		Short Spring Switch
26	726-0320		Insulator Nut Plate
27	731-1449A		10-inch Fan
28	732-0209		Extension Spring, .48 x 2.03
29	732-0716		Extension Spring, .59 x 4.0
30	732-0729		Wire Ring
31	732-0429A		Extension Spring, .5 x 3.97
32	732-0994		Extension Spring, .5 x 7.0
33	732-3118		Extension Spring, 3/8 x 1.44
34	736-0140		Flat Washer, .385 x .62 x .063
35	736-0142		Flat Washer, .281 x .50 x .063
36	736-0169		Lock Washer, 3/8
37	736-0275		Flat Washer, .344 x .688 x .065
38	736-0921		Lock Washer, 1/2
39	736-3010		Flat Washer, .407 x .812 x .135
40	738-0372		Shoulder Spacer, .38
41	747-1149		Hydrostatic Bypass Rod
42	747-1150		Hydrostatic Brake Rod
43	747-1151		Hydrostatic Control Rod
44	750-0535		Spacer, .376 x .625 x .22
45	754-0349		Drive Belt
46	756-0116		V idler Pulley, 3.06
47	756-0981A		Flat Idler Pulley, 2.75
48	756-1166		Input Pulley, 5.0
49	783-0810		Transmission Torque Bracket
50	783-1019		Switch Actuator Bracket
51	647-0031		Brake Control Assembly
52	647-0049		Drive Control Assembly
53	683-0267C		Hydro Pedal Assembly
54	710-0650		Self-tapping Screw, 5/16-18 x .875
55	710-1260A		Self-tapping Screw, 5/16-18 x .75

Ref #	Part Number	Qty	Description
55	711-0736		Ferrule, 1/4-20
56	711-1363		Pin, 3/8-16 x 2.43
57	732-0437	15A0616G190 LT-1650 (2000)	Compression Spring, .34 OD x 1.0
58	756-0978A		Engine Pulley
59	732-0963		Extension Spring, .50 OD x 6.37
60	735-0662		Drive Pedal Pad
61	735-3049		Brake Pedal Pad
62	736-0133		Flat Washer, .411 x 1.25 x 1.0
63	736-0187		Flat Washer, .64 x 1.24 x .06
64	736-0204		Flat Washer, .344 x .062 x .03
65	736-3004		Flat Washer, .406 x .875 x .105
66	738-0155		Shoulder Screw, .437 x 1.62
67	710-0627		Hex Cap Screw, 5/16-24 x .75
68	741-0225		Hex Flange Bearing
69	741-3065A		Split Hex Flange Bearing
70	747-1137		Cruise Control Rod
71	747-1138		Brake Lock Control Rod
72	748-0413		Cruise Latch
73	736-3008		Flat Washer, .344 x .750 x .120
74	783-0653D		Steering Support Bracket
75	783-0663C		Drive Lockout Bracket
76	783-0773		Brake Pedal
77	634-0177		Wheel Assembly Complete 20 x 10 x 8 Square Shoulder
	634-0104		Wheel Assembly Complete 20 x 8 x 8 Square Shoulder
	734-1675		Wheel Assembly Complete 20 x 8 x 8 Round Shoulder
	634-0070		Rim Assembly Only
	734-0255		Air Valve (Not Shown)
	734-1873		Tire Only, 20 x 10 x 8, Square Shoulder
	734-1730		Tire Only, 20 x 8 x 8, Square Shoulder
	734-1596		Tire Only, 20 x 8 x 8, Round Shoulder
78	734-2290A		Deluxe Hub Cap (Ref. 79 Required)
79	736-0430		Flat Washer, .350 x 1.59 x .062
80	736-0242		Bell Washer, .34 x .872

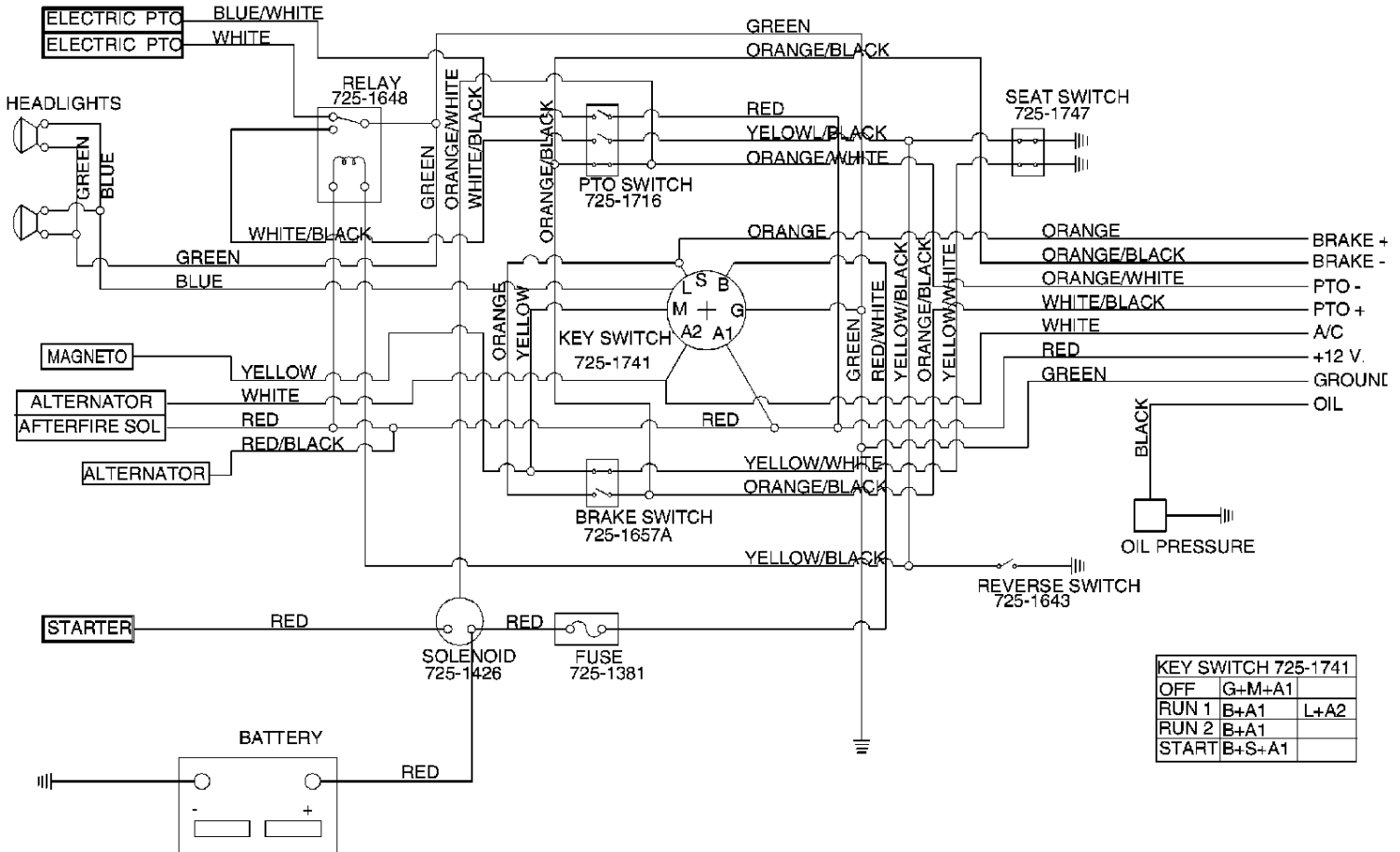


Ref #	Part Number	Qty	Description
1	625-0051		Bulb/Socket Headlight Assembly
2	629-0943		Wiring Harness w/o Ref. 14 (LT-1650)
	629-0939		Wiring Harness w/o Ref. 14 (LT-1850 & 2150)
3	629-0126		Harness Adapter, #18 x 5
4	710-0599		Self Tapping Screw, 1/4-20 x .5
5	712-3006		Hex Nut, 1/4-20
6	725-1426		Solenoid, 12-volt, 100 Amp
7	725-1657A		Snap Mount Safety Interlock Switch (Brake)
8	725-1741		Ignition Switch
9	725-1743		Indicator Monitor / Hour Meter
10	725-1745		Ignition Key
11	725-1747		Safety Plunger Switch (Seat)
12	736-0222		External Lock Washer, 1/4
13	736-0329		Lock Washer, 1/4
14	629-0309		Headlight Harness
15	725-1752		Electric PTO Switch (LT-1850 & 2150 only)
16	783-0462		Retainer Bracket (LT-1850 & 2150 only)
17	725-3007A		Positive Terminal Cover (Boot)
18	729-0357		Fuse Holder
19	725-1381		20-amp Fuse



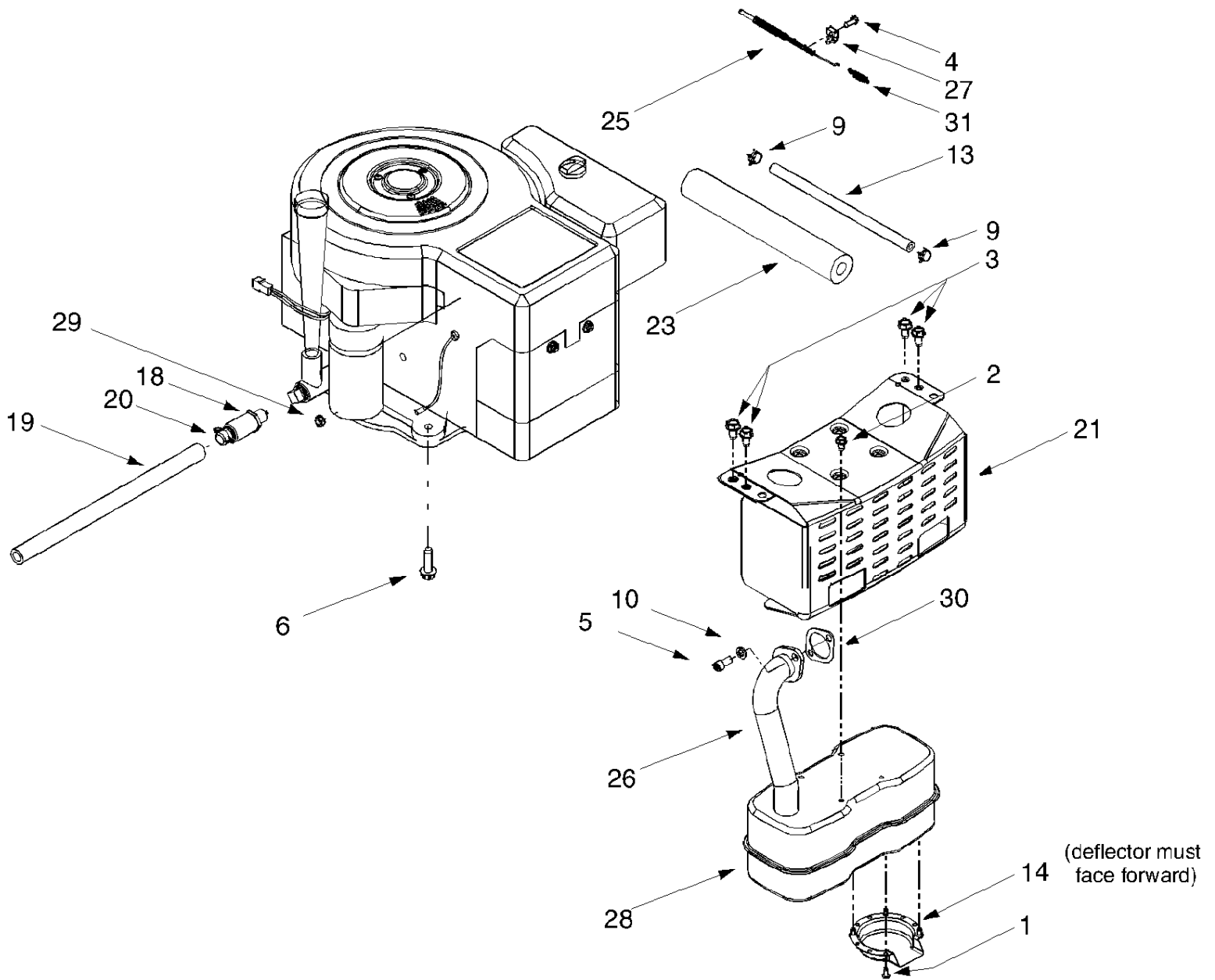
Ref #	Part Number	Qty	Description
7251741	725-1741		KEY SWITCH
7251657A	725-1657A		PTO SWITCH
7251657A	725-1657A		BRAKE SWITCH
7251426	725-1426		SOLENOID
7251381	725-1381		FUSE
7251643	725-1643		REVERSE SWITCH
7251736	725-1736		SEAT SWITCH

RELAY:725-1718	
C30	GREEN
C85	YELLOW/BLACK
C86	RED
C87	WHITE/BLACK
C87	WHITE

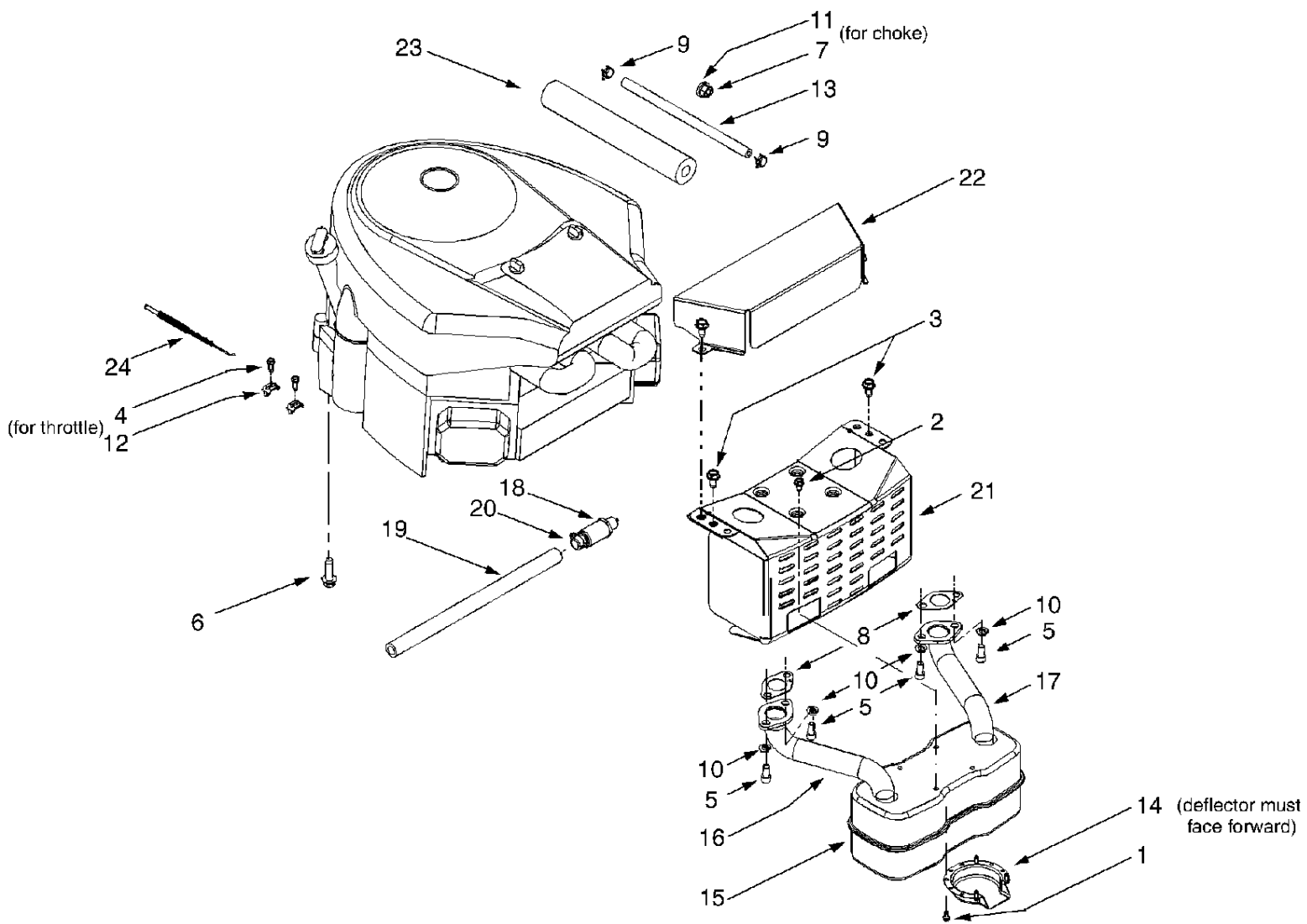


KEY SWITCH 725-1741		
OFF	G+M+A1	
RUN 1	B+A1	L+A2
RUN 2	B+A1	
START	B+S+A1	

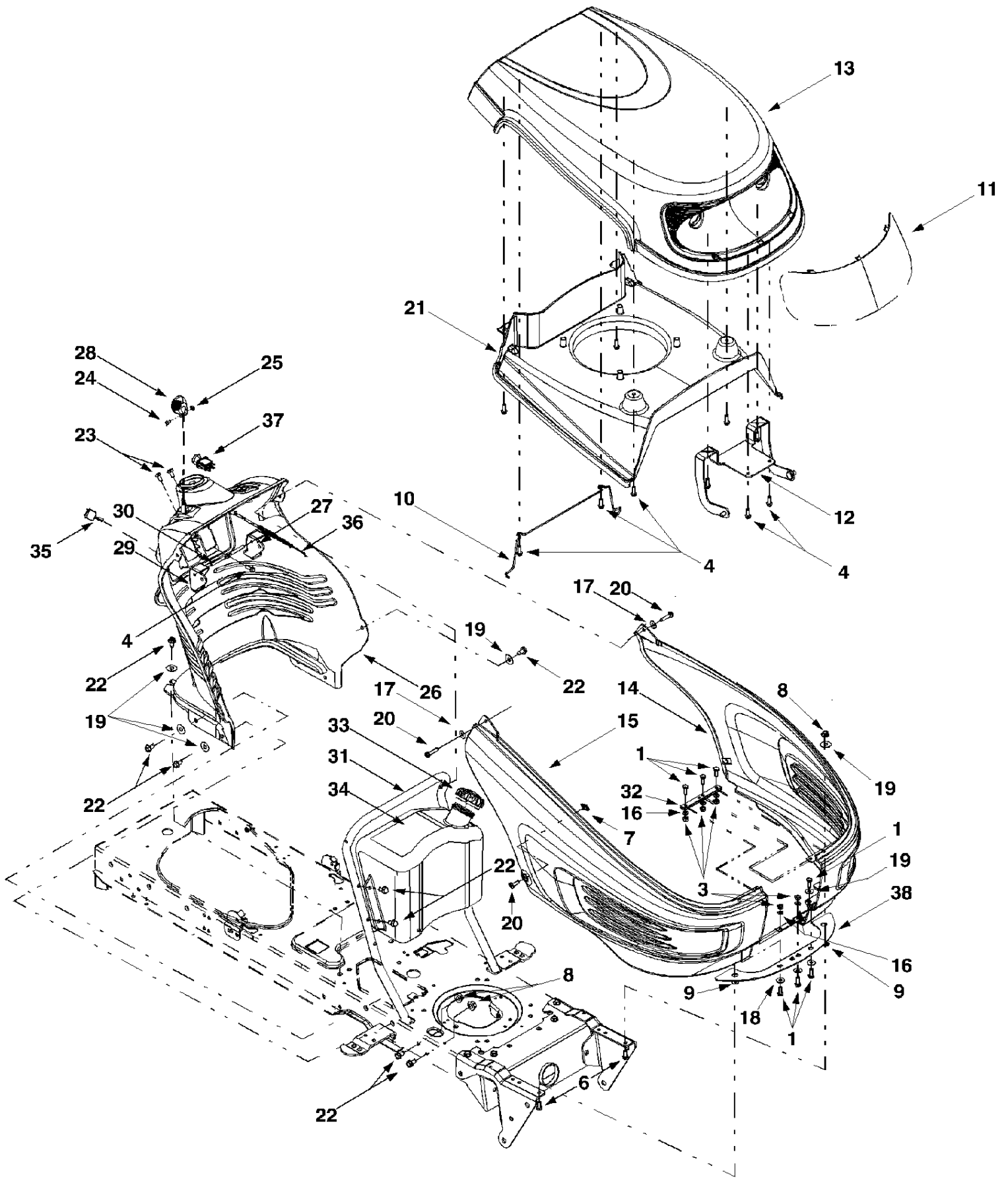
Ref #	Part Number	Qty	Description
7251718	725-1718		RELAY
7251648	725-1648		RELAY
7251716	725-1716		PTO SWITCH
7251741	725-1741		KEY SWITCH
7251657A	725-1657A		BRAKE SWITCH
7251426	725-1426		SOLENOID
7251381	725-1381		FUSE
7251643	725-1643		REVERSE SWITCH
7251747	725-1747		SEAT SWITCH



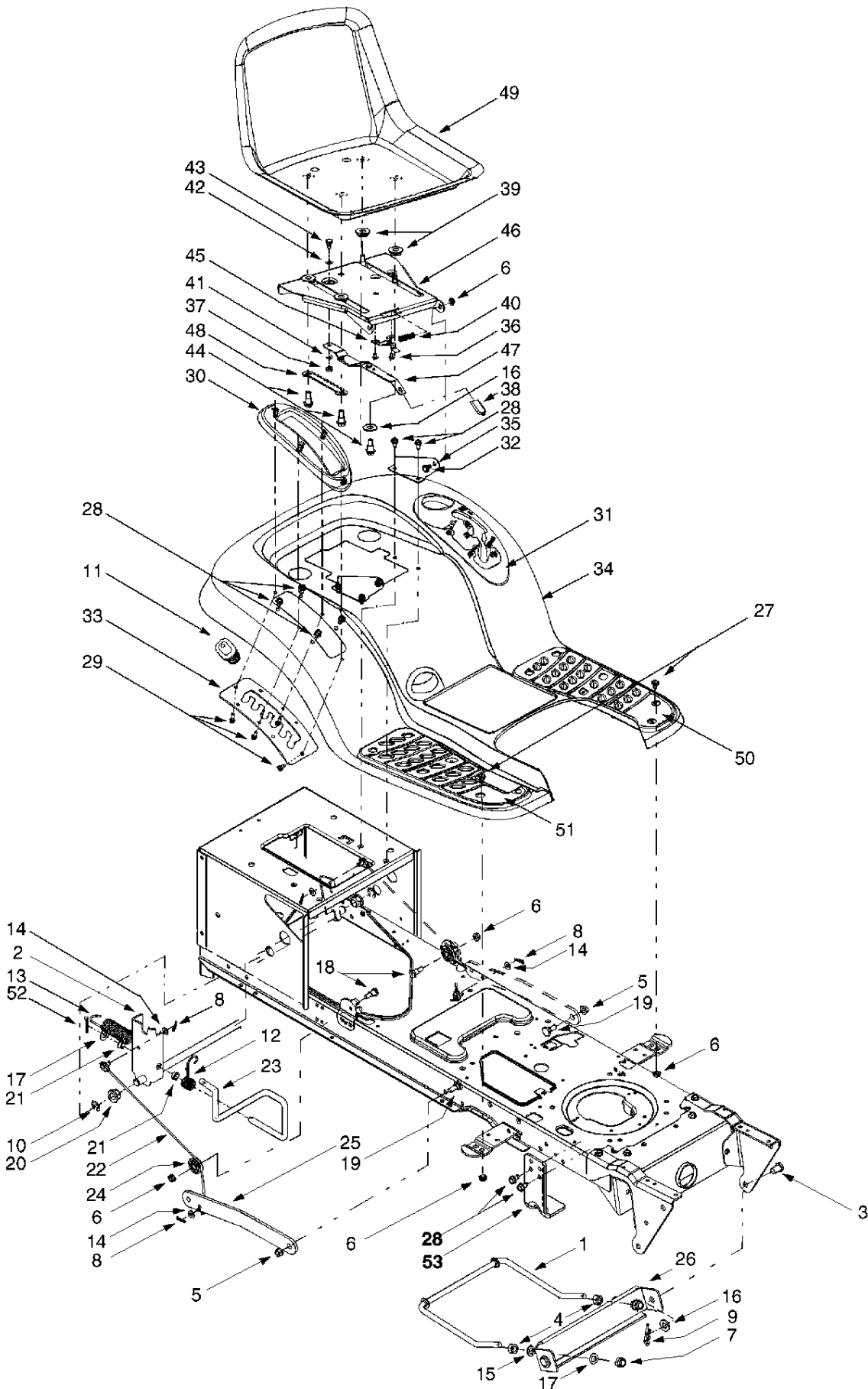
Ref #	Part Number	Qty	Description
1	710-0148		Self-tapping Screw, #8-32 x .375
2	710-0599		Self-tapping Screw, 1/4-20 x .5
3	710-0604A		Self-tapping Screw, 5/16-18 x .625
4	710-1237		Screw, #10-32 x .625
5	710-1314		Socket Cap Screw, 5/16-18 x .625
6	710-1315		Self-tapping Screw, 3/8-16 x 1.25
9	726-0205		Hose Clamp
10	736-0119		Lock Washer, 5/16
13	751-0535		Fuel Line Hose
14	751-0564		Muffler Deflector
18	751-3140		Oil Drain Valve
19	751-3141		Oil Drain Hose
20	751-3142		Oil Drain Cap
21	783-0615		Muffler Heat Shield
23	722-0263		Foam (Fits over fuel line)
25	746-1084		Throttle/Choke Cable (Industrial Plus Single)
26	751-0619		Exhaust Pipe (Industrial Plus Single)
27	751B213146		Casing Clamp
28	751-0617		Muffler, Single Inlet
29	712-0271		Hex Sems Nut, 1/4-20 (For starter cable)
30	721-0208		Exhaust Gasket (Industrial Plus Single)
31	732-0966		Extension Spring, .275 x 1.25



Ref #	Part Number	Qty	Description
1	710-0148		Self-tapping Screw, #8-32 x .375
2	710-0599		Self-tapping Screw, 1/4-20 x .5
3	710-0604A		Self-tapping Screw, 5/16-18 x .625
4	710-1237		Screw, #10-32 x .625
5	710-1314		Socket Cap Screw, 5/16-18 x .625
6	710-1315		Self-tapping Screw, 3/8-16 x 1.25
7	712-3017		Hex Nut, 3/8-16
8	721-0460		Exhaust Gasket (Industrial Plus Twin)
9	726-0205		Hose Clamp
10	736-0119		Lock Washer, 5/16
11	736-0300		Flat Washer, .406 x .875 x .059
12	751B221535		Casing Clamp
13	751-0535		Fuel Line Hose
14	751-0564		Muffler Deflector
15	751-0616		Muffler, Twin Inlet
16	751-0650		RH Exhaust Pipe (Industrial Plus Twin)
17	751-0651		LH Exhaust Pipe (Industrial Plus Twin)
18	751-3140		Oil Drain Valve
19	751-3141		Oil Drain Hose
20	751-3142		Oil Drain Cap
21	783-0615		Muffler Heat Shield
22	783-0625B		Engine Heat Shield
23	722-0263		Foam (Fits over fuel line)
24	746-1086		Throttle Cable (Industrial Plus Twin)

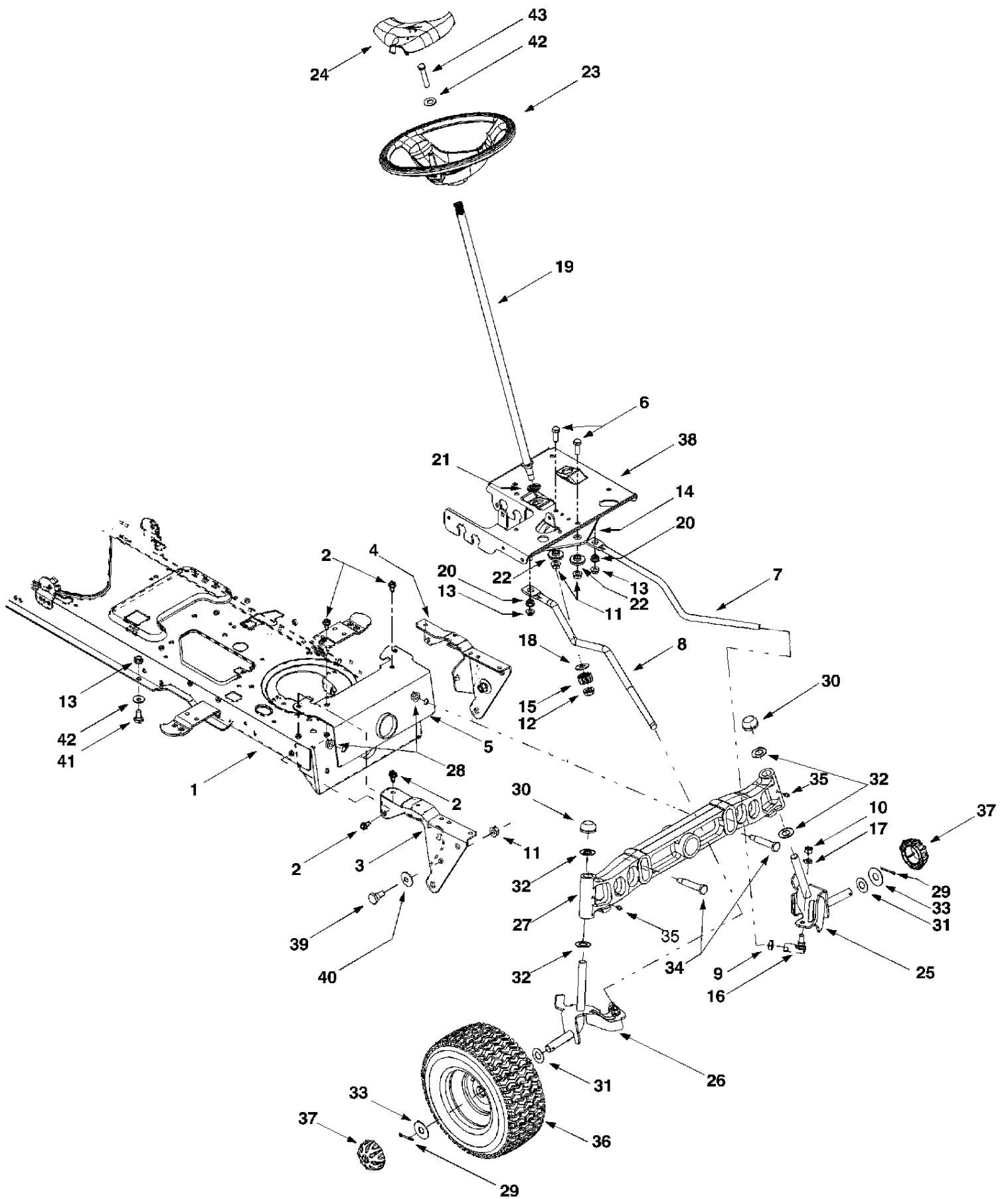


Ref #	Part Number	Qty	Description
1	710-3015		Hex Cap Screw, 1/4-20 x .75
2	710-0599		Self-tapping Screw, 1/4-20 x .5
3	712-3006		Hex Nut, 1/4-20
4	710-0895		Self-tapping Screw, 1/4-15 x .75
5	710-0924		Pan Phillips Screw, 1/4-20 x .75
6	710-0528		Hex Cap Screw, 5/16-18 x 1.25
	710-0528		Hex Cap Screw, 5/16-18 x 2.0
	750-0807		Spacer, .385 x .625 x .70
7	712-0292		U-type Speed Nut, 1/4-20
8	712-3004A		Flange Lock Nut, 5/16-18
9	726-0201		Speed Nut
10	747-1209		Hood Latch Rod
11	731-2286		Head Light Lens
12	683-0305		Hood Bracket Assembly
13	731-2283		Hood
14	731-2307		LH Side Panel
15	731-2308		RH Side Panel
16	736-0329		Lock Washer, 1/4
17	736-0342		Flat Washer, .283 x .75 x .030
18	736-0173		Flat Washer, .28 x .74 x .063
19	736-3078		Flat Washer, .349 x 1.0 x .063
20	710-0809		Self-tapping Screw, 1/4-20 x 1.25
21	731-2284		Hood Plenum
22	710-0604A		Self-tapping Screw, 5/16-18 x .625
23	710-1017		Torx Self-tapping Screw, 1/4-14 x .625
24	710-3217		Torx Screw, #8-32 x .375
25	712-0142		Hex Nut, 8-32
26	731-0071		Dash Panel
27	731-0072		Parking Brake Button
28	731-1857		Throttle Control Lever
29	731-2106		Cruise Control Button
30	747-1155		Brake/Cruise Pivot Rod
31	749-1087		Dash Support Tube
32	783-1000		Grille Support Bracket
33	751-0603		Fuel Cap (Fits Either Tank)
34	751-0658A		Fuel Tank, 3-gallon (Model LT-1850 & LT-2150)
	751-0659		Fuel Tank, 2-gallon (Model LT-1650)
35	725-1745		Ignition Key w/ plastic cover
	725-1744		Ignition Key w/o plastic cover
36	746-1085		Choke Cable
37	725-1752		Electric PTO Switch
38	731-2272		Heat Shield
	731-2232		Intake Bellow Model LT-1650; (Not Shown)
	731-2234		Intake Bellow Model LT-1850 & LT-2150; (Not Shown)



Ref #	Part Number	Qty	Description
1	747-1130		Deck Stabilizer Rod
2	683-0197		Lift Shaft Assembly
3	713-A0616G190 LT-1650 (2000)		Clevis Pin, .5 x .78
4	711-0382		Hex Nut, 1/2-13
	Seat, Fender, Frame		Flange Lock Nut, 3/8-16
5	712-0206		Flange Lock Nut, 5/16-18
6	712-0431		Hex Nut, 1/2-13
7	712-3004A		Internal Cotter Pin
8	712-3083		Internal Cotter Pin
9	714-0104		E-ring
10	714-0145		Handle Grip
11	716-0106		Torsion Spring
12	720-0311		Lift-assist Spring, 1.15 x 5.99 (Found on Units w/ 46-inch Decks Only)
13	732-0874		
	732-0934		
14	736-0275		Flat Washer, 5/16
15	736-0921		Lock Washer, 1/2
16	736-3019		Flat Washer, .31 x 1.062 x .134
17	736-3084		Flat Washer, .51 x 1.12 x .06
18	738-0138		Hex Cap Screw, 5/16-18 x .62
19	738-0143		Shoulder Screw, 3/8-16
20	741-0225		Hex Flange Bearing
21	741-0715		Snap Flange Bearing
22	746-0968		Lift Cable, 16.16
23	747-1111		Lift Handle
24	756-1154		Roller Pulley
25	783-0678		Arm Lift
26	783-0720A		Deck Stabilizer Bracket
27	710-0260		Carriage Bolt, 5/16 x .62
28	710-0604A		Self-tapping Screw, 5/16-18 x .625
29	710-0895		Self-tapping Screw, 1/4-15 x .75
30	731-1990		Lift Lever Cover
31	731-2104A		Shift Lever Cover w/ Cup Holder
32	738-0155		Shoulder Screw, .437 x 1.62
33	783-0677		Lift Adjustment Bracket
34	783-0685A		Fender
35	783-0715		Seat Mounting Bracket
36	710-1268		Screw, #10-16 x .375
37	712-3027		Hex Flange Lock Nut, 1/4-20
38	720-0309A		Seat Adjuster Grip
39	731-1989		Spacer
40	732-0499		Compression Spring, .41 x 1.5
41	736-0175		Spring Washer, .265 x .562 x .025
42	736-0204		Flat Washer, .344 x .62 x .03
43	738-0137A		Shoulder Screw, .340 x .285, 1/4-20
44	738-1007		Shoulder Screw, .50 x .50, 3/8-16
45	783-0611		Seat Stop
46	783-0738		Seat Pivot Bracket
47	783-0739		Seat Adjustment lever
48	783-0753		Seat Adjustment Selector
49	757-0350		High Back Seat, Black
50	735-0657		LH Foot Pad
51	735-0656		RH Foot Pad
	726-3046		Foot Pad Clips (Not Shown)

Ref #	Part Number	Qty	Description
52	714-0111		Cotter Pin
53	783-0891A		Deck Stop
	13AC616G190 LT-1650 (2000)		
	Seat, Fender, Frame		



Ref #	Part Number	Qty	Description
1	683-0304		Lower Frame Assembly
2	710-0604A		Self-tapping Screw, 16-18 x .625
3	783-0726A		RH Pivot Support Bracket
4	783-0727		LH Pivot Support Bracket
5	783-0728		Pivot Bar Bracket
6	710-0514		Hex Cap Screw, 3/8-16 x 1 (Grade 5)
7	711-1409		LH Drag Link
8	711-1408		RH Drag Link
9	712-0240		Jam Nut, 7/16-20 (Grade 2)
10	712-0241		Hex Nut, 3/8-24 (Grade 2)
11	712-0431		Flange Lock Nut, 3/8-16
12	712-0459		Flange Lock Nut, 7/16-20
13	712-3004A		Flange Lock Nut, 5/16-18
14	717-1550A		Steering Gear, 11/90 Ratio
15	717-1554		Steering Pinion Gear
16	723-0448A		Ball Joint, 7/16-20
17	736-0169		Lock Washer, 3/8
18	736-3084		Flat Washer, .51 x 1.12 x .06
19	738-1001A		Steering Shaft, .625 OD x 24.4
20	741-0475		Plastic Bushing, .38 ID
21	741-0656		Hex Flange Bearing, 5/8
22	738-0372		Shoulder Spacer, .38 ID
23	731-2295		Soft Touch Steering Wheel
24	731-2296		Steering Wheel Insert
25	638-0021		LH Axle Assembly (Model LT-1850 & LT-2150)
	638-0019		LH Axle Assembly (Model LT-1650)
26	638-0022		RH Axle Assembly (Model LT-1850 & LT-2150)
	638-0020		RH Axle Assembly (Model LT-1650)
27	719-0525B		Cast Iron Pivot Bar
28	712-0431		Flange Lock Nut, 3/8-16
29	714-0470		Cotter Pin
30	726-0341		Push Cap, .750
31	736-0162		Flat Washer, .64 x 1.0 x .12
32	736-0316		Flat Washer, .78 x 1.59 x .06
33	736-0285		Flat Washer, .635 x 1.589 x .06
34	738-1011		Shoulder Screw, .5 x 2.2, 3/8-16
35	737-3000		Lube Fitting, 3/16
36	634-0115		Wheel Assembly Complete, 15 x 6 x 6
	634-0051		Rim Only w/ Ball Bearing
	734-0255		Air Valve (Not Shown)
	734-1731		Tire Only, Square Shoulder
37	731-2290		Hub Cap
38	783-0653A		Steering Support Bracket
39	738-0143		Shoulder Screw, 3/8-16
40	736-0331		Bell Washer, .39 x 1.13 x .062
41	738-0140		Shoulder Screw, .435 x .178, 5/16 x .56
42	736-0242		Bell Washer, .34 x .872
43	710-0643		Hex Bolt, 5/16-18 X 1