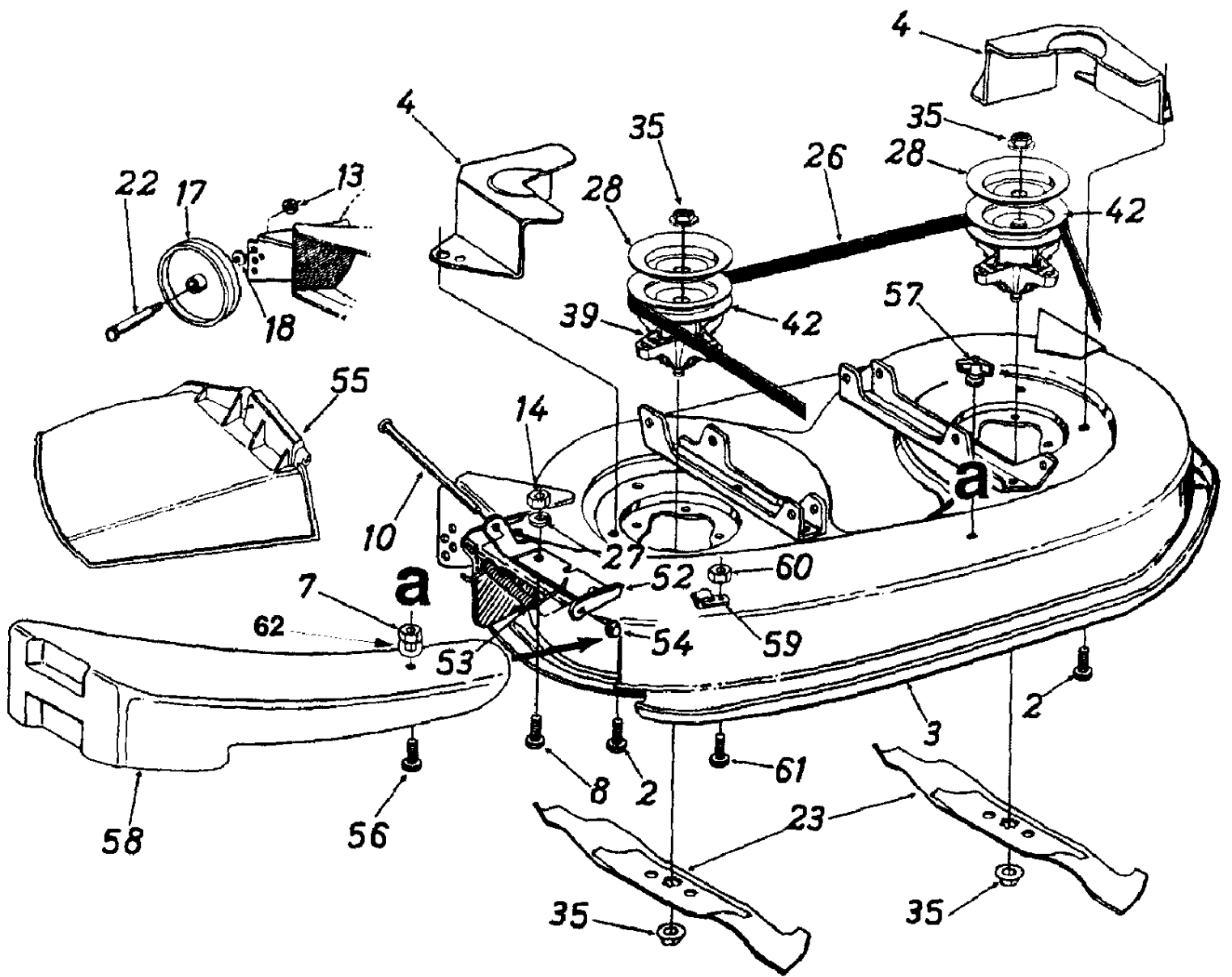
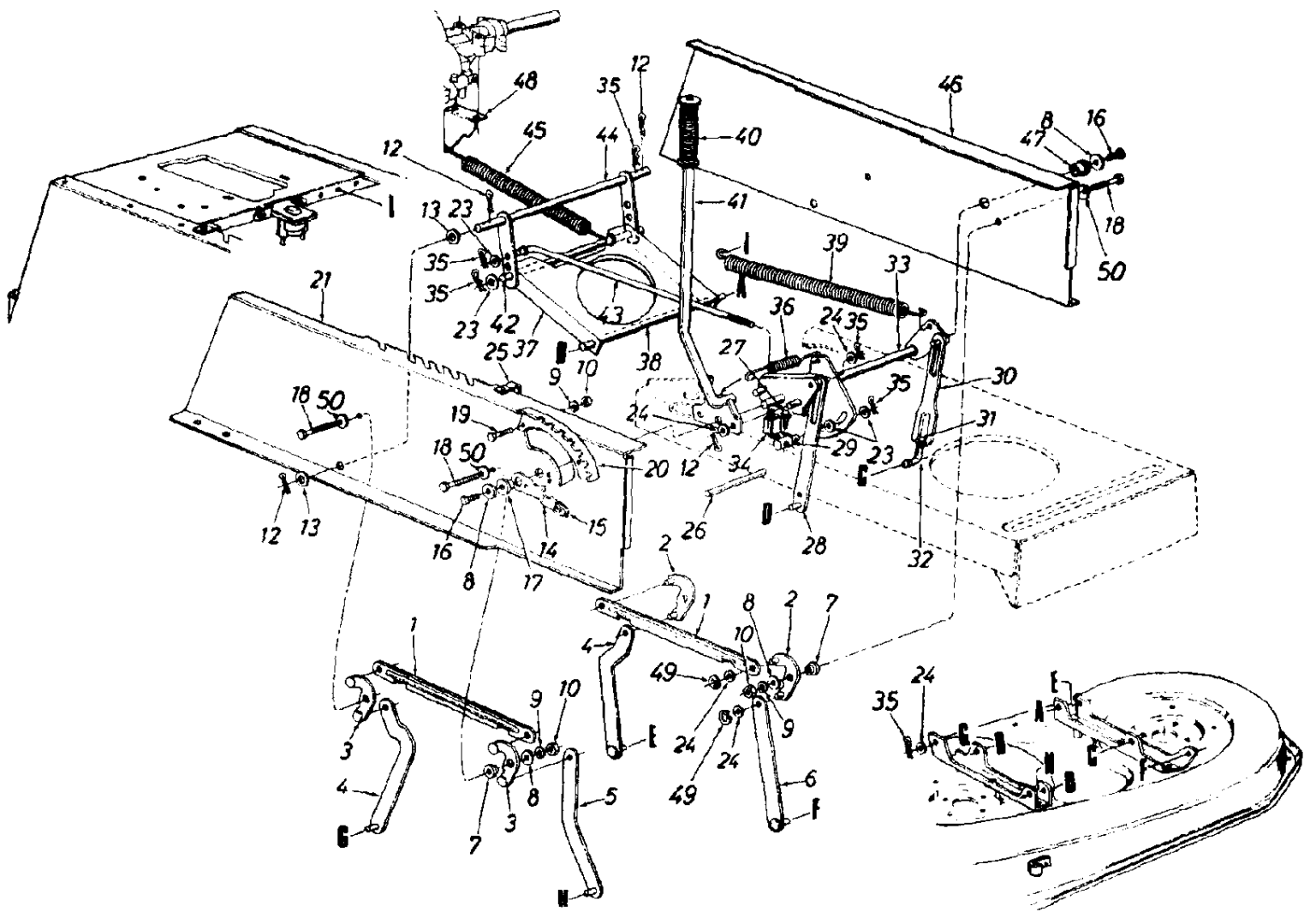


Ref #	Part Number	Qty	Description
1	731-0220		Steering Wheel Cap
1	731-1459A		Steering Wheel Cap (Sq. - MTD)
1	13A0673G131 (1999)		Steering Wheel Cap (Sq. - No logo)
1	731-1460		Steering Wheel Cap (Sq. - No logo)
2	710-0643		Hex Bolt 5/16-18 x 1" Lg.
3	736-0242		Belleville Wash. .345" I.D.
4	731-1693		Steering Wheel (3 Spoke) Uses Round Steering Wheel Cap
4	731-1687		Steering Wheel (3 Spoke) Uses Square Steering Wheel Cap
4	631-0027		Steering Wheel (4 Spoke)
5	733-0559A		Steering Bellow - 4.5" (Style A)
5	731-0954		Steering Bellow - 9" (Style 0, 1, 3, 4, 5, 6, 8, 9)
5	731-1542		Steering Bellow - 3.25" (Style 7)
6	712-0240		Hex Jam Nut 7/16-20 Thd.
7	741-0587		Flange Bearing .628" I.D. x 1.36 O.D.
8	723-0448		Ball Joint 7/16-20 Thd.
9	17198A		Retainer Plate
10	738-0141		Shoulder Bolt .437 x .35 Lg. 5/16-16
11	710-0152		Hex Bolt 3/8-24 x 1.0" Lg. (Sr. 5)
13	750-0535		Spacer .380" I.D. x .625" O.D. x
14	736-0217		L-Wash. 3/8" I.D. (H.D.)
15	710-0726		Hex Wash. Hd. Self-Tap Scr.
16	711-1107		Steering Drag Link
17	783-0041B		Front Pivot Brkt.
18	738-0527		Shoulder Bolt
19	712-0431		Flanged L- Nut 3/8-16 Thd.
21	712-0411		Hex L-Nut 5/16-24 Thd.
22	16481A		Steering Arm Front Axle
23	710-0772		Hex Bolt 5/16-24 x 2.00" Lg.
24	741-0659		Hex Flg. Brg. .632 I.D.
25	683-0128		Pivot Bar Ass'y. (Steel)
25	719-0342A		Pivot Bar Ass'y. (Cast Iron)
25	737-0211A		Grease Fitting (Cast Iron) (Optional)
25	737-0212A		Grease Plug
26	683-0127		Front Axle Ass'y. - L.H.
26	683-0125		Front Axle Ass'y. - L.H. (46" Deck)
27	712-0241		Hex Nut 3/8-24 Thd.
28	736-0169		L-Wash. 3/8" I.D.
29	723-3018		Ba U Joint 3/8-24 Thd.
30	747-0753		Tie Rod (Adjustable)
30	747-0861		Tie Rod (Non-Adjustable)
31	712-0711		Hex Jam Nut 3/8-24 Thd.
32	683-0126		Front Axle Ass'y. - R.H.
32	683-0124		Front Axle Ass'y. - R.H. (46" Deck)
33	634-0056		Wheel Ass'y. Comp. (15" x 6" Round Shoulder)
33	734-0864		Tire Only (15" x 6" Round Shoulder)
33	634-0105		Wheel Ass'y. Comp. (15" x 6" Square Shoulder)
33	734-1731		Tire Only (15" x 6" Square Shoulder)
34	634-0024		Rim Only replace with 753-0838 rim kit
	734-0255		Air Valve
35	741-0706		Flange Bearing w/Fitting use with 634-0172 rim, see below

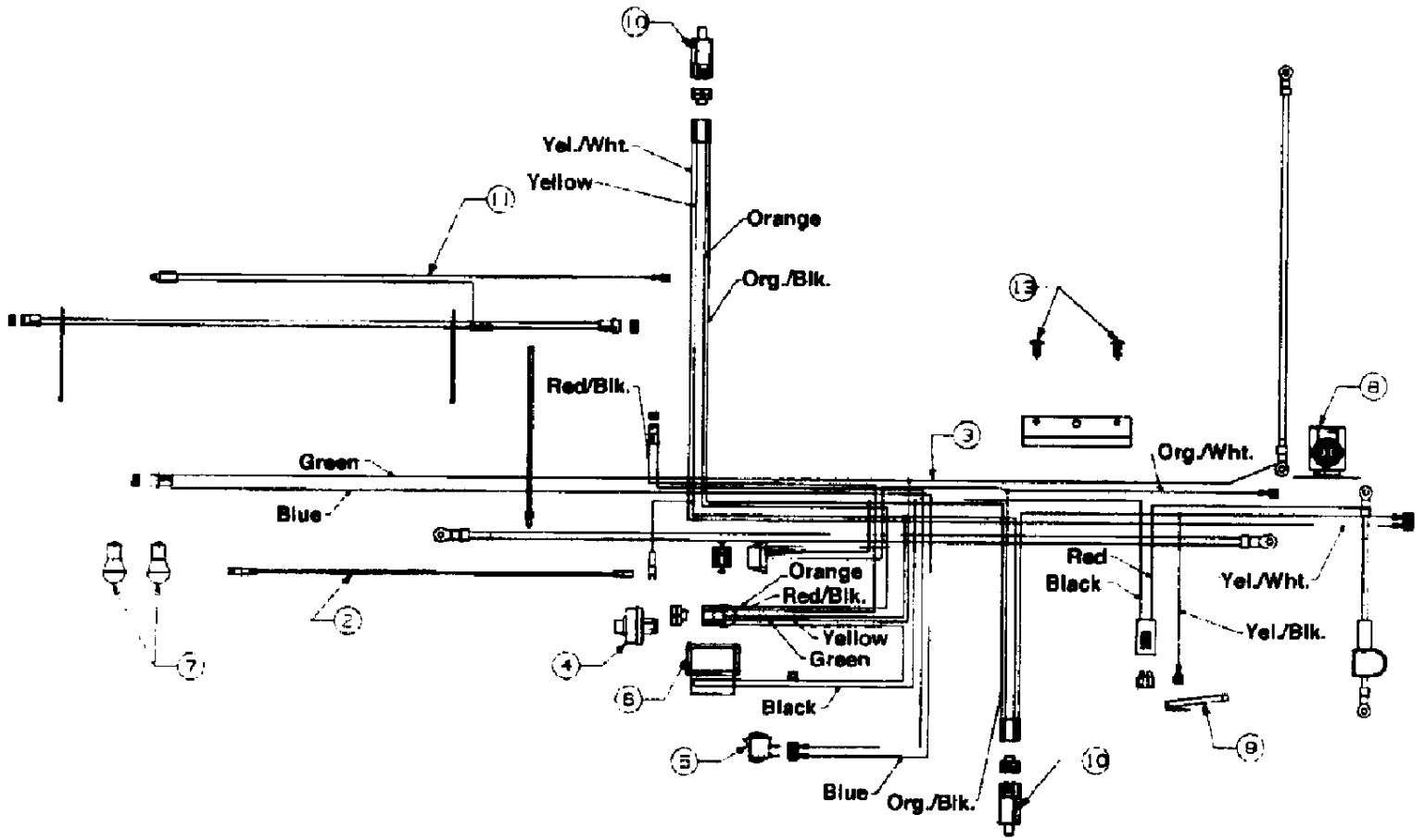
Ref #	Part Number	Qty	Description
35	741-0487A		Bearing
36	736-0285		FI-Wash. .635 I.D. x 1.59" O.D.
37	731-0484A		Front Wheel Hub Cap
37	734-1787A		Spoked Hub Cap (Yellow-Optional)
37	734-1613A		Spoked Hub Cap (Gray-Optional)
37	734-1612A		Spoked Hub Cap (Beige-Optional)
38	714-0470		Cotter Pin 1/8" Dia. x 1.25"
39	736-0531		FI-Wash. .640" I.D. x 1.24" O.D.
40	726-0214		Push Cap 5/8" Dia. Rod
42	712-0262		Hex Jam Nut 3/8-24 Thd.
43	710-1309		Hex Patch Bolt 5/16-18 x .62"
44	736-0119		L-Wash. 5/16" I.D.
46	748-0389		Cap
47	712-0214		Hex Cent. L-Nut 3/8-24 Thd.
48	736-0169		L-Wash. 3/8" I.D.
49	712-0158		Hex Cent. L-Nut 5/16-18 Thd.
50	736-0119		L-Wash. 5/16" I.D.
51	717-0622A		Steering Gear Segment
52	741-0656		Hex Flg. Brg. .634 I.D.
53	736-0187		FI-Wash. (Hardened)
54	738-0919		Steering Shaft
57	710-0837		Oval Hd. Cr. - Sunk Scr. (Style A)
58	736-0271		Wave-Wash. .32" I.D. x .62" O.D.
59	736-0187		FI-Wash. (Hardened)
60	723-0448		Drag Link Ball Joint 7/16-20 Thd.
61	736-0607		Ext. L-Wash. 5/16" I.D.
63	727-0425A		Spring Clip (Used w/Spoked Hub Cap)
64	736-0356		Bell-Wash. .39" I.D. x 1.38" O.D.
65	731-1291A		Pivot Bar End Cap (Optional)
66	710-0459		Hex Bolt 3/8-24 x 1.5" Lg. (Gr. 5)
69	731-1649		Axle Cap
70	731-0955		Steering Wheel Insert (Optional)
	753-0838		Rim Assembly Kit with bearings and 634-0172 rim Does not include tire
	634-0172		Rim Only
	741-0706		Flange Bearing w/Fitting
	741-0487A		Flange Bearing



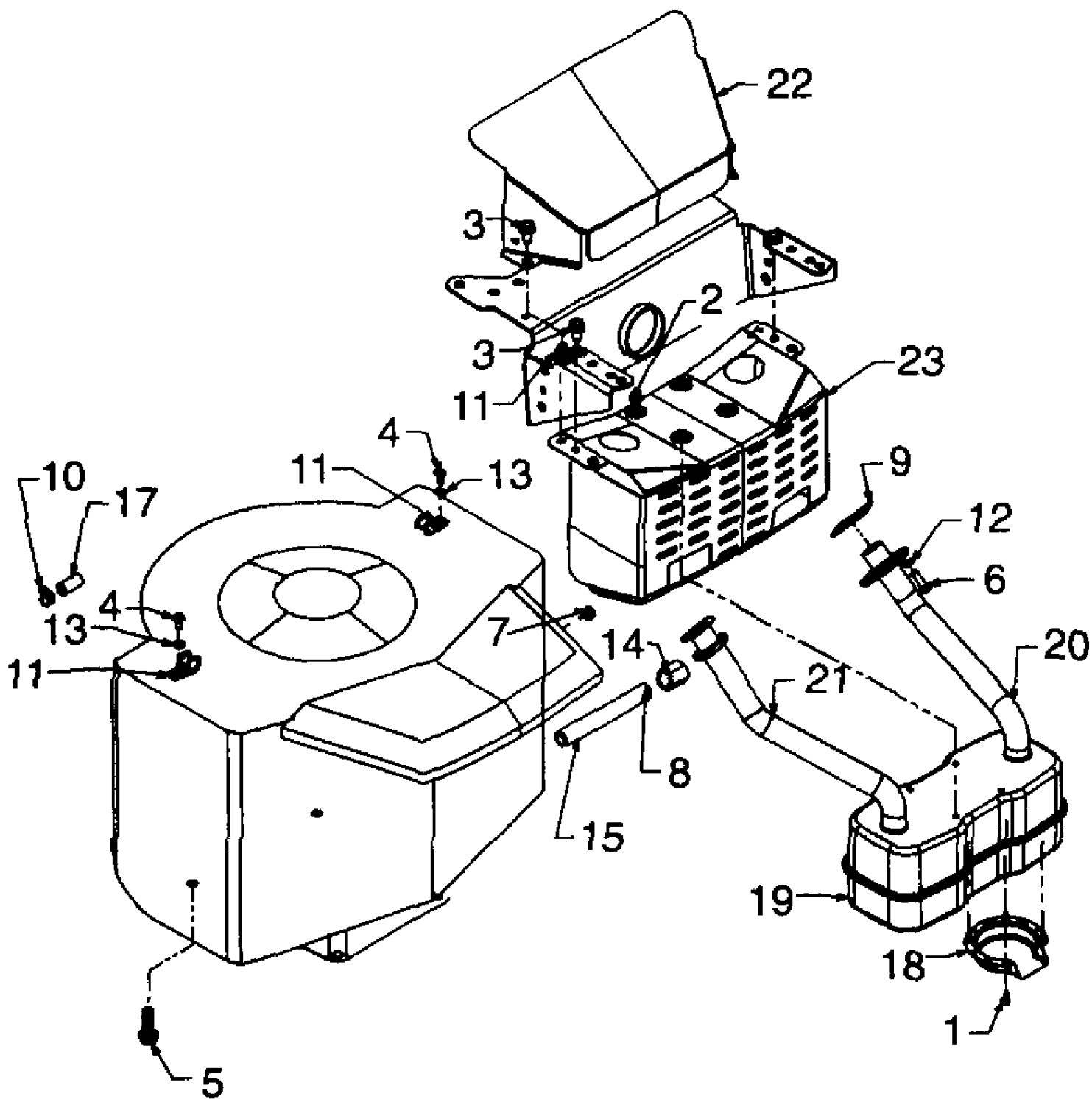
Ref #	Part Number	Qty	Description
2	710-1260A		Hex Wash. TT-Tap Scr. 5/16-18 x .75"
3	683-0141 734-0673G131 (1999) 753-0698 Deck Assembly "G"		42" Deck Ass'y. (Optional) Page 5 of 25 42" Deck Ass'y. Comp. (For Service)
4	783-0149		Belt Guard Deck
7	712-3006		Hex L-Nut 1/4-20 Thd. (Optional)
8	710-0751		Hex Bolt 1/4-20 x .62"
10	711-0792		Hinge Pin
13	712-0181		Hex Top L-Nut 3/8-16 Thd.
14	712-3006		Hex Nut 1/4-20 Thd. (Gr. 5)
17	734-0973		Deck Wheel - 5"
18	736-0105		Bell-Wash. .40" I.D. x .88" O.D.
22	738-0373		Shld. Bolt .498" Dia. x 1.53"
23	742-0616		3 in 1 Blade
26	754-0371A		V-Belt
27	736-0270		Bell-Wash. 1/4" I.D.
28	783-0342		Brake Disc
33	710-0157		Hex Bolt 5/16-24 x .75" Lg.
35	712-0417A		Hex Flange Nut 5/8-18 Thd. (Optional)
37	736-0158		L-Wash. 5/8" I.D.
39	618-0142		Blade Spindle Ass'y. (Incl. Ref. 28, 35, 42)
42	756-0980		5.75" Dia. Pulley (Optional)
52	703-1693		Hinge Mtg. Brkt.
53	732-0602		Torsion Spring
54	726-0106		Push Nut
55	731-1032		Chute Ass'y. (Incl. Ref. 10, 52, 53, 54, 55)
56	710-0597		Hex Bolt 1/4-20 x 1" Lg. (Optional)
57	712-3087		Wing Nut 1/4-20 Thd. (Optional)
58	731-1643A		Mulching Plug (Optional)
59	16606		Retainer Hook Brkt.
60	712-0271		Hex Sems Nut 1/4-20 Thd.
61	710-0751		Hex Bolt 1/4-20 x .62" Lg.
62	736-0173		Flat Washer .28 ID x .74 OD



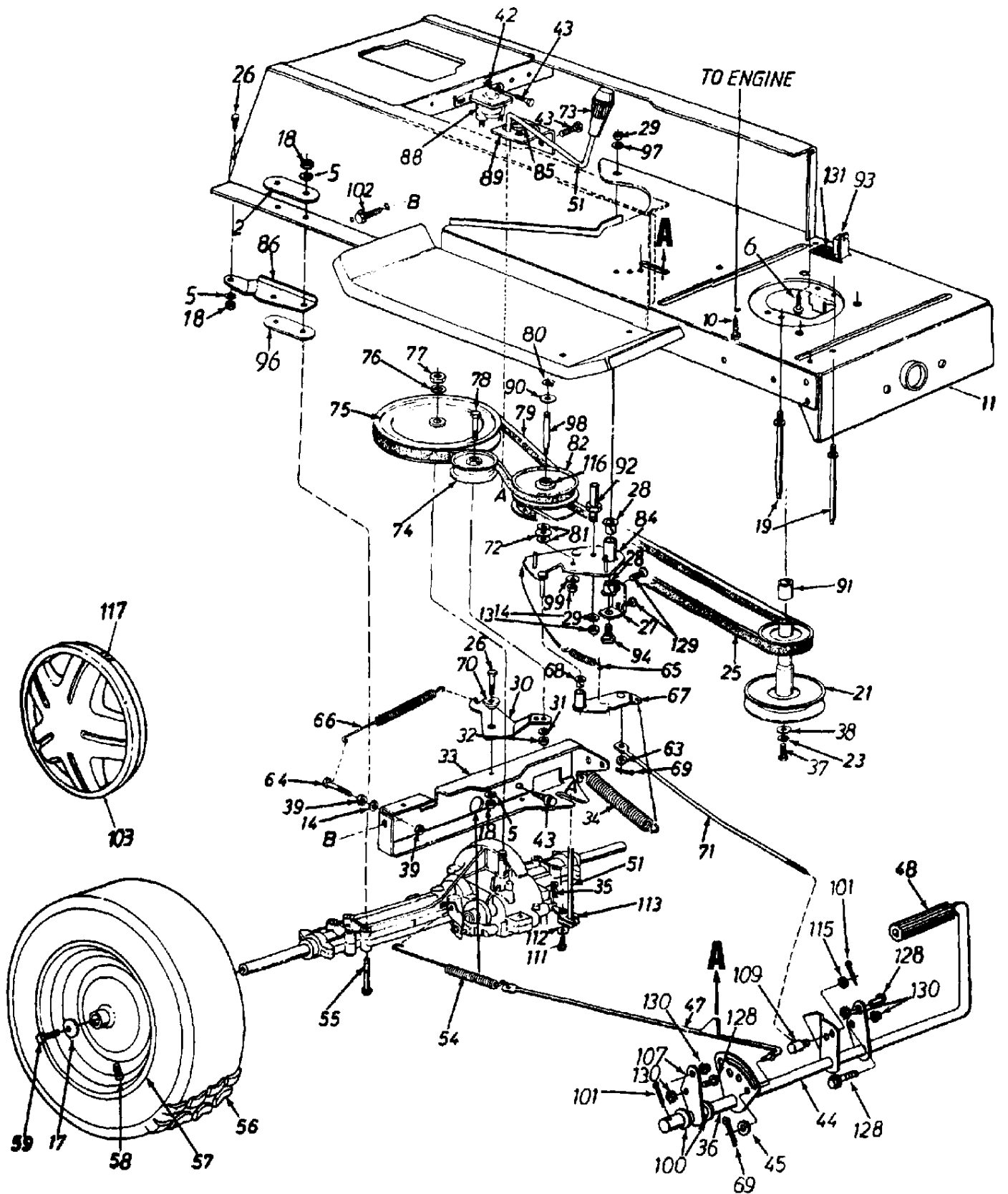
Ref #	Part Number	Qty	Description
1	783-0103		Connecting Rod
2	683-0029A		Pivot Link Ass'y. - L.H.
3	683-0028A		Pivot Link Ass'y. - R.H.
4	17710		Deck Hanger Link Ass'y.
5	14800A		Deck Hanger Link Ass'y.
6	14804A		Deck Hanger Link Ass'y.
7	748-0331		Shld. Spacer .318" I.D.
8	736-0231		Fl-Wash. .344" I.D. x 1.125" O.D.
9	736-0119		L-Wash. 5/16" I.D.
10	712-3010		Hex Nut 5/16-18 Thd. (Gr. 5)
12	714-0470		Cotter Pin 1/8" Dia.
13	736-0256		Fl-Wash. .635" I.D. x 1.0" O.D.
14	683-0003		Hgt Adj. Stop Lever Ass'y. (Incl. #15; Optional)
15	08540		Knob (Optional)
16	710-0604		Hex Wash. TT-Tap Scr. 5/16-18 x .75"
17	748-0176		Flange Brg. .63" I.D. (Optional)
18	710-1238		Hex Wash. Hd. Scr. 5/16-18 x .875" Lg.
19	710-3008		Hex Bolt 5/16-18 x .75" Lg.
20	17730		Index Brkt.
21	783-0042B		Upper Frame - R.H.
23	736-0267		Fl-Wash. .385" I.D. x .87" O.D.
24	736-0160		Fl-Wash. .531" I.D. x .93" O.D.
25	726-0272		Clamp
26	738-0526		Running Board Rod
27	710-3007		Hex Wash. Hd. Tap Scr.
28	14802A		Link Deck Lift Ass'y.
29	711-0723A		Adj. Ferrule 3/8-24 Thd.
30	17712		Adj. Deck Lift Link
31	712-3066		Hex Nut 1/2-20 Thd. (Gr. 5)
32	711-0841		Lift Link Adjuster
33	17637A		Lift Shaft Ass'y.
34	725-1657A		Safety Switch (Deck)
35	714-0145		Inter. Cotter Pin 3/8" Dia.
36	732-0637		Extension Spring
37	17636C		Stabilizer Bracket
38	738-0670		Shaft 1/2" Dia. x 10.28" Lg.
39	732-0638		Extension Spring
40	720-0233		Grip (Lift Handle)
41	97675A		Deck Lift Handle Ass'y.
42	738-0669		Shaft 3/8" Dia. x 9.34" Lg.
43	747-0598		Disengagement Rod
44	97624		Stabilizer Shaft Ass'y.
45	732-0556		Extension Spring 7.58" Lg.
46	783-0043		Upper Frame - L.H.
47	741-0313		Flange Brg. .632" I.D.
48	17128A		Spring Retainer Brkt.
49	716-0104		"E"-Ring
50	736-0425		Bell-Wash. .325" I.D.



Ref #	Part Number	Qty	Description
2	629-0208		Harness Adapter
3	629-0302B 13A0673G131 (1999) 629-0301B Electrical		Wire Harness w/Light Switch & Amp Wire Harness w/o Light Switch & Amp
4	725-0267		Ignition Switch
5	725-0634		Light Switch
6	725-0925		Ammeter
7	725-0963		Bulb
8	725-1426		Solenoid
9	725-1643		Safety Switch (Reverse)
10	725-1657A		Safety Switch
11	629-0125		Harness Adapter (Alt.)
13	726-3046		Ratchet



Ref #	Part Number	Qty	Description
1	710-0148		Hex Tap Scr. #8-32 x .38" Lg.
2	710-0599		Hex Wash. TT-Tap Scr. 1/4-20 x 5" Lg.
3	710-0604		Hex Wash. TT-Tap Scr. 5/16-18 x .62" Lg.
4	710-0779A		Truss Mach. Scr. #10 x .5" Lg.
5	710-1315		Hex Hd. Tap Scr. 3/8-16 x 1.25" Lg.
6	710-3015		Hex Bolt 1/4-20 x .75" Lg.
7	712-0271		Hex Sems Nut 1/4-20 Thd.
8			UNKNOWN
9	721-0346		Exhaust Gasket
10	726-0205		Hose Clamp
11	726-0272		Clamp
12	736-0329		L-Wash. 1/4" I.D.
13	736-3067		FI-Wash. .188" I.D. x .438" O.D.
14	737-0143		Oil Drain Cap
15	737-0164		Pipe Nipple 3/8 x 18 NPT.
17	751-0535-26		Fuel Line 26" Lg.
18	751-0564		Deflector: Muffler
19	751-0616		Muffler
20	751-0623		Exhaust Pipe - L.H.
21	751-0624		Exhaust Pipe - R.H.
22	783-0357		Heat Shield
23	783-0615		Muffler Bracket

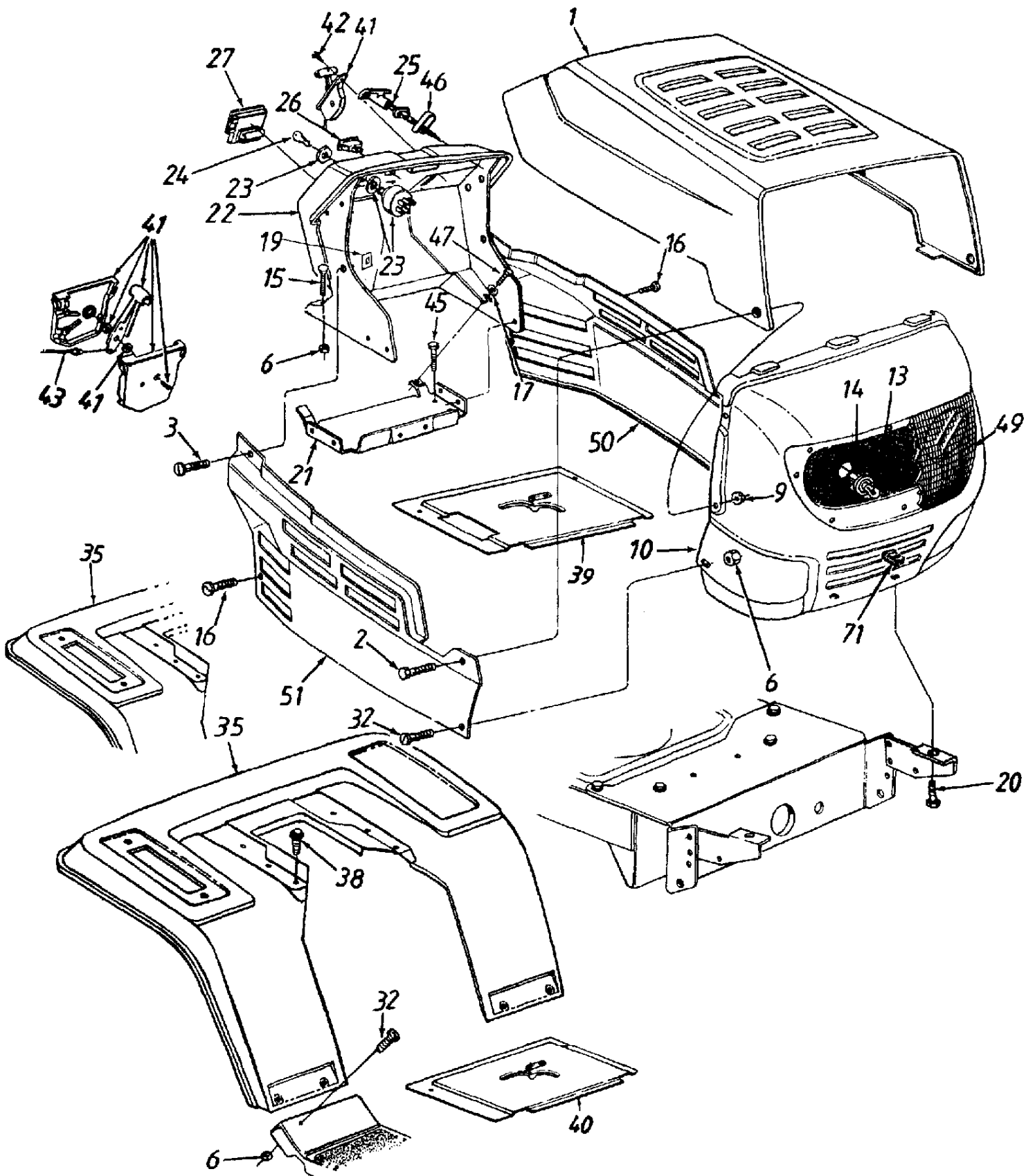


IMPORTANT: For a proper working machine, use Factory Approved Parts.
V-BELTS are specially designed to engage and disengage safely. A substitute (non OEM) V-belt can be dangerous by not disengaging completely.

Ref #	Part Number	Qty	Description
2	17840		Transaxle Mtg. Brkt.
5	736-0119		L-Wash. 5/16" I.D.
6	710-0599		Self-Tap Screw 1/4 x .50
10	710-1315		Hex TT-Tap Scr. 3/8-16 x 1.5" Lg.
11	783-0310C		Lower Frame Ass'y.
13	712-3006		Hex Nut 1/4-20 Thd. (Gr. 5)
14	736-0329		L-Wash. 1/4" I.D.
17	736-0242		Bell-Wash. .345" I.D. x .88"
18	712-3010		Hex Nut 5/16-18 Thd. (Gr. 5)
19	711-1044		Belt Guard Stud 4.75" Lg.
21	756-0982		Engine Pulley
22	736-0322		FI-Wash. 7/16" I.D. x 1.25"
23	736-0171		L-Wash. 7/16" I.D.
24	710-0757		Hex Bolt 7/16-20 x 1.50" Lg.
25	754-0280		Variable-Speed Belt
26	710-3008		Hex Bolt 5/16-18 x .75" Lg.
27	17963		Bearing Shaft Bracket Ass'y.
28	741-0495		Flanged Nyliner Brg. 5/8" I.D. x .88" Lg.
29	712-0241		Hex Nut 3/8-24 Thd.
30	17643		Idler Bracket (Used w/20" Wheels w/o 46" Deck)
	17694		Idler Bracket (Used w/46" Deck)
31	736-0169		L-Wash. 3/8" I.D.
32	712-0241		Hex Nut 3/8-24 Thd.
33	17629A		Transaxle Support Brkt.
34	732-0556		Ext. Spring .94" O.D. x 7.58"
35	714-0149B		Inter. Cotter Pin
36	750-0802		Spacer .63" I.D.
37	710-3029		Cap Screw 7/16-20 x 1.25
38	736-0322		Flat Washer .450
39	712-0138		Hex Nut 1/4-28 Thd.
40	710-0776		Hex AB-Tap Scr. 1/4" x .62" Lg.
42	736-0222		Ext. L-Wash. 1/4" I.D.
43	710-0599		Hex Wash. S-Tap Scr. 1/4-20 x .50" Lg.
44	683-0123		Clutch/Brake Pedal Ass'y.
45	736-0140		FI-Wash. .344" I.D. x .62"
47	747-0755A		Brake Rod Ass'y.
48	735-0196		Foot Pad
51	17705		Shift Lever Ass'y.
54	732-0413		Ext. Spring .59" O.D. x 7.08" (Used w/20" Wheels w/o 46" Deck)
	732-0642		Ext. Spring 7.33" Lg. (Used w/46" Deck)
55	710-1068		Hex Bolt 5/16-16 x 3.5" Lg. (Used w/46" Deck)
	710-0189		Hex Bolt 5/16-18 x 3" Lg. (Used w/20" Wheels w/o 46" Deck).
56	734-1675		Wheel Ass'y. 20" x 8.0" (Round Shoulder) Comp.
	634-0104		Wheel Ass'y. 20" x 8.0" (Square Shoulder) Comp.
	734-1596		Tire Only 20" x 8.0" (Round Shoulder) Comp.
	734-1730		Tire Only 20" x 8.0" (Square Shoulder) Comp.
57	634-0070		Wheel Rim Only 20" x 8.0" (Round Shoulder) Comp.
	634-0070		Wheel Rim Only 20" x 8.0" (Square Shoulder) Comp.

Ref #	Part Number	Qty	Description
58	734-0255		Air Valve (Service Only)
59	710-0627		Hex Bolt 5/16-24 x .75" Lg.
63	736-0275		FI-Wash. .34" I.D. x .68" O.D.
64	710-0428		Hex Bolt 1/4-28 x 1.25" Lg.
65	732-0568		Ext. Spring
66	732-0384		Ext. Spring .62" O.D. x 6.12"
67	16554A		Variable Speed Torque Brkt. Ass'y.
68	741-0419		Flanged Bearing
69	714-0111		Cotter Pin 3/32" Dia.
70	748-0234		Shoulder Spacer .27" Lg.
71	747-0530A		Speed Control Link
72	741-0405		Truss Bearing .56 Dia. x 1.25"
73	720-0232		Shift Knob
74	756-0643		FI-Idler Pulley 3.12" Dia.
75	656-0005		"V" Pulley (Used w/46" Deck)
	656-0004		"V" Pulley (Used w/20" Wheels w/o 46" Deck)
76	736-0427		Bell-Wash. .56" I.D. x 1.125"
77	712-3035		Hex Jam Nut 5/16-18 Thd.
78	710-0539		Hex Bolt 3/8-24 x 1.75" Lg.
79	754-0370		Variable Speed Belt
80	716-0114		Snap Ring .56" Dia.
81	736-0355		FI-Wash.
82	717-0800A		Variable Speed Pulley Ass'y.
84	16354B		Variable Speed Brkt. Ass'y.
85	732-0525		Comp. Spring - Clip
86	17668		Axle Support Brkt. - R.H.
	17669		Axle Support Brkt. - L.H. (Not Shown)
88	725-1426		Solenoid
89	17630		Shift Lever Bracket
90	736-0414		Teflon Washer.565" I.D.
91	750-0956		Spacer 1" I.D. x 1.25" Lg.
92	711-1000		Belt Keeper 3" Lg.
93	725-1657A		Safety Switch (Clutch)
94	738-0755		Shld. Bolt 3/8-24 x 3.12" Lg.
96	748-0334		transaxle Spacer (Use with 18" wheels or 46" deck)
97	736-0105		Bell-Wash. .38" I.D. x .88"
98	738-0569		Shaft .56" Dia. x 3.875" Lg.
99	736-0331		Bell-Wash. .39" I.D. x 1.12"
100	736-0256		FI-Wash. .64" I.D. x .94"
101	714-0470		Cotter Pin 1/8" Dia. x 1.25"
102	710-0604		Hex Wash. Hd. Scr. 5/16-18 x .62"
103	734-1615A		Hub Cap (Gray) (Optional)
	734-1614A		Hub Cap (Beige) (Optional)
	734-1788A		Hub Cap (Yellow) (Optional)
107	17860		Pedal Bracket
109	711-0198		Ferrule
111	710-0195		Hex Bolt 1/4-28 x .50" Lg.
112	736-0270		Bell-Wash. .265" I.D. x .75"
113	17707		Shift Lever Link Ass'y.
115	736-0140		FI-Wash, .385" I.D. x .62"
116	741-0404		Needle Brgs. (2 Req'd.)
117	727-0425A		Spring Clip (Used w/Ref. No. 103)
128	710-1238		Hex Wash. TT-Tap Scr. 5/16-18 x .75"
129	710-0726		Hex Wash. AB-Tap Scr. 5/16-18 x .75"

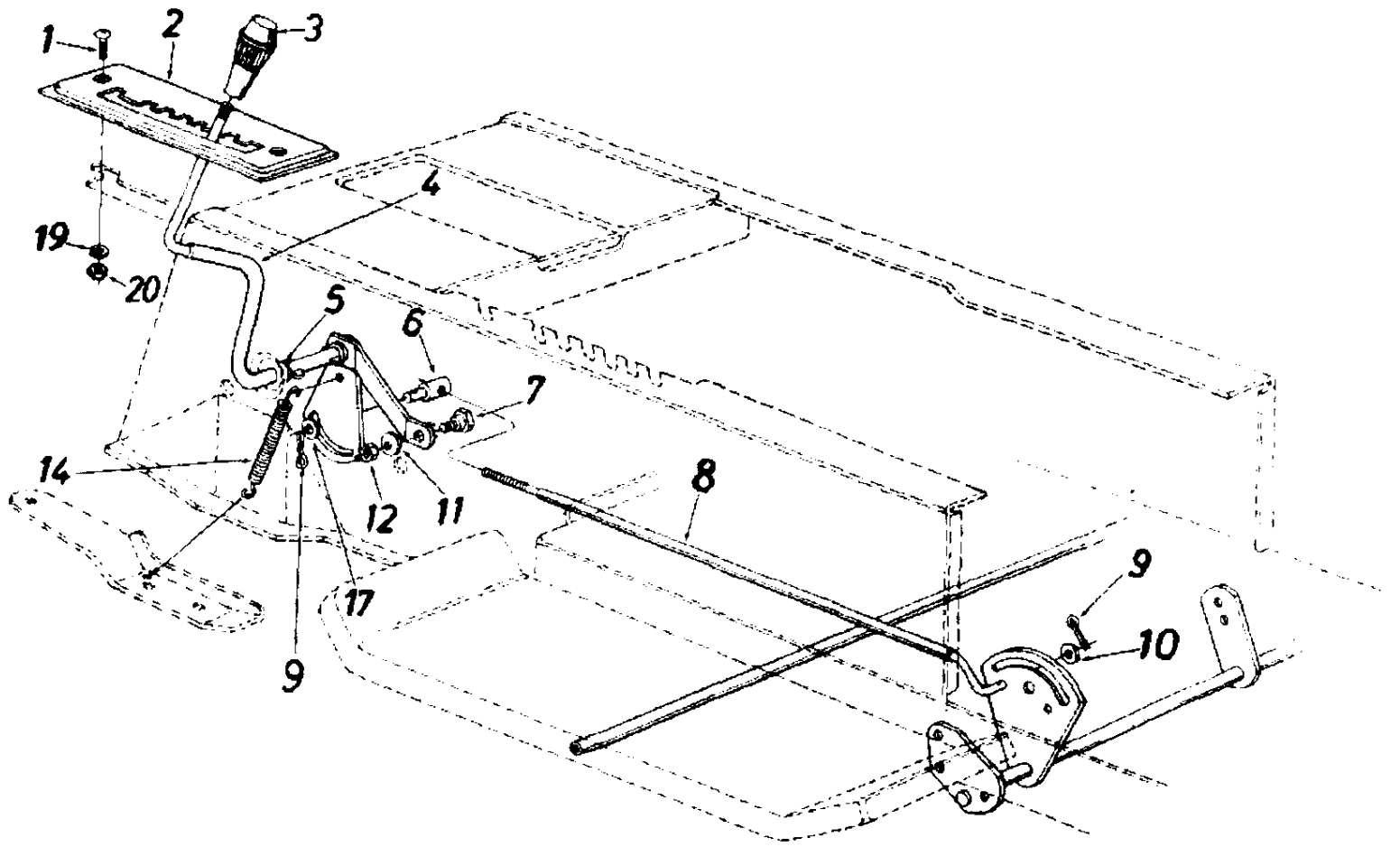
Ref #	Part Number	Qty	Description
130	712-0265		Hex Sems Nut 5/16-18 Thd.
131	732-0750A		Spring Switch
	13A0673G131 (1999)		
	Frame, Drive, Wheels, Rear		



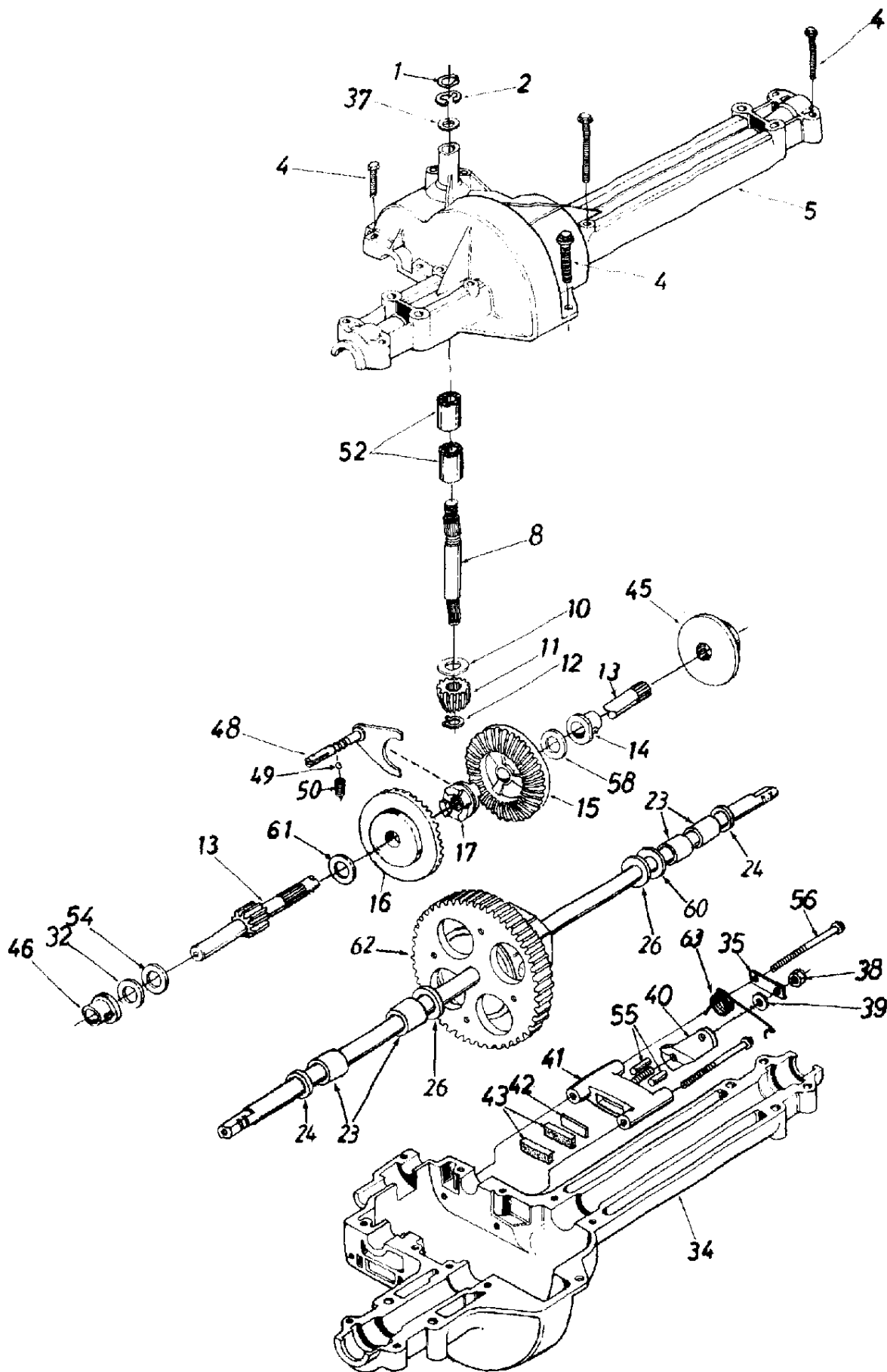
Ref #	Part Number	Qty	Description
1	783-0250		Hood
2	738-0952		Shld. Bolt .375" Dia. x .125" Lg.
3	710-0924		Pan Hd. Scr. 1/4-20 x .75" Lg.
6	712-0271		Hex Sems Nut 1/4-20 Thd.
9	712-3027		Flange L-Nut 1/4-20 Thd.
10	783-0156A		Grille
13	725-0963		Lamp
14	725-1651		Socket
15	710-0703		Carriage Bolt 1/4-20 x .75" Lg.
16	710-0599		Hex Wash. Hd. TT-Tap Scr. 1/4-20
17	736-0173		Fl-Wash. .281" I.D. x .73" O.D.
19	712-0185		Speed Nut 1/4-20 Thd.
20	710-0376		Hex Bolt 5/16-18 x 1" Lg. (Gr.5)
21	17632A		Gas Tank Support Brkt.
22	731-1096B		Dash w/Ammeter Hole
	731-1337A		Dash w/o Ammeter Hole
23	725-0267		Ignition Switch
24	725-0201		Ignition Key
25	746-0616A		Choke Control 23" Lg.
	746-0614A		Choke Control 38" Lg.
	746-3021		Choke Control 29" Lg.
	746-0720		Choke Control 20" Lg.
26	725-0634		Light Switch (Optional)
27	725-0925		Ammeter (Optional)
32			UNKNOWN
34	17870A		Fender
35	17871B		Fender w/Cutout
38	710-0726		Hex Wash. Hd. AB-Tap Scr.
39	17954B		Shift Cover w/Cutout
40	17286B		Shift Cover
41	831-0823A		Throttle Box Ass'y.
42	710-0779A		Truss Mach. AB-Tap Scr. #10 x .5"
43	746-0776		Throttle Control Wire 18.5" Lg.
	746-0634		Throttle Control Wire 35" Lg.
	746-0638		Throttle Control Wire 22" Lg.
45	710-0603		Hex Wash. Hd. B-Tap Scr. 5/16-18
46	17782		Choke Retainer
47	710-0642		Hex TT-Tap Scr. 1/4-20 x .75"Lg.
49	731-1503A		Lens
50	783-0151		Side Panel L.H.
51	783-0150A		Side Panel R.H.
71	726-0211		U-Nut 5/16-18 Thd.
72	710-0286		Truss Mach. Scr. 1/4-20 x .5" Lg.
74	732-0835		Hood Latch (Optional)
75	710-0473		Truss Mach. Scr. #10-24 x .5"
76	712-0272		Hex Sems Nut 10-24 Thd. (Optional)
	629-0309		Headlight Harness (Not Shown)

Ref #	Part Number	Qty	Description
2	710-1208		Hex Tap Scr. 5/16-18 x 3.25"
6	783-0039A		Seat Pivot Bracket
7	751-0603		Fuel Cap
8	751-0555		Fuel Tank (1.5 Gal)
	751-0657		Fuel Tank (3 Gal.)
9	726-0209		Tie Strap
10	751-0535-15		Fuel Line
11	726-0205		Hose Clamp
13	712-0287		Hex Nut 1/4-20 Thd.
14	736-0329		L-Wash. 1/4" I.D.
16	732-0735		Compression Spring
21	738-0526		Running Board Rod
22	710-0227		Hex AB-Tap Scr. #8 x .50" Lg.
23	726-0139		Speed Nut #102
24	783-0041A		Front Pivot Brkt.
25	710-0870		Hex Tap Scr. 3/8-16 x .62" Lg.
26	710-0726		Hex Wash. Hd. AB-Tap Scr. 5/16 x .75"
28	710-0134		Carriage Bolt 1/4-20 x .62"
29	17770C		Running Board (R.H. & L.H.)
30	761-0168B		Blade Brake Ass'y.
32	731-0909		Rubber Foot Pad - L.H. (Optional)
	731-0910		Rubber Foot Pad - R.H. (Optional)
	723-0422		Abrasive Foot Pad (Optional)
33			UNKNOWN
34	783-0310C		Lower Frame
36	726-0278		Insulator Boss Plate
37	736-0264		Fl-Wash. .344" I.D. x .625" O.D.
38	710-3008		Hex Bolt 5/16-18 x .75" Lg.
39	783-0042A		Upper Frame - R.H.
42	732-0581B		Extension Spring 5.31" Lg.
44	725-1707D		12-V Battery
45	783-0043		Upper Frame - L.H.
46			Shift Cover (See "Hood Style" illustration and parts list)
47	725-1643		Reverse Safety Switch
48	726-0279		Insulator Plate
49	17951		Seat Pivot Brkt. Support - L.H.
50	783-0355A		Hitch Plate
51	712-0267		Hex Nut 5/16-18 Thd.
52	736-0119		L-Wash. 5/16" I.D.
53	17239A		Seat Lift Brkt.
54	757-0363A		Seat 8-7/8" High
	757-0364A		Seat 8-7/8" High (Yellow)
	757-0360A		Seat 10-5/8" High
	757-0365		Seat 10-5/8" High (Yellow)
	757-0348A		Seat 14-1/4" High
	757-0372		Seat 14-1/4" High (Yellow)
	757-0350		Seat 14-1/4" High w/Drain holes
55	17950		Seat Pivot Brkt. Support - R.H.
56	738-0296		Shld. Bolt .437" Dia. x .268"
57	725-1303		Spring Switch (Seat - Outer)
59	710-0650		Hex TT-Tap Scr. 5/16-18 x 7/8"
62	726-0320		Insulatop Nut Plate

Ref #	Part Number	Qty	Description
63	725-1439		Safety Switch (Seat - Inner)
65	783-0345		Battery Tray
66	710-0351		Truss Mach. B-Tap Scr. #10 x .5" Lg.
67	748-0347		Spring Spacer
68	710-0323		Truss Mach. Scr. 5/16-18 x .75"
69	710-3008		Hex Bolt 5/16-18 x .75" Lg.
70	731-0405		Snap Bushing
71	723-3064		Battery Retainer Strap
72	712-3010		Hex Nut 5/16-18 Thd.
73	712-0265		Hex Sems Nut 5/16-18 Thd.
74	712-0271		Hex Sems Nut 1/4-20 Thd.
75	738-1007		Shoulder Screw 3/8-16 x .5 (Optional)
76	710-1268		Hex Wash. Hd. B-Tap Scr. (Optional)
77	712-3027		Hex Flanged L-Nut 1/4-20 Thd. (Optional)
78	720-0309A		Seat Adjustable Grip (Optional)
79	731-1989		Spacer (Optional)
80	732-0499		Compression Spring 1.5" Lg. (Optional)
81	736-0175		Spring Wash. .265" I.D. (Optional)
82	736-0204		Fl-Wash. .344" I.D. x .62" O.D. (Optional)
84	738-0137A		Shld. Bolt .34" x 1/4-20 Thd. (Optional)
85	783-0607A		Seat Pivot Bracket (Optional)
86	783-0609		Seat Lever (Optional)
87	783-0753		Seat Selector (Optional)
88	783-0611		Seat Stop (Optional)



Ref #	Part Number	Qty	Description
1	710-0924		Truss Mach. Scr. 1/4-20 x .75" Lg.
2	16194A		7-Speed Selector Plate
3	13A0673G131 (1999)		Shift Knob
3	720-0218		Speed Selector Lever Assembly (7-Speed)
4	16192A		Speed Selector Lever Ass'y.
5	736-0192		Flat Washer .53" I.D. x .93"
6	711-0198		Ferrule 3/8-24 x .37" Dia.
7	738-0155		Shoulder Bolt
8	747-0503A		Speed Control Link
9	714-0111		Cotter Pin 3/32" Dia. x 1.0"
10	736-0226		FI-Wash. .469" I.D. x .88"
11	736-0119		L-Wash. 5/16" I.D.
12	712-3010		Hex Nut 5/16-18 Thd. (Gr. 5)
14	732-0303		Spring .38" O.D. x 3.18" Lg.
17	736-0300		FI-Wash. .385" I.D. x 7/8"
19	736-0329		L-Wash. 1/4" I.D.
20	712-3006		Hex Nut 1/4-20 Thd. (Gr. 5)



Ref #	Part Number	Qty	Description
	918-0163B		Transaxle Single Speed Complete
1	732-0614		Wire Ring
2	710-0231		"E"-Ring
4	710-1325		Hex Tap Scr. 1/4-20 x 1.625 Lg.
5	719-0367		Upper Housing
8	711-1109		Input Shaft
10	736-0335		Thrust Washer 5/8" I.D. x 1.25" O.D.
11	717-1464		Pinion Input 14T
12	716-0108		Retaining Ring
13	711-1003		Drive Shaft - R.H. Brake
14	741-0336		Flange Brg. 5/8" I.D. x 3/4" Lg.
15	717-1362		Bevel Gear 42T Small I.D.
16	717-1363		Bevel Gear 42T Large I.D.
17	718-0228		Clutch Collar
21	710-0862A		Pan Head Scr. 1/4-20 x .50" Lg.
23	741-0340		Sleeve Bearing 3/4" I.D. x 1.0" Lg.
24	721-0338		Oil Seal 3/4" I.D.
26	736-0445		FI-Wash. .760" I.D. x 1.5" O.D.
32			Washer
	736-0495		Thrust Wash. 5/8" I.D. x 1" O.D. x .025" Thk.
	736-0336		FI-Wash. 5/8" I.D. x 1" O.D. x .030" Thk.
	736-0494		Thrust Wash. 5/8" I.D. x 1" O.D. x .035" Thk.
	736-0337		FI-Wash. 5/8" I.D. x 1" O.D. x .040" Thk.
34	719-0313B		Lower Housing
35	718-0150		Anti-Rotation Brkt.
37			Washer
	736-0349		FI-Wash. 5/8" I.D. x 1" O.D. x .020" Thk.
	736-0336		FI-Wash. 5/8" I.D. x 1" O.D. x .030" Thk.
	736-0337		FI-Wash. 5/8" I.D. x 1" O.D. x .040" Thk.
38	712-0273		Hex Nut 5/16-24 Thd.
39	736-0371		FI-Wash. .344" I.D. x .875" O.D.
40	717-0700		Actuating Arm
41	761-0198		Brake Yoke
42	717-0682		Puck Plate
43	717-0678		Brake Puck
45	761-0202		Brake Disc
46	741-0337		Flange Bearing 5/8" I.D. x 15/16" Lg.
48	611-0011		Shift Fork Ass'y.
49	741-0862		Ball Detent .250" Dia.
50	732-0863		Spring Detent
52	741-0335		Needle Brg. 5/8" I.D. x 1/2" Lg.
54	736-0349		FI-Wash. 5/8" I.D. x 1" O.D. x .020 Thk.
55	741-0343		Actuating Pin 5/16" Dia.
56	710-1206		Hex Wash Hd. Self-Tap Scr. 1/4-20
58	736-0349		FI-Wash. 5/8" I.D. x 1" O.D. x .020 Thk.
	736-0495		Thrust Wash. 5/8" I.D. x 1" O.D. x .025"
60			Washer
	736-0492		FI-Wash. .76" I.D. x 1.5" O.D. x .010" Thk.
	736-0493		FI-Wash. .76" I.D. x 1.5" O.D. x .020" Thk.
	736-0351		FI-Wash. .76" I.D. x 1.5" O.D. x .030" Thk.
	736-0445		FI-Wash. .76" I.D. x 1.5" O.D. x .060" Thk.
61	736-0519		Thrust Washer
62	618-0162		Differential Ass'y.
63	732-0742		R.H. - Brake Spring

Ref #	Part Number	Qty	Description
	737-0148		Grease - Shell (15 oz.)
	13AO673G131 (1999) Transmission		