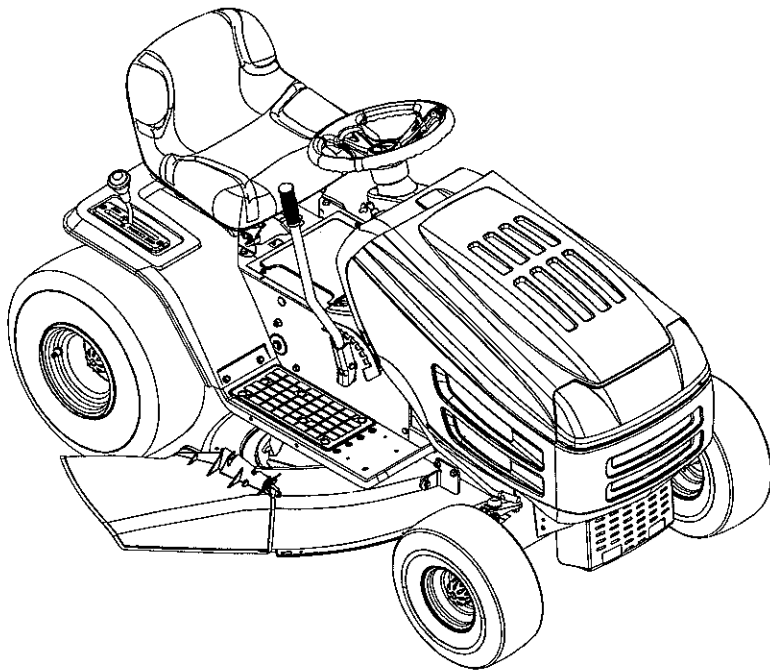


Illustrated Parts Manual



Hydrostatic Lawn Tractor

Models 690

695

698

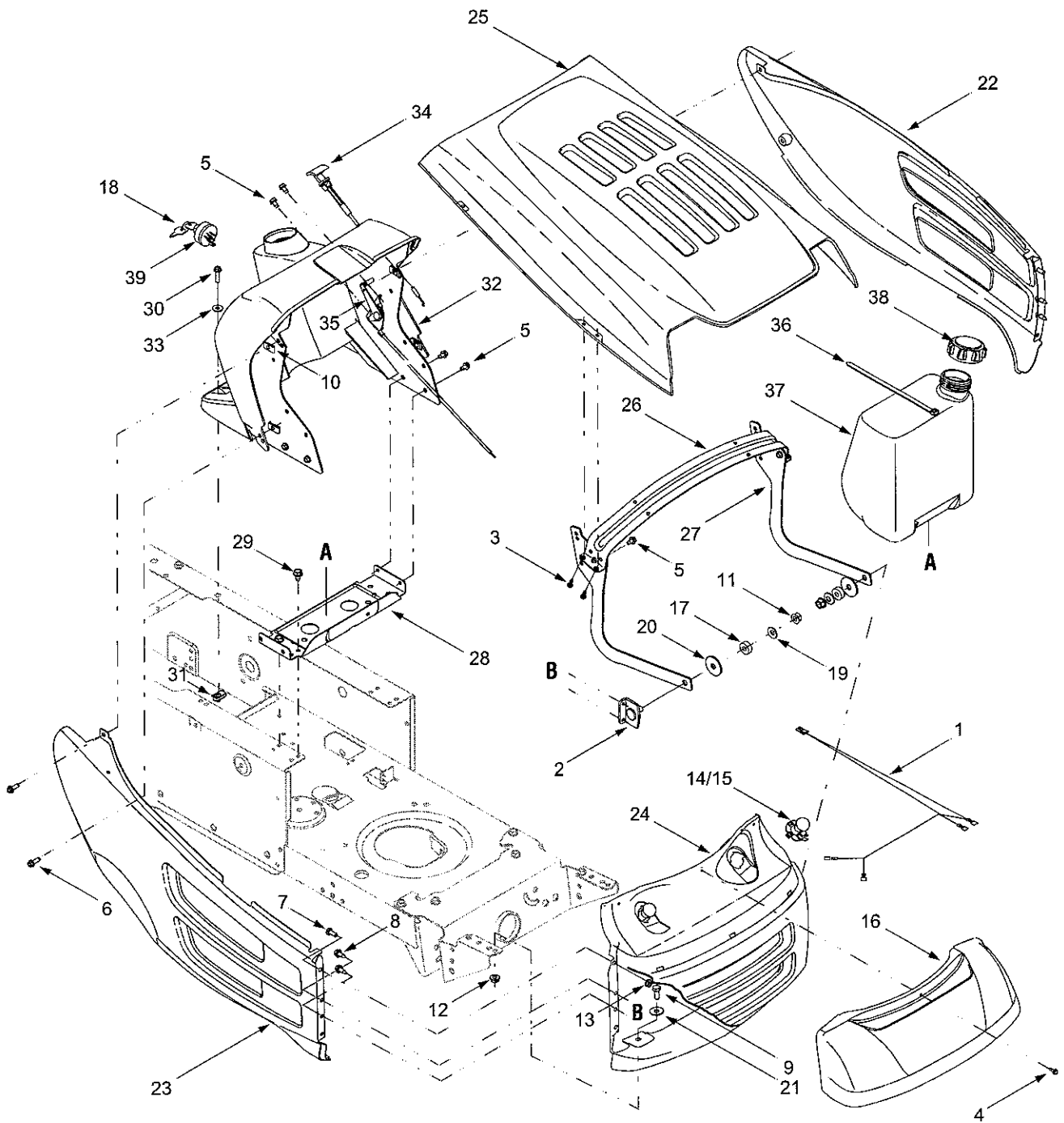
MTD LLC, P.O. BOX 361131 CLEVELAND, OHIO 44136-9722

PRINTED IN U.S.A.

FORM NO. 769-00689A

(11/7/2003)

Model 698

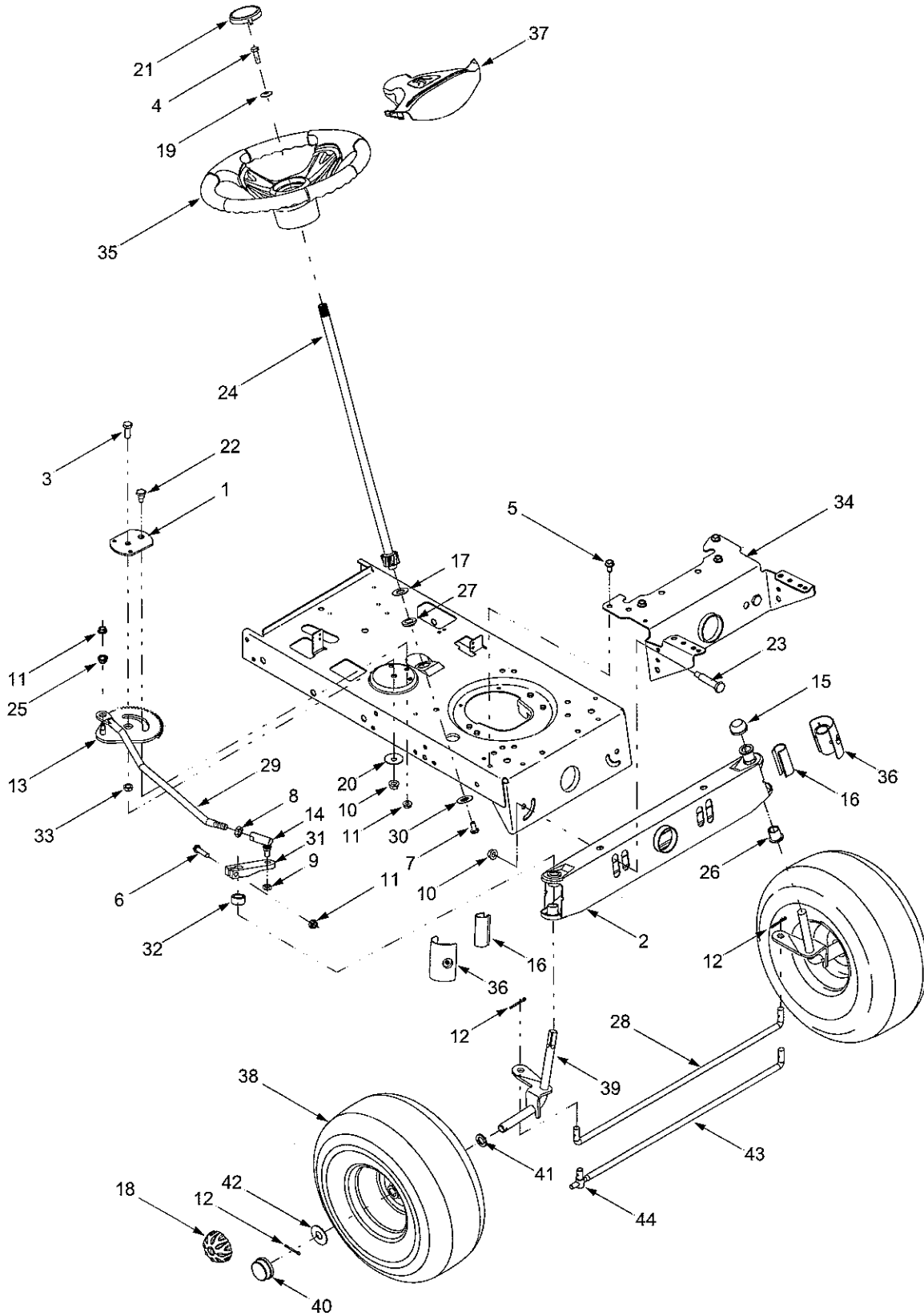


Model 698

REF. NO.	PART NO.	DESCRIPTION
1	629-0469B	Headlamp Harness Assembly
2	683-0195	Bracket Assembly
3	710-0351	Screw, #10-16 x .50
4	710-0456	Screw, #10-16 x .50
5	710-0599	Self-tapping Screw, 1/4-20 x .5
6	710-0642	Self-tapping Screw, 1/4-20 x .75
7	710-0751	Hex Cap Screw:1/4-20 x .620
8	710-0896	Hex Index Washer Screw, 1/4-14 x .0625
9	710-3008	Hex Screw, 5/16-18 x .75
10	712-0185	U-type Speed Nut, 1/4-20
11	712-0431	Flange Lock Nut, 3/8-16
12	712-0429	Lock Nut, 5/16-18
13	712-3027	Flange Lock Nut, 1/4-20
14	725-0963	Headlamp, 12V
15	725-1649	Headlamp Socket
16	731-1854A	Headlight Lens (8-style)
17	735-0126	Rubber Washer, .87 x .33
18	725-0201	Keys (pair)
19	736-0300	Flat Washer, .406 x .875 x .059
20	736-3039	Flat Washer, .406 x 1.5 x 11 gauge
21	736-3078	Flat Washer, .344 x 1.0 x .063
22	783-0475B	LH Side Panel
23	783-0476C	RH Side Panel
24	783-0477A	Grille
25	783-0478B	Hood
26	783-0553A	Hood Support Bracket
27	783-1495	Hood Side Bracket
28	17632D	Support Bracket
29	710-0607	Self-tapping Screw, 5/16-18 x .5
30	710-0788	Self-tapping Screw, 1/4-20 x 1.0
31	726-3054	U-type Speed Nut, 1/4-20
32	731-04180	Dash Panel (models w/o choke knob)
	731-04080A	Dash Panel (models w/ choke knob)
33	736-3090	Flat Washer, .260 x .720 x .060
34	746-0614A	Choke Control, 38"
	746-0616A	Choke Control, 23"
35	746-04020A	Throttle / Choke Control, 18.5"
	746-04023A	Throttle Control, 35.5"
	746-04030A	Throttle Control, 18.5"
36	726-0209	Cable Tie, 30.66
37	751-0555B	Fuel Tank, 1.5 gal.
38	751-0603	Fuel Tank Cap
39	725-1396	Ignition Switch, 6-pin

NOTE: Tractor features vary by model NOT all parts listed above and pictured on the previous page are standard equipment.

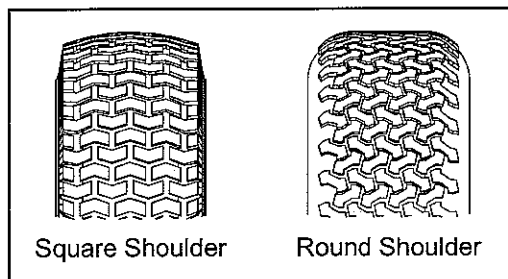
Models 690 - 698



Models 690 – 698

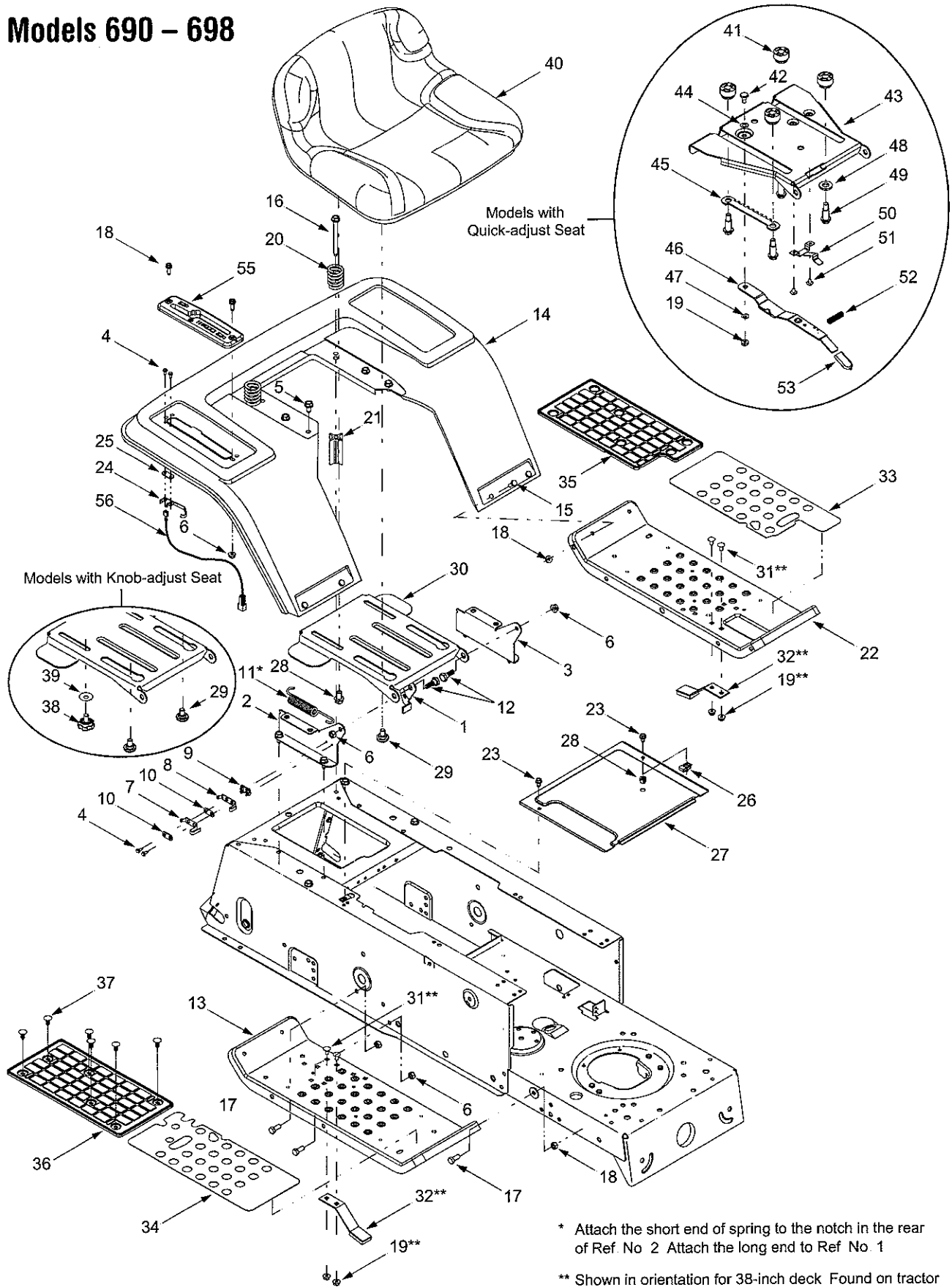
REF. NO.	PART NO.	DESCRIPTION	REF. NO.	PART NO.	DESCRIPTION
1	17198A	Retainer Gear Segment Plate	26	741-0487A	Flange Bushing, .632 ID
2	683-0002A	Pivot Bar, 625	27	741-0656	Hex Flange Bearing, 5/8
3	710-0514	Hex Cap Screw, 3/8-16 x 1.0	28	747-04008	Tie Rod, Non-adjustable
4	710-0643	Hex Cap Screw, 5/16-18 x 1.0	29	747-1268B	Steering Drag Link, 7/16-20
5	710-0726	Self-tapping Screw, 5/16-12 x .75	30	748-0389	Cap, 1.25 x .16
6	710-0805	Hex Cap Screw, 5/16-18 x 1.5	31	748-04014B	Steering Arm
7	710-1309	Machine Screw, 5/16-18 x .75	32	748-04020	Spacer, 1.0 x .645 x .56
8	712-0240	Jam Nut, 7/16-20 (Grade 2)	33	750-0535	Spacer, .380 x .625 x .21
9	712-0262	Jam Nut, 3/8-24	34	783-0041D	Pivot Bar Bracket
10	712-0431	Flange Lock Nut, 3/8-16	35	631-04028	Steering Wheel, Three Spoke
11	712-3004A	Flange Lock Nut, 5/16-18		631-04008	Steering Wheel, Three Spoke Soft Grip
12	714-0470	Cotter Pin, 1/8 x 1.25	36	731-04058	Axle End Cap, w/ Fitting
13	717-1757A	Steering Segment Gear	37	731-04064	Steering Wheel Cap, Large
14	723-0448A	Ball Joint, 7/16 -20		731-04065	Steering Wheel Cap w/ Sprig, Large
15	726-0214	Push Cap, 625	38	634-0056A	Round Shoulder Wheel Ass'y Complete
16	731-04057A	Axle End Cap, Standard		634-0105A	Square Shoulder Wheel Ass'y Complete
17	736-0187	Flat Washer, .64 x 1.24 x .060		634-0115	Square Shoulder Wheel Ass'y Complete
18	731-2290A	Deluxe Hub Cap	39	683-04016	RH Axle Assembly
19	736-0242	Bell Washer, .34 x .872 x .060		683-04015	LH Axle Assembly
20	736-0356	Bell Washer, .391 x .380 x .062		683-04014	RH Axle Ass'y (models with 46-in Deck)
21	731-04039	Steering Wheel Cap, Small		683-04013	LH Axle Ass'y (models with 46-in Deck)
	731-04040	Steering Wheel Cap w/ Sprig, Small	40	731-0484A	Hub Cap
22	738-0141	Shoulder Screw, .435 x .350, 5/16-18	41	736-0162	Flat Washer, .64 x 1.0 x .12
23	738-0527	Shoulder Screw, .498 x 2.045	42	736-0285	Flat Washer, .635 x 1.589 x .06
24	738-0919	Steering Shaft, 21.86	43	747-04057	Tie Rod, Adjustable
25	741-0475	Plastic Bushing, .38 ID	44	711-04059	Ferrule, 3/8-24 x .437 Dia

	Wheel Ass'y Complete	Rim Assembly	Inner Bearing	Outer Bearing	Tire Only	Air Valve
Round Shoulder	634-0056A	634-0172	741-0706 (Flange w/ Fitting)	741-0487A (Plastic Flange)	734-0864 (15 x 6 x 6)	734-0255
Square Shoulder	634-0105A	634-0172	741-0706 (Flange w/ Fitting)	741-0487A (Plastic Flange)	734-1731 (15 x 6 x 6)	734-0255
Square Shoulder	634-0115	634-0051	741-0569 (Ball Bearing)	741-0569 (Ball Bearing)	734-1731 (15 x 6 x 6)	734-0255



NOTE: Tractor features vary by model. NOT all parts listed above and pictured on the previous page are standard equipment.

Models 690 – 698



* Attach the short end of spring to the notch in the rear of Ref. No. 2 Attach the long end to Ref. No. 1

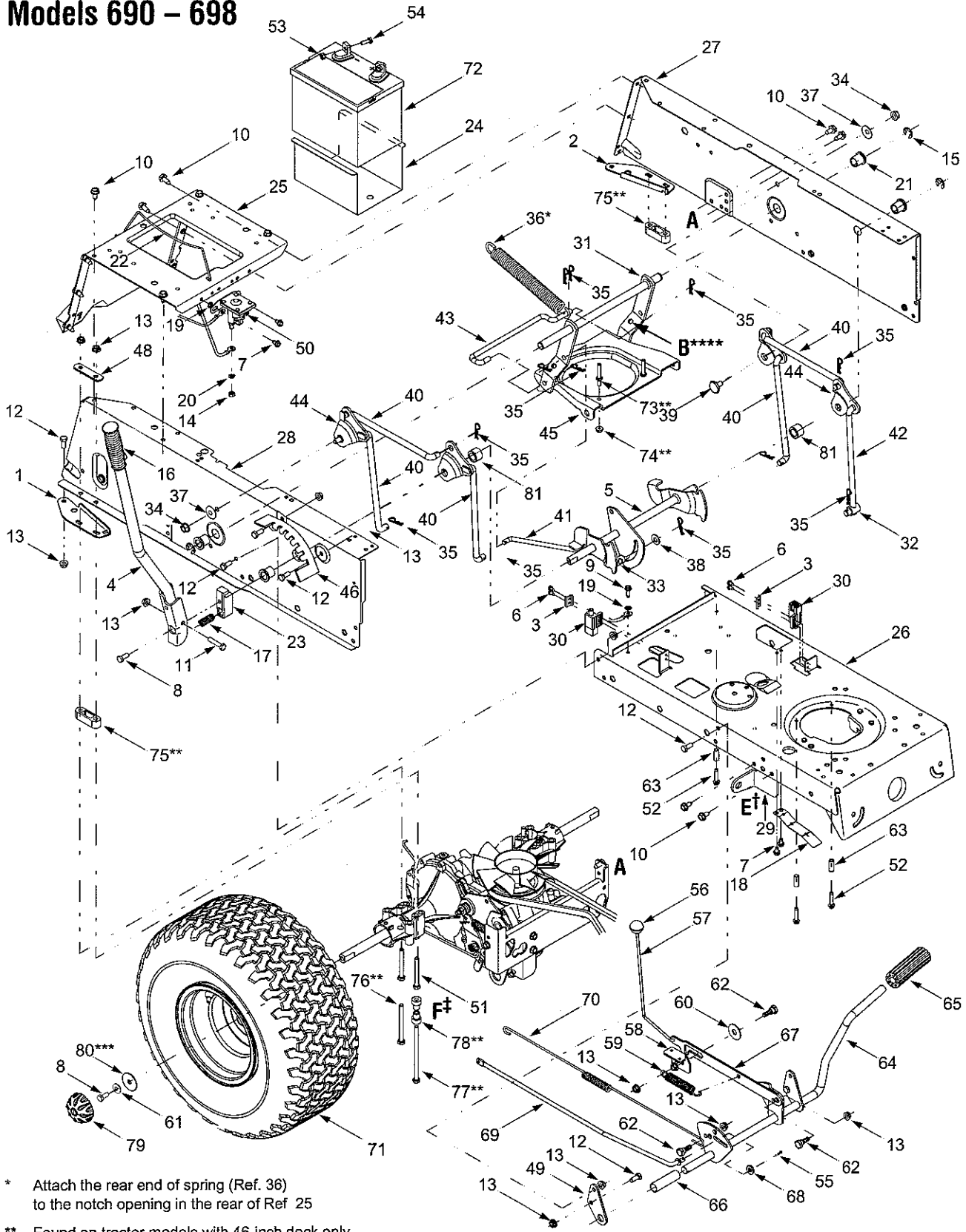
** Shown in orientation for 38-inch deck Found on tractor models with 38- or 42-inch deck only

Models 690 – 698

REF. NO.	PART NO.	DESCRIPTION	REF. NO.	PART NO.	DESCRIPTION
1	17239C	Seat Lift Bracket	29	738-04012	Shoulder Screw, .625 x .175, 3/8-16
2	17950A	RH Pivot Support Bracket, Seat	30	783-04081A	Seat Pivot Bracket, Manual Adjust
3	17951A	LH Pivot Support Bracket, Seat	31	710-0167	Carriage Screw, 1/4-20 x .50
4	710-0227	Self-tapping Screw, #8-18 x .50	32	761-0168B	Blade Spindle Brake Assembly
5	710-0726	Self-tapping Screw, 5/16-12 x .75	33	723-04012	LH Abrasive Foot Pad
6	712-0429	Lock Nut, 5/16-18	34	723-0422C	RH Abrasive Foot Pad
7	725-1303	Outer Seat Spring Switch	35	735-04009	LH Rubber Foot Pad
8	725-1439	Inner Seat Spring Switch	36	735-0196	RH Rubber Foot Pad
9	726-0278	Insulator Plate Boss	37	726-3046	Ratchet Clip, .250 Dia
10	726-0279	Insulator Plate	38	720-04009	Knob, 3/8-16 X .625
11	732-0581B	Extension Spring, .75 x 5.31	39	736-0219	Bell Washer, 389 x 1.120 x .030
12	738-0296	Shoulder Screw, .437 x .286	40	757-04021	Low Back Seat, Black
13	17770H	Running Board		757-04020	Medium Back Seat, Black
14	17871D	Fender	41	731-04074	Spacer
15	710-0751	Hex Screw, 1/4-20 x .620	42	712-0137A	Shoulder Screw, .340 x .285, 1/4- 20
16	710-1208	Self-tapping Screw, 5/16-18 x 3.5	43	783-0738A	Seat Pivot Bracket, Quick-Adjust
17	710-3008	Hex Screw, 5/16-18 x .75	44	736-0204	Flat Washer, .344 x .62
18	710-0642	Self-tapping Screw, 1/4-20 x .75	45	783-0753	Seat Select Bracket
19	712-0324	Lock Nut, 1/4-20	46	783-0739	Seat Adjustment Lever
20	732-04038	Compression Spring, 1.314 x 1.8	47	736-0175	Spring Washer
21	750-04212	Spacer	48	736-3019	Flat Washer, .531 x 1.062 x .134
22	783-04139A	LH Running Board	49	738-0966	Shoulder Screw, .50 x .925, 3/8-16
23	710-0599	Self-tapping Screw, 1/4-20 x .5	50	783-0611	Seat Stop
24	725-1713	Spring Switch, Long	51	710-1268	Screw, #10-16 x .375
25	726-0320	Insulator Nut Plate	52	732-0499	Compression Spring
26	726-3054	U-Clip Nut, 1/4-20	53	720-0309A	Grip
27	783-04094A	Cover Panel	54	732-0735	Compression Spring, 1.314 x 2.55
28	731-0405	Snap Bushing	55	731-1734	Speed Index Bracket
28	710-0870	Screw, 3/8-16 x .625	56	725-1399	Wire Extension, Reverse

NOTE: Tractor features vary by model. NOT all parts listed above and pictured on the previous page are standard equipment.

Models 690 - 698



* Attach the rear end of spring (Ref. 36) to the notch opening in the rear of Ref. 25

** Found on tractor models with 46-inch deck only

*** Used on tractor models with Deluxe hub cap only.

**** Attach the front end of spring (Ref. 36) here on tractor models with a 38- or 42-inch deck only

† Refer to E on Page 14 & Page 16

‡ Refer to F on Page 16

Models 690 – 698

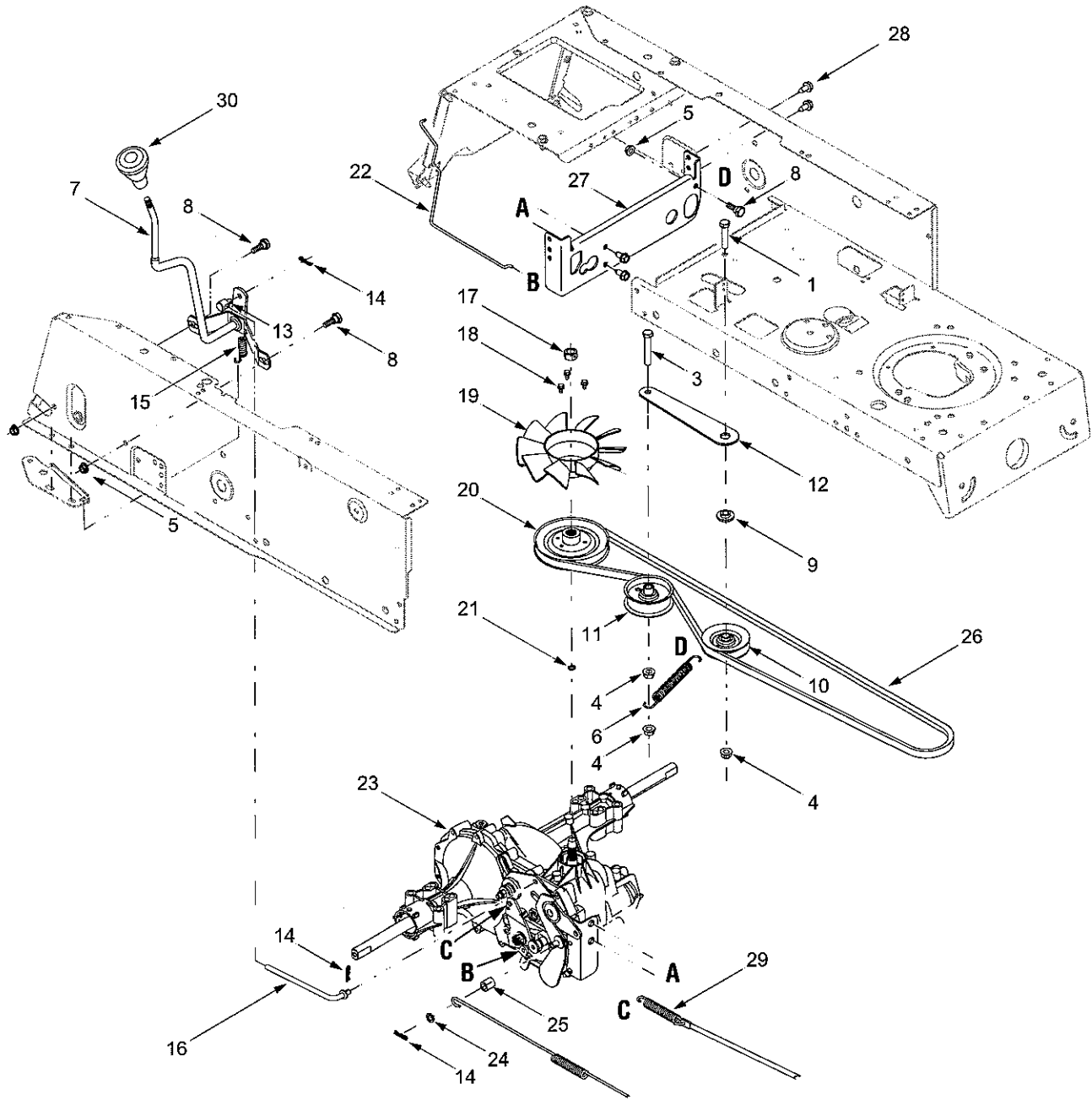
REF. NO.	PART NO.	DESCRIPTION	REF. NO.	PART NO.	DESCRIPTION
1	17668A	RH Axle Support Bracket	44	748-04307	Lift Link
2	17669A	LH Axle Support Bracket	45	783-04093	Stabilizer Bracket (46-inch Decks)
3	17962	Switch Plate		783-04294	Stabilizer Bracket (38- and 42-inch Decks)
4	683-04025	Lift Handle Assembly	46	783-04113	Deck Lift Index Bracket
5	683-04049	Lift Shaft Assembly	47	17630A	Shift Lever Retainer
6	710-0224	Self-tapping Screw, #10-16 x .5	48	17840	Transaxle Mounting Bracket
7	710-0599	Self-tapping Screw, 1/4-20 x .5	49	17860	Pedal Mounting Bracket
8	710-0627	Hex Cap Screw, 5/16-24 x .75	50	725-1426	Solenoid
9	710-0642	Self-tapping Screw, 1/4-20 x .75	51	710-0176	Hex Cap Screw, 5/16-18 x 2.75
10	710-0726	Self-tapping Screw, 5/16-12 x .75	52	710-0809	Self-tapping Screw, 1/4-20 x 1.25
11	710-0805	Hex Cap Screw, 5/16-18 x 1.5	53	712-0271	Hex Sems Nut, 1/4-20
12	710-3008	Hex Screw, 5/16-18 x .75	54	710-3015	Hex Screw, 1/4-20 x .75
13	712-0429	Lock Nut, 5/16-18	55	714-0111	Cotter Pin, 1.0
14	712-3006	Hex Nut, 1/4-20	56	720-0166	Ball Knob
15	716-0106	E-Ring, .625 Dia Shaft	57	747-0608C	Brake Lockout Rod
16	720-0233	Handle Grip	58	17755A	Bracket
17	732-0369	Compression Spring, .55 x 1.37	59	732-0728	Extension Spring, 4.31
18	732-0750A	Switch Actuator Spring	60	736-0406	Flat Washer, .442 x 1.38 x .060
19	736-0222	External Lock Washer, 1/4	61	736-0242	Bell Washer, .34 x .872 x .060
20	736-0329	Lock Washer, 1/4	62	738-0296	Shoulder Screw, .437 x .286
21	741-0487A	Flange Bearing, .632 ID	63	750-0566A	Spacer, .260 x .372 x 1.030
22	747-04031	Battery Hold-down Rod	64	683-04005A	Clutch / Brake Pedal Assembly
23	748-04011	Lift Shaft Connector	65	735-0196	Foot Pad, 4.6
24	783-0345	Battery Tray	66	750-0802	Spacer, .640 x .76 x 2.63
25	783-0355C	Hitch Plate	67	783-04164	Brake Lockout Bracket
26	783-04011	Lower Frame	68	736-3008	Flat Washer, .344 x .750 x .120
27	783-04031	LH Upper Frame Side Panel	69	732-04032A	Extension Spring, 22.16
28	783-04032	RH Upper Frame Side Panel	70	747-04082	Brake Rod
29	783-04213	Deck Anti-sway Bracket	71	734-1675	Round Shoulder Wheel Ass'y Complete
30	725-04039	Screw-mount Interlock Switch		634-0104	Square Shoulder Wheel Ass'y Complete
31	683-04048A	Stabilizer Shaft Assembly	72	725-1706A	Battery, 270 CCA
32	711-04036	Ferrule, 1/2-20 x .50		725-1737A	Battery, 190 CCA
33	711-04075	Ferrule, 3/8-24 x .375	73	712-3027	Flange Lock Nut, 1/4-20
34	712-0431	Flange Lock Nut, 3/8-16	74	711-0993	Belt Guard Pin, 1/4-20
35	714-04023	Internal Cotter Pin, .080 x 1.56	75	749-0334	Spacer
36	732-04097A	Extension Spring, .730 x 13.0	76	710-1266	Hex Cap Screw, 5/16-18 x 3.25
37	736-0219	Bell Washer, .389 x 1.12 x .030	77	710-0833	Hex Cap Screw, 5/16-18 x 5.25
38	736-0267	Flat Washer, .385 x .87 x .060	78	748-04021A	Shoulder Spacer
39	738-0322	Shoulder Bolt, .625 x .217	79	731-2290A	Deluxe Hub Cap
40	747-04018A	Deck Hanger Link	80	736-0430	Flat Washer, .350 x 1.59 x .062
41	747-04040A	Deck Disengagement Rod	81	748-04037	Spacer, .635 x 1.0 x .696
42	747-04069A	Deck Hanger Link			
43	747-04115A	Stabilizer Rod (46-inch Decks)			
	747-04157	Stabilizer Rod (38- and 42-inch Decks)			

	Wheel Ass'y Complete	Rim Assembly	Tire Only	Air Valve
Round Shoulder*	734-1675	634-0070	734-1596 (20 x 8 x 8)	734-0255
Square Shoulder*	634-0104	634-0070	734-1730 (20 x 8 x 8)	734-0255

* See illustration on Page 7

NOTE: Tractor features vary by model. NOT all parts listed above and pictured on the previous page are standard equipment.

Models 690 – 698

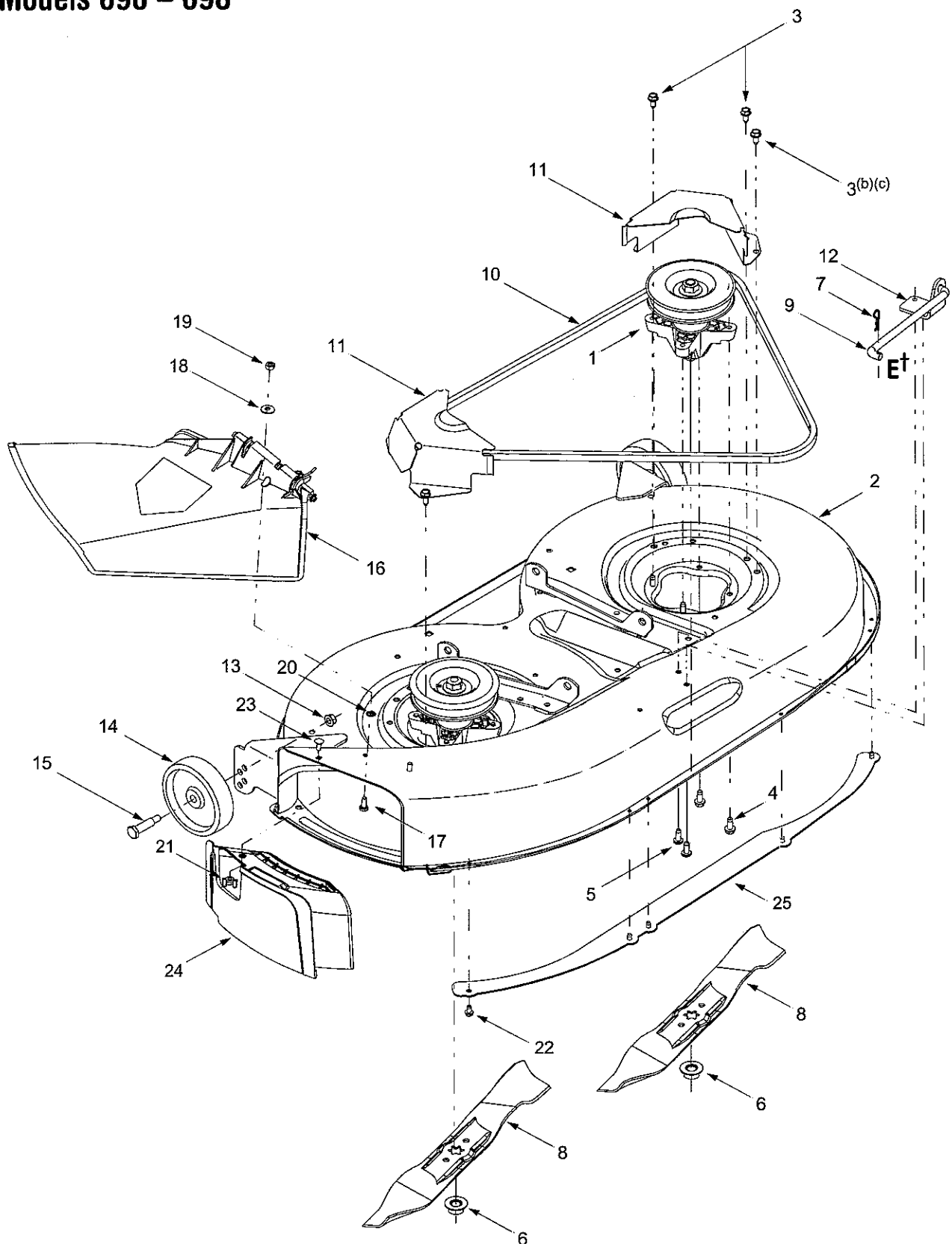


Models 690 – 698

REF. NO.	PART NO.	DESCRIPTION
1	710-0347	Hex Screw, 3/8-16 x 1.75
2	710-3008	Hex Screw, 5/16-18 x .75
3	710-3011	Hex Screw, 3/8-16 x 2.25
4	712-0431	Flange Lock Nut, 3/8-16
5	712-0429	Lock Nut, 5/16-18
6	732-04053	Extension Spring, .62 x 6.38
7	647-04007	Hydro Speed Selector
8	738-0296	Shoulder Screw, .437 x .286
9	738-0347	Shoulder Spacer, .625 x 1.16
10	756-0116	V-Type Idler Pulley, 3.06
11	756-0981A	Flat Idler Pulley, 2.75
12	783-04165	Idler Bracket
13	711-0677	Ferrule, 5/16-18 x .312
14	714-0104	Cotter Pin
15	732-0568	Extension Spring, .50 x 2.54
16	747-04052	Hydrostatic Control Rod
17	712-0239	Hex Lock Nut, 1/2-20
18	710-3007	Screw, #12-24 x .375
19	731-1449A	Fan Blade, 10
20	756-1166	Transmission Pulley, 5.0
21	732-0729	Ring Wire
22	747-1277B	Hydrostatic Bypass Rod
23	618-04027	Hydrostatic Transmission
24	736-0140	Flat Washer, .385 x .62 x .063
25	750-0807	Spacer, .385 x .625 x .700
26	754-0338	Belt
27	783-0810A	Transmission Torque Bracket
28	710-0726	Self-tapping Screw, 5/16-12 x .75
29	732-0716	Extension Spring, .59 x 4.0
30	720-0218	Knob

NOTE: Tractor features vary by model. NOT all parts listed above and pictured on the previous page are standard equipment.

Models 690 - 698



† Refer to E† on Page 10

Models 690 – 698

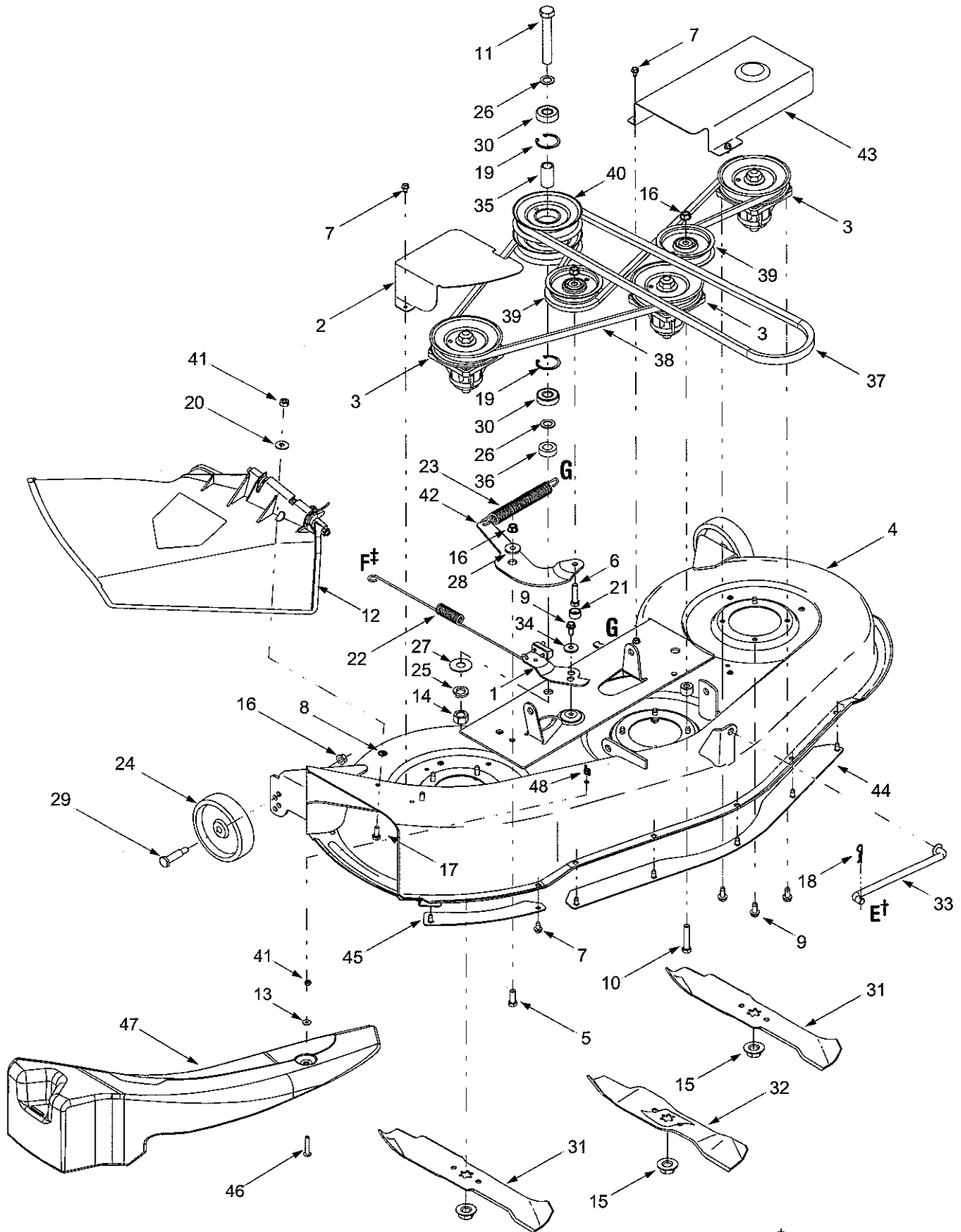
REF. NO.	PART NO.	DESCRIPTION
1	618-0138A	Spindle Assembly (a)
	618-0142A	Spindle Assembly (b) (c)
2	683-04003A	Deck Shell (a)
	683-04004A	Deck Shell (b)
	683-04035A	Deck Shell (c)
3	710-0726	Self-tapping Screw, 5/16-12 x .75
4	710-1260A	Screw, 5/16-18 x .75
5	710-1616A	Self-tapping Screw, 5/16-18 x .75
6	712-0417A	Hex Flange Nut, 5/8-18
7	714-04023	Internal Cotter Pin, .080 x 1.56
8	742-0610A	Blade, 19.38" (a)
	742-0616A	Blade, 21.23" (b) (c)
9	747-04018A	Deck Hanger Link/Anti-sway Rod
10	754-0329A	Deck Belt (a)
	754-0371A	Deck Belt (b) (c)
11	783-04148A	Belt Cover (a)
	783-04149B	Belt Cover (b) (c)
12	783-04211	Anti-sway Stabilizer Bracket
13	712-0431	Flange Lock Nut, 3/8-16 (c)
14	734-0973	Deck Wheel, 5 x 1.38 (c)
15	738-0373	Shoulder Screw, 498 x 1.53 (c)
16	731-1032B	Discharge Chute Assembly
17	710-0751	Hex Cap Screw: 1/4-20 x .620
18	736-0270	Bell Washer, .265 x .75 x .062
19	712-3006	Hex Nut, 1/4-20
20	726-0233	Push Nut, 1/4
21	712-3087	Wing Nut, 1/4-20
22	710-0599	Self-tapping Screw, 1/4-20 x .5
23	710-0134	Carriage Screw, , 1/4-20 x .62
24	731-2363	Mulch Plug
25	783-1146A	Deck Skirt (b) (c)

- (a) Tractor models with 38-inch Deck Only
- (b) Tractor models with 42-inch Deck Only
- (c) Tractor models with 42-inch Deck w/ Deck Wheels Only

IMPORTANT: For a proper working machine, use Factory Approved Parts. **V-belts** are designed to engage and disengage safely. A substitute (non OEM) V-belt can be dangerous by not disengaging completely.

NOTE: Tractor features vary by model. NOT all parts listed above and pictured on the previous page are standard equipment.

Models 690 – 698



† Refer to E on Page 10
 ‡ Refer to F on Page 10

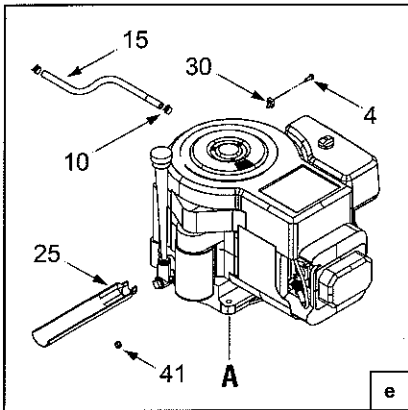
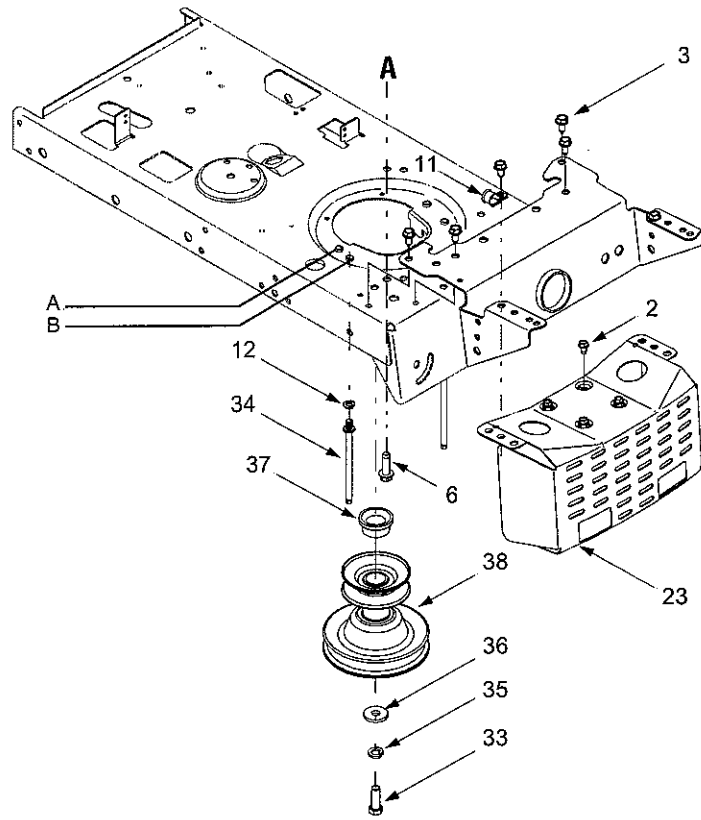
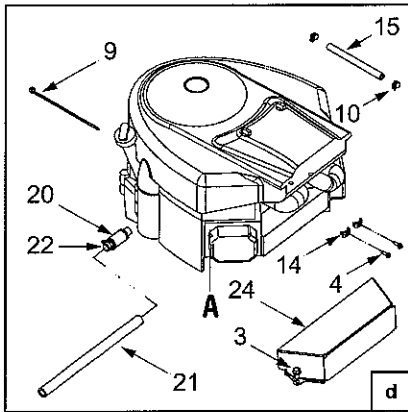
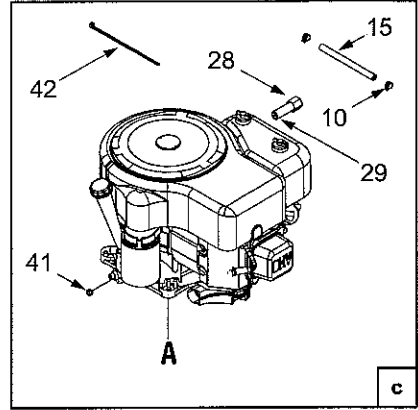
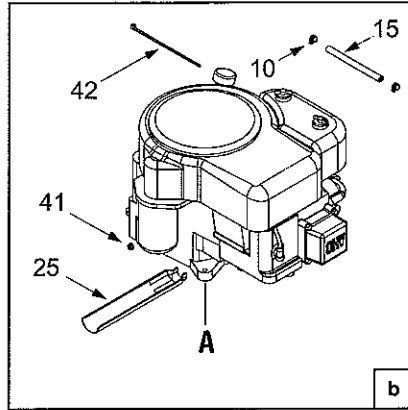
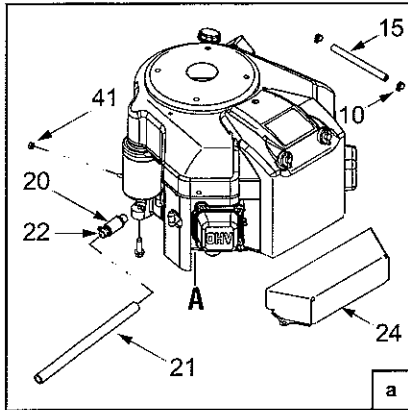
Models 690 – 698

REF. NO.	PART NO.	DESCRIPTION	REF. NO.	PART NO.	DESCRIPTION
1	17116	Deck Brake Assembly	25	736-0158	Lock Washer, 5/8
2	17258D	RH Belt Cover	26	736-0290	Flat Washer, 5/8
3	618-0240A	Spindle Assembly, 5.0 Dia.	27	736-3088	Flat Washer, 1.585 x .635 x .062
	756-1187	Pulley Only	28	738-0347	Shoulder Spacer, .625 x 1.16
4	683-04133	46-inch Deck Shell	29	738-0373	Shoulder Screw, 498 x 1.53
5	710-0514	Hex Cap Screw, 3/8-16 x 1.0	30	741-0524	Bearing, 625 x 1.574 x .470
6	710-0520	Hex Cap Screw, 1/4-20 x 1.5	31	742-0611A	Three-in-one Blade, Star Center, 16.28"
7	710-0599	Self-tapping Screw, 1/4-20 x .5	32	742-0612A	Three-in-one Blade, Star Center, 14.88"
8	726-0233	Push Nut, 1/4	33	747-04018A	Deck Hanger Link/Anti-sway Rod
9	710-1260A	Screw, 5/16-18 x .75	34	748-0234	Shoulder Spacer
10	710-3144	Hex Cap Screw, 3/8-16 x 2.0	35	750-0932A	Spacer, .635 x .88 x 1.72
11	710-3151	Hex Cap Screw, 5/8-18 x .875	36	750-0960A	Spacer, .635 x 1.25 x .445
12	731-1032	Discharge Chute Assembly	37	754-0439	PTO Belt (Upper Deck Belt)
13	736-0173	Flat Washer, 28 X .74 X .063	38	754-0440	Deck Belt (Lower Deck Belt)
14	712-0337	Hex Nut, 5/8-18	39	756-0627B	Idler Pulley, 3.5
15	712-0417A	Hex Flange Nut, 5/8-18	40	756-0638	Double Pulley, 5.0
16	712-0431	Flange Lock Nut, 3/8-16	41	712-3006	Hex Nut, 1/4-20
17	710-0751	Hex Cap Screw: 1/4-20 x .620	42	783-0046	Idler Bracket
18	714-04023	Internal Cotter Pin, .080 x 1.56	43	783-0063A	LH Belt Cover
19	716-3020	Internal Retaining Ring	44	783-0141	Deck Skirt, Center
20	736-0270	Bell Washer, .265 x .75 x .062	45	783-0142	Deck Skirt, Right-hand
21	731-1490	Slide Cap	46	710-0578	Screw, 1/4-20 x 1.5
22	732-04047	Extension Spring, .788 x 15.5	47	731-1636	Mulch Plug
23	732-0594A	Extension Spring, .91 x 7.33	48	712-3087	Wing Nut, 1/4-20
24	734-0973	Deck Wheel, 5 x 1.38			

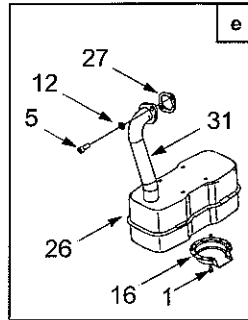
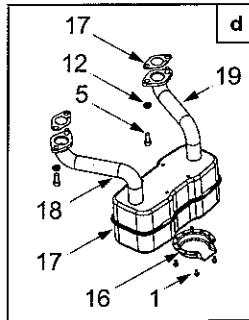
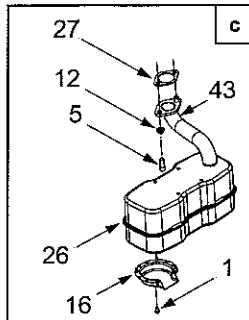
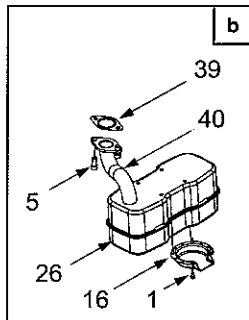
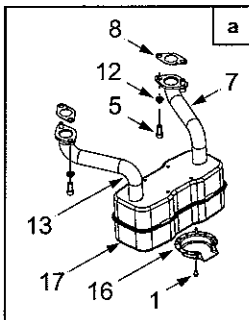
IMPORTANT: For a proper working machine, use Factory Approved Parts. **V-belts** are designed to engage and disengage safely. A substitute (non OEM) V-belt can be dangerous by not disengaging completely.

NOTE: Tractor features vary by model. NOT all parts listed above and pictured on the previous page are standard equipment.

Models 690 – 698



A Models with a 46-inch Deck
B Models with a 38- or 42-inch Deck



Models 660 – 688

REF. NO.	PART NO.	DESCRIPTION
1	710-0148	Screw, #8-32 x .375
2	710-0599	Self-tapping Screw, 1/4-20 x .5
3	710-0726	Self-tapping Screw, 5/16-12 x .75
4	710-1237	Screw, #10-32 x .625
5	710-1314A	Socket Cap Screw, 5/16-18 x .625
6	710-1315	Self-tapping Screw, 3/8-16 x 1.25
7	751-0813	LH Exhaust Pipe
8	721-0460	Exhaust Gasket
9	726-0154	Push-mount Cable Tie, 7.5
10	726-0205	Hose Clamp, .490
11	726-0272	Clamp, 9/16
12	736-0119	Lock Washer, 5/16
13	751-0813	RH Exhaust Pipe
14	751B221535	Casing Clamp
15	751-0535	Fuel Line Hose
16	751-0564A	Muffler Deflector
17	751-0616A	Muffler, Twin Inlet
18	751-0650A	RH Exhaust Pipe
19	751-0651A	LH Exhaust Pipe
20	751-3140	Oil Drain Valve
21	751-3141	Oil Drain Hose
22	751-3142	Oil Drain Cap
23	783-0615C	Muffler Heat Shield
24	783-0625C	Engine Heat Shield
25	731-1682A	Oil Drain Sleeve
26	751-0617A	Muffler, Single Inlet
27	721-0208	Exhaust Gasket
28	737-0143	Oil Drain Cap, 3/8-18
29	737-0199	Oil Drain Pipe, 3/8-16 x 2.0
30	751B213146	Casing Clamp
31	751-0619A	Exhaust Pipe
32	710-0227	Screw, #8-18 x .50
33	710-3029	Hex Screw, 7/16-20 x 1.25
34	711-1044	Belt Keeper Pin, 5/16 x 4.75
35	736-0171	Lock Washer, 7/16
36	736-0322	Flat Washer, .450 x 1.25 x .164
37	750-0956	Spacer, 1.0 x 1.4 x .825
38	756-04011	Engine Pulley, 3.56 x 5.56
39	721-0348	Exhaust Gasket
40	751-0620	Exhaust Pipe
41	712-0271	Hex Sems Nut, 1/4-20
42	725-0157	Cable Tie, 7.4"
43	751-0622	Exhaust Pipe

- (a) Tractor models with *Tecumseh* Twin-cylinder Engine
- (b) Tractor models with *Tecumseh* Single-cylinder Engine (16 HP - 18 HP)
- (c) Tractor models with *Tecumseh* Single-cylinder Engine (12 HP - 15 HP)
- (d) Tractor models with *Briggs and Stratton* OHV Twin-cylinder Engine
- (e) Tractor models with *Briggs and Stratton* OHV Single-cylinder Engine

NOTE: Tractor features vary by model. NOT all parts listed above and pictured on the previous page are standard equipment

Models 690 - 698

