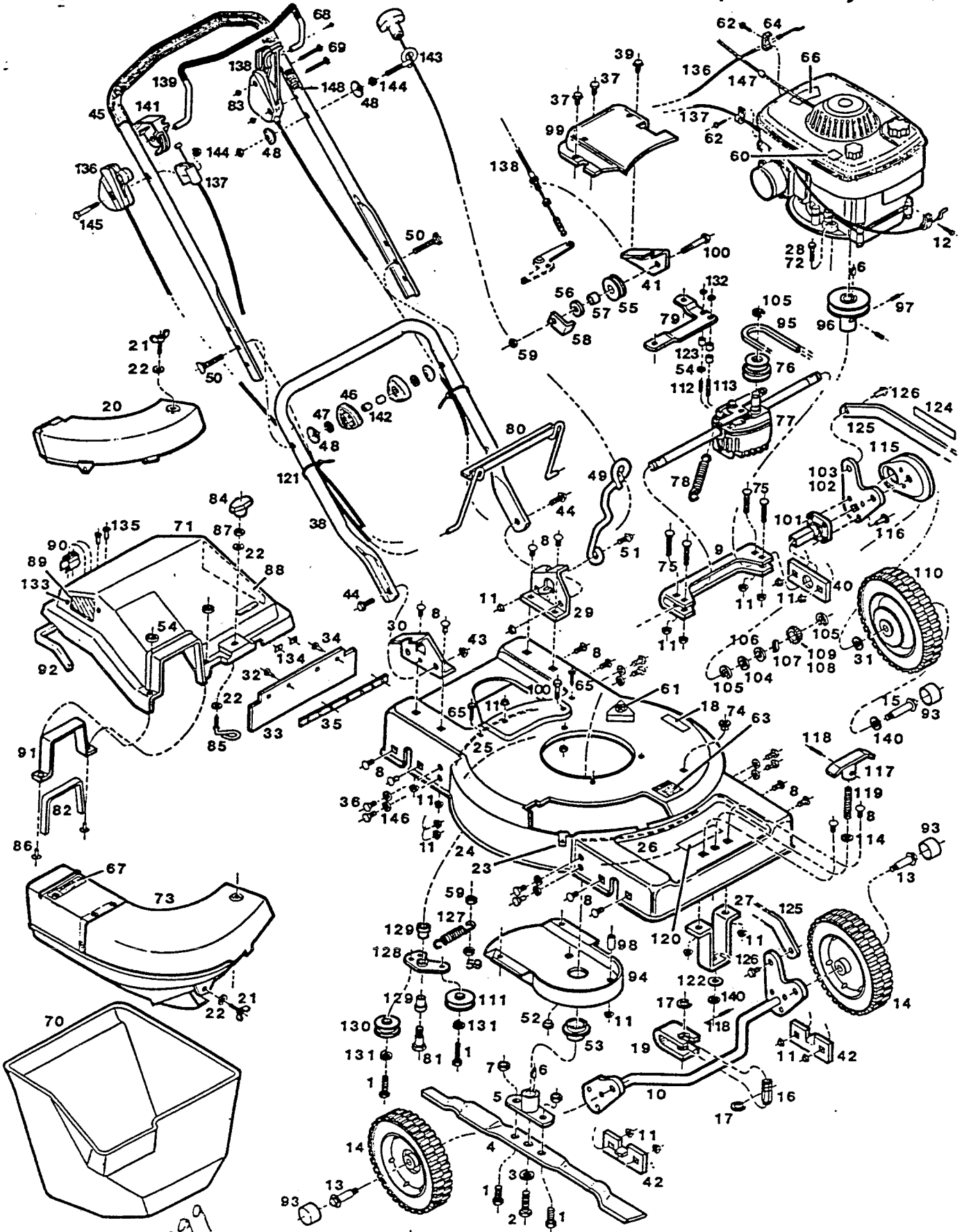


Model 141E
21" Self Propelled Rotary Mower



227199

**Model 141E
21" Self Propelled Rotary Mower**

PARTS LIST

| Item No. | Part No. | Description | Item No. | Part No. | Description |
|----------|----------|---------------------------------------|----------|----------|---------------------------------------|
| 1 | 457176 | Bolt - Hex 3/8 - 16 x 1-1/4 Gr. 5 | 75 | 151696 | Bolt - Carriage 5/16-18 x 1-3/4 Gr. 5 |
| 2 | 156232 | Bolt - Blade | 76 | 171108 | Sheave - Transmission |
| 3 | 311035 | Lockwasher - Split 1/2 | 77 | 171090 | Transmission Assembly |
| 4 | 030528 | Blade - 21 | 78 | 134544 | Spring - Transmission Return |
| 5 | 109256 | Coupling - Blade | 79 | 109421 | Bracket - Transmission |
| 6 | 150276 | Key - Woodruff #6 | 80 | 024935 | Support - Catcher |
| 7 | 715086 | Locknut - Hex 3/8-16 | 81 | 156588 | Bolt - Shoulder |
| 8 | 156364 | Bolt - Carriage 5/16-18 x 5/8 | 82 | 134445 | Seal - Door |
| 9 | 024992 | Channel - Rear Axle | 83 | 151985 | Nut - Hex #10-24 |
| 10 | 024976 | Axle Assembly - Front | 84 | 156299 | Knob - Catcher |
| 11 | 151340 | Locknut - Flange 5/16-18 | 85 | 156307 | Shaft - Connecting |
| 12 | 151613 | Bolt - Hex Sems #10-32 x 3/8 | 86 | 156810 | Rivet - Pop Special 3/16 |
| 13 | 156216 | Bolt - Wheel | 87 | 311052 | Nut - Hex 1/4-20 |
| 14 | 041418 | Wheel | 88 | 112011 | Screen - Large |
| 15 | 156570 | Bolt - Wheel | 89 | 112029 | Screen - Small |
| 16 | 091181 | Hub - Height Adjustment | 90 | 111963 | Clip - Handle |
| 17 | 156745 | Ring - Retaining 11/16 | 91 | 109504 | Support - Chute Opening |
| 18 | 001602 | Decal - Cutting Height Arrow | 92 | 134452 | Seal - Bag |
| 19 | 091173 | Channel - Height Adjustment | 93 | 112045 | Cap - Hub |
| 20 | 112052 | Cover - Deck* | 94 | 024968 | Cover - Idler |
| 21 | 156265 | Screw - Wing 1/4-20 x 3/4 | 95 | 171025 | V-Belt |
| 22 | 715300 | Washer - Flat 1/4 | 96 | 171082 | Sheave - Engine |
| 23 | 156281 | Nut - Speed 1/4 | 97 | 156497 | Screw - Set SQ Hd. 1/4-20 x 1/2 |
| 24 | 024828 | Deck - Self-propelled 21 | 98 | 156489 | Spacer - 21/64 ID x 1-11/64 |
| 25 | 012575 | Baffle - Rear | 99 | 024950 | Cover - Transmission |
| 26 | 024885 | Baffle - Front | 100 | 156455 | Bolt - Hex 1/4-20 x 1 Gr. 5 |
| 27 | 091165 | Bracket - Height Adjustment | 101 | 109413 | Hub - Wheel Arm |
| 28 | 156463 | Screw - Hex 5/16-18 x 2-3/4 Gr. 5 | 102 | 012526 | Arm - Wheel RH |
| 29 | 024869 | Bracket - Handle LH | 103 | 012534 | Arm - Wheel LH |
| 30 | 024851 | Bracket - Handle RH | 104 | 156620 | Washer - Flat 1/2 |
| 31 | 715417 | Washer - Flat 3/8 SAE | 105 | 151282 | Ring - Transmission Retaining |
| 32 | 715243 | Rivet - Pop 3/16 x 1/8 | 106 | 156638 | Washer - Flat 1/2 |
| 33 | 112136 | Shield - Trailing* | 107 | 171041 | Dog - Drive |
| 34 | 152389 | Rivet - 3/16 x 11/32 | 108 | 171058 | Gear - Drive RH |
| 35 | 109496 | Strip - Backing | 109 | 171066 | Gear - Drive LH |
| 36 | 450437 | Bolt - Hex 5/16-18 x 5/8 Gr. 5 | 110 | 041442 | Wheel w/Gear |
| 37 | 317008 | Screw - Whiz Lock 1/4-20 x 1/2 | 111 | 305367 | Pulley - Idler |
| 38 | 072405 | Handle - Lower | 112 | 156786 | Stud - Transmission Short |
| 39 | 154278 | Screw - Self-tapping 1/4-20 x 1/2 | 113 | 156802 | Stud - Transmission Long |
| 40 | 109520 | Support - Wheel Hub | 114 | 156612 | Washer - Wave 1/2 |
| 41 | 024984 | Bracket - Cable Support | 115 | 024943 | Cover - Drive Wheel |
| 42 | 109207 | Bracket - Axle | 116 | 764282 | Rivet - 1/4 x 5/8 |
| 43 | 156406 | Locknut - Flange 3/8-16 Gr. 5 | 117 | 111971 | Handle - Height Adjustment |
| 44 | 156414 | Bolt - Hex Flange 3/8-16 x 1 | 118 | 156778 | Pin - Roll 3/16 x 3/4 |
| 45 | 072348 | Handle - Upper w/Foam Grip | 119 | 091157 | Screw - Height Adjustment |
| 46 | 744284 | Knob - Handle | 120 | 001594 | Decal - Cutting Height Adjustment |
| 47 | 461665 | Lockwasher - Internal Tooth 5/16 | 121 | 110379 | Cable Tie |
| 48 | 150201 | Washer - Curved 5/16 | 122 | 156604 | Washer - Flat Nylon 1/2 |
| 49 | 109322 | Guide - Lower Rope | 123 | 156794 | Spacer - Transmission |
| 50 | 151936 | Bolt - Curved Head 5/16-18 x 2-1/4 | 124 | 001610 | Decal - Cutting Height Levels |
| 51 | 459131 | Bolt - Hex 5/16-18 x 1 | 125 | 012518 | Link - Height Adjustment |
| 52 | 112102 | Plug - Button | 126 | 156554 | Bolt - Shoulder 5/16 |
| 53 | 112094 | Shield - Dust | 127 | 134478 | Spring - Idler |
| 54 | 156273 | Washer - Flat #10 | 128 | 171033 | Arm - Idler |
| 55 | 171074 | Pulley - Drive Cable | 129 | 156653 | Bearing - Flange Nylon |
| 56 | 156661 | Washer - Flat 9/32 ID x 1-1/4 OD | 130 | 171124 | Pulley - Idler |
| 57 | 156679 | Spacer - 17/64 ID x 3/8 O.D. | 131 | 150185 | Lockwasher 3/8 |
| 58 | 171116 | Retainer - Cable | 132 | 715334 | Nut - Keps #10-24 |
| 59 | 715508 | Nut - Hex Top Lock 1/4-20 | 133 | 156331 | Rivet - Nylon 3/16 |
| 60 | 148411 | Decal - Warning Oil Overfill | 134 | 156844 | Nut - Push 1/8 |
| 61 | 143115 | Decal - Warning CPSC | 135 | 156349 | Rivet - Pop 1/8 x 1/4 |
| 62 | 150623 | Screw - Hex Slotted #10 x 5/8 | 136 | 051235 | Control - Throttle |
| 63 | 001818 | Decal - Warning Chute* | 137 | 051193 | Cable - Bail* |
| 64 | 150318 | Clamp - Cable | 138 | 051201 | Control - Drive |
| 65 | 156471 | Screw - Hex Self-tapping #10-16 x 1/2 | 139 | 109447 | Bail - Coated* |
| 66 | 001206 | Decal - Warning Blade Rotation* | 140 | 156596 | Washer - Flat 1/2 |
| 67 | 001800 | Decal - Warning Catcher* | 141 | 111526 | Actuator - Cable |
| 68 | 152181 | Screw - Retaining | 142 | 110064 | Cap - Bolt Plastic |
| 69 | 151944 | Screw - Machine #10-24 x 2 | 143 | 152371 | Guide - Rope Upper |
| 70 | 129023 | Frame & Bag Assembly* | 144 | 715037 | Nut - Keps 1/4-20 |
| 71 | 111997 | Top - Catcher* | 145 | 153874 | Bolt - Hex 1/4-20 x 2-1/4 |
| 72 | 156958 | Bolt - Hex 5/16-18 x 1-1/4 Gr. 5 | 146 | 715185 | Washer - Flat 5/16 |
| 73 | 129015 | Chute Cover & Body Assembly* | 147 | 152074 | Rope Stop |
| 74 | 156422 | Insert - Plastic 1/4 | 148 | 760074 | Decal - Engine Control |