

Ref. #	Part #	Description	Qty.
1	1918087	Handlebar Assy. (Incl. Refs. 2, 3, 4 & 5).....	1
2	777100008	Decal - On/Off Ignition Switch.....	1
3	777100007	Decal - Starting Stabilization.....	1
4	777100009	Decal - Throttle/Tines Control Lever Operation	1
5	1917451	Handlebar Grip, PVC	2
6	1917755	Throttle Lever and Cable	1
7	1750608	Pan Hd. Screw, #10-16 x 1-1/2.....	1
8	1731025	Saddle Hd. Screw, 5/16-18 x 2	2
9	1909775	Spacer, Throttle Lever	1
10	1983718	On/Off Ignition Switch.....	1
10A	1981012	Bracket - On/Off Ignition Switch	1
11	1766503	Phillips Hd. Screw, #12-24	1
12	1918051	Wire Assy. - On/Off Ignition Switch.....	1
13	1763682	Plastic Wire Tie	6
14	1917576	Lower Handlebar - Left-Side	1
15	1917575	Lower Handlebar - Right-Side.....	1
16	1909720	Foam Sleeve.....	1
17	1983663	Hex Hd. Screw, 1/4-20 x 5	2
18	710-0463	Flat Washer, 1/4-20.....	2
19	1110106	Hex Locknut, 1/4-20	5
20	*	Engine.....	1
21	1917531	Clutch Drum and Hub	1
22	1918124	Tine Shield (Incl. Refs. 23, 24, 25 & 26).....	1
23	777D06104	Decal - Logo	1
24	777S00012	Decal - Warning, Rotating Tines	1
25	777S30647	Decal - Warning, Hot Surfaces.....	1
26	777S00013	Decal - Caution, Operation Hazards	1
27	1186292	Hex Hd. Screw, #10-24 x 1/2	2
28	1186387	Flange Locknut, #10-24	2
29	736-0329	Lock Washer, 1/4-20.....	8
30	710-0501	Hex Cap Screw, 1/4-20 x 2.....	4
31	1909540	Outer Tine - Right-Hand Side	1

Ref. #	Part #	Description	Qty.
32	1909539	Inner Tine - Right-Hand Side	1
33	1909712	Outer Tine - Left-Hand Side	1
34	1909711	Inner Tine - Left-Hand Side.....	1
35	1909680	Wheel Bracket.....	1
36	GW-90077	Carriage Bolt	1
37	1909835	Knob	1
38	710-0597	Hex Hd. Screw, 1/4-20 x 1	3
39	1909517	Axle.....	1
40	1917754	Wheel.....	2
41	GW-9532	E-Ring.....	4
42	1185590	Ring Lock Pin	2
43	1981022	Tine Hood Cover	1
44	1763767	Knob	2
45	1177038	Lock Washer, 5/16	2
46	GW-90041	Hex. Hd. Screw, M6 x 20	4
47	1186332	Hex Flange Screw, 5/16-18 x 1-1/4.....	4
48	1917530	Adapter Plate - Engine	1
49	1917529	Adapter Plate - Transmission	1
50	1918365	Clutch Assy. (Incl. Refs. 55 and 56).....	1
51	**	Hex Hd. Screw, M8	2
52	**	Flat Washer, M8 x M17	2

EDGER ATTACHMENT

53	1903777	Edger Wheel.....	1
54	1903778	Bushing - Short	1
55	1983648	Bushing - Long	2
56	1915054	Edger Tine.....	1

OPTIONAL ATTACHMENTS

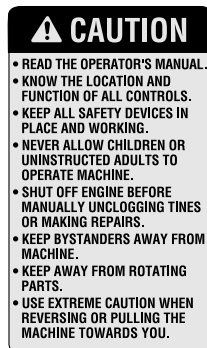
OEM-290-263	Power Lawn Rake Attachment	1
OEM-290-264	Lawn Aerator Attachment	1

* Order parts from your local authorized engine dealer. Refer to engine nameplate for model/type number.

** Not available separately.

SAFETY AND OPERATING DECALS

Decals are not shown at full size. See above Parts List for reordering information.



On top, left-side
tine shield



On top of handlebar



On rear, right-side
tine shield



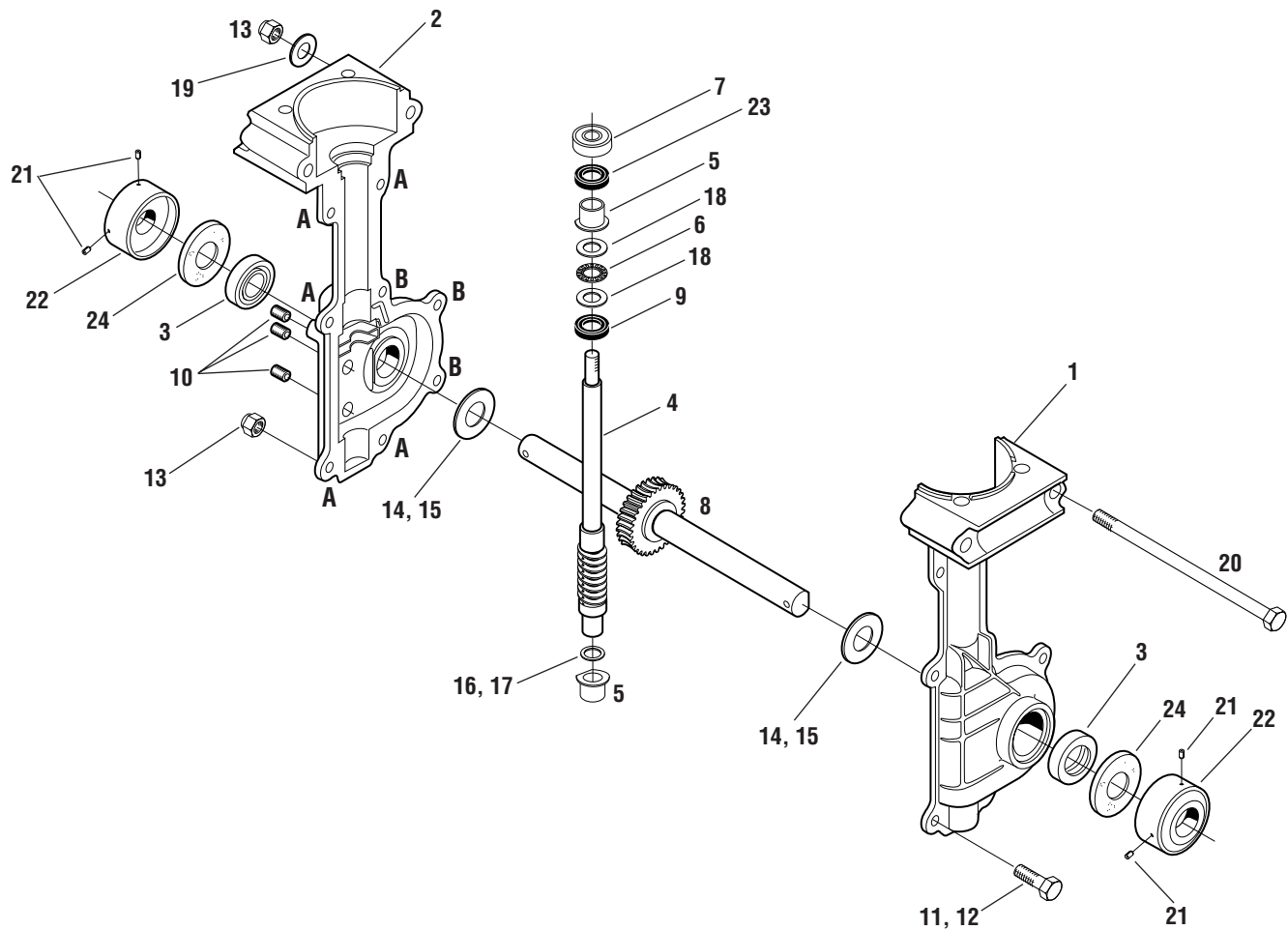
On rear, left-
side tine shield



On right-side handlebar



On right-side
handlebar



Transmission Assembly

Ref. #	Part #	Description	Qty.
1	1915039	Transmission Case - left-side. (Incl. pressed-in bushing)	1
2	1915040	Transmission Case - right-side. (Incl. pressed-in bushing)	1
3	1983632	Oil Seal	2
4	1918308	Worm Input Shaft Assembly	1
5	1983731	Input Bearing	2
6	1983636	Thrust Bearing	1
7	1983637	Ball Bearing	1
8	1904416	Shaft Assembly. (Incl. pressed-on worm gear and two ring lock pins)	1
9	1909923	Oil Seal, Input	1
10	1185741	Plug, 1/8	3
11	710-0206	Hex Screw, 1/4-20 x 7/8 (five locations, identified as "A" on transmission case)	5
12	710-0597	Hex Screw, 1/4-20 x 1 (three locations, identified as "B" on transmission case)	3

Ref. #	Part #	Description	Qty.
13	1110106	Locknut, Nyloc, 1/4-20	8
14	1983635	Thrust Washer, Output (.050")	A/R
15	1983640	Thrust Washer, Output (.040")	A/R
16	1983641	Thrust Washer, Input (.020")	A/R
17	1983642	Thrust Washer, Input (.035")	A/R
18	1983638	Thrust Washer	2
19	736-0463	Flat Washer, 1/4	2
20	1983663	Hex Hd. Screw, 1/4-20 x 5	2
21	1747166	Set Screw, 1/4-28 x 3/8	4
22	1915055	Dust Cover	2
23	1918052	Oil Seal, Input	1
24	1983713	Felt Washer	2

A/R – As Required